



US00D612638S

(12) **United States Design Patent**
Pini

(10) **Patent No.:** **US D612,638 S**

(45) **Date of Patent:** **** *Mar. 30, 2010**

(54) **TABLE**

D283,864 S * 5/1986 Bergelin D6/484
5,318,260 A * 6/1994 Kemnitz 248/188.91
D404,596 S * 1/1999 Luong et al. D6/484

(75) Inventor: **Belisario Pini**, Florence (IT)

(73) Assignee: **STEAB S.p.A.**, Florence (IT)

(*) Notice: This patent is subject to a terminal disclaimer.

* cited by examiner

Primary Examiner—Janice E Seeger
(74) *Attorney, Agent, or Firm*—McGlew and Tuttle, P.C.

(**) Term: **14 Years**

(57) **CLAIM**

(21) Appl. No.: **29/327,594**

The ornamental design for a table, as shown and described.

(22) Filed: **Nov. 10, 2008**

DESCRIPTION

(51) **LOC (9) Cl.** **06-03**

(52) **U.S. Cl.** **D6/488; D6/485**

(58) **Field of Classification Search** D6/480–489,
D6/495–499, 429–431, 349; 108/153.1,
108/155, 156, 161; 248/188, 188.1, 188.8
See application file for complete search history.

FIG. 1 is a perspective view of my table design;

FIG. 2 is a top view thereof;

FIG. 3 is a bottom view thereof;

FIG. 4 is a front side view thereof;

FIG. 5 is a rear side view thereof;

FIG. 6 is a right side view thereof; and,

FIG. 7 is a left side view thereof.

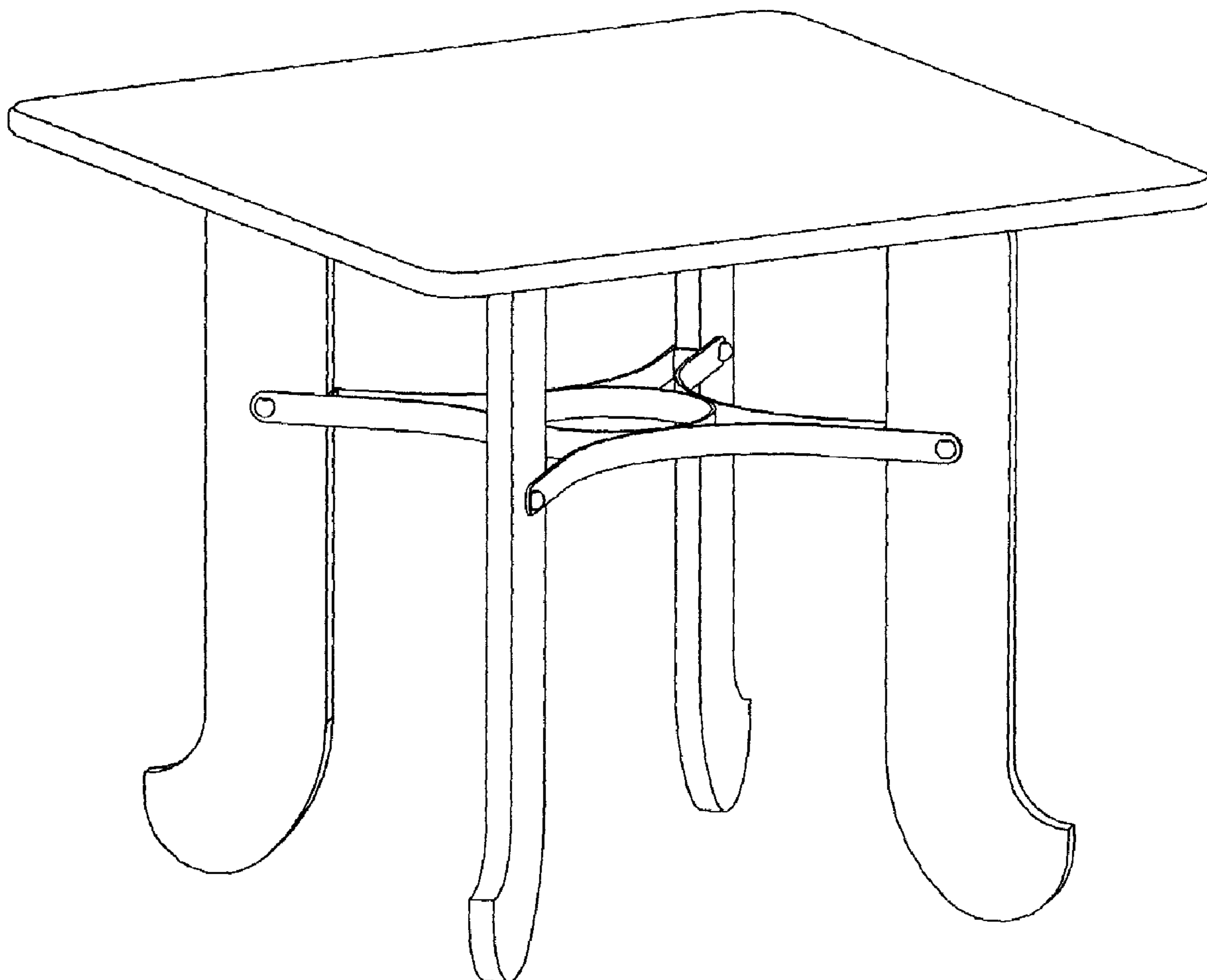
(56) **References Cited**

U.S. PATENT DOCUMENTS

D214,672 S * 7/1969 Ricca D6/488

D217,474 S * 5/1970 Craddock D6/485

1 Claim, 7 Drawing Sheets



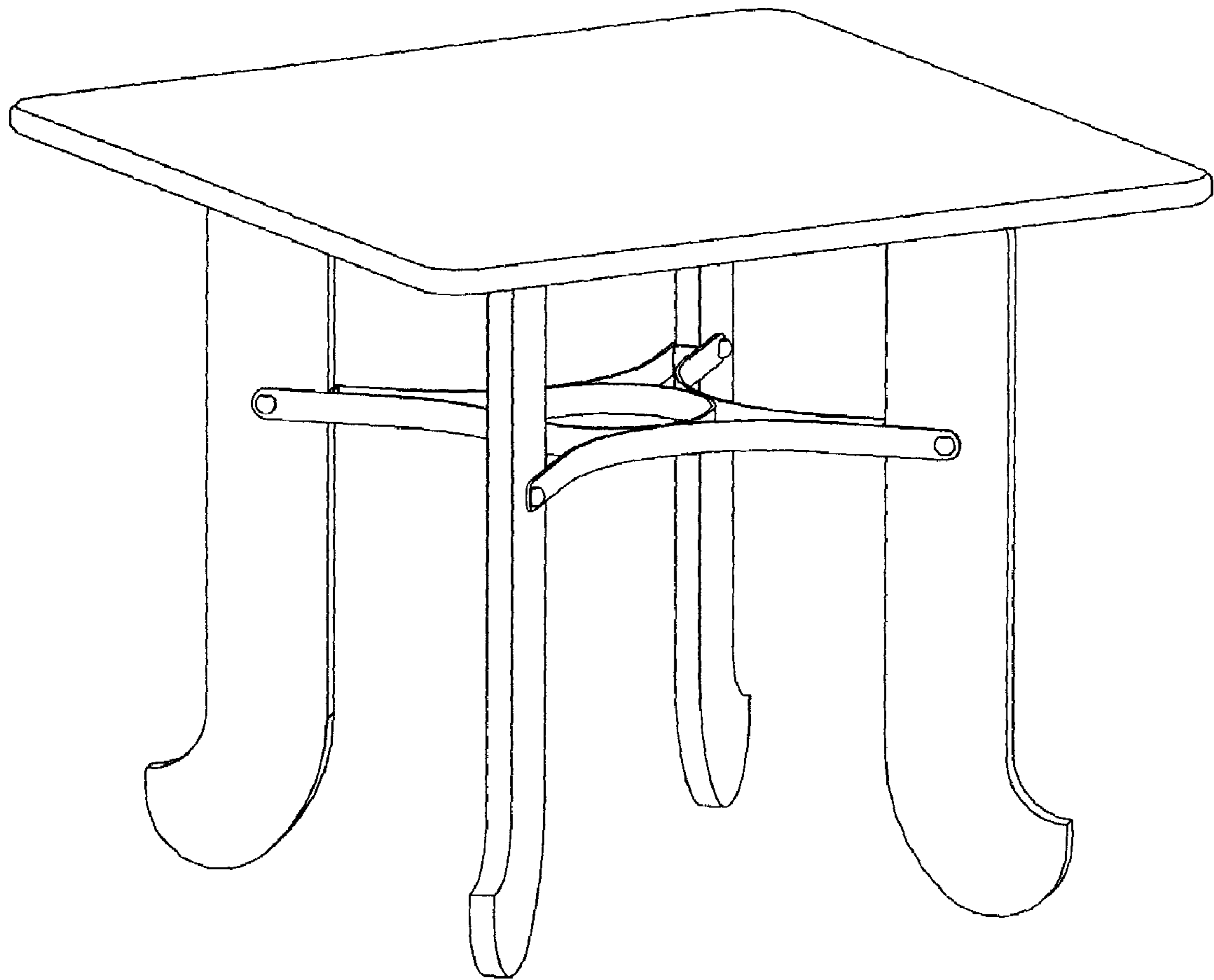


FIG.1

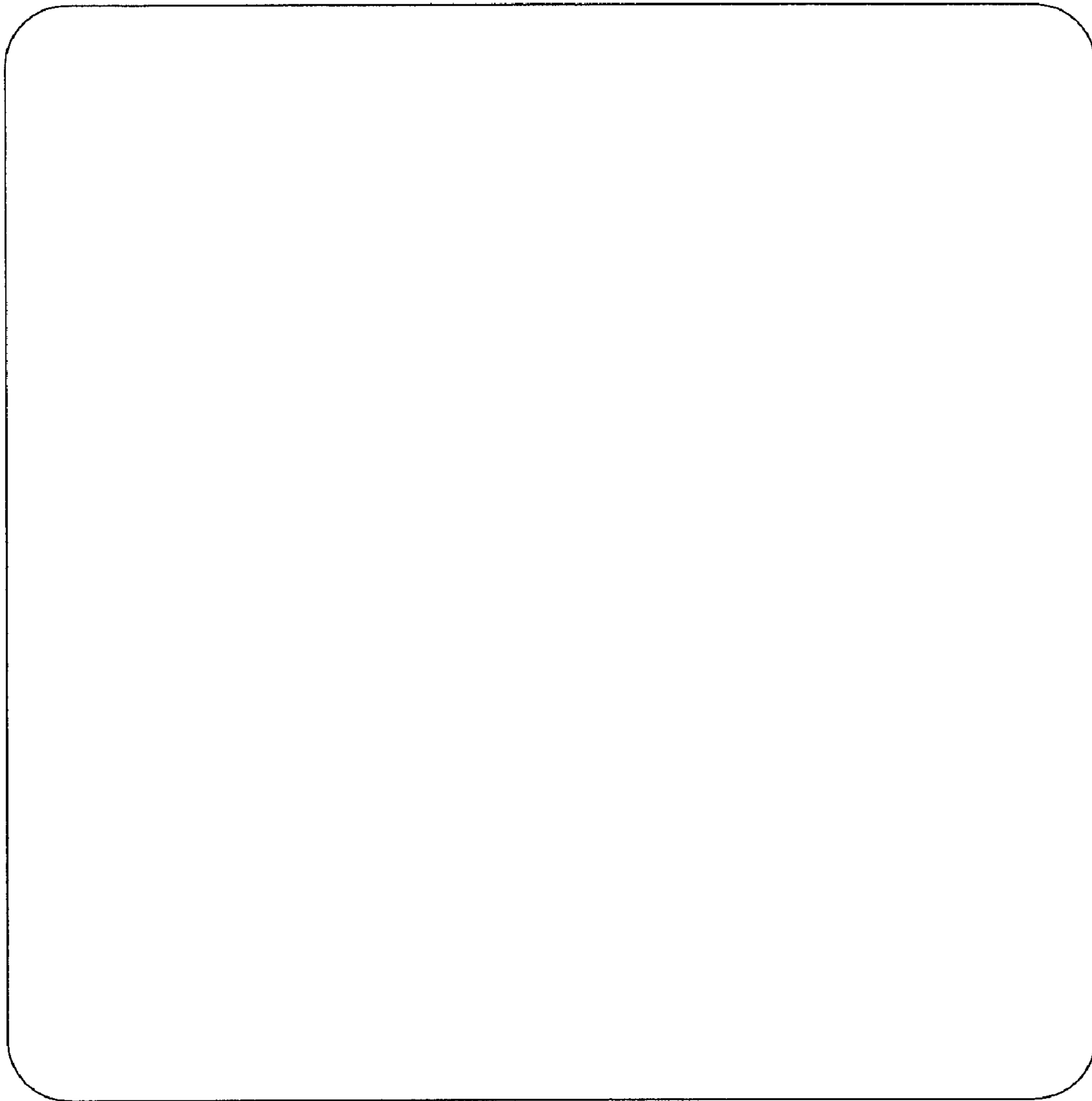


FIG.2

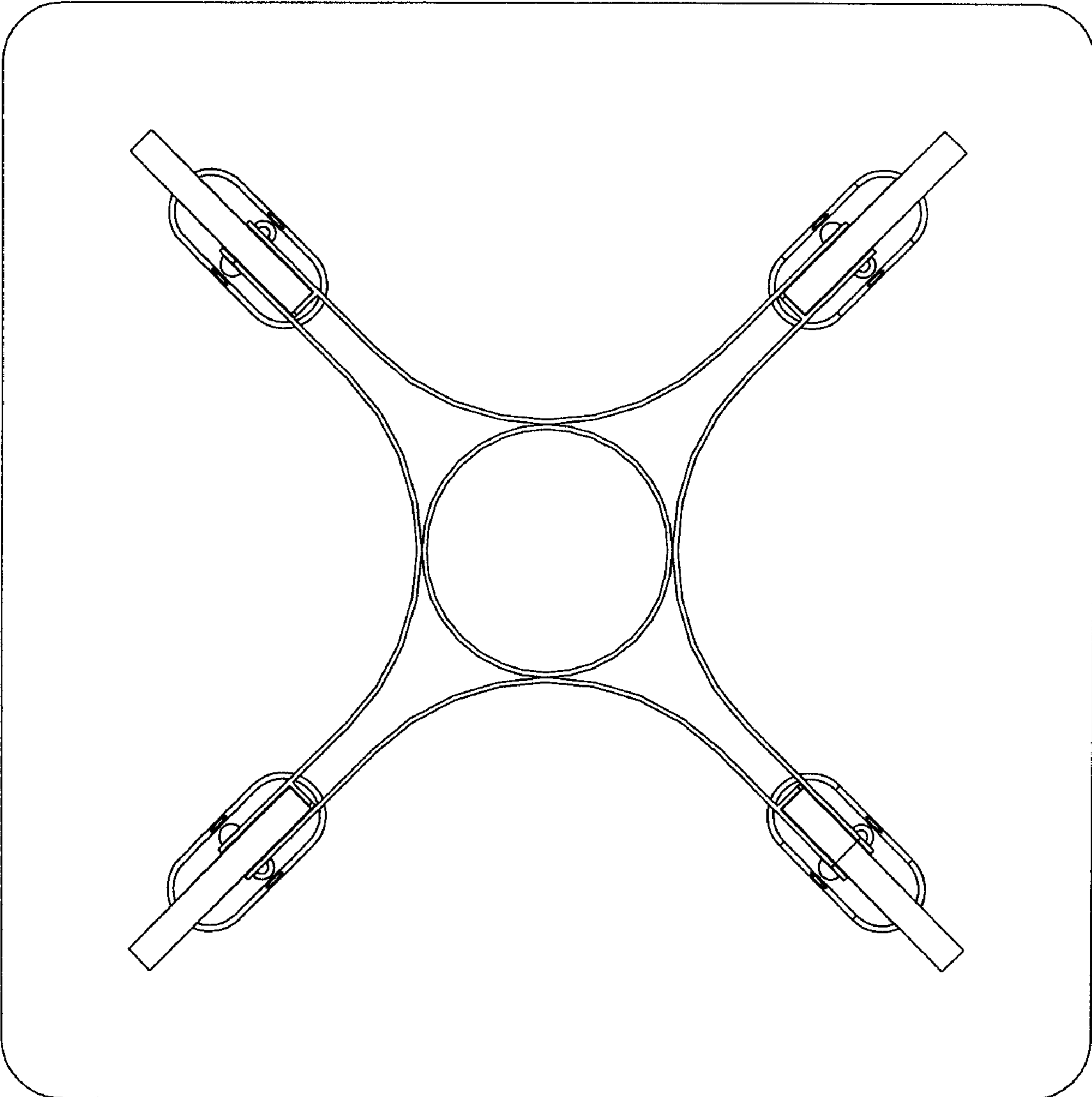


FIG.3

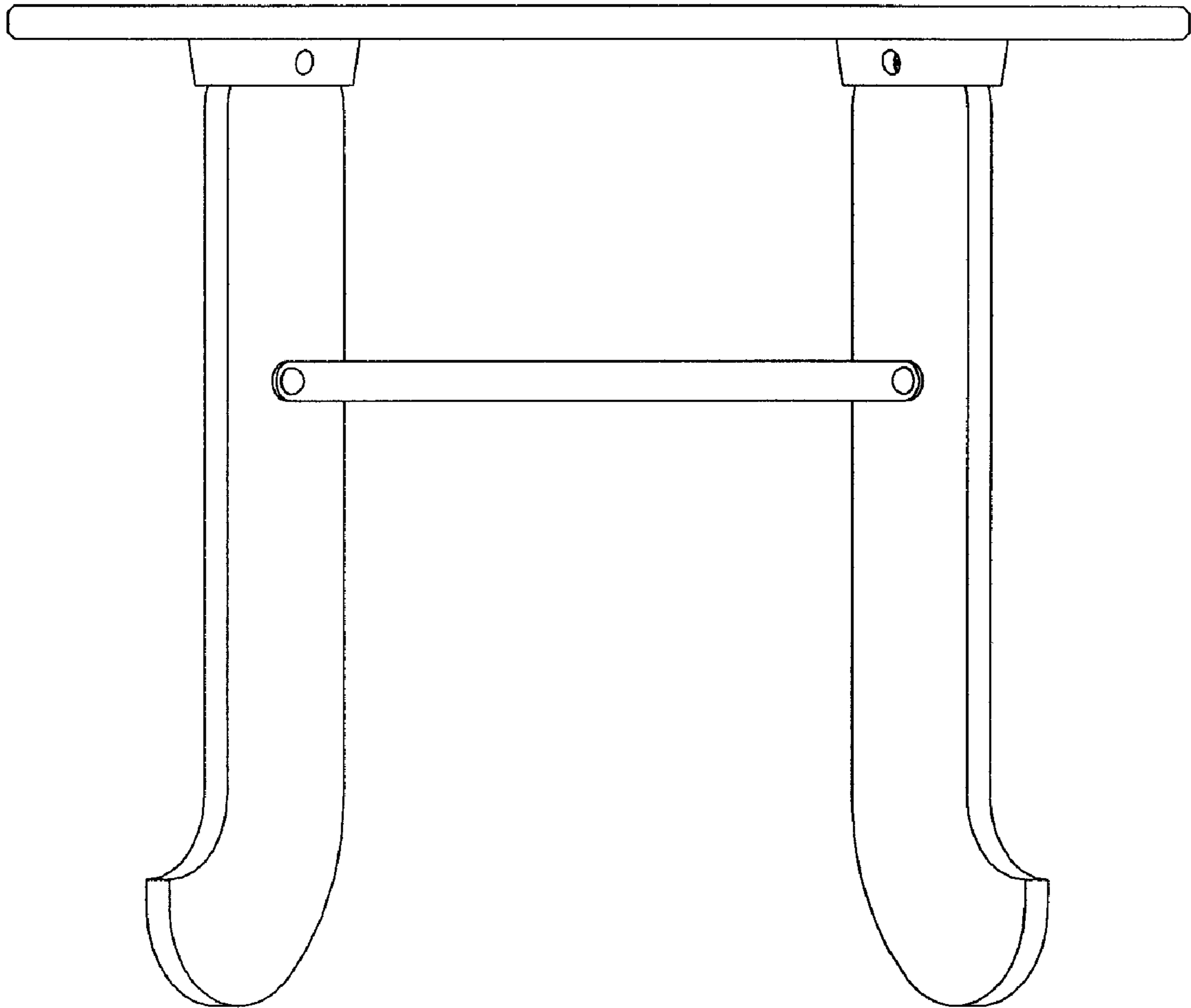


FIG. 4

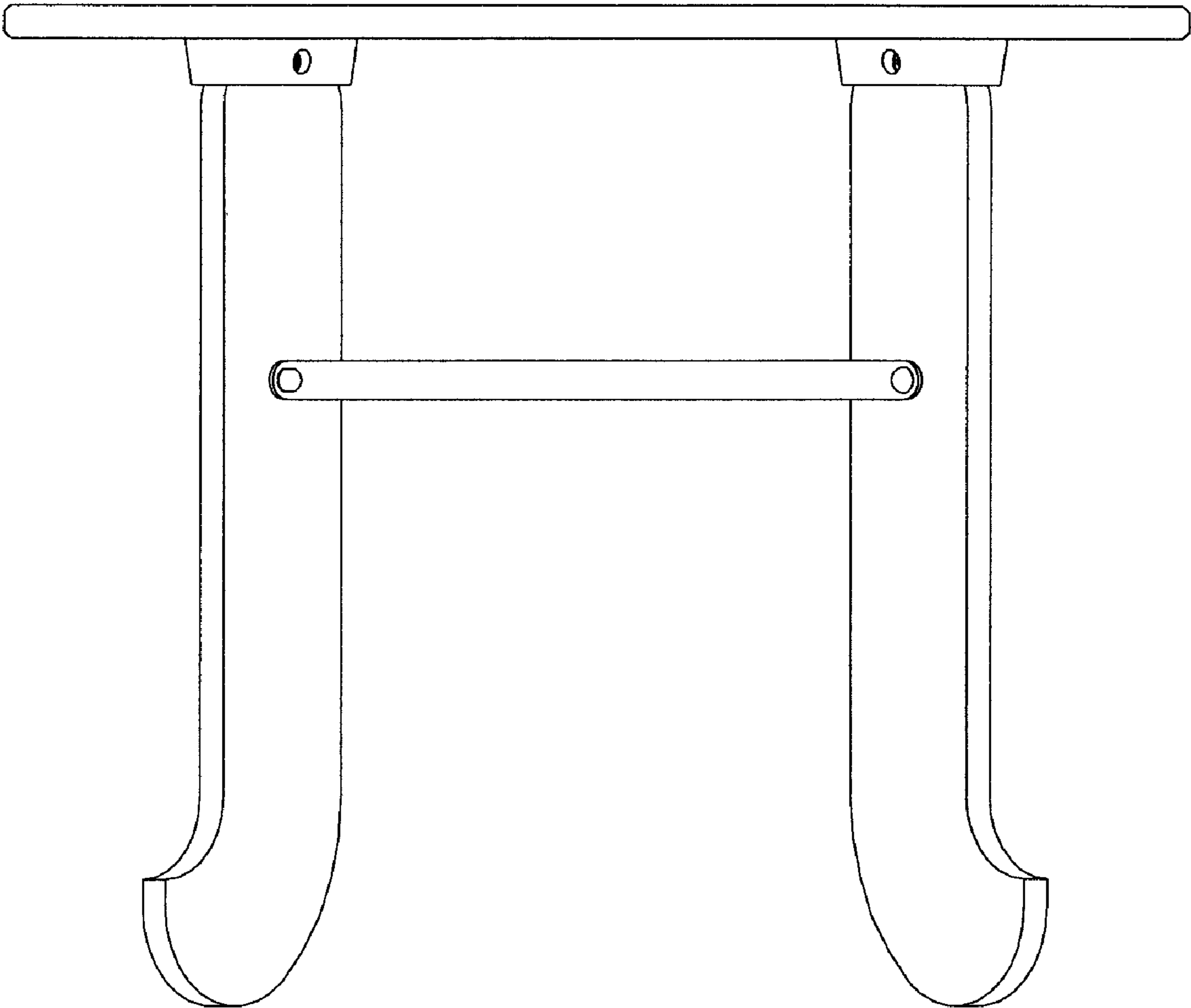


FIG.5

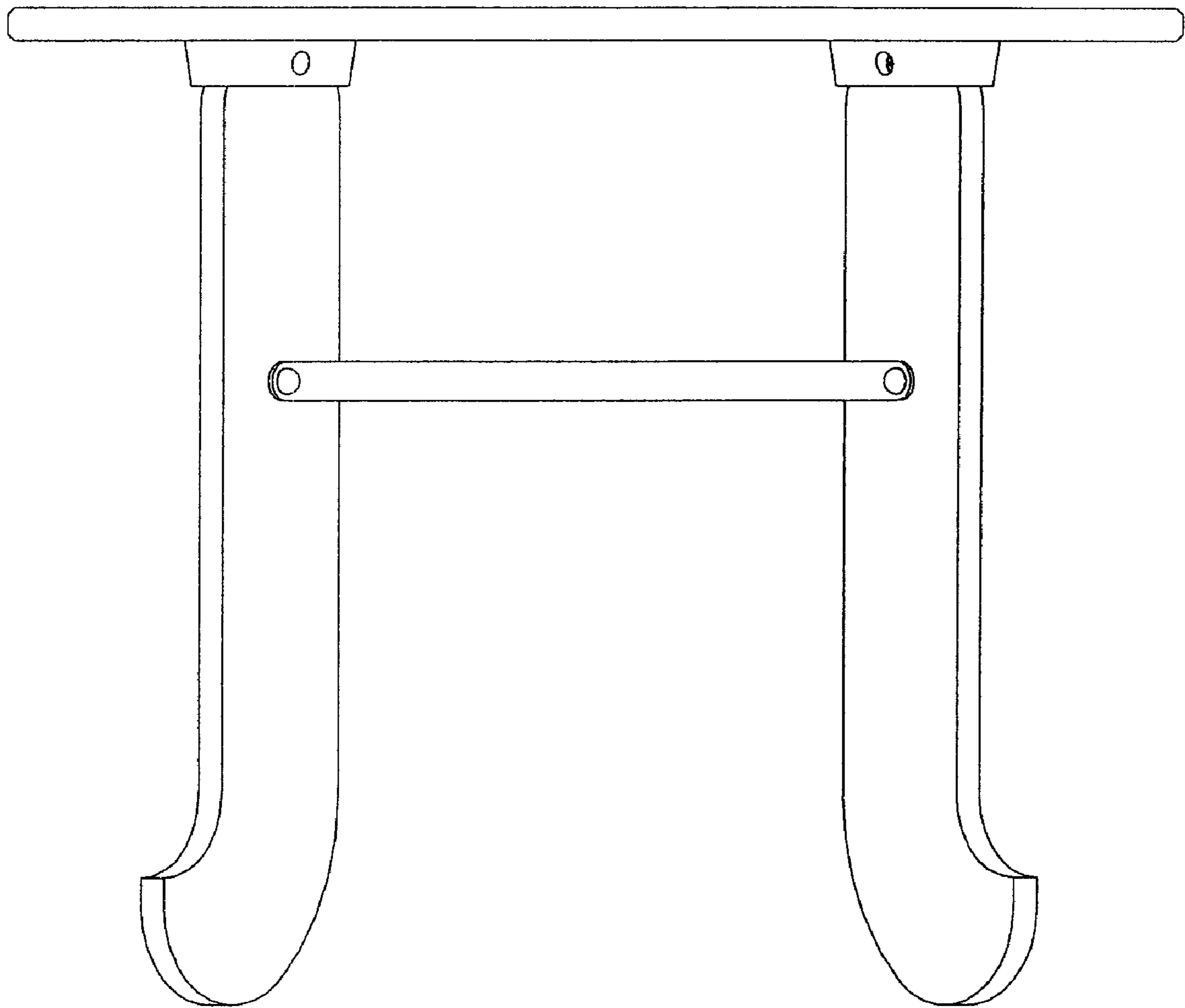


FIG.6

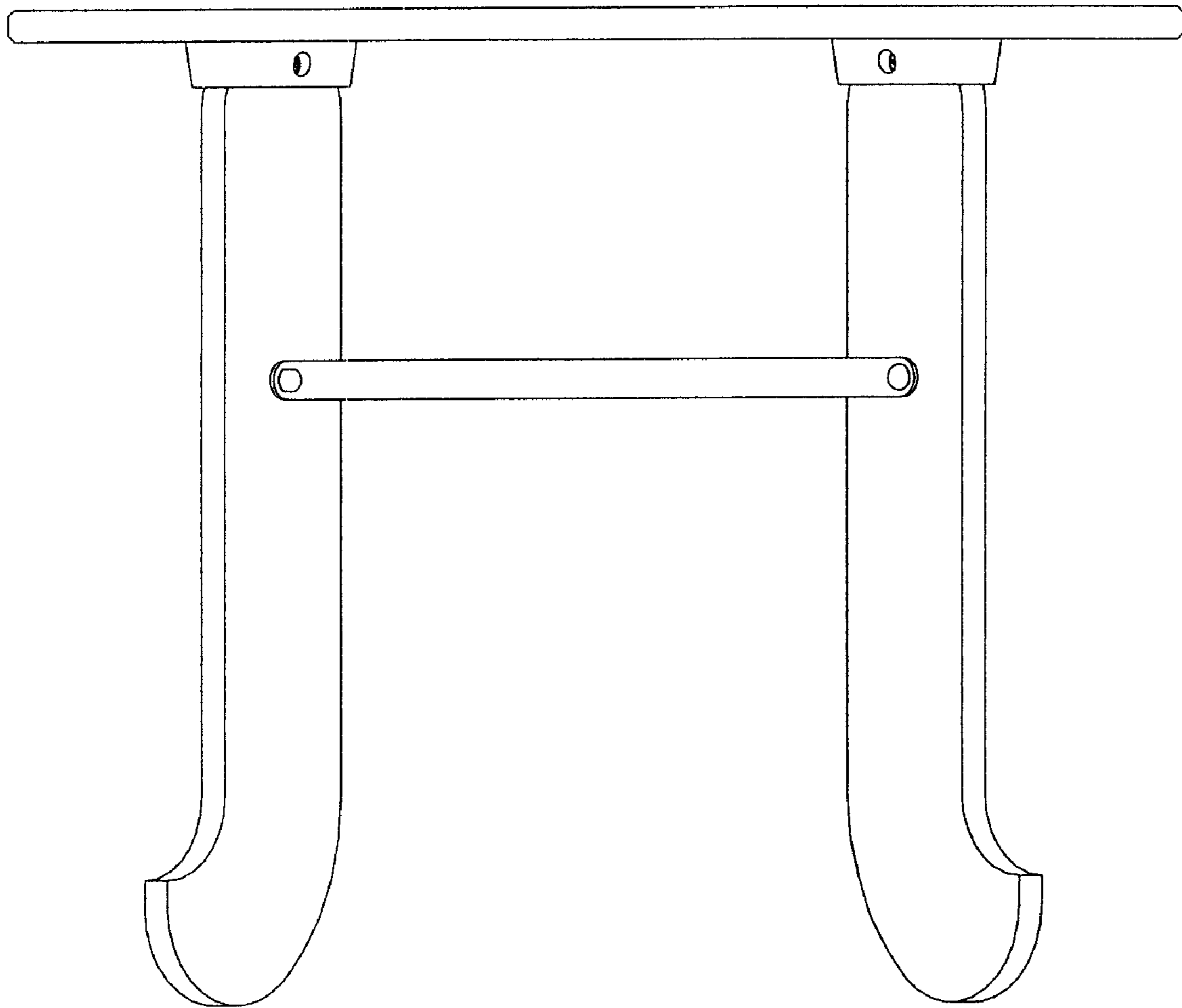


FIG. 7