



US00D612636S

(12) **United States Design Patent**  
**Auberger**

(10) **Patent No.:** **US D612,636 S**  
(45) **Date of Patent:** **\*\* Mar. 30, 2010**

(54) **ACTIVITIES TABLE WITH CURVED LEGS**

D571,127 S \* 6/2008 Cartwright ..... D6/480  
D604,963 S \* 12/2009 Potter ..... D6/480  
2006/0180055 A1\* 8/2006 Mulmed ..... 108/64

(75) Inventor: **Benoit Auberger**, La Meilleraie Tillay  
(FR)

\* cited by examiner

(73) Assignee: **WESCO Company**, Cerizay (FR)

*Primary Examiner*—Janice E Seeger

(\*\*) Term: **14 Years**

(74) *Attorney, Agent, or Firm*—Vic Lin; Myers Andras  
Sherman LLP

(21) Appl. No.: **29/340,257**

(57) **CLAIM**

(22) Filed: **Jul. 15, 2009**

I claim the ornamental design for an activities table with  
curved legs, as shown and described.

(51) **LOC (9) Cl.** ..... **06-03**

(52) **U.S. Cl.** ..... **D6/480; D6/482**

(58) **Field of Classification Search** ..... D6/480–489,  
D6/429–431, 495–499, 511; 108/150, 152,  
108/153.1, 157.1, 161, 25, 33; 248/188,  
248/188.1, 188.7, 188.8, 407; D21/397  
See application file for complete search history.

**DESCRIPTION**

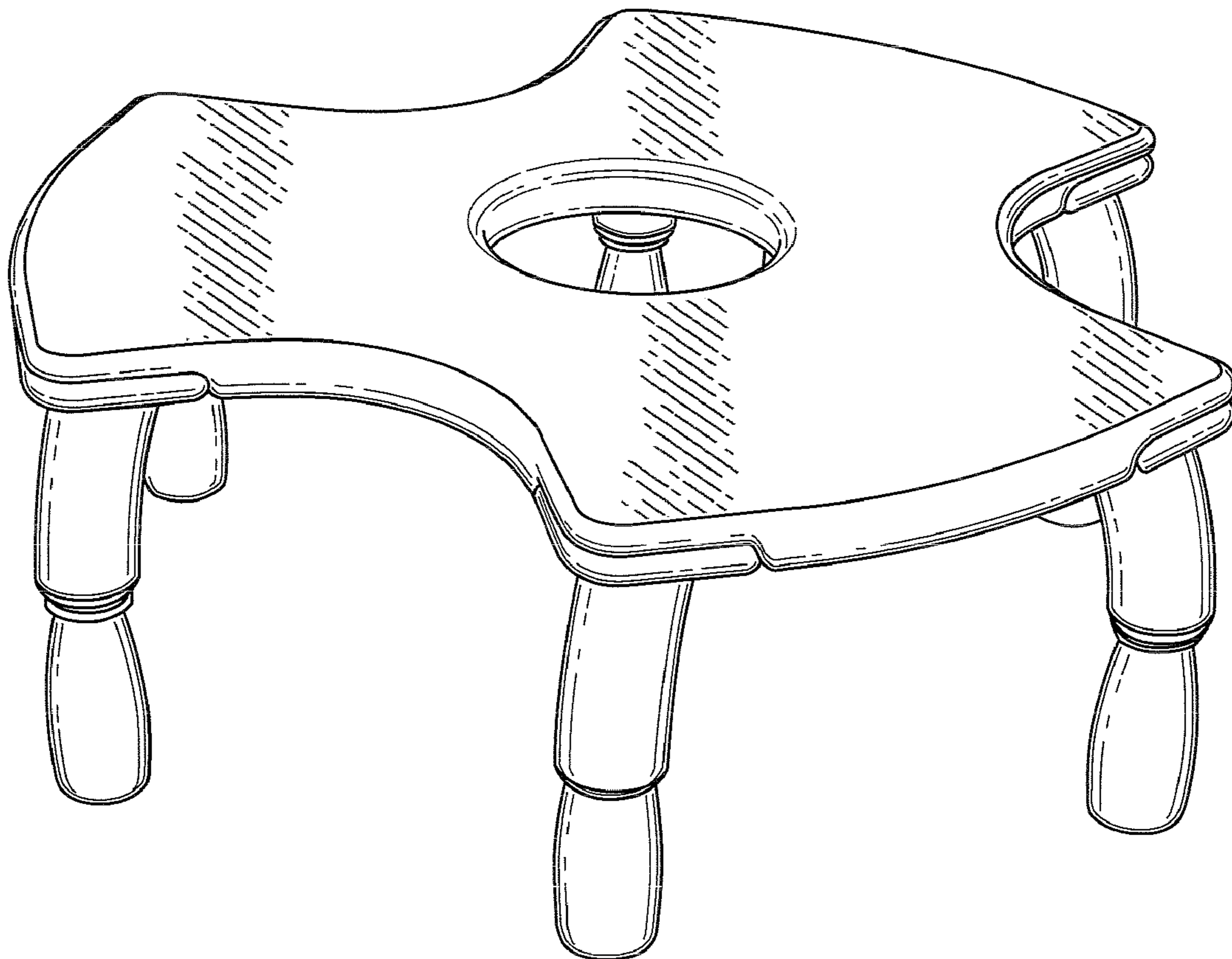
(56) **References Cited**

**U.S. PATENT DOCUMENTS**

D175,790 S \* 10/1955 McCann ..... D6/488  
D178,297 S \* 7/1956 Little ..... D6/485  
3,004,571 A \* 10/1961 Gerbrandt ..... 269/302  
D395,771 S \* 7/1998 Kelly et al. .... D6/480  
D395,772 S \* 7/1998 Malvasi ..... D6/480

FIG. 1 is a perspective view of an activities table with curved  
legs;  
FIG. 2 is a top plan view of the table;  
FIG. 3 is a bottom plan view of the table;  
FIG. 4 is a left elevation view of the table;  
FIG. 5 is a right elevation view of the table;  
FIG. 6 is a front elevation view of the table; and,  
FIG. 7 is a rear elevation view of the table.

**1 Claim, 5 Drawing Sheets**



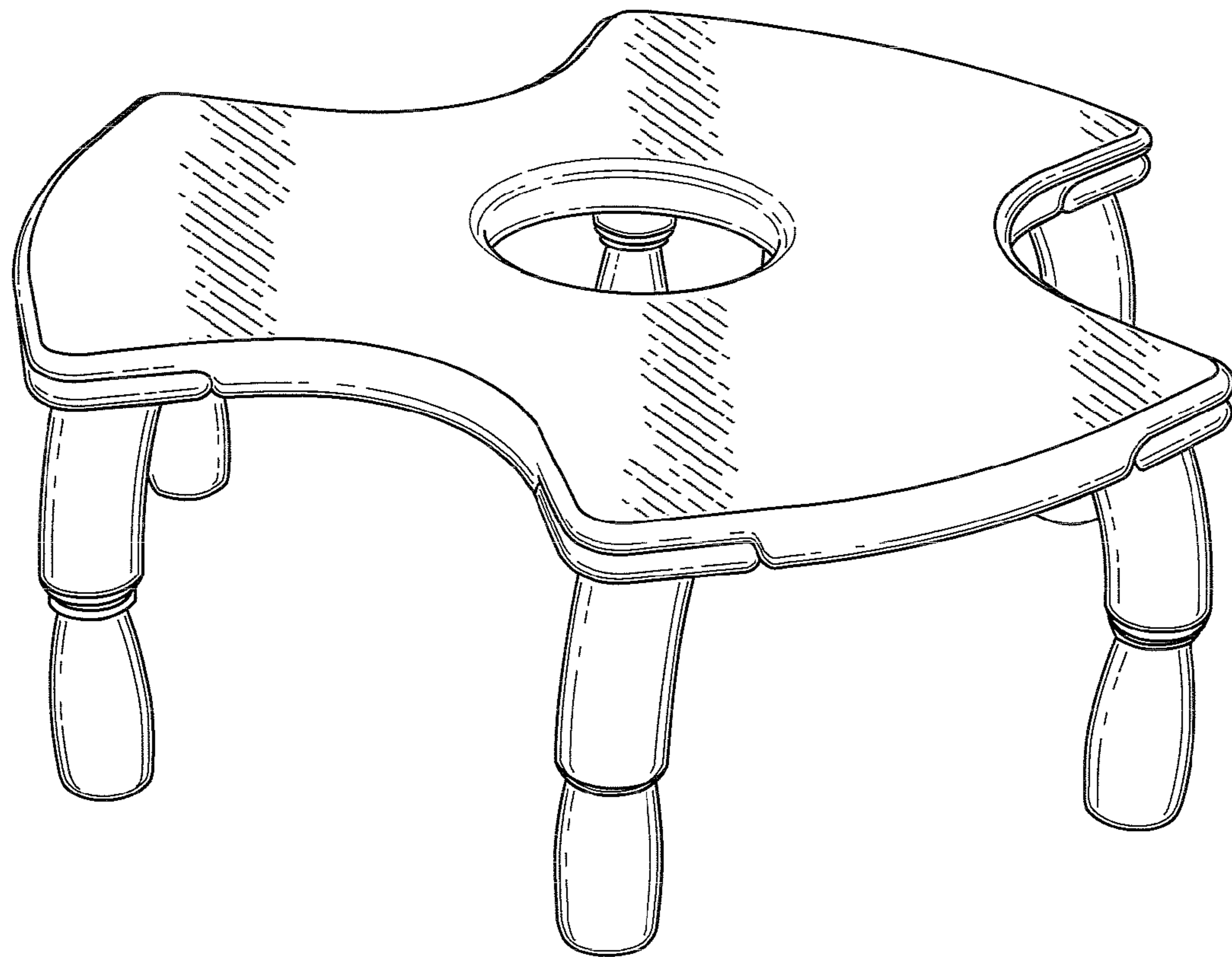


FIG. 1

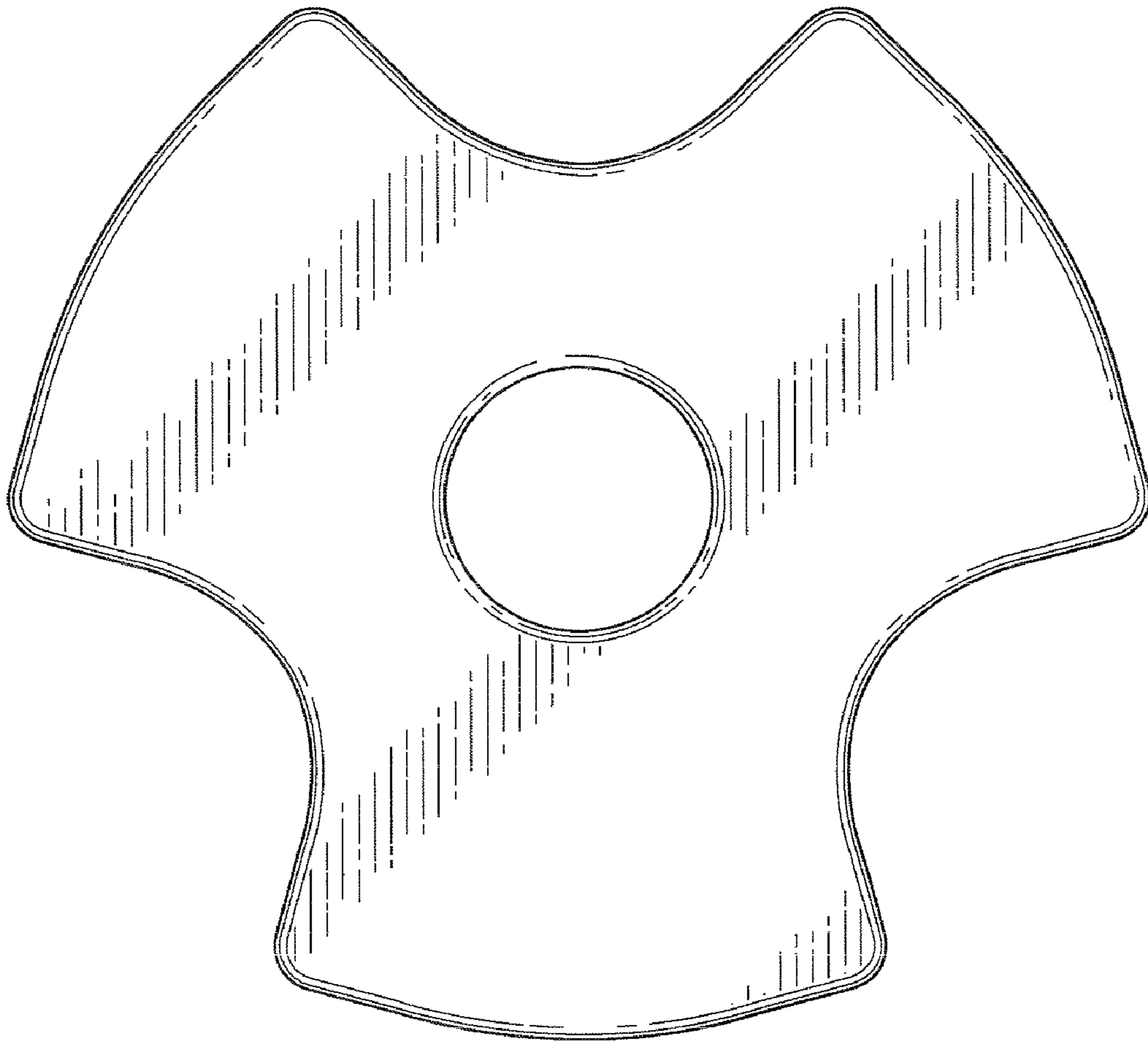


FIG. 2

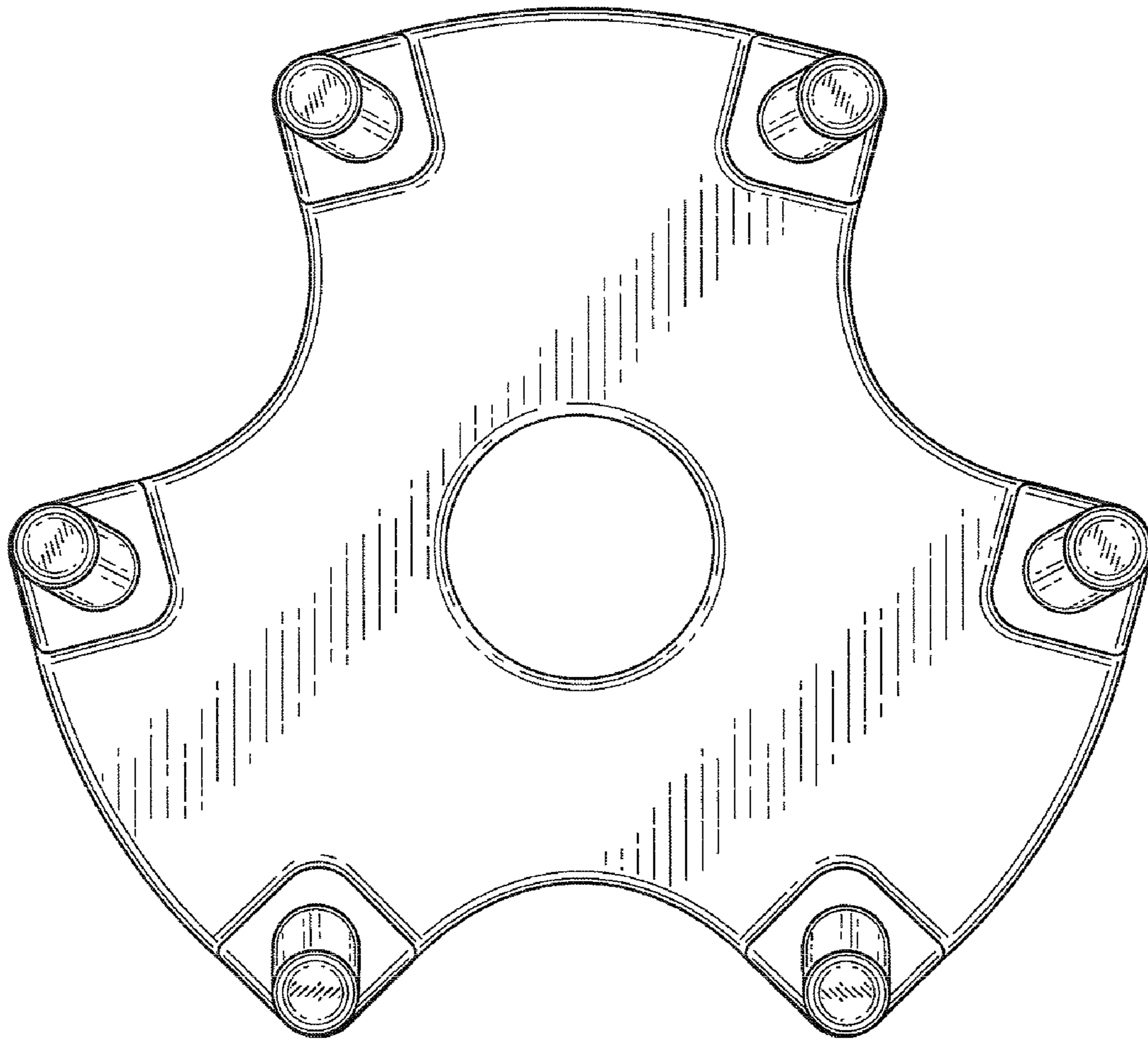


FIG. 3



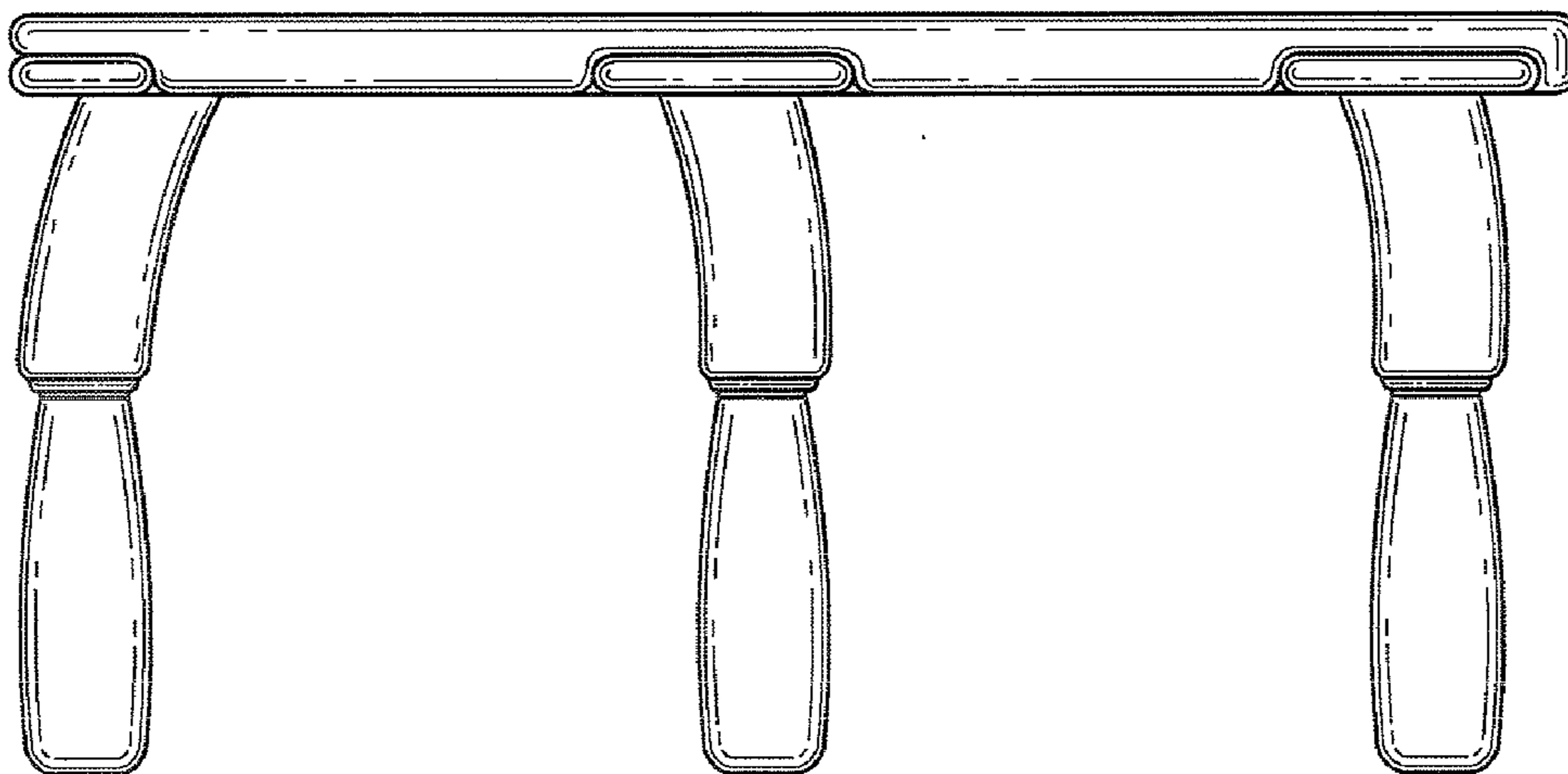


FIG. 4

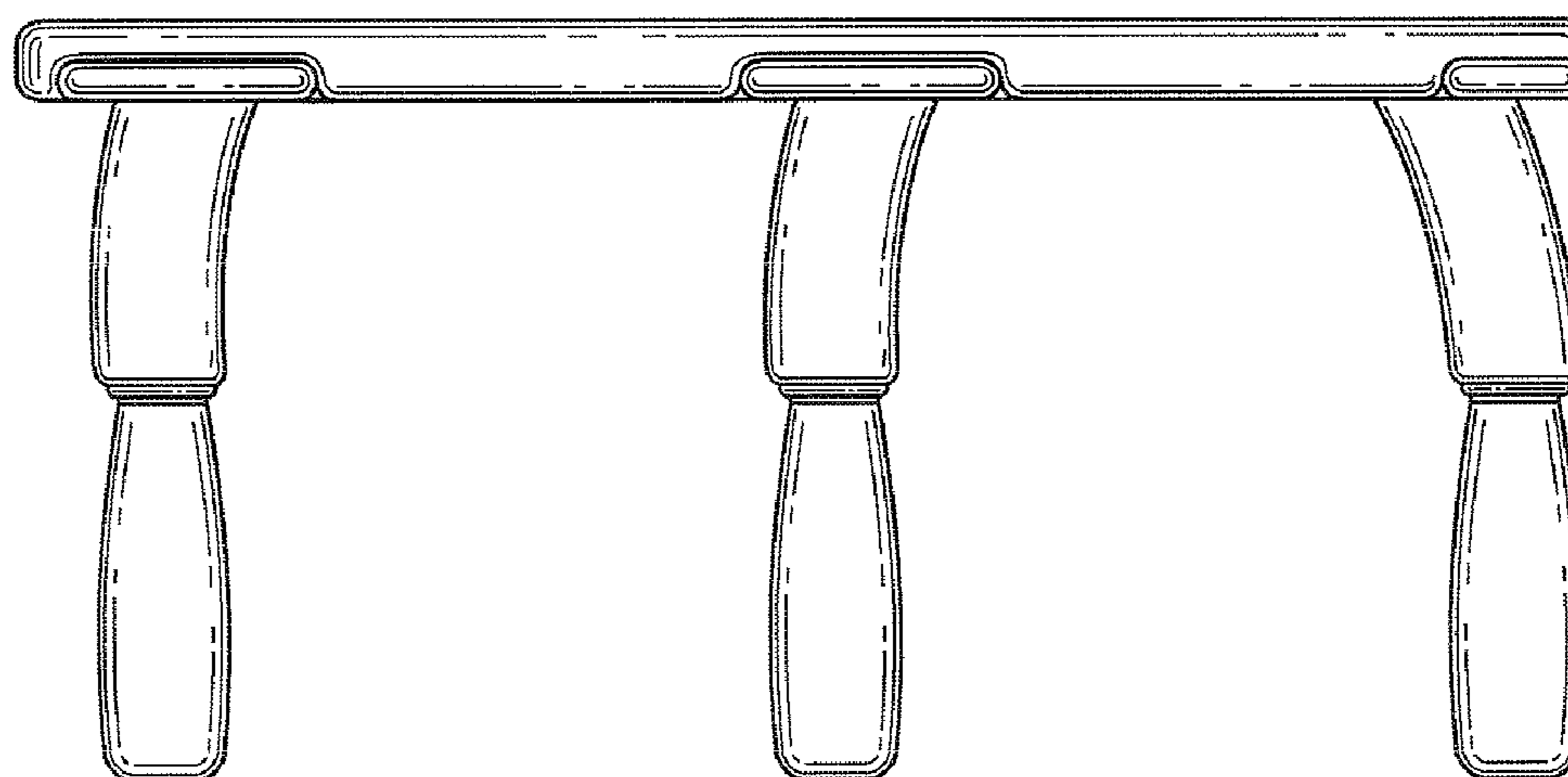


FIG. 5

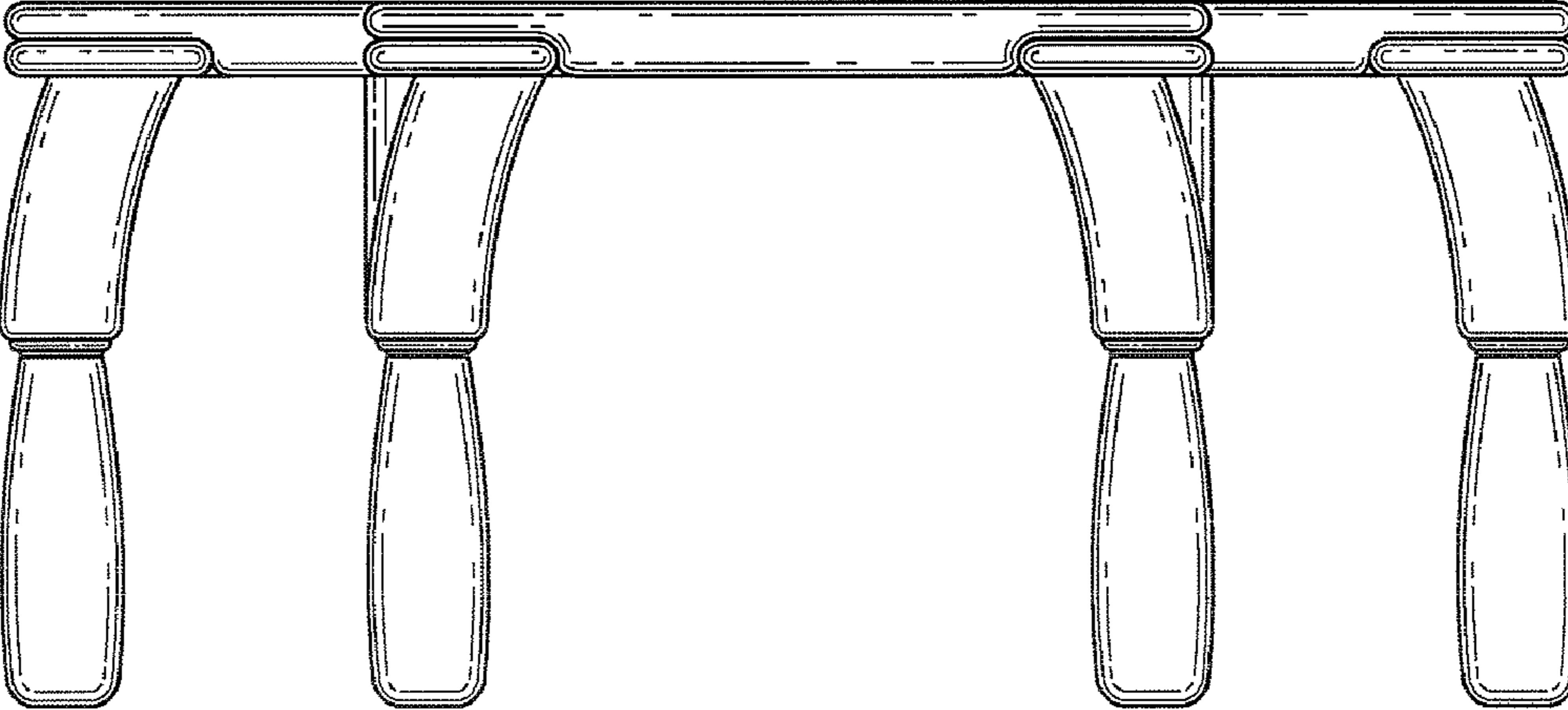


FIG. 6

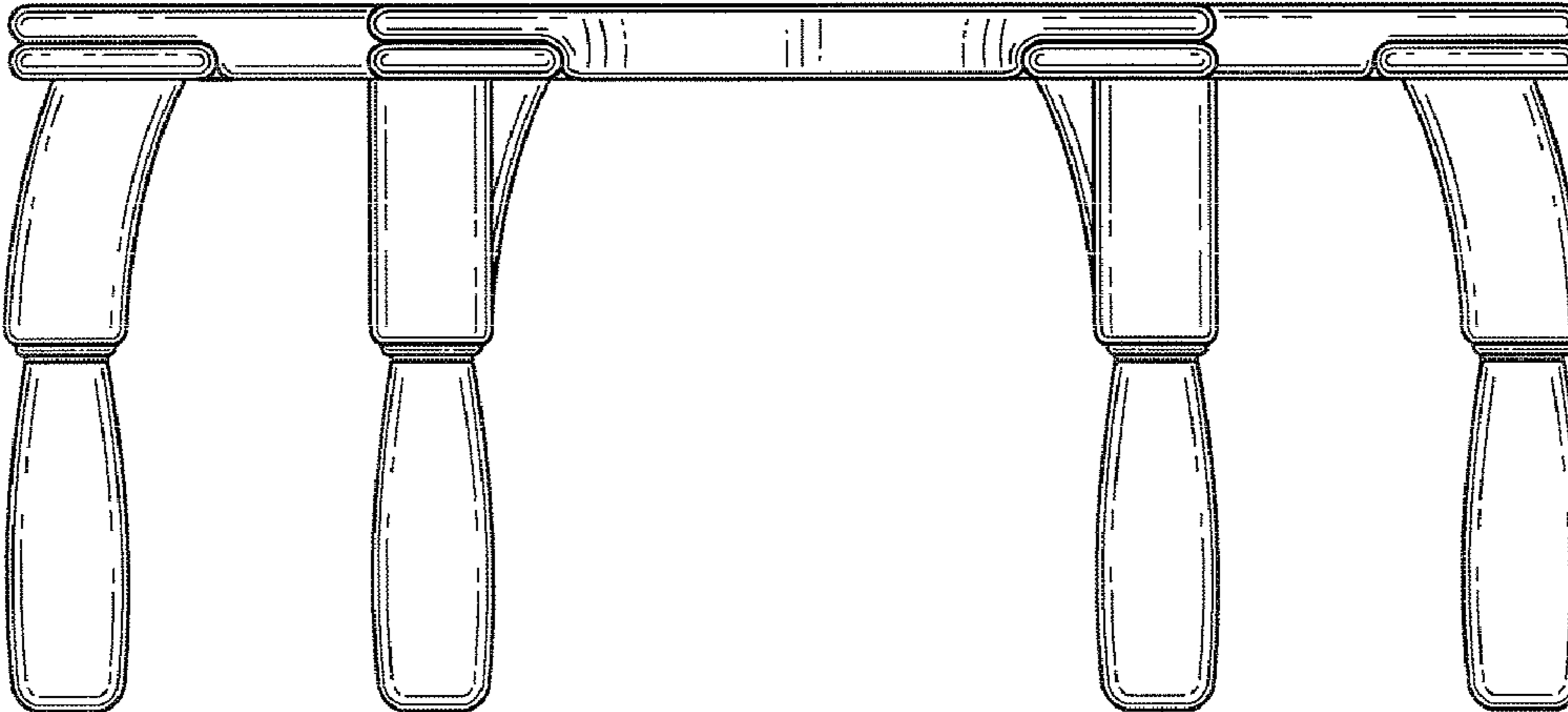


FIG. 7