



US00D612635S

(12) **United States Design Patent**
Auberger

(10) **Patent No.:** **US D612,635 S**
(45) **Date of Patent:** **** Mar. 30, 2010**

(54) **RECTANGULAR TABLE WITH CURVED LEGS**

(75) Inventor: **Benoit Auberger**, La Meilleraie Tillay (FR)

(73) Assignee: **WESCO Company**, Cerizay (FR)

(**) Term: **14 Years**

(21) Appl. No.: **29/340,253**

(22) Filed: **Jul. 15, 2009**

(51) **LOC (9) Cl.** **06-03**

(52) **U.S. Cl.** **D6/480**

(58) **Field of Classification Search** D6/480-489,
D6/429-431, 495-499, 511; 108/150, 152,
108/153.1, 157.1, 161, 25, 33; 248/188,
248/188.1, 188.7, 188.8, 407; D21/397

See application file for complete search history.

(56) **References Cited**

U.S. PATENT DOCUMENTS

| | | | | | | |
|-----------|---|---|---------|--------------|-------|---------|
| 3,004,571 | A | * | 10/1961 | Gerbrandt | | 269/302 |
| D252,431 | S | * | 7/1979 | Pfister | | D6/484 |
| D294,318 | S | * | 2/1988 | Zapf | | D6/484 |
| D395,771 | S | * | 7/1998 | Kelly et al. | | D6/480 |
| D432,334 | S | * | 10/2000 | Risdall | | D6/487 |
| D571,127 | S | * | 6/2008 | Cartwright | | D6/480 |

* cited by examiner

Primary Examiner—Janice E Seeger

(74) *Attorney, Agent, or Firm*—Vic Lin; Myers Andras Sherman LLP

(57) **CLAIM**

I claim the ornamental design for a rectangular table with curved legs, as shown and described.

DESCRIPTION

FIG. 1 is a perspective view of a first embodiment of a rectangular table with curved legs;

FIG. 2 is a top plan view of the first embodiment of the table;

FIG. 3 is a bottom plan view of the first embodiment of the table;

FIG. 4 is a left elevation view of the first embodiment of the table, the right side of which is identical;

FIG. 5 is a front elevation view of the first embodiment of the table, the rear of which is identical;

FIG. 6 is a perspective view of a second embodiment of a rectangular table with curved legs;

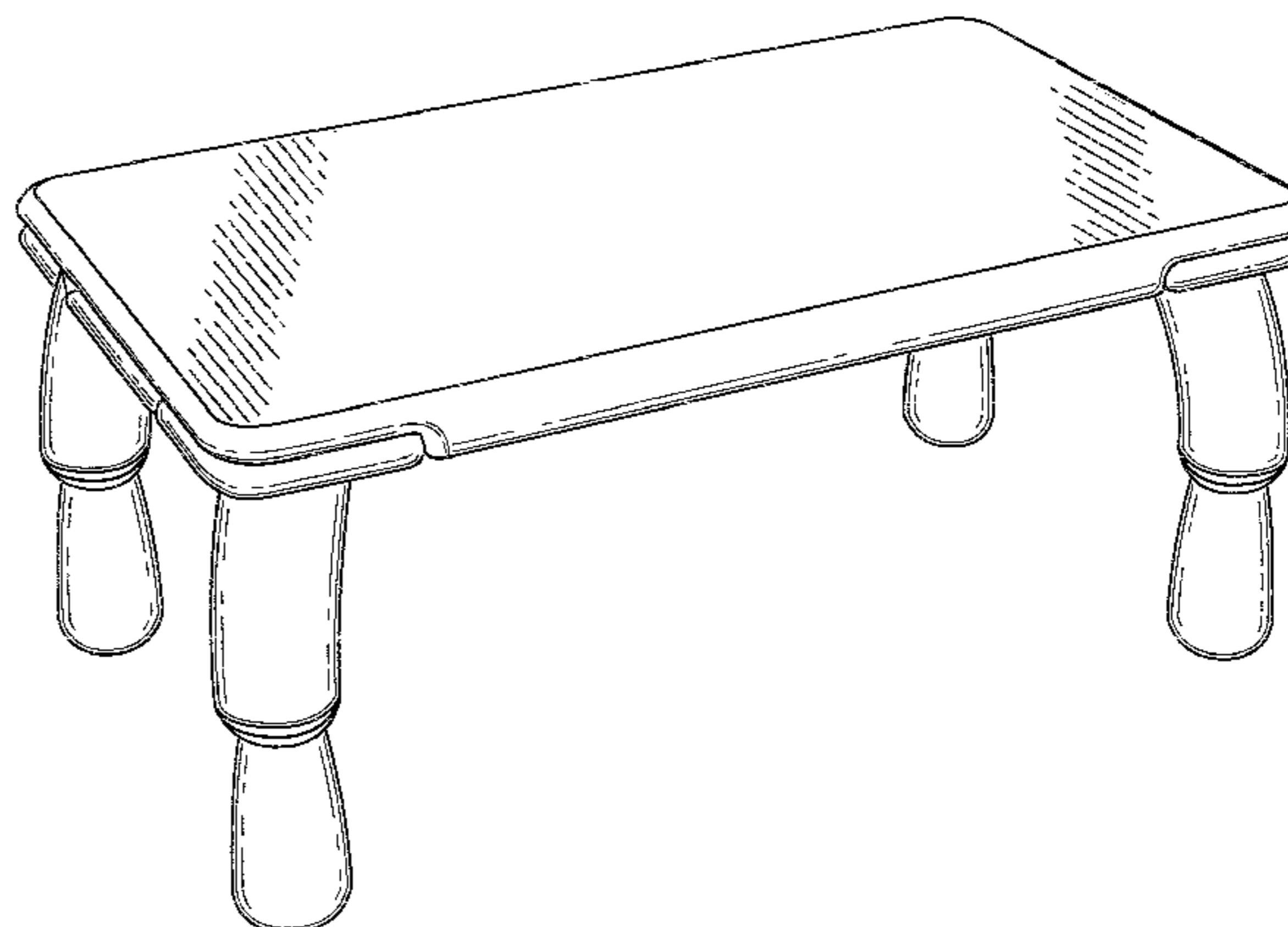
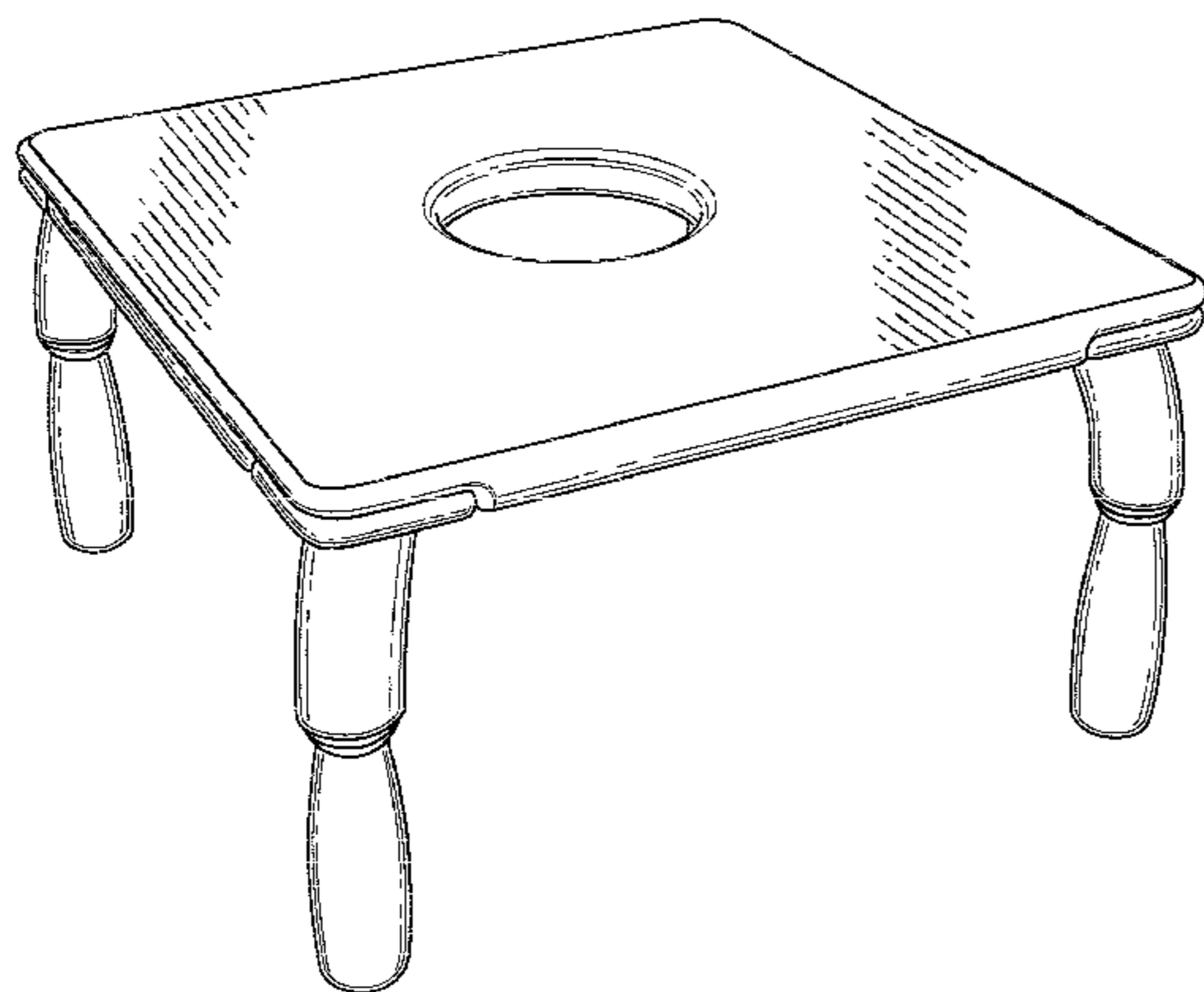
FIG. 7 is a bottom plan view of the second embodiment of the table;

FIG. 8 is a top plan view of the second embodiment of the table;

FIG. 9 is a left elevation view of the second embodiment of the table, the right side of which is identical; and,

FIG. 10 is a front elevation view of the second embodiment of the table, the rear of which is identical.

1 Claim, 8 Drawing Sheets



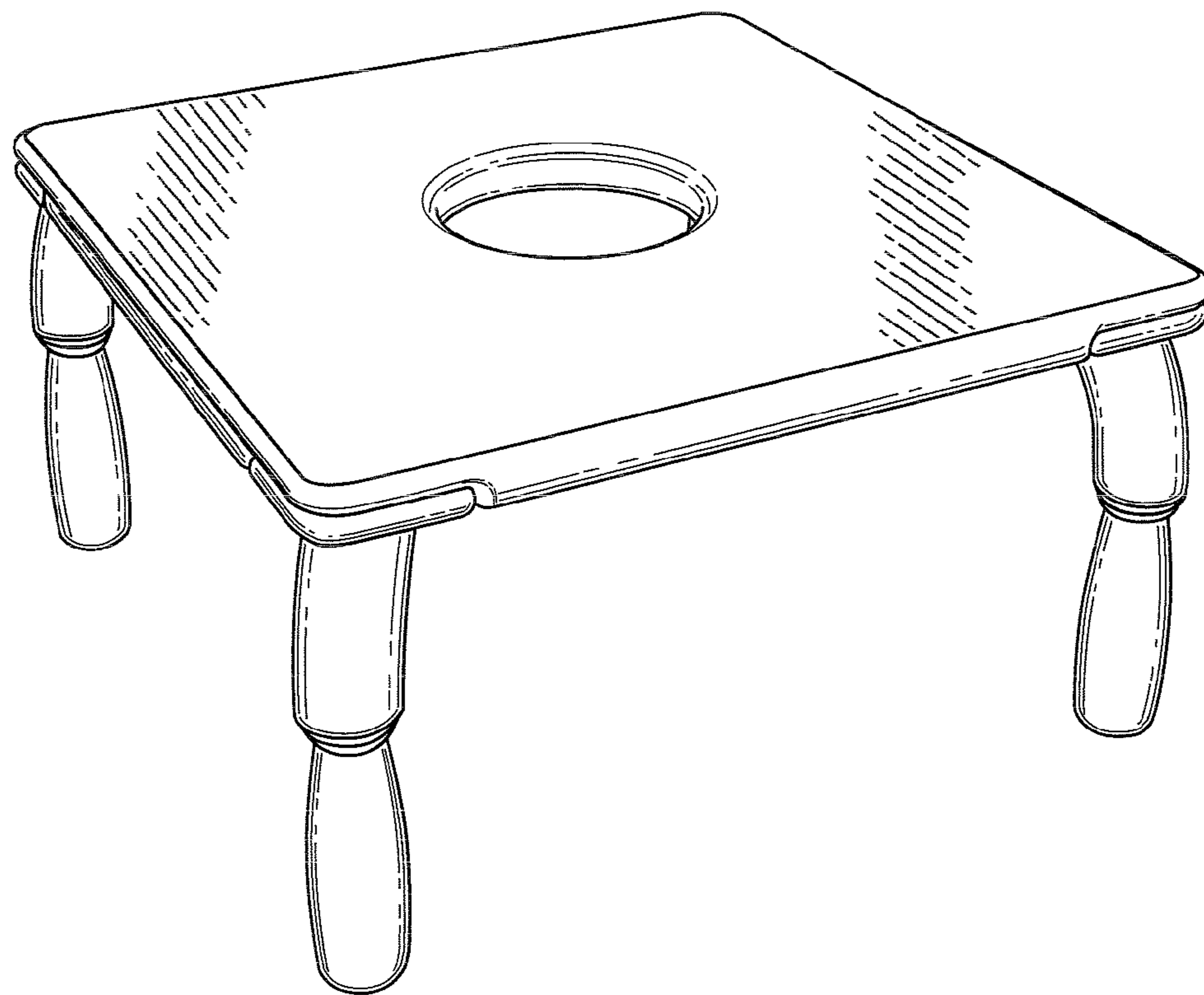


FIG. 1

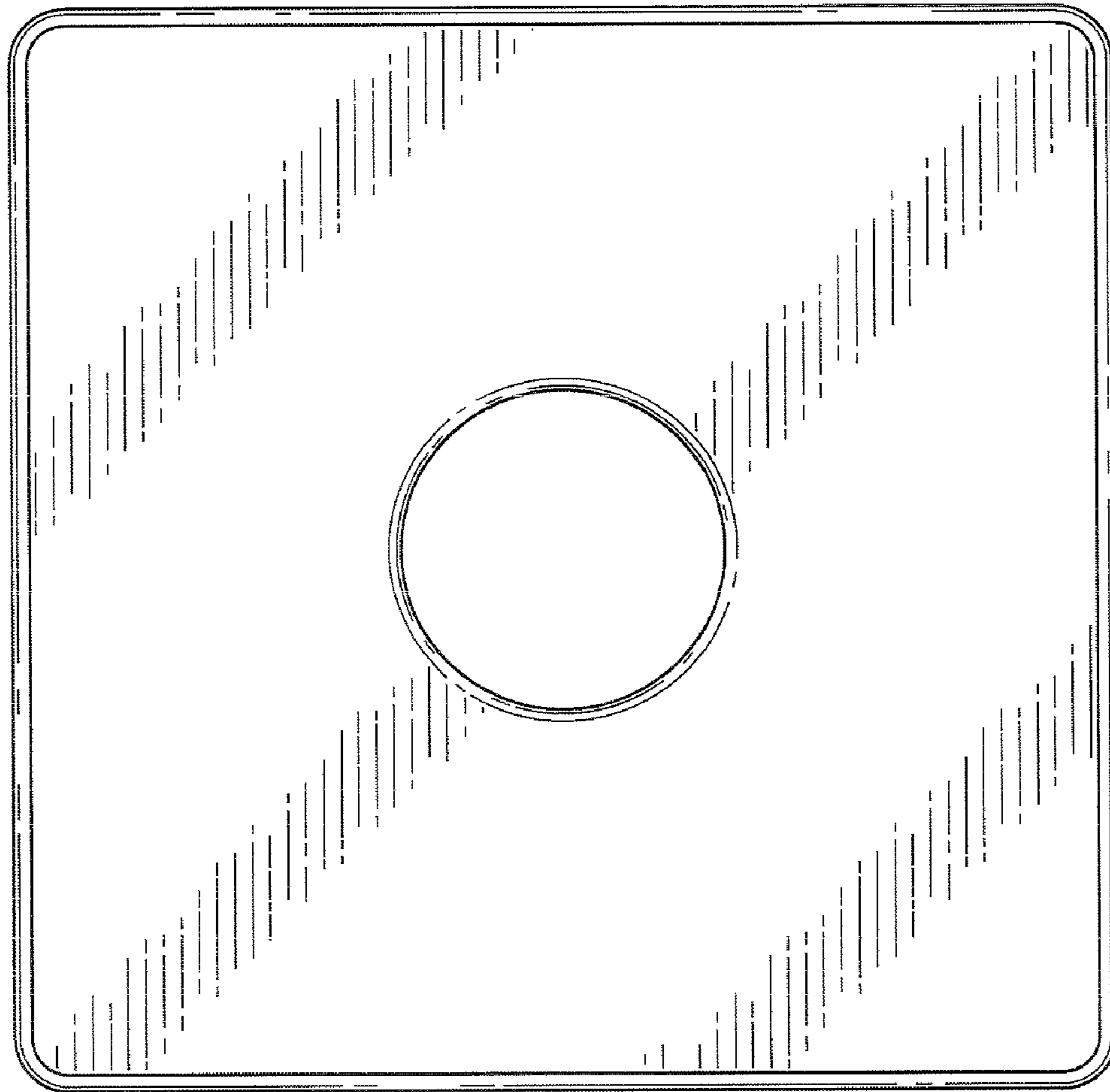


FIG. 2

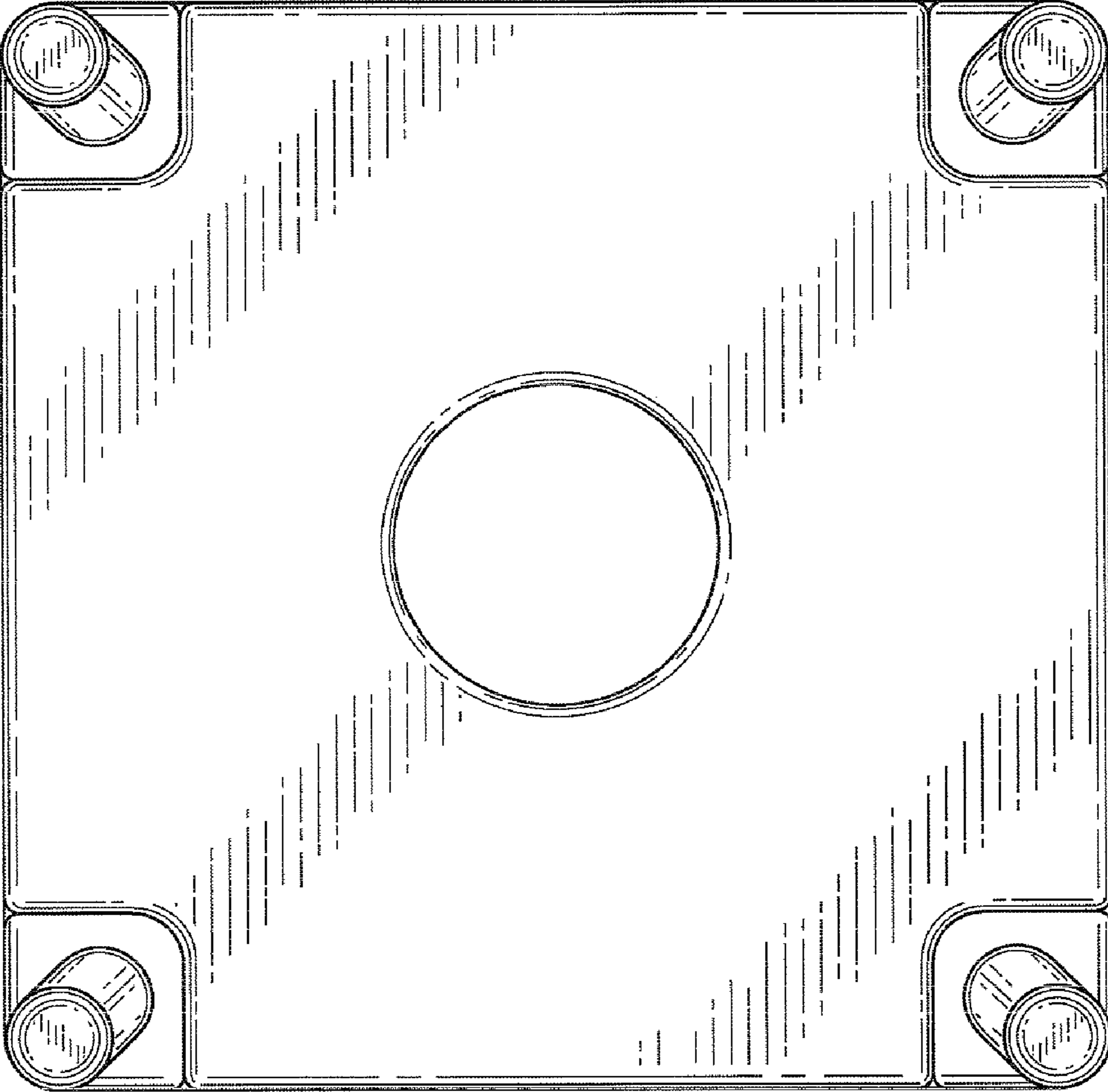


FIG. 3

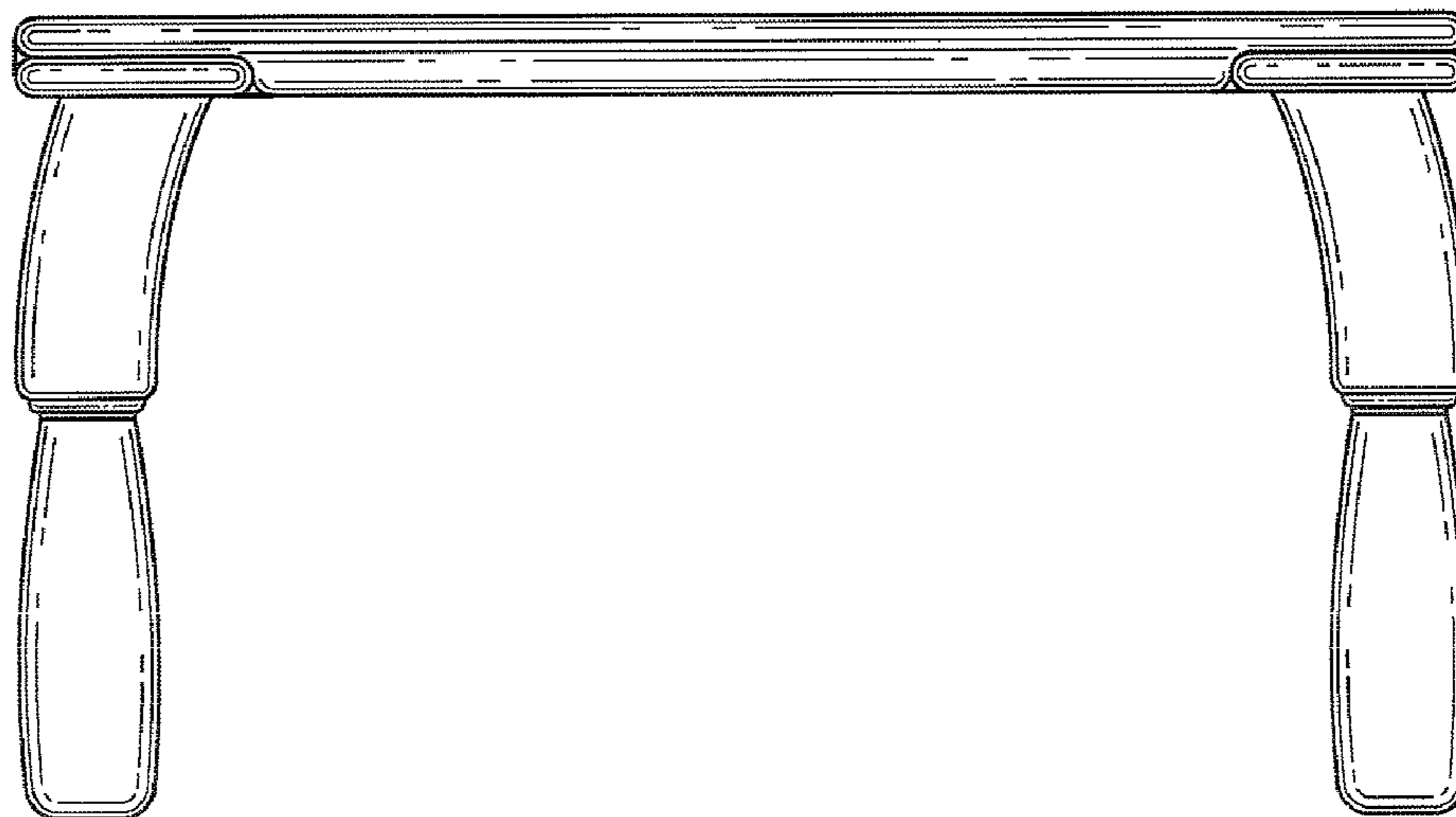


FIG. 4

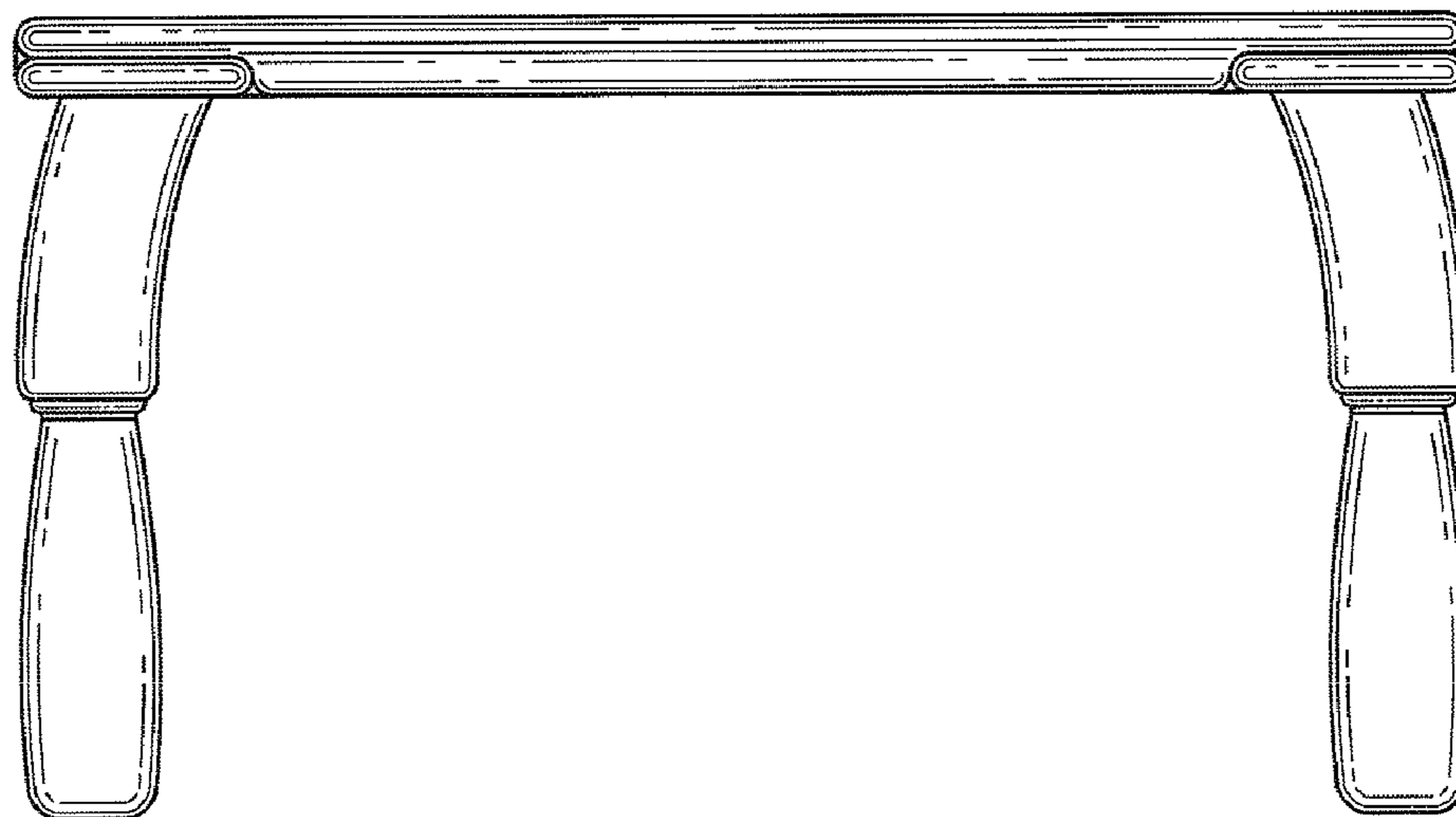


FIG. 5

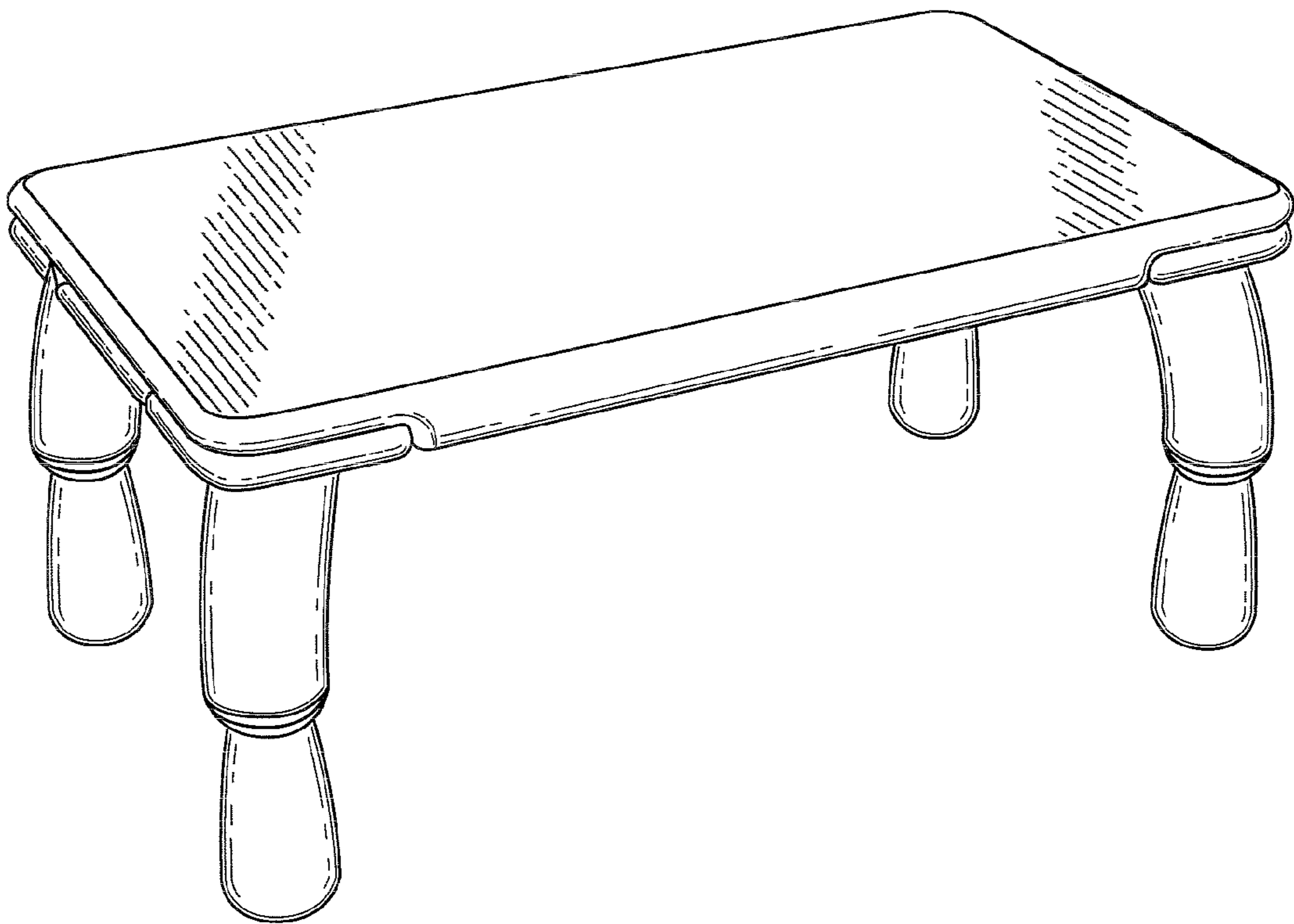


FIG. 6

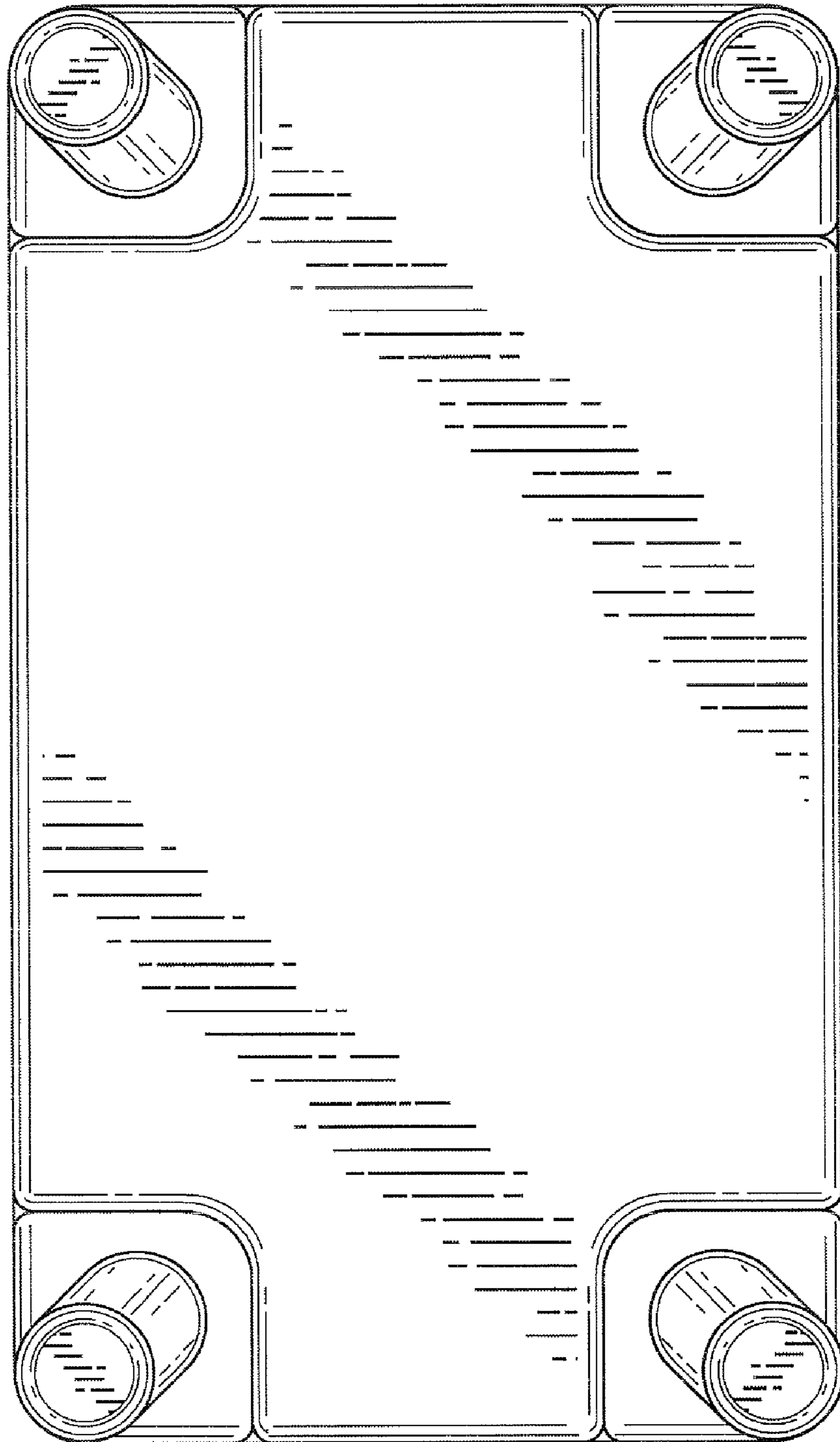


FIG. 7

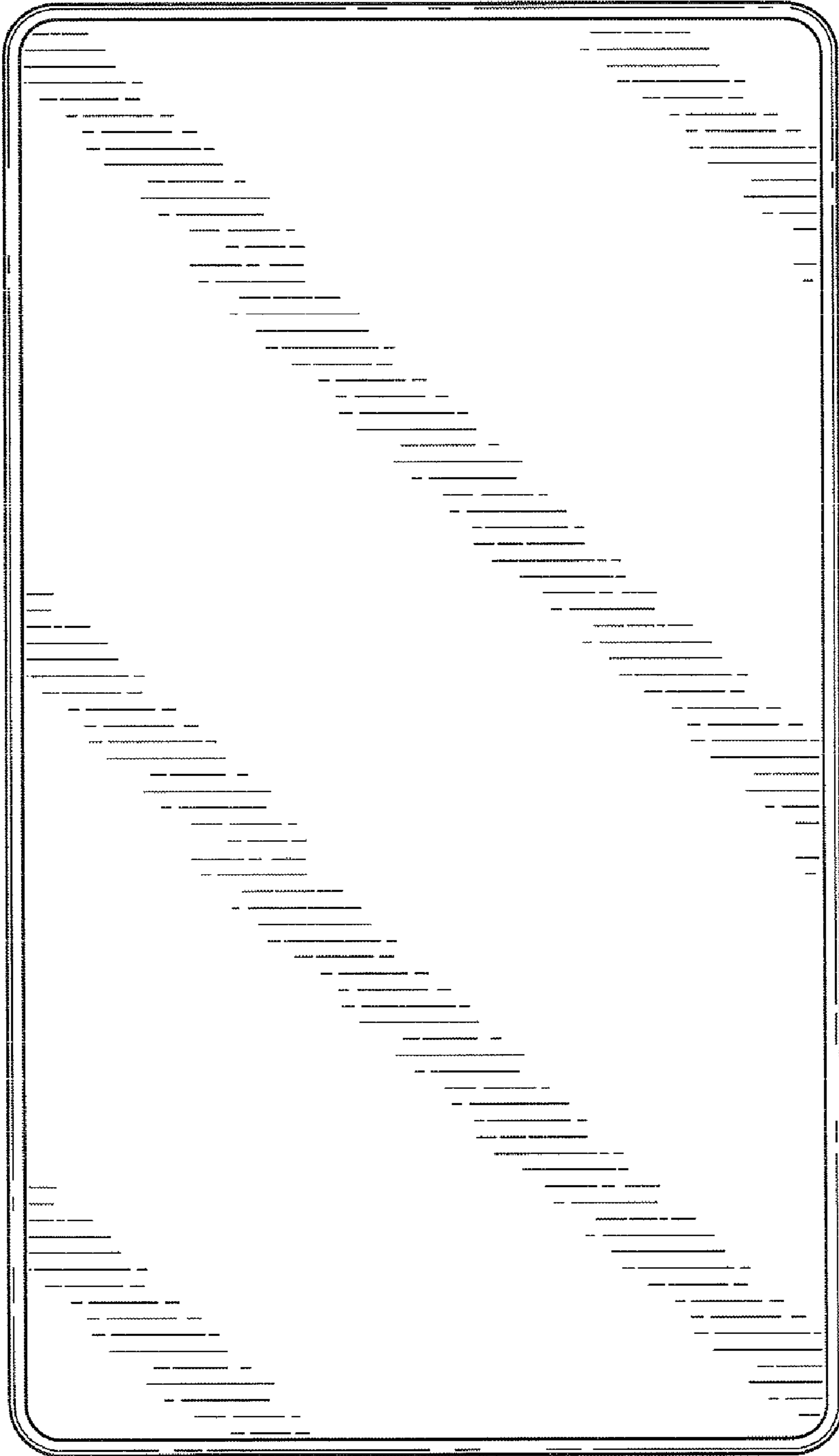


FIG. 8

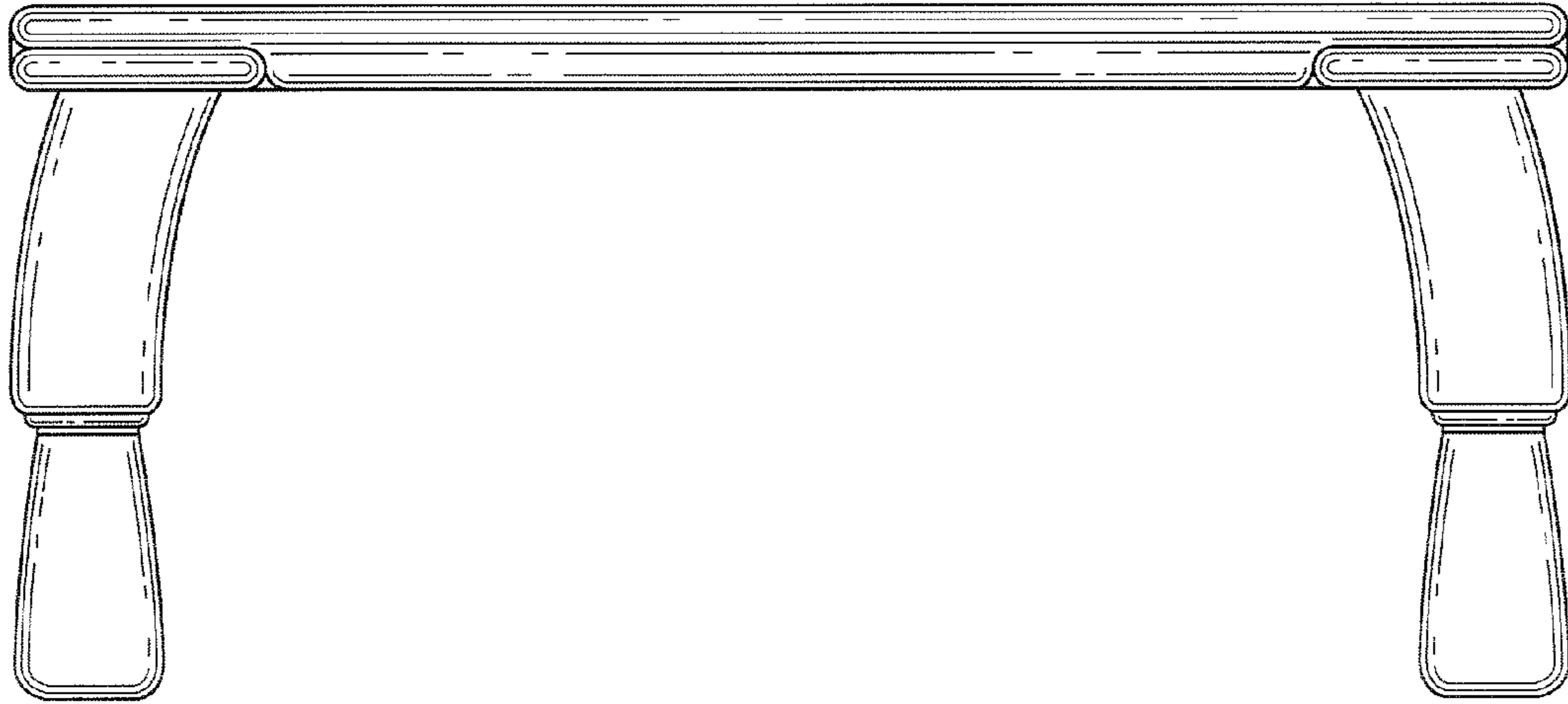


FIG. 9

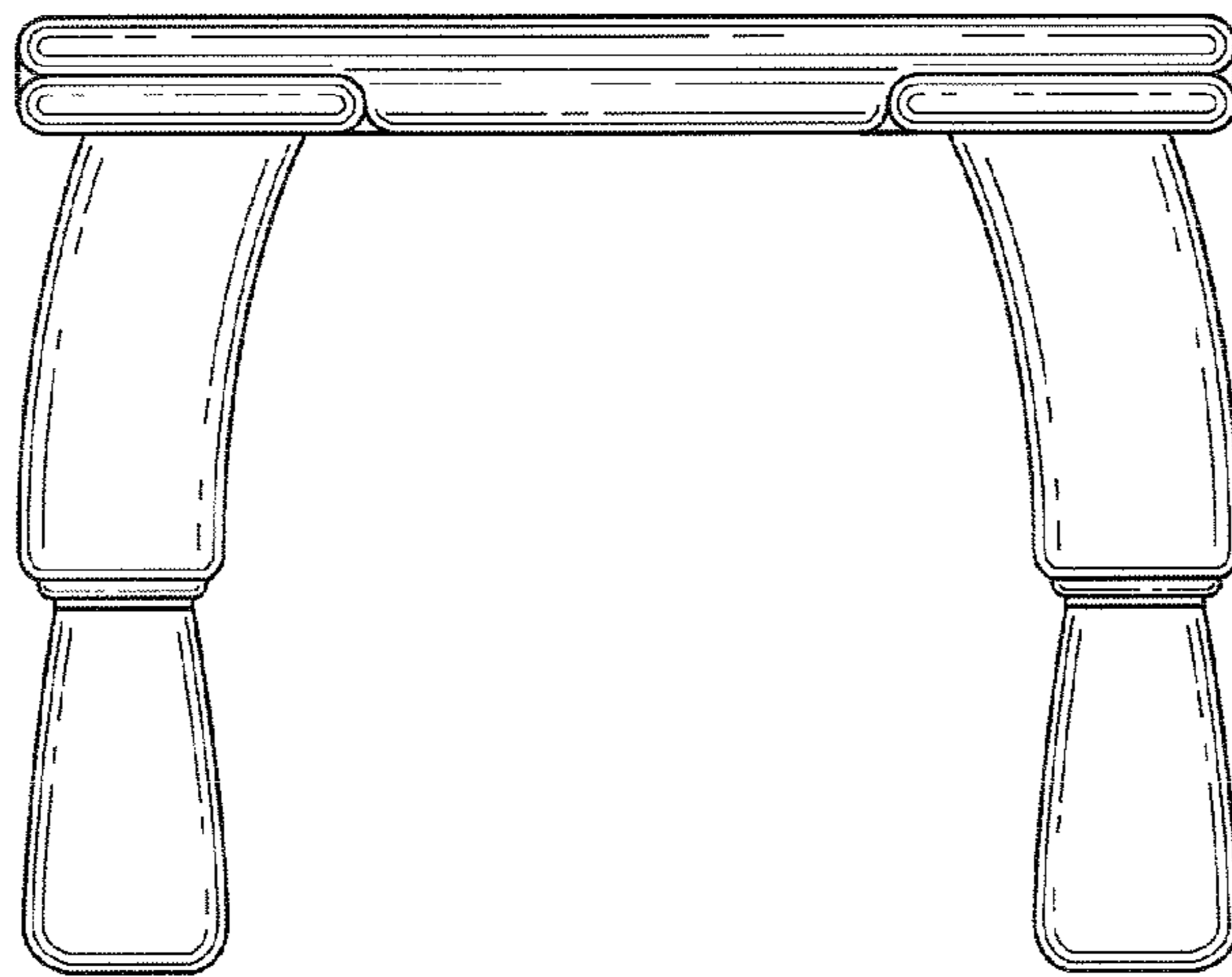


FIG. 10