



US00D612633S

(12) **United States Design Patent**
Mason

(10) **Patent No.:** **US D612,633 S**
(45) **Date of Patent:** **** Mar. 30, 2010**

(54) **DISPLAY UNIT**
(75) Inventor: **Timothy L. Mason**, Melville, NY (US)
(73) Assignee: **New Dimensions Research Corporation**, Melville, NY (US)
(**) Term: **14 Years**
(21) Appl. No.: **29/314,619**
(22) Filed: **Apr. 14, 2009**

D465,948 S * 11/2002 Au et al. D6/471
D486,324 S 2/2004 Mason
D489,198 S 5/2004 Mason et al.
D489,556 S 5/2004 Mason
D493,638 S 8/2004 Peyker
D496,193 S 9/2004 Mason
D496,194 S 9/2004 Mason
D511,426 S 11/2005 Mason
D537,274 S * 2/2007 Pirro et al. D6/459
D566,989 S 4/2008 Mason
2003/0164663 A1 * 9/2003 Chang et al. 312/107
2004/0020878 A1 * 2/2004 Boron 211/59.2

(51) **LOC (9) Cl.** **06-07**
(52) **U.S. Cl.** **D6/459**
(58) **Field of Classification Search** D6/407,
D6/449, 455, 457-461, 473, 471, 450, 463;
211/13.1, 42, 44, 49.1, 52, 59.2, 85.3, 186;
108/59, 92, 100; 312/108, 107, 114, 234,
312/204; D34/21, 24
See application file for complete search history.

* cited by examiner
Primary Examiner—Philip S Hyder
Assistant Examiner—Sydney R Buffalow
(74) *Attorney, Agent, or Firm*—Collard & Roe, P.C.

(57) **CLAIM**

The ornamental design for a display unit, as shown and described.

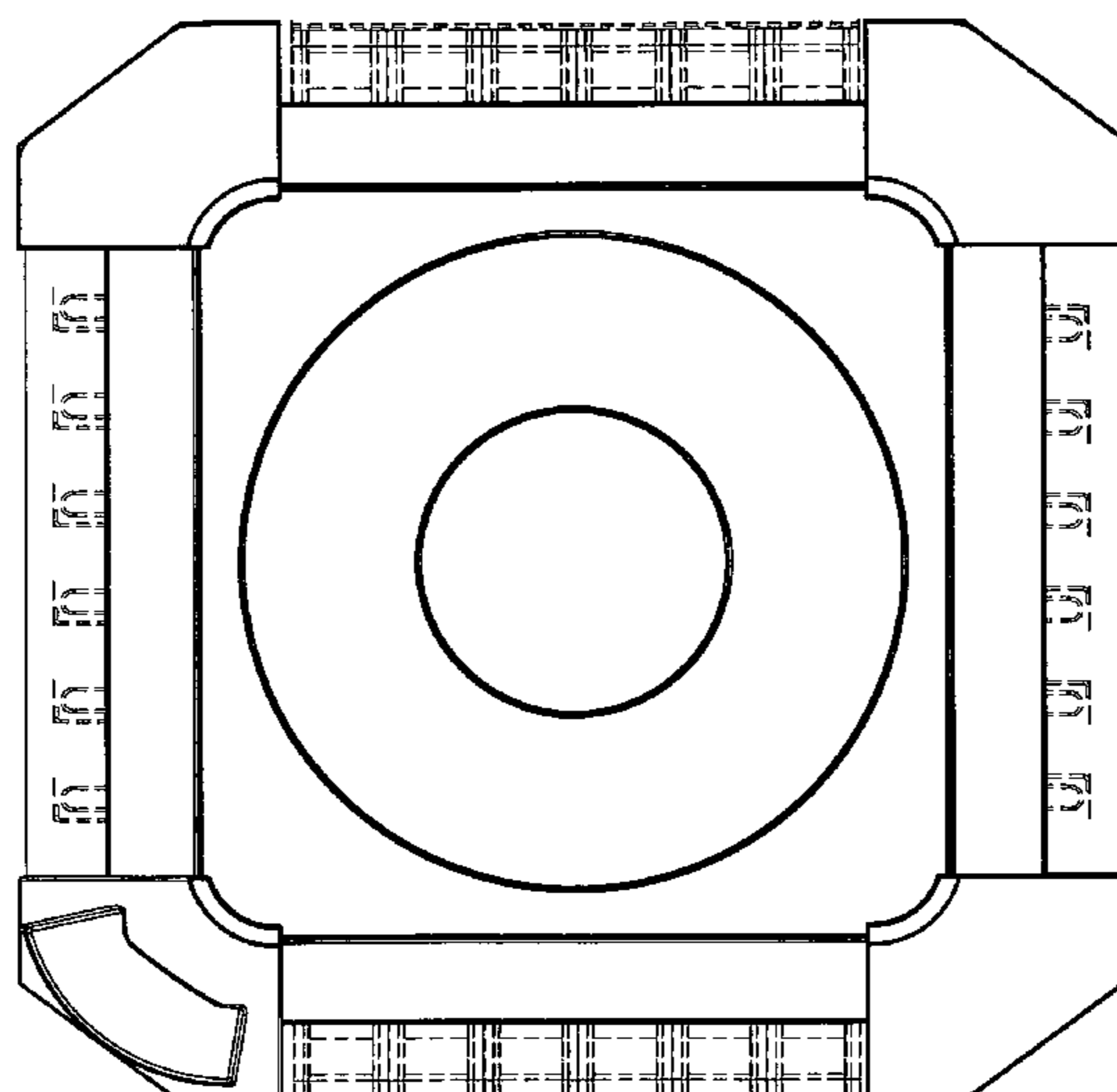
(56) **References Cited**
U.S. PATENT DOCUMENTS

1,317,534 A 9/1919 Williams
1,711,329 A 4/1929 Short
2,649,207 A 8/1953 Shield
3,019,907 A 2/1962 Belejack
3,404,927 A 10/1968 Mellion
D218,867 S * 9/1970 Sheps et al. D6/450
D223,041 S 2/1972 Kuenster
3,900,112 A 8/1975 Azzi et al.
3,977,523 A 8/1976 Cousino
D259,161 S * 5/1981 Thauer D6/463
4,299,327 A * 11/1981 Thauer 211/186
D268,068 S 3/1983 Ellenson et al.
4,684,027 A 8/1987 Wright
4,744,489 A 5/1988 Binder et al.
5,353,939 A 10/1994 Beeler et al.
D381,546 S 7/1997 Hunt
D398,179 S 9/1998 Cutsinger
D404,240 S 1/1999 Man
D428,738 S 8/2000 Brozak, Jr.
6,467,856 B1 * 10/2002 Chang et al. 312/108

DESCRIPTION

FIG. 1 shows a top view of my design for a display unit;
FIG. 2 shows a first perspective view thereof;
FIG. 3 shows an elevational view of a first side thereof;
FIG. 4 shows a second perspective view thereof;
FIG. 5 shows an elevational view of a second side thereof;
FIG. 6 shows a third perspective view thereof;
FIG. 7 shows an elevational view of a third side thereof, being opposite said first side;
FIG. 8 shows a fourth perspective view thereof; and,
FIG. 9 shows an elevational view of a fourth side thereof, being opposite said second side.
The bottom view, which is not shown, and the elements shown in broken lines, which depict environmental structure only, form no part of the claimed design.

1 Claim, 9 Drawing Sheets



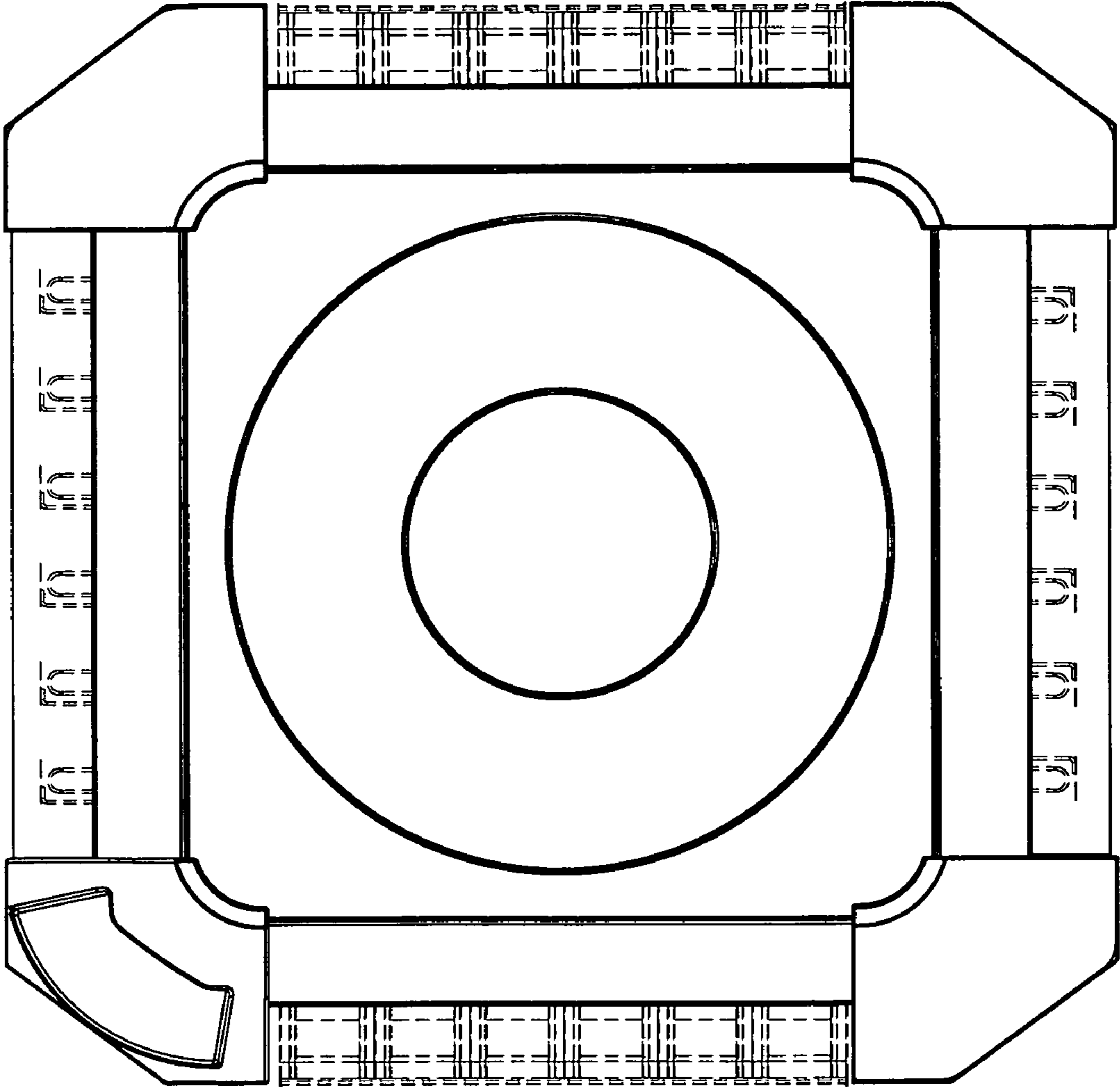


FIG. 1

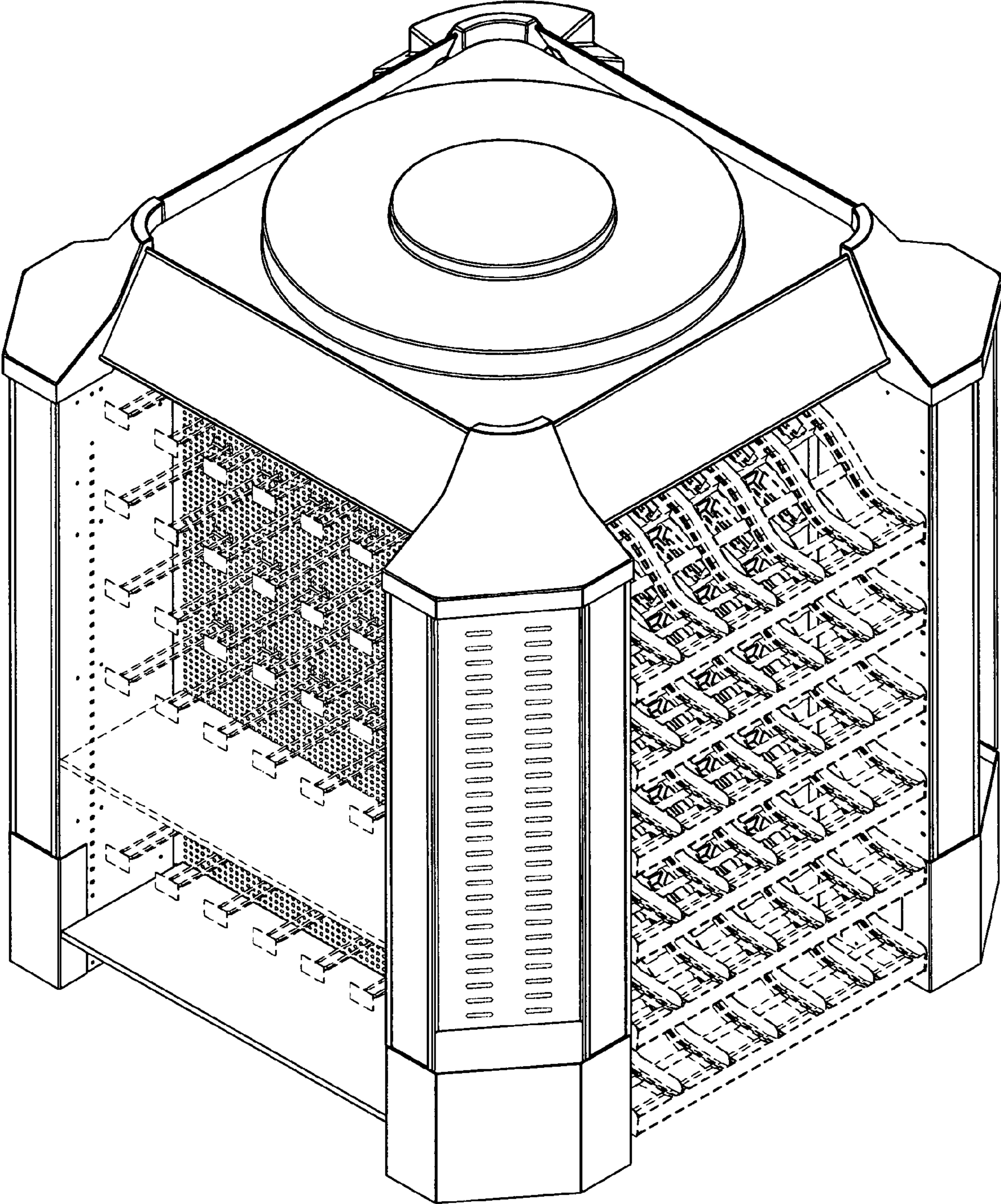


FIG. 2

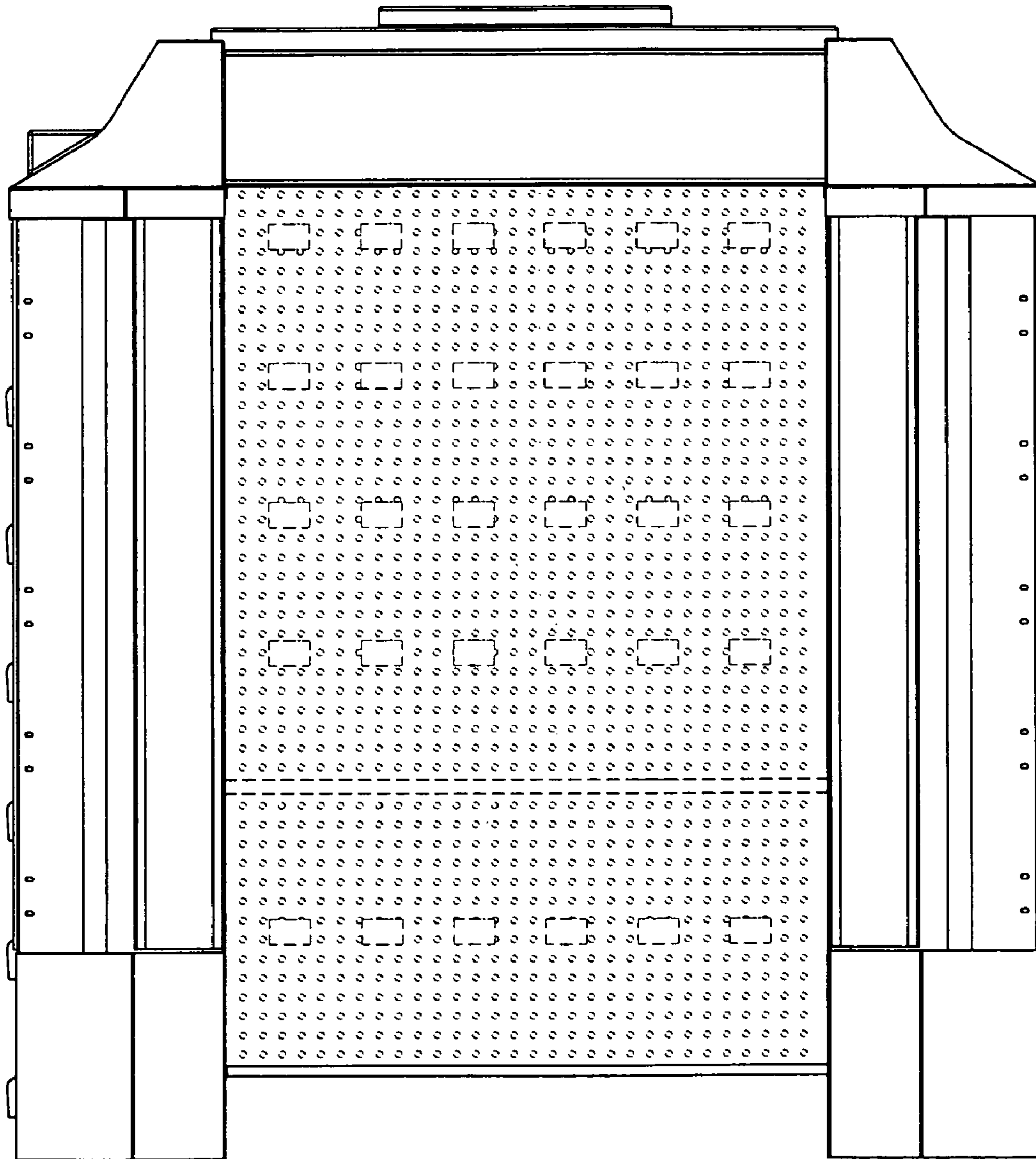


FIG. 3

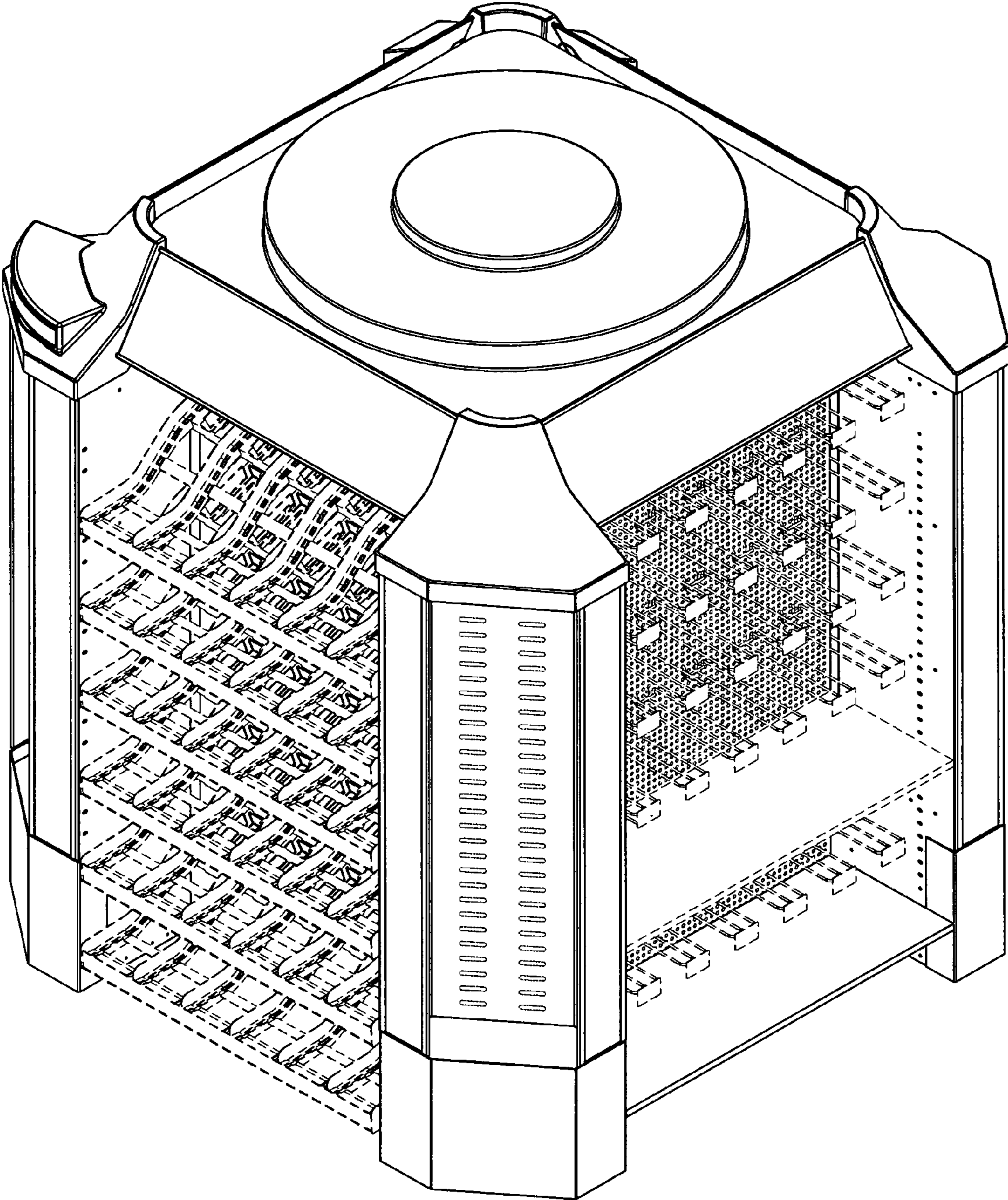


FIG. 4

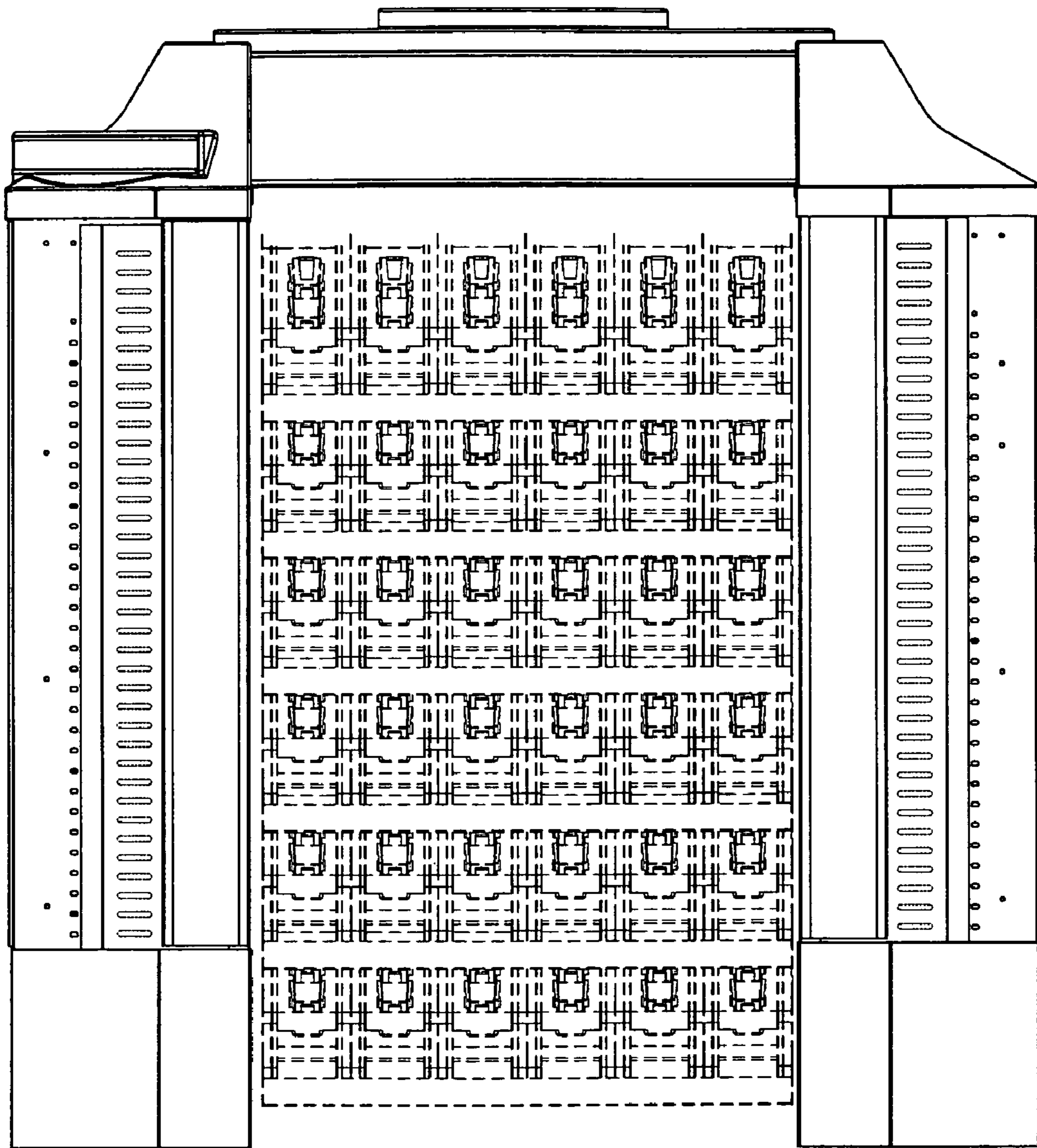


FIG. 5

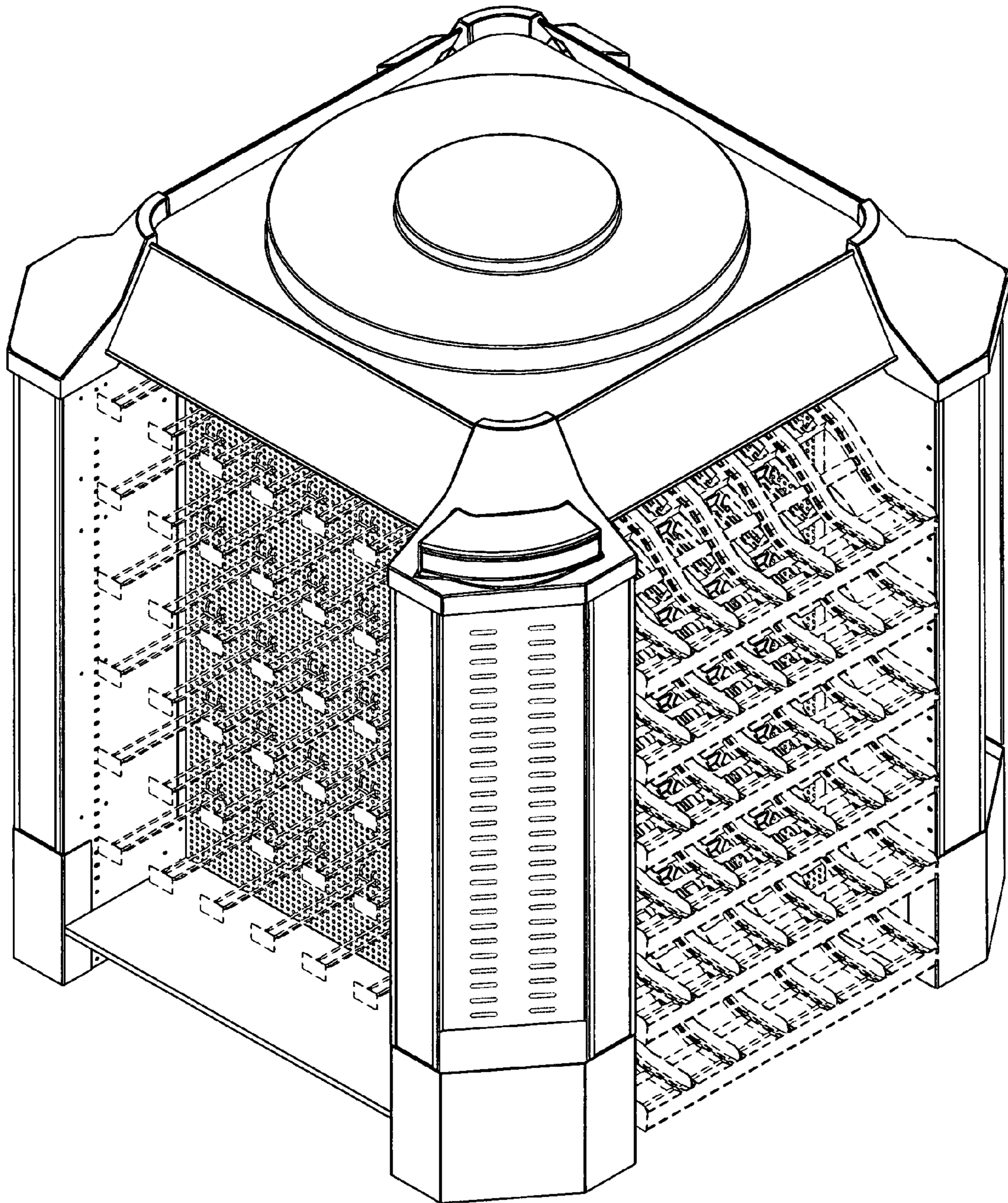


FIG. 6

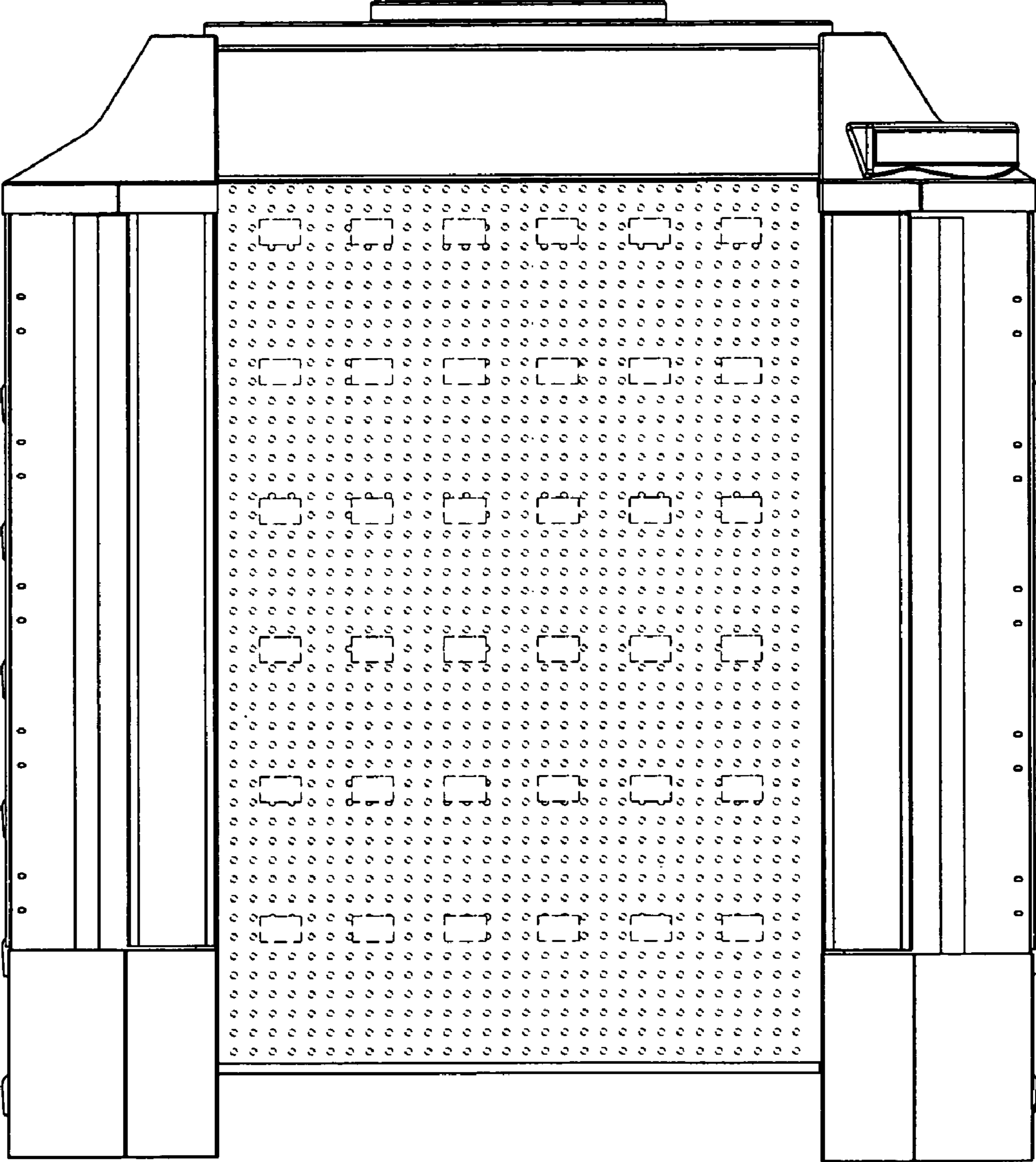


FIG. 7

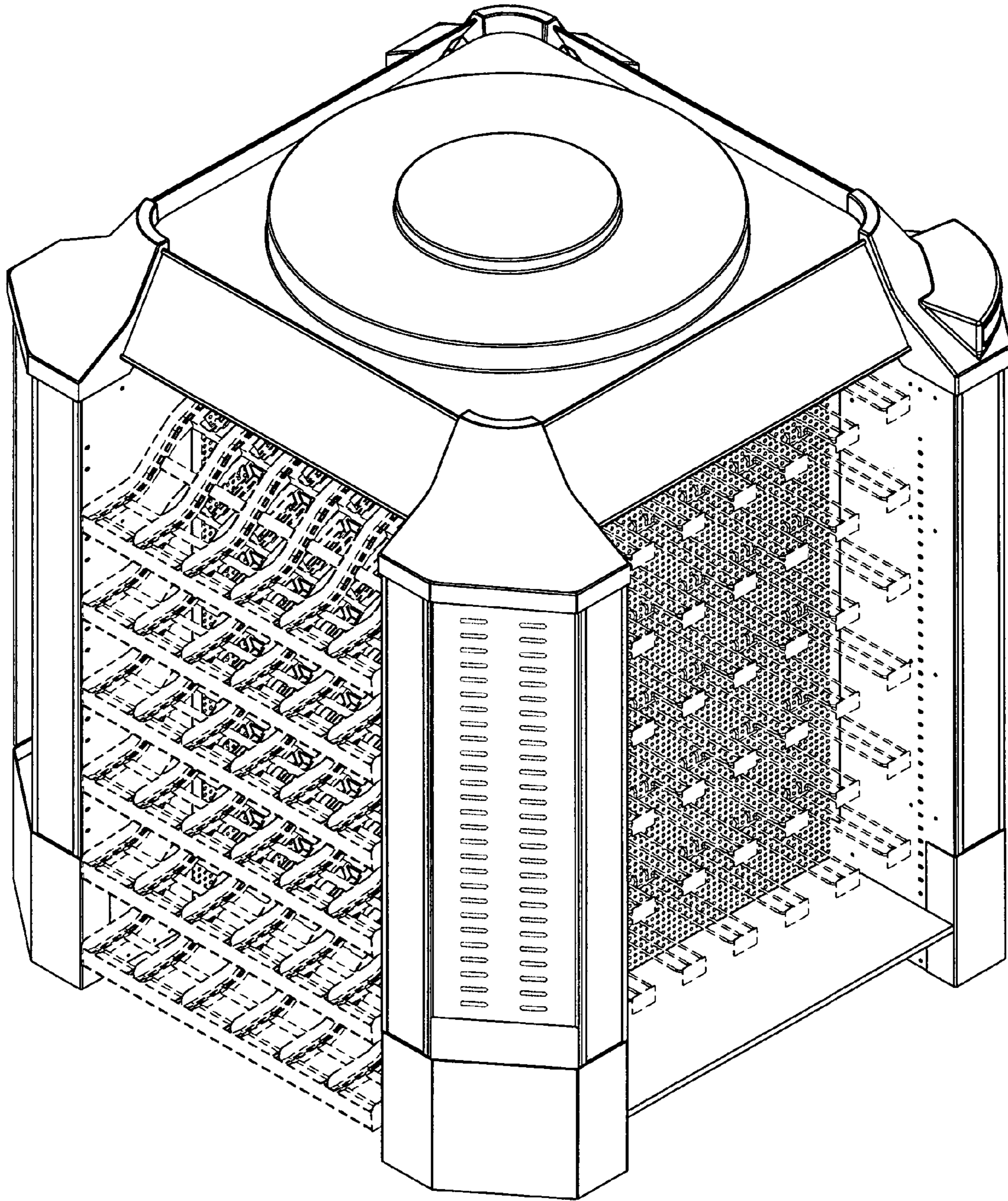


FIG. 8

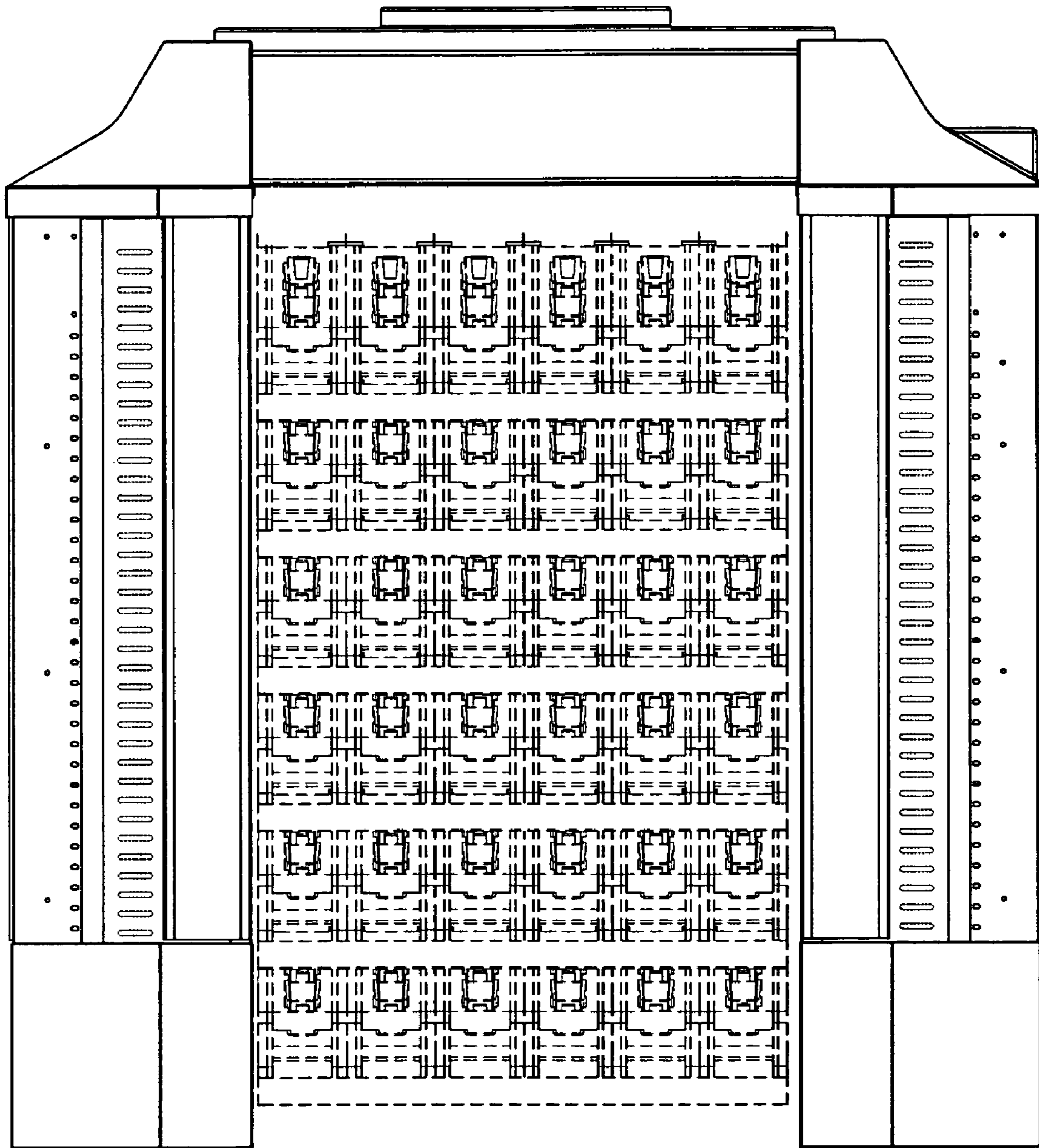


FIG. 9