



US00D612631S

(12) **United States Design Patent**
Pazhoor

(10) **Patent No.:** **US D612,631 S**
(45) **Date of Patent:** **** Mar. 30, 2010**

(54) **COLLAPSIBLE VOTING BOOTH**

D378,173 S * 2/1997 Hobson D6/421
D475,219 S * 6/2003 McClure et al. D6/421

(75) Inventor: **Mohamed Pazhoor**, West Palm Beach,
FL (US)

* cited by examiner

(73) Assignee: **Naztec International Group, LLC**,
West Palm Beach, FL (US)

Primary Examiner—Janice E Seeger
(74) *Attorney, Agent, or Firm*—McHale & Slavin, P.A.

(**) Term: **14 Years**

(57) **CLAIM**

(21) Appl. No.: **29/320,466**

The ornamental design for a collapsible voting booth, as shown and described.

(22) Filed: **Jun. 27, 2008**

DESCRIPTION

(51) **LOC (9) Cl.** **06-03**

FIG. 1 is a top perspective view of the collapsible voting booth of the instant invention;

(52) **U.S. Cl.** **D6/421**

FIG. 2 is a front view thereof;

(58) **Field of Classification Search** D6/421–428,
D6/429, 487; 312/194–196, 198; 108/50.01,
108/50.02, 60; 235/51, 50 R; 52/36.1, 36.4
See application file for complete search history.

FIG. 3 is a rear view thereof;

FIG. 4 is a right side view thereof;

FIG. 5 is a left side view thereof;

FIG. 6 is a top view thereof; and,

FIG. 7 is a bottom view thereof.

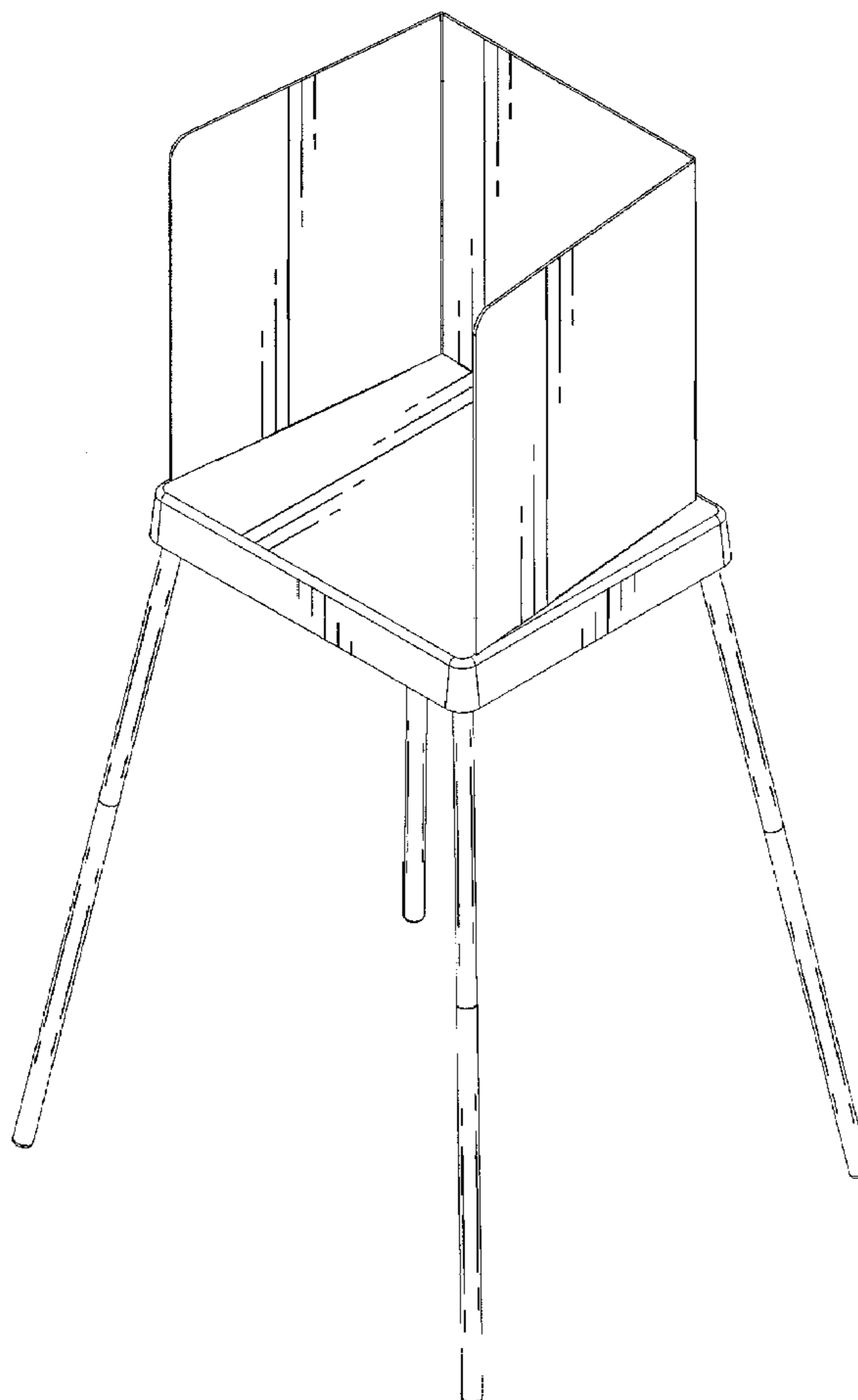
(56) **References Cited**

U.S. PATENT DOCUMENTS

D191,747 S * 11/1961 Jentzen D6/421
3,211,506 A * 10/1965 Levy et al. 312/239
3,339,502 A * 9/1967 Fyffe 108/64
D221,386 S * 8/1971 Babbs D6/421

The broken lines are for environmental purposes only and form no part of the claimed design.

1 Claim, 7 Drawing Sheets



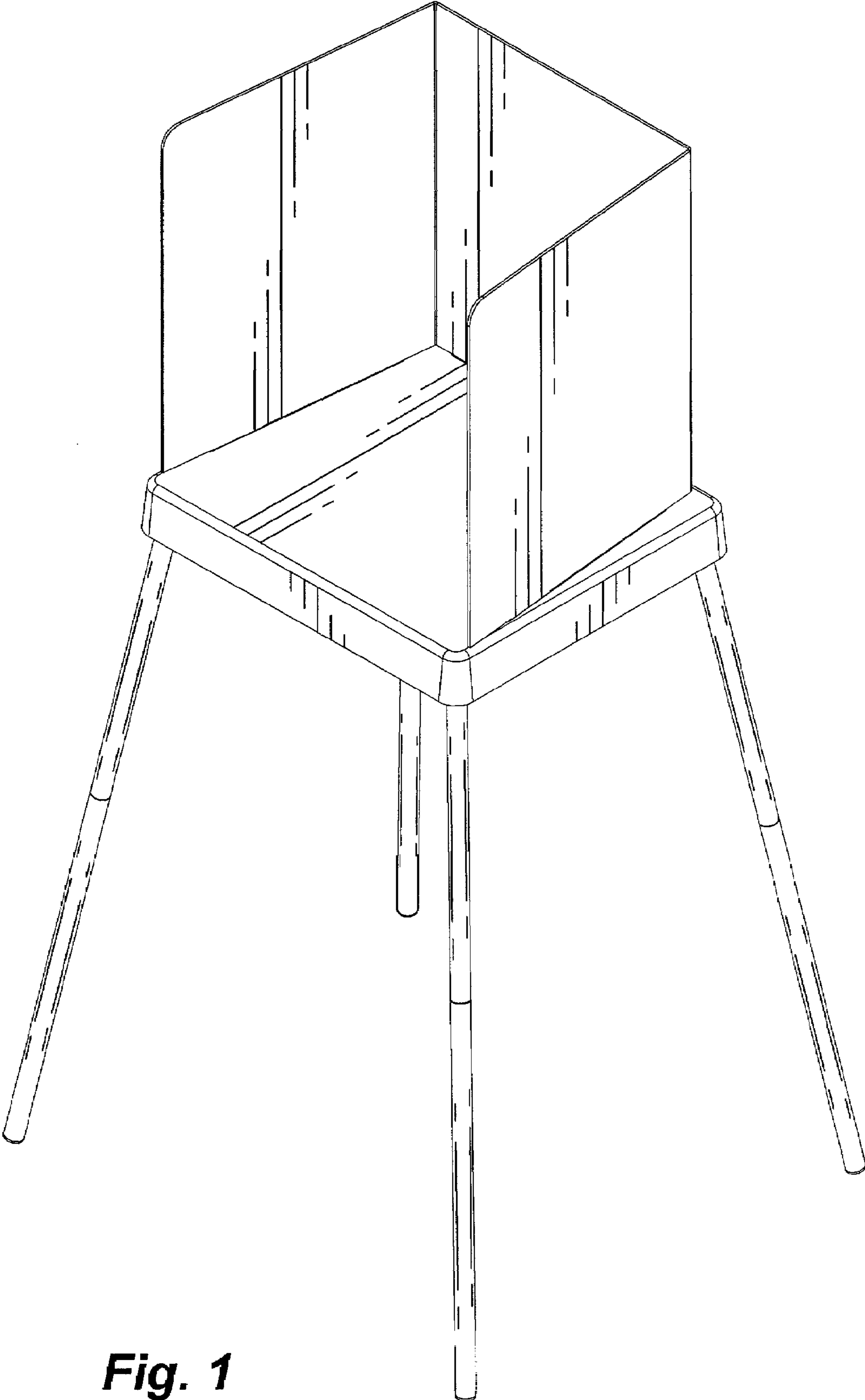


Fig. 1

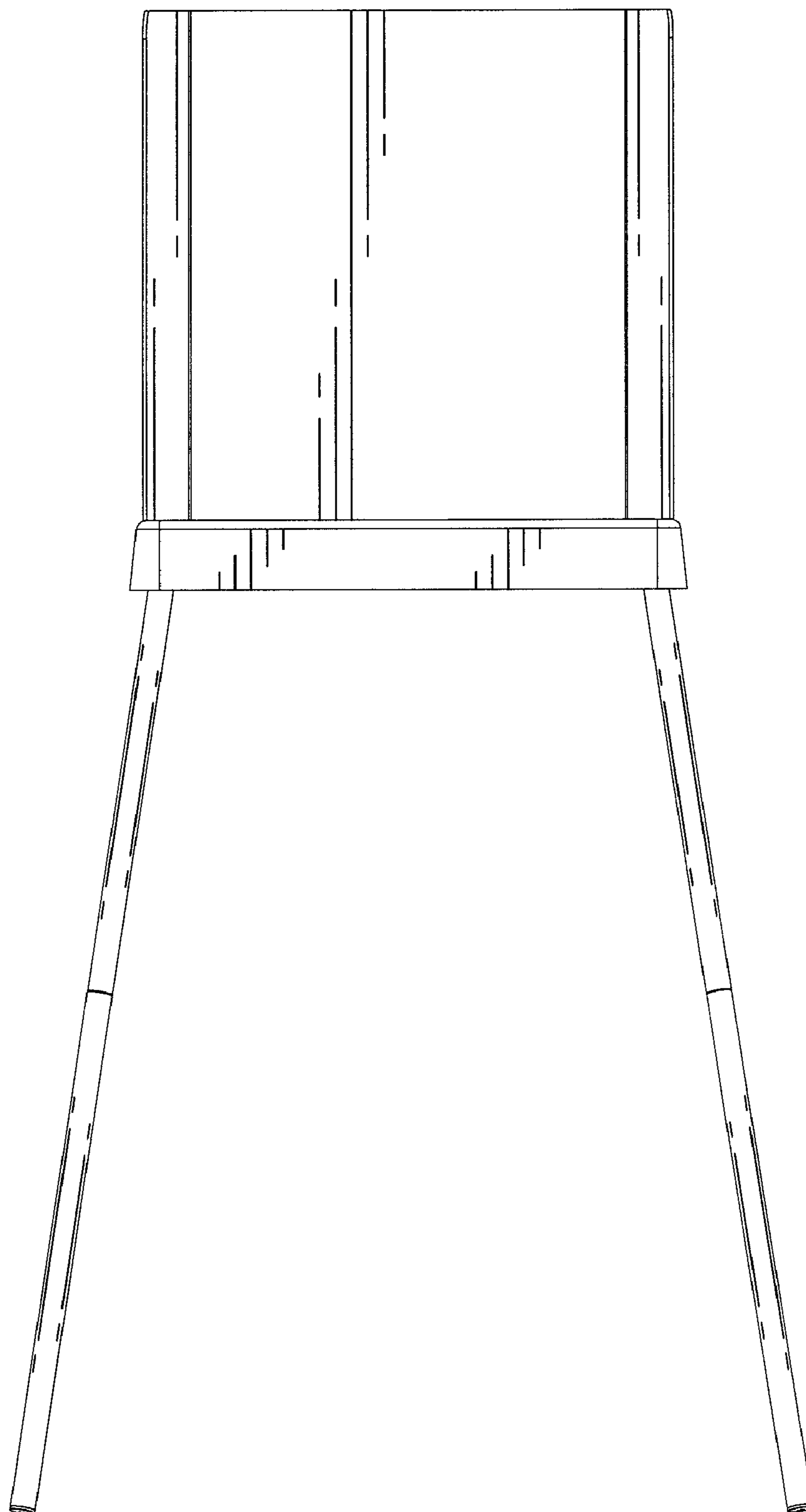


Fig. 2

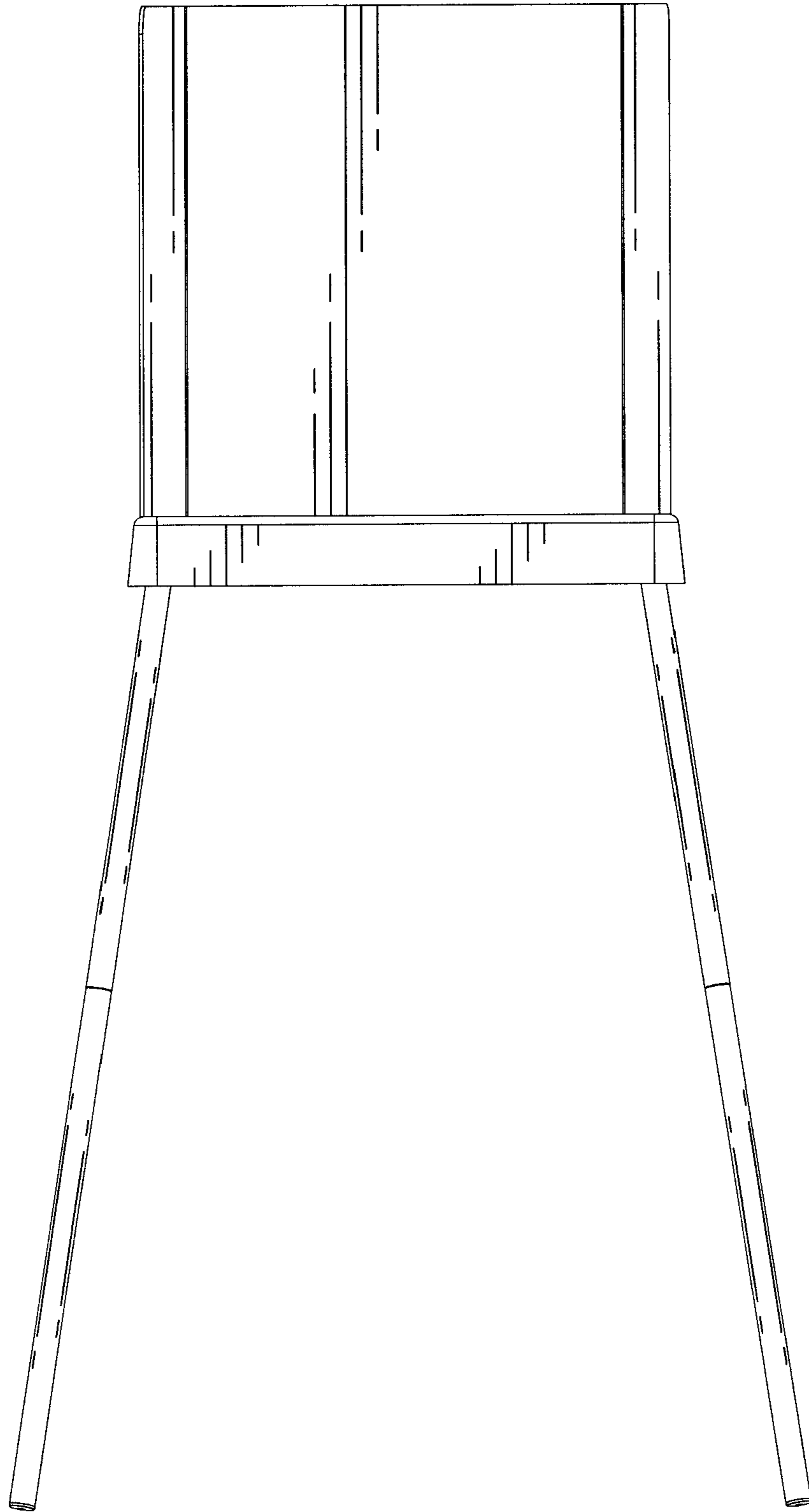


Fig. 3

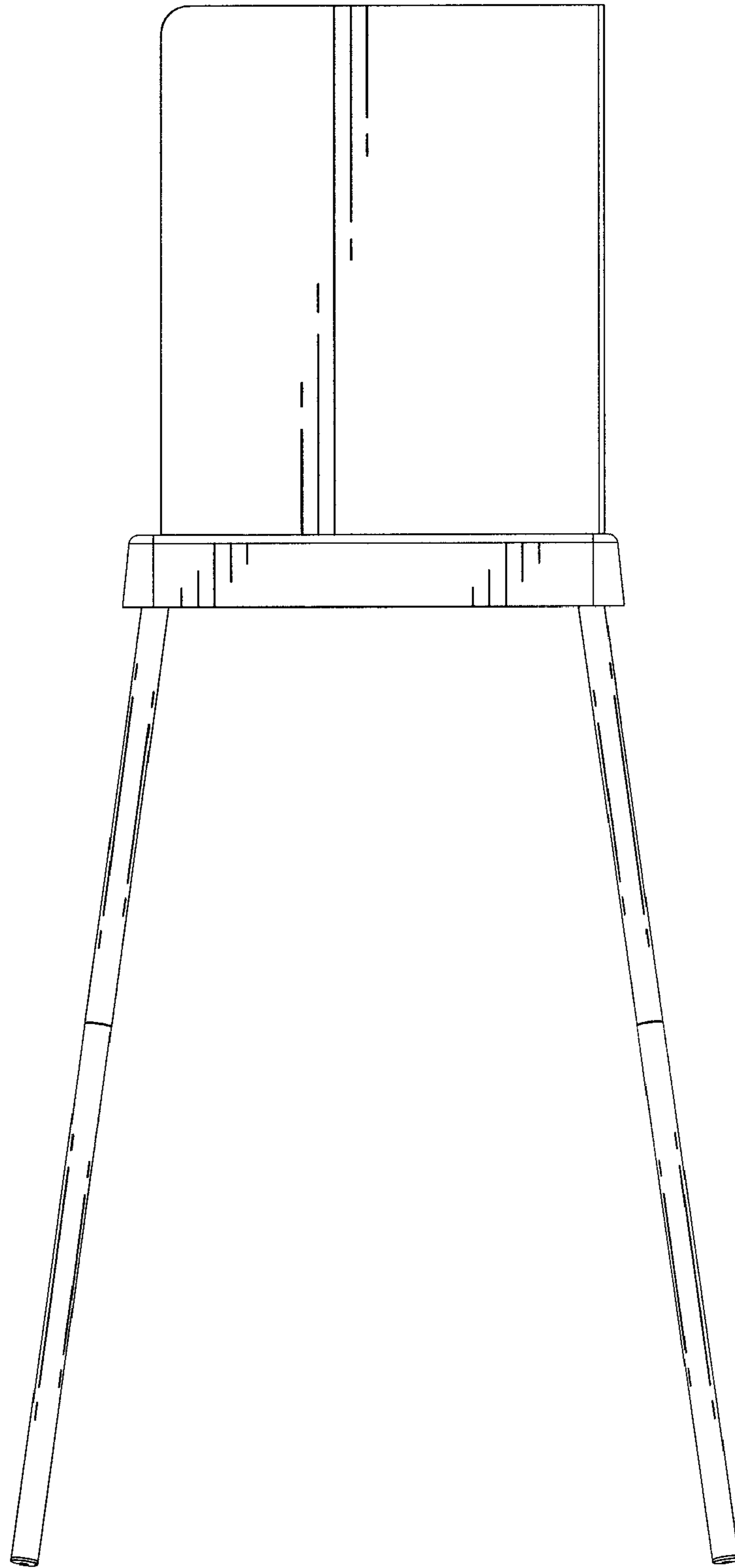


Fig. 4

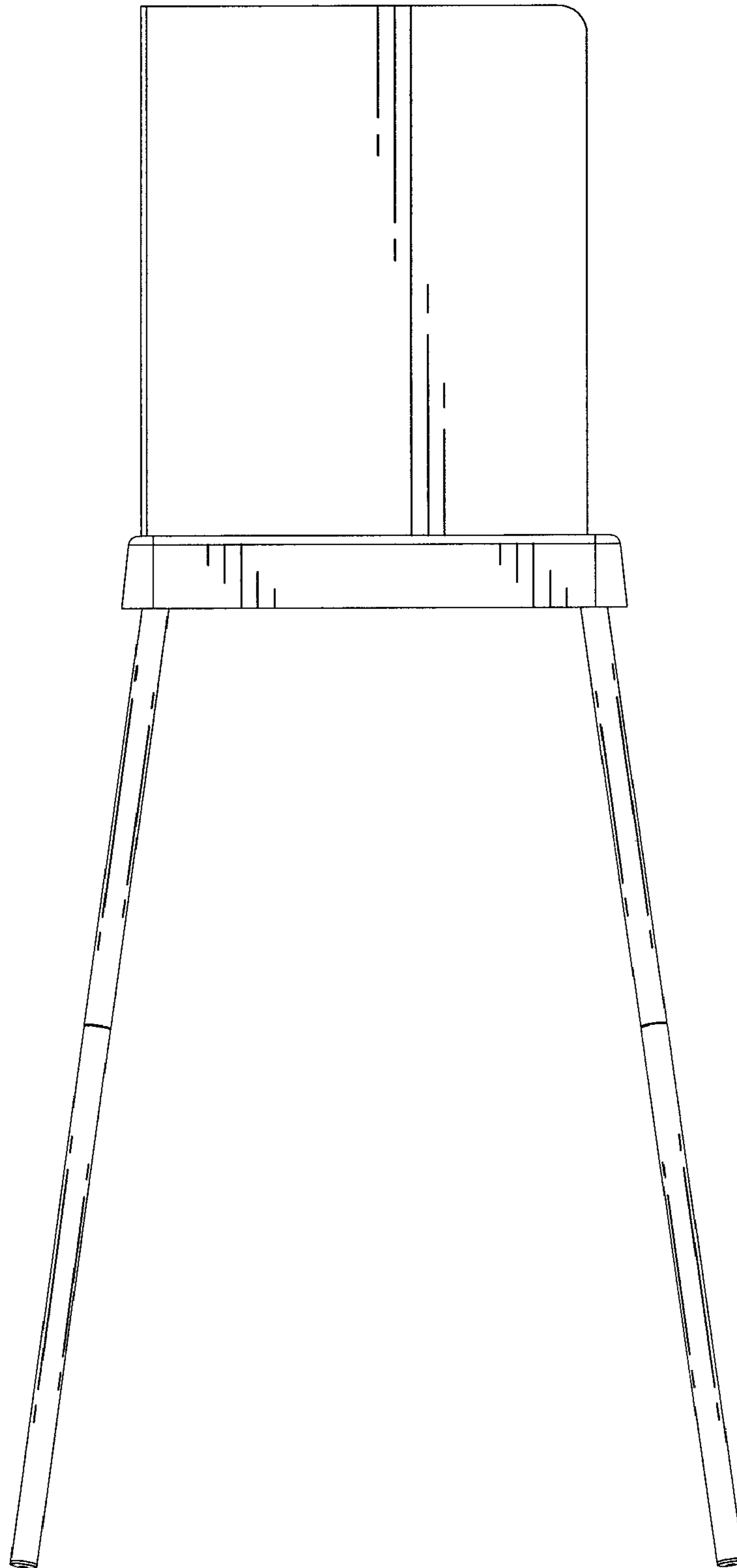


Fig. 5

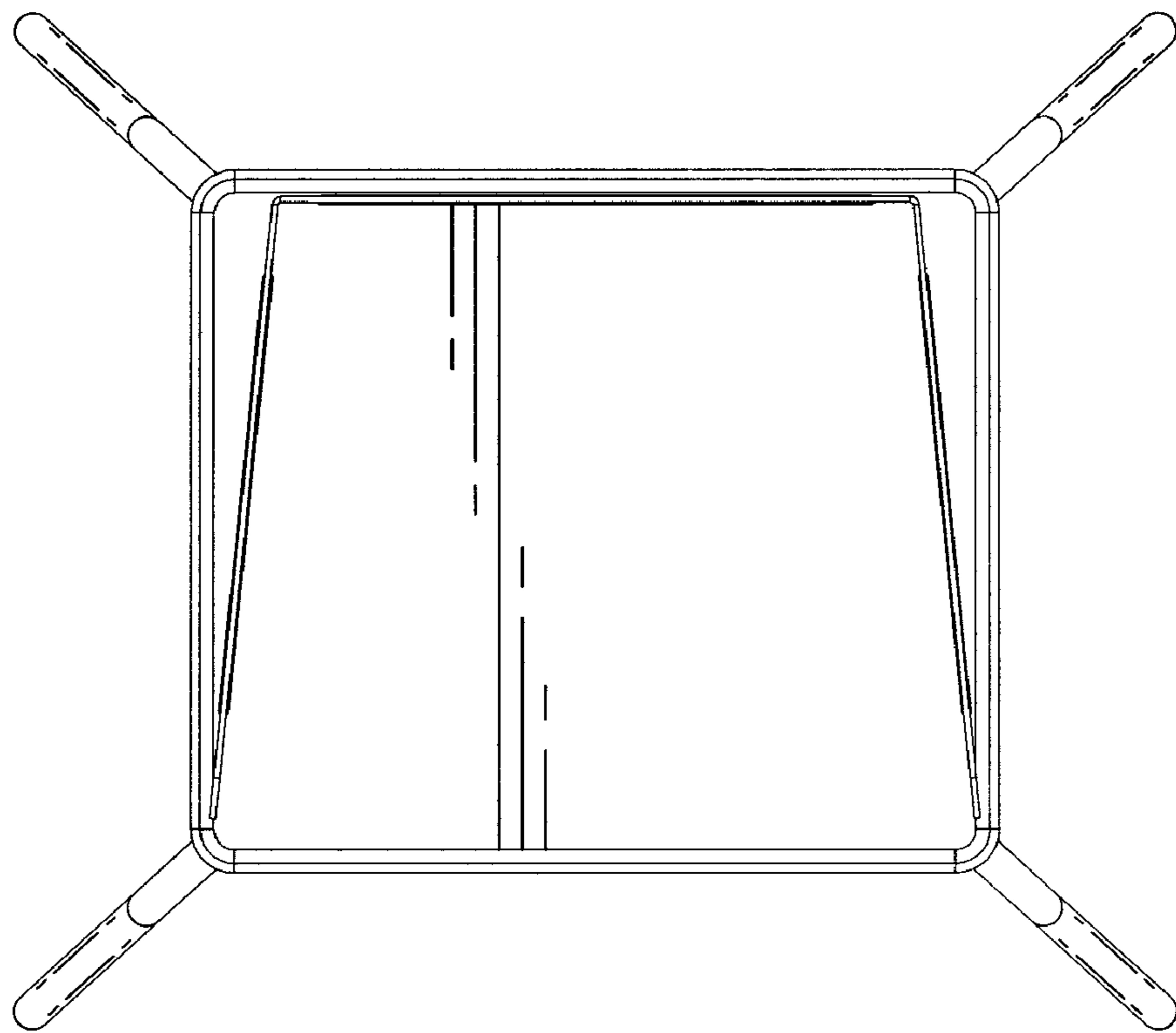


Fig. 6

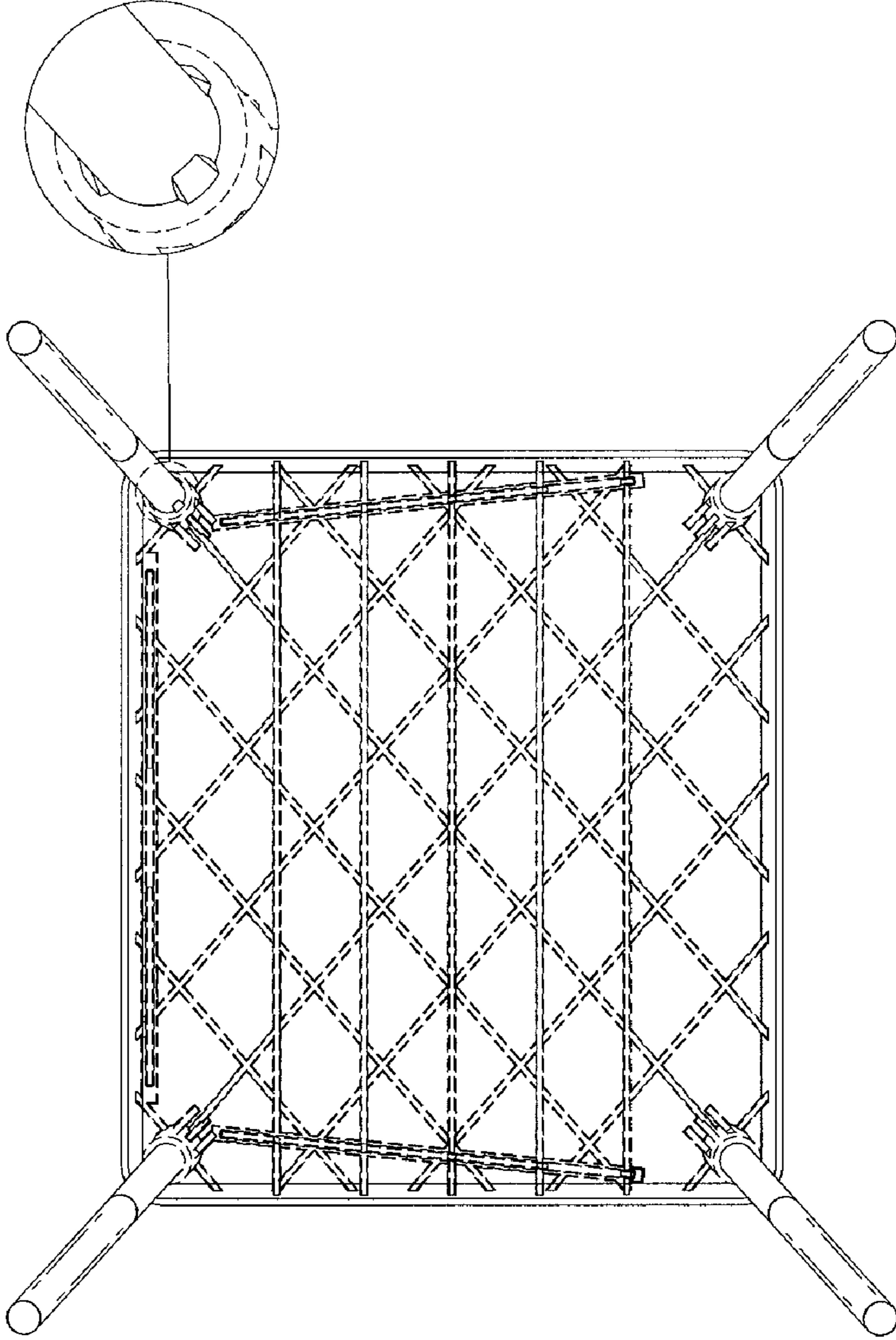


Fig. 7