



US00D612629S

(12) **United States Design Patent**  
**Gower et al.**

(10) **Patent No.:** **US D612,629 S**  
(45) **Date of Patent:** **\*\* Mar. 30, 2010**

(54) **BASSINET**

2006/0150323 A1\* 7/2006 Daeseleire ..... 5/93.1

(75) Inventors: **Campbell Gower**, Wellington (NZ);  
**David Charles Grove**, Wellington (NZ)

\* cited by examiner

(73) Assignee: **Phil and Teds Most Excellent Buggy Company Limited**, Newtown,  
Wellington (NZ)

*Primary Examiner*—Janice E Seeger  
(74) *Attorney, Agent, or Firm*—Blakely, Sokoloff, Taylor & Zafman LLP

(\*\*) Term: **14 Years**

(57) **CLAIM**

The ornamental design for a bassinet, as shown and described.

(21) Appl. No.: **29/324,125**

(22) Filed: **Sep. 5, 2008**

**DESCRIPTION**

(51) **LOC (9) Cl.** ..... **06-02**

FIG. 1 is a perspective view of a bassinet showing our new design.

(52) **U.S. Cl.** ..... **D6/390**

FIG. 2 is a top view thereof.

(58) **Field of Classification Search** ..... D6/390,  
D6/391, 331, 333; 5/93.1, 97, 98.1, 99.1;  
D23/278

FIG. 3 is a side view thereof.

FIG. 4 is the other side view thereof.

See application file for complete search history.

FIG. 5 is an end view thereof; and,

FIG. 6 is the other end view thereof.

(56) **References Cited**

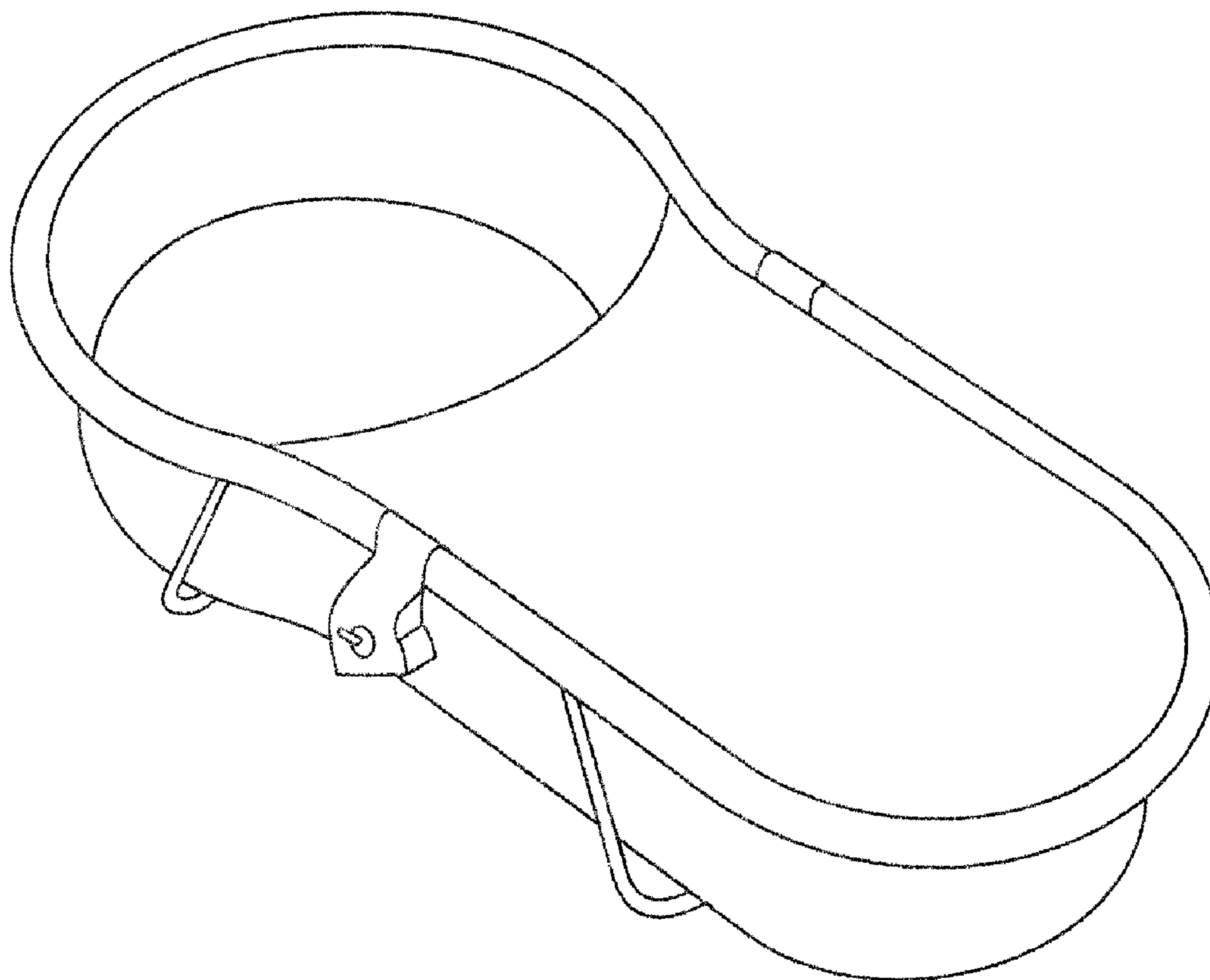
The bottom of the bassinet not shown forms no part of the claimed design.

**U.S. PATENT DOCUMENTS**

Petitioners disclaim the shape and configuration of the features shown in phantom lines.

- 573,625 A \* 12/1896 Ruffner ..... 4/588
- 4,972,532 A \* 11/1990 Juan ..... 5/94
- D350,597 S \* 9/1994 Wise ..... D23/278

**1 Claim, 6 Drawing Sheets**



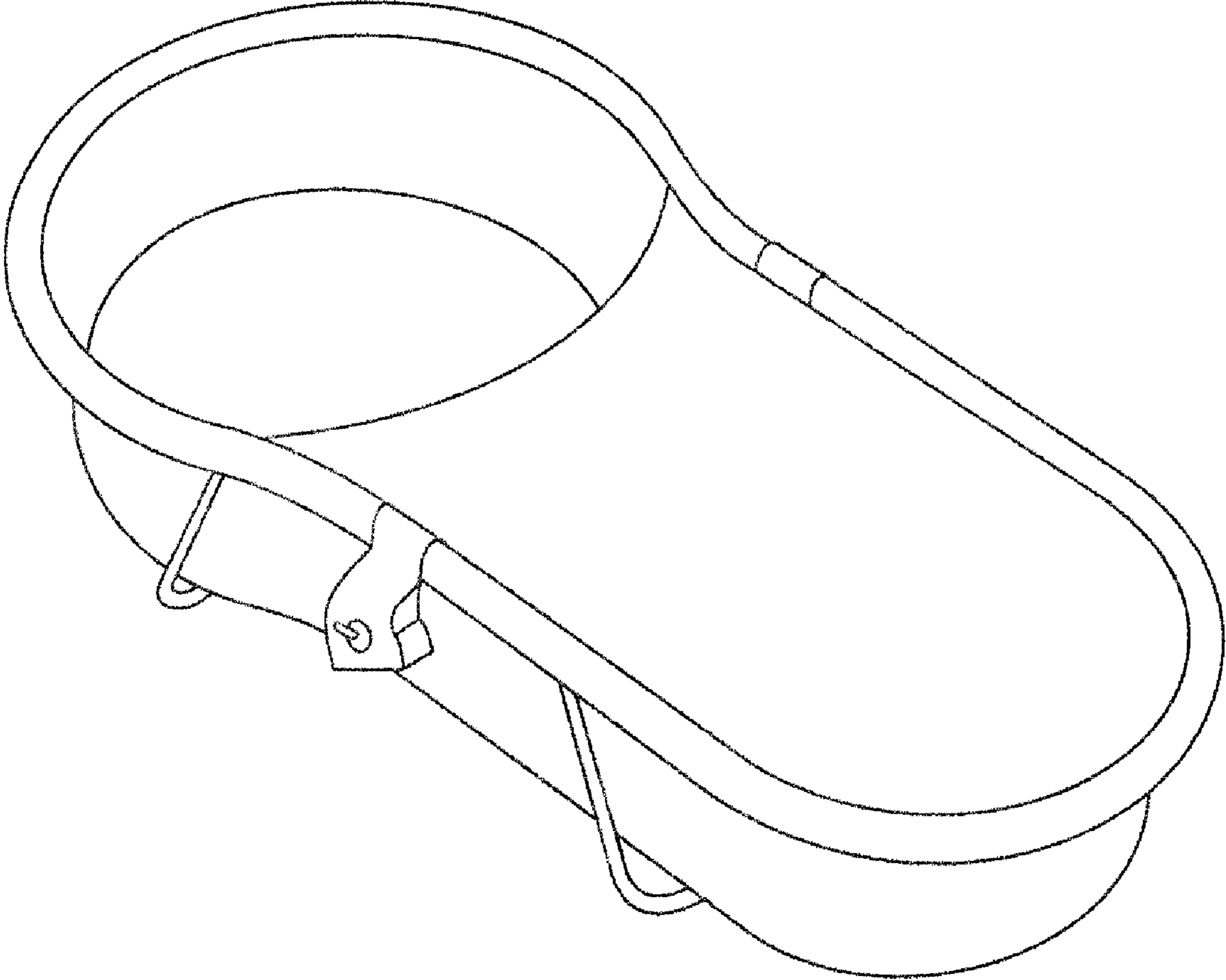


FIG. 1

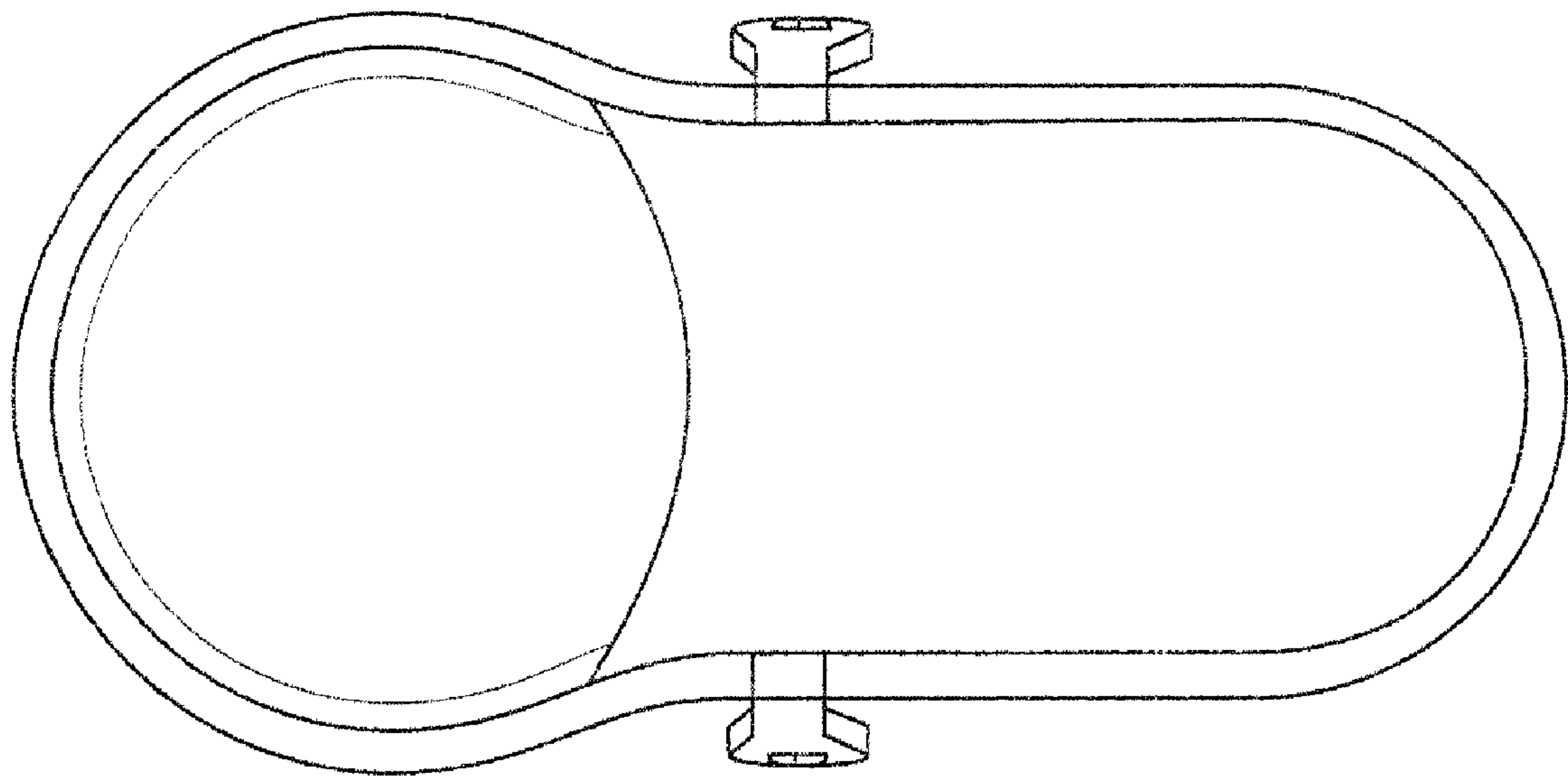


FIG. 2

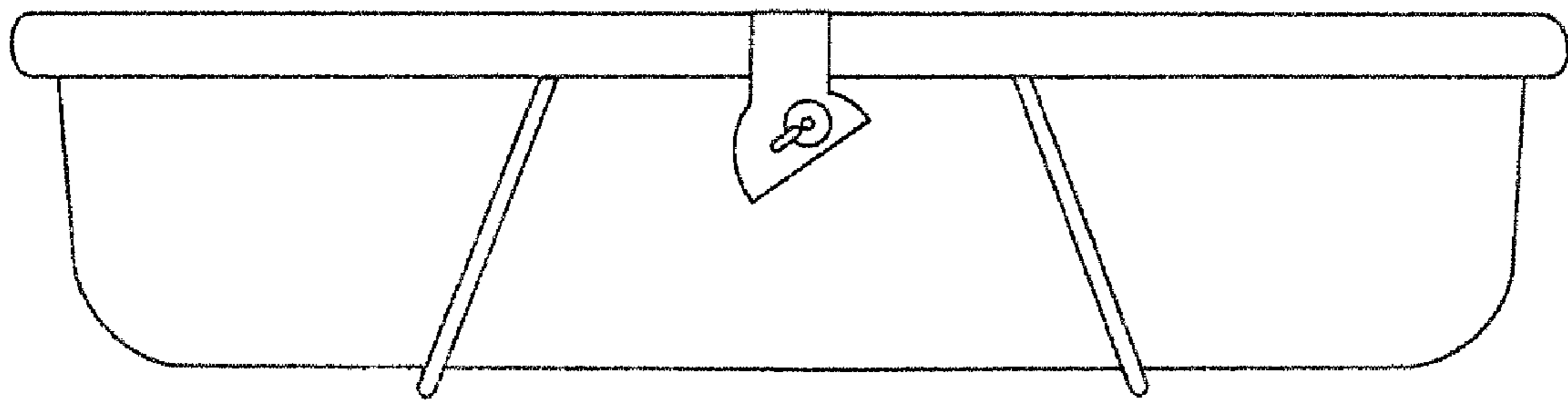


FIG. 3

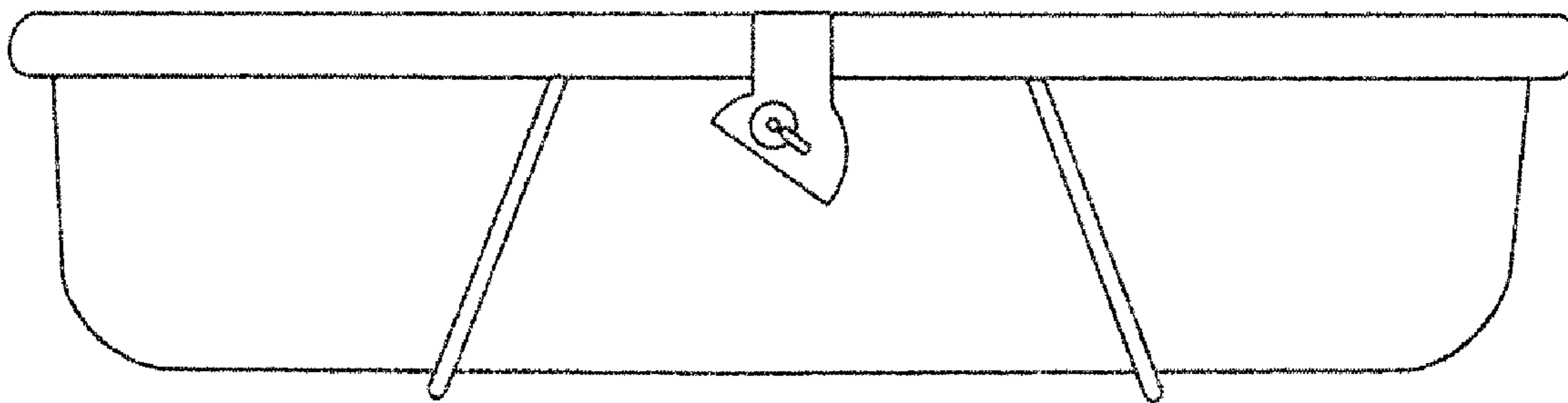
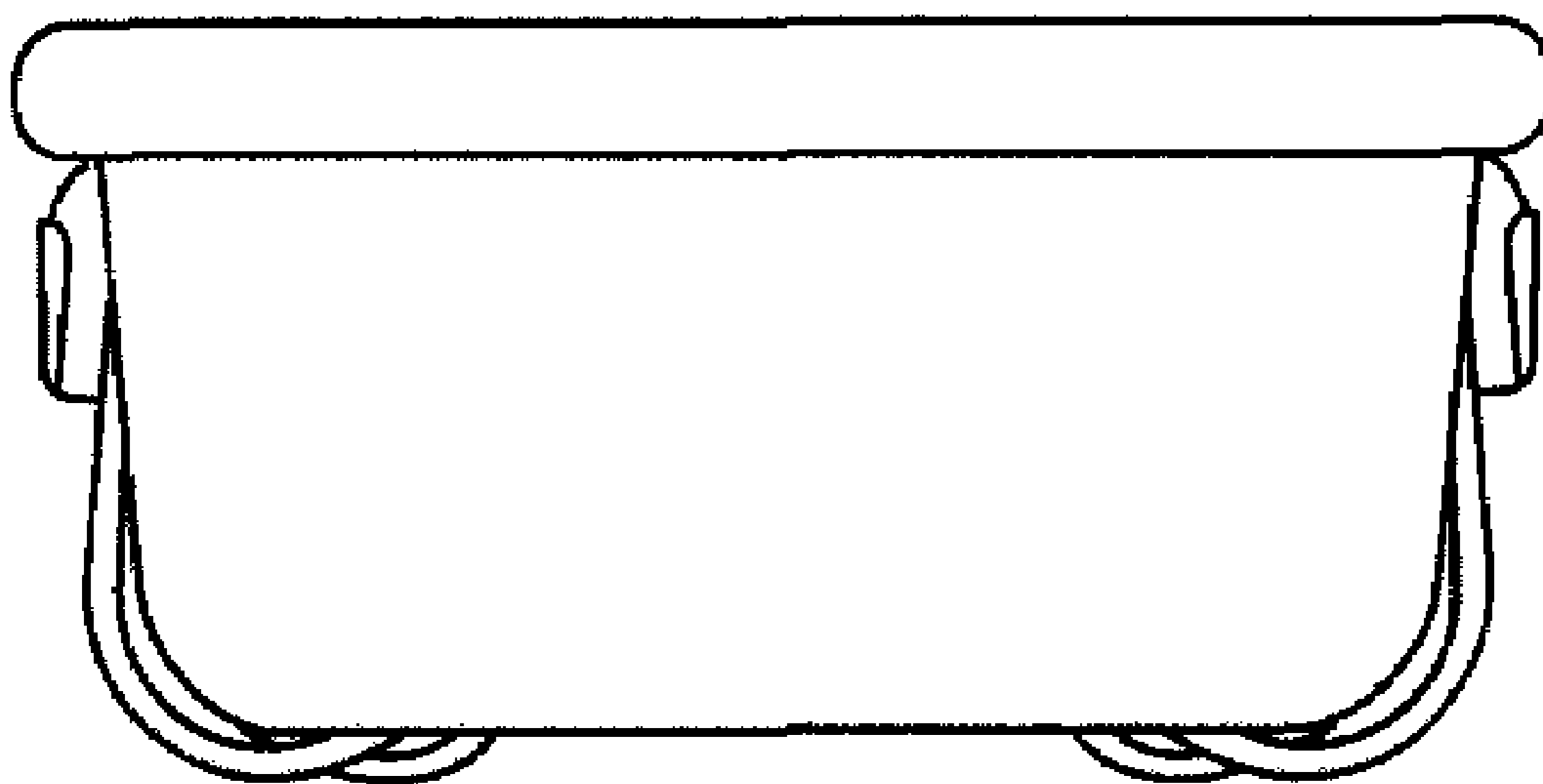
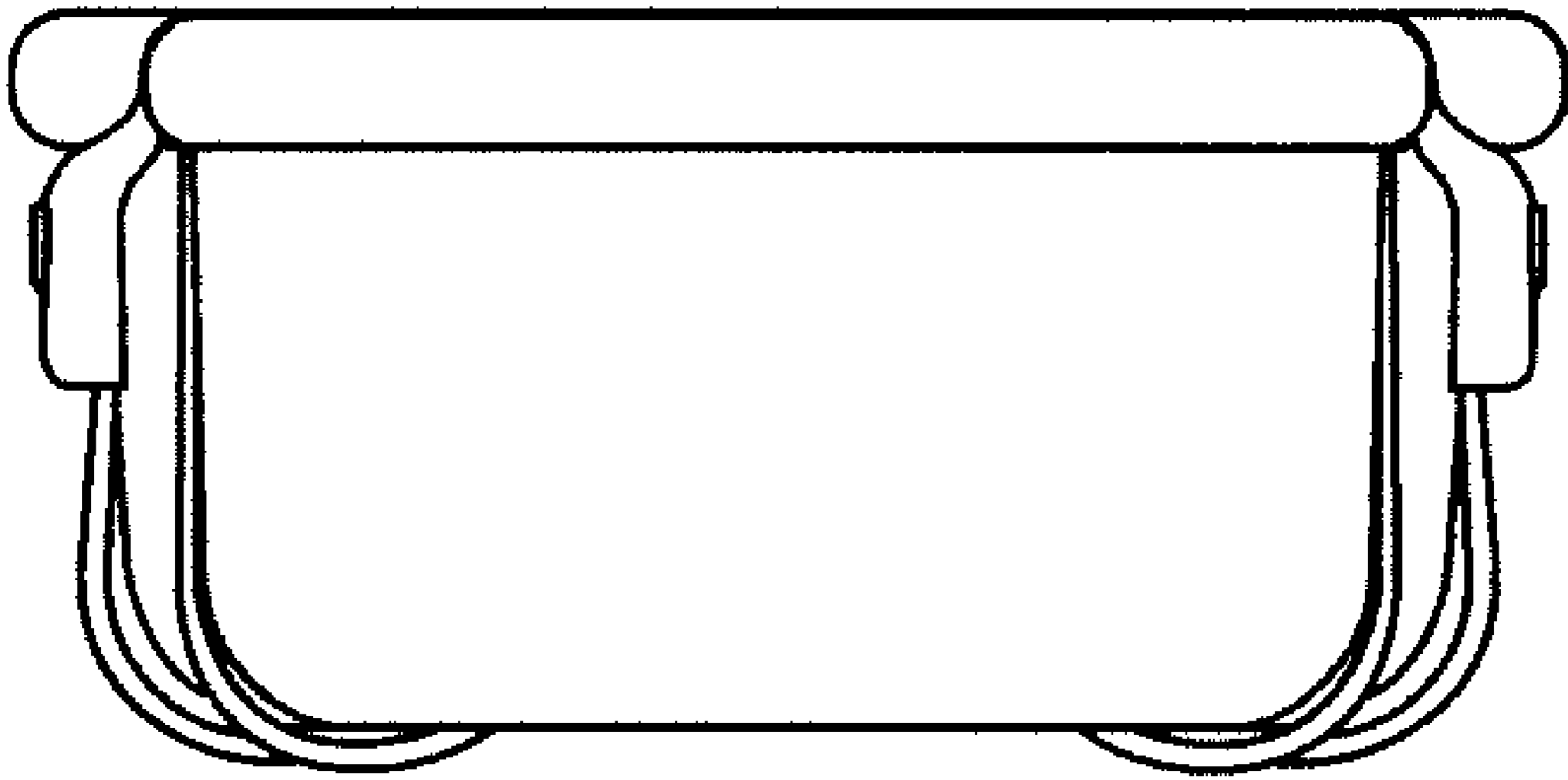


FIG. 4



**FIG. 5**



**FIG. 6**