



US00D612624S

(12) **United States Design Patent**
Lovley et al.

(10) **Patent No.:** **US D612,624 S**
(45) **Date of Patent:** **** Mar. 30, 2010**

(54) **CANOPY CHAIR**

(75) Inventors: **Jack B. Lovley**, Lake Forest, CA (US);
Anthony Armand, Huntington Beach,
CA (US)

(73) Assignee: **Bravo Sports**, Santa Fe Springs, CA
(US)

(**) Term: **14 Years**

(21) Appl. No.: **29/339,238**

(22) Filed: **Jun. 26, 2009**

Related U.S. Application Data

(63) Continuation-in-part of application No. 12/333,713,
filed on Dec. 12, 2008.

(51) **LOC (9) Cl.** **06-01**

(52) **U.S. Cl.** **D6/368**

(58) **Field of Classification Search** D6/334–336,
D6/367, 368, 374, 375, 379, 380, 500–502;
297/16.1, 16.2, 45, 46, 55–57, 184.1, 184.14,
297/184.15, 440.11, 452.12, 452.13

See application file for complete search history.

(56) **References Cited**

U.S. PATENT DOCUMENTS

5,893,605 A * 4/1999 Chang 297/188.14
D432,325 S * 10/2000 Zheng et al. D6/368
6,382,715 B1 * 5/2002 Tang 297/16.2
6,644,731 B2 * 11/2003 Tang 297/16.2
6,682,135 B2 * 1/2004 Zheng 297/16.2
D494,769 S * 8/2004 Vigneaud D6/368
6,899,383 B2 * 5/2005 Hwang 297/16.2
D529,304 S * 10/2006 Le Gal D6/368

2003/0052518 A1 * 3/2003 Zheng 297/16.2
2003/0127885 A1 * 7/2003 Tang 297/16.2
2007/0040422 A1 * 2/2007 Reeb et al. 297/184.1
2009/0026809 A1 * 1/2009 Reeb et al. 297/16.1
2009/0218856 A1 * 9/2009 Sykes et al. 297/184.15

* cited by examiner

Primary Examiner—Mimosa De

(74) *Attorney, Agent, or Firm*—Holland & Hart LLP

(57) **CLAIM**

The ornamental design for a canopy chair, as shown and
described.

DESCRIPTION

FIG. 1 is a perspective view of a canopy chair showing our
new design;

FIG. 2 is a front side elevation view thereof,

FIG. 3 is a back side view thereof,

FIG. 4 is a right side elevation view thereof,

FIG. 5 is a left side elevation view thereof,

FIG. 6 is a top plan view thereof,

FIG. 7 is a bottom plan view thereof,

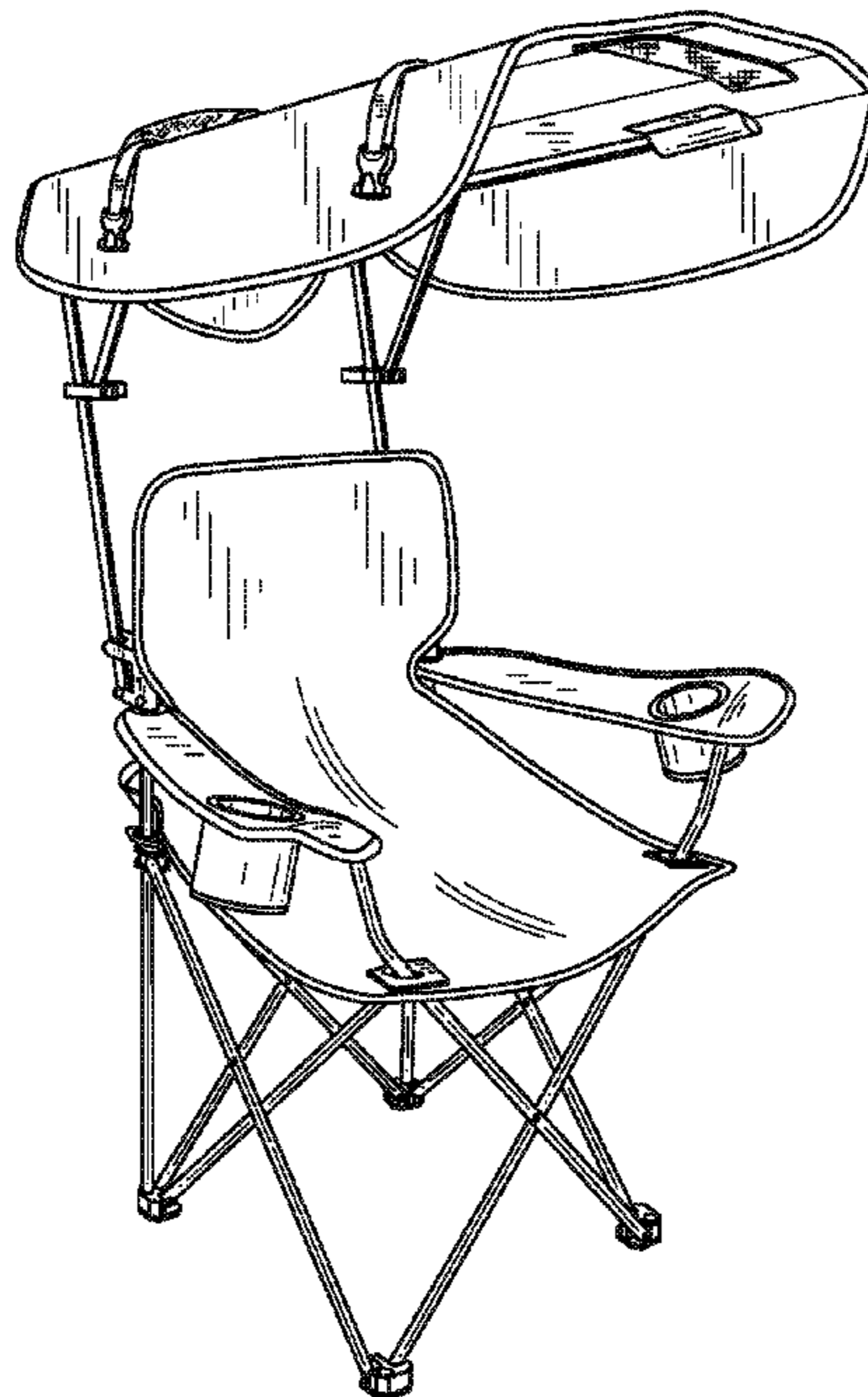
FIG. 8 is a front side elevation view of the canopy chair with
the canopy tilted towards the left,

FIG. 9 is a front side elevation view of the canopy chair with
the canopy tilted still further towards the left,

FIG. 10 is a front side elevation view of the canopy chair with
the canopy tilted towards the right; and,

FIG. 11 is a front side elevation view of the canopy chair with
the canopy tilted still further towards the right.

1 Claim, 11 Drawing Sheets



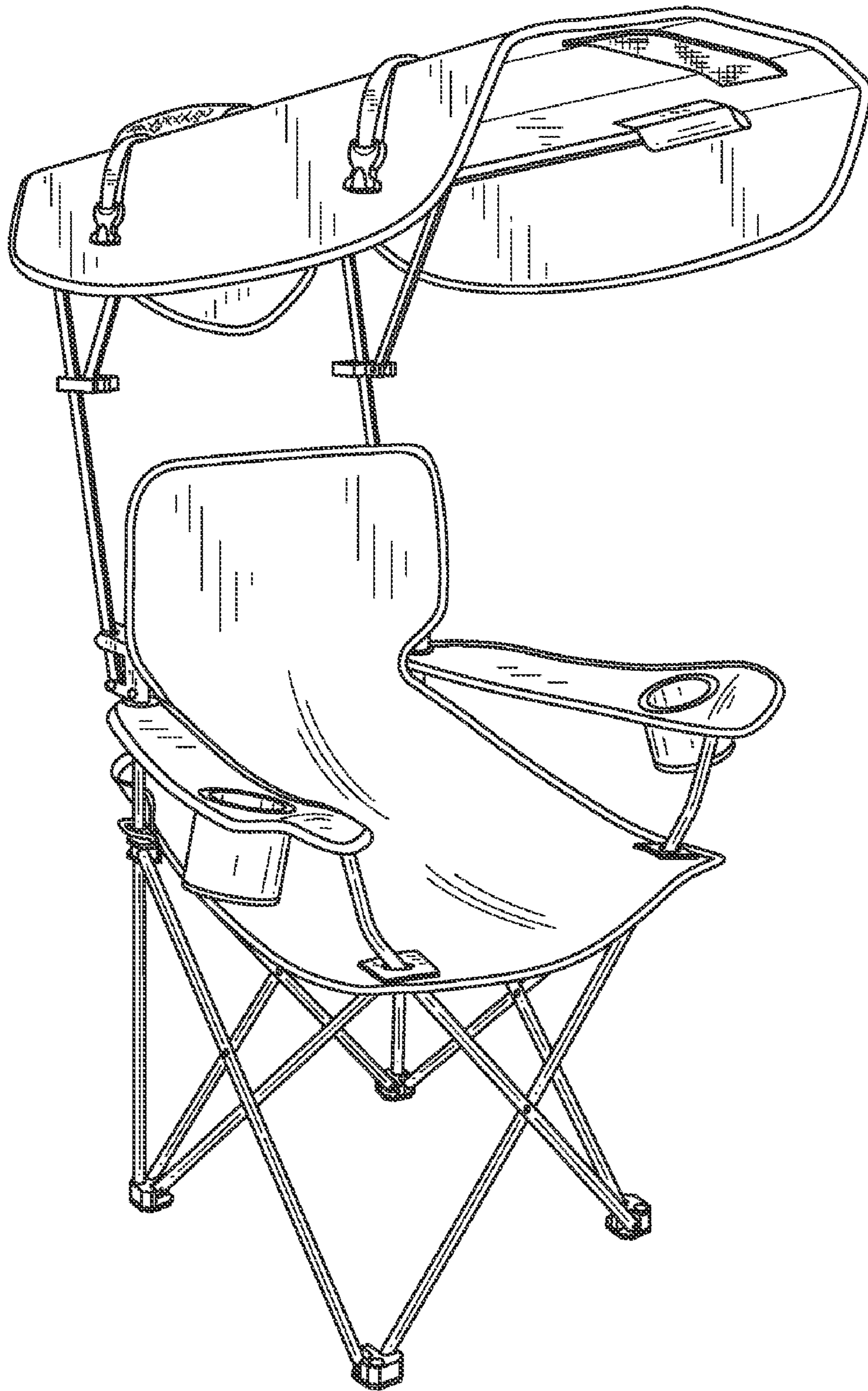


FIG. 1

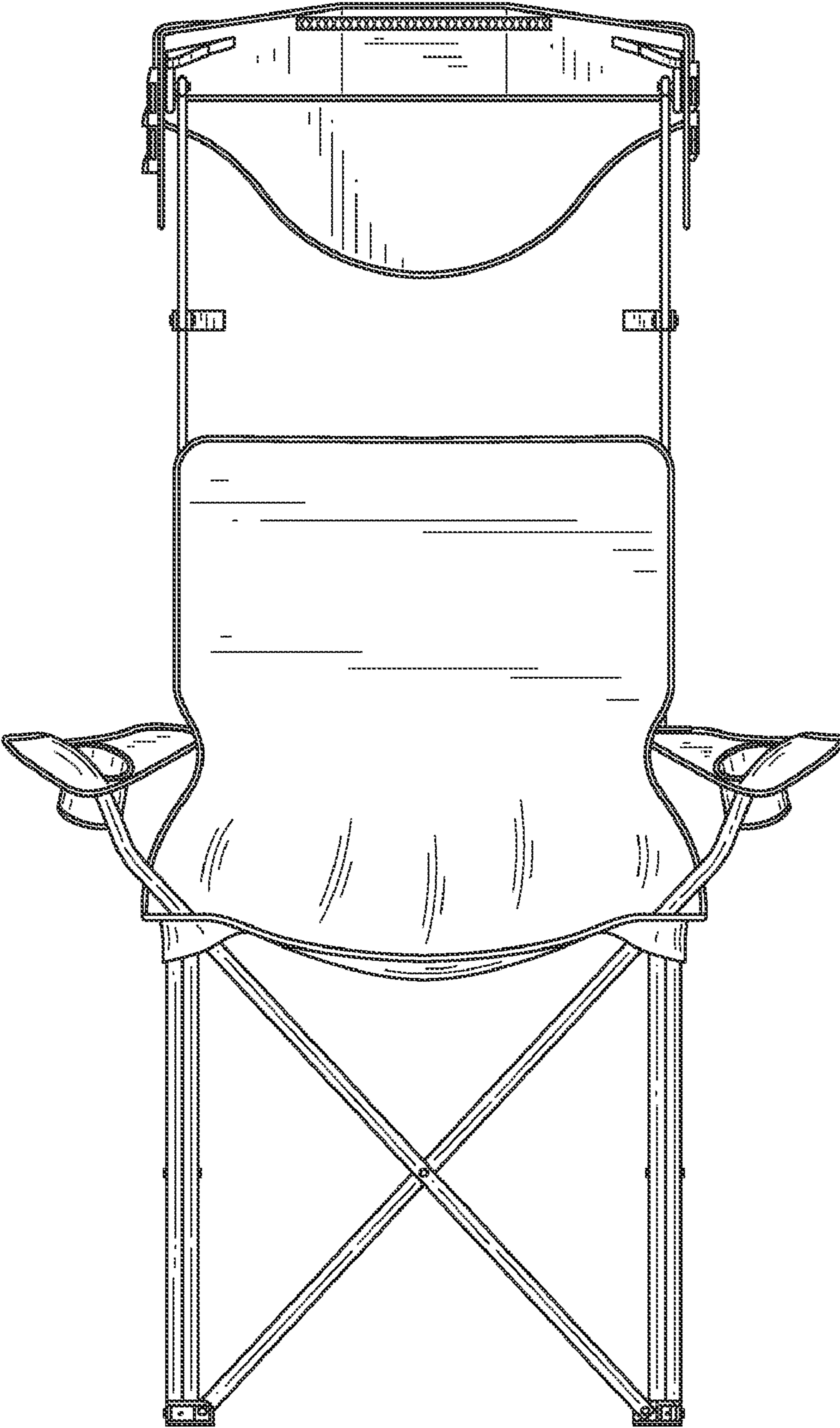


FIG. 2

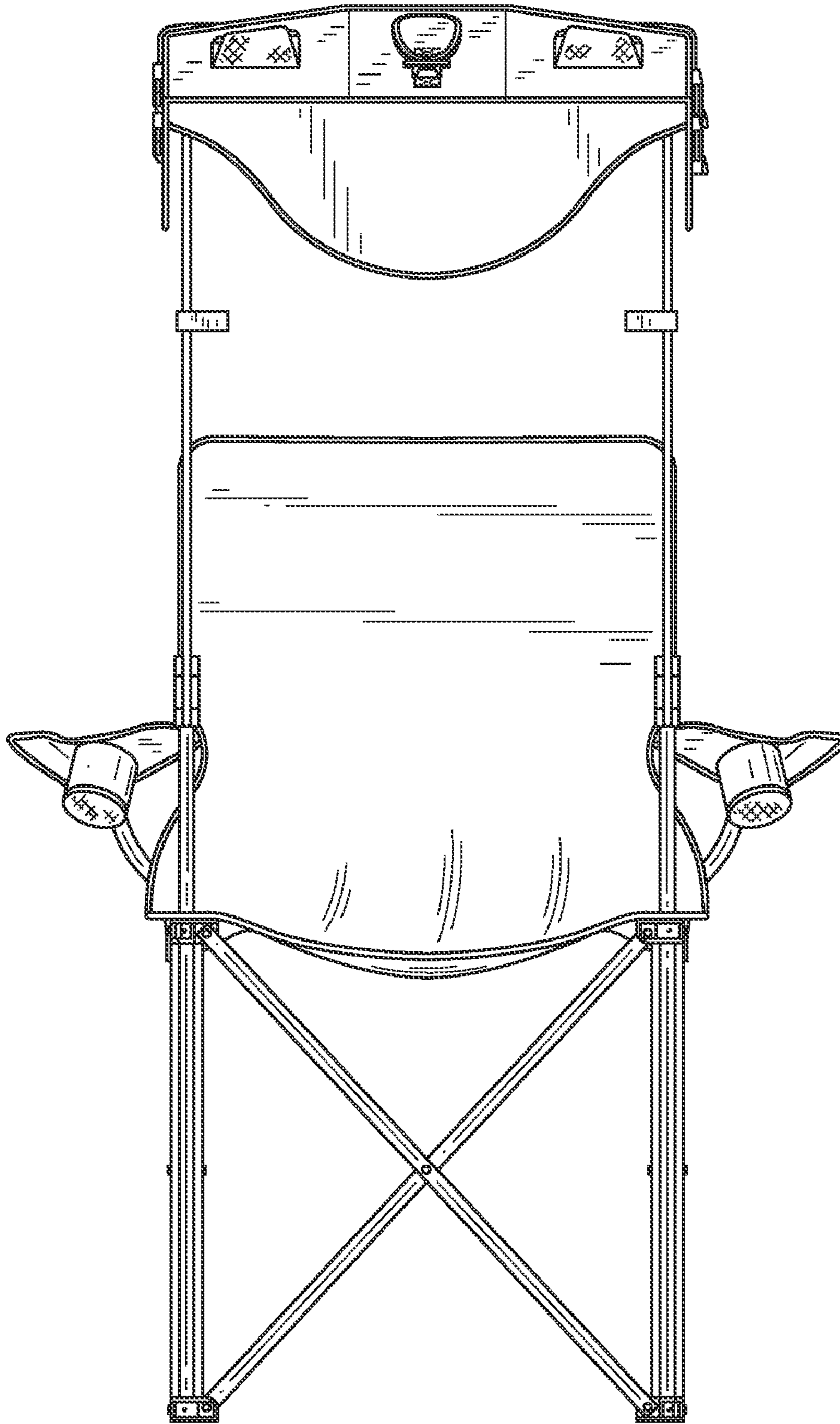


FIG.3

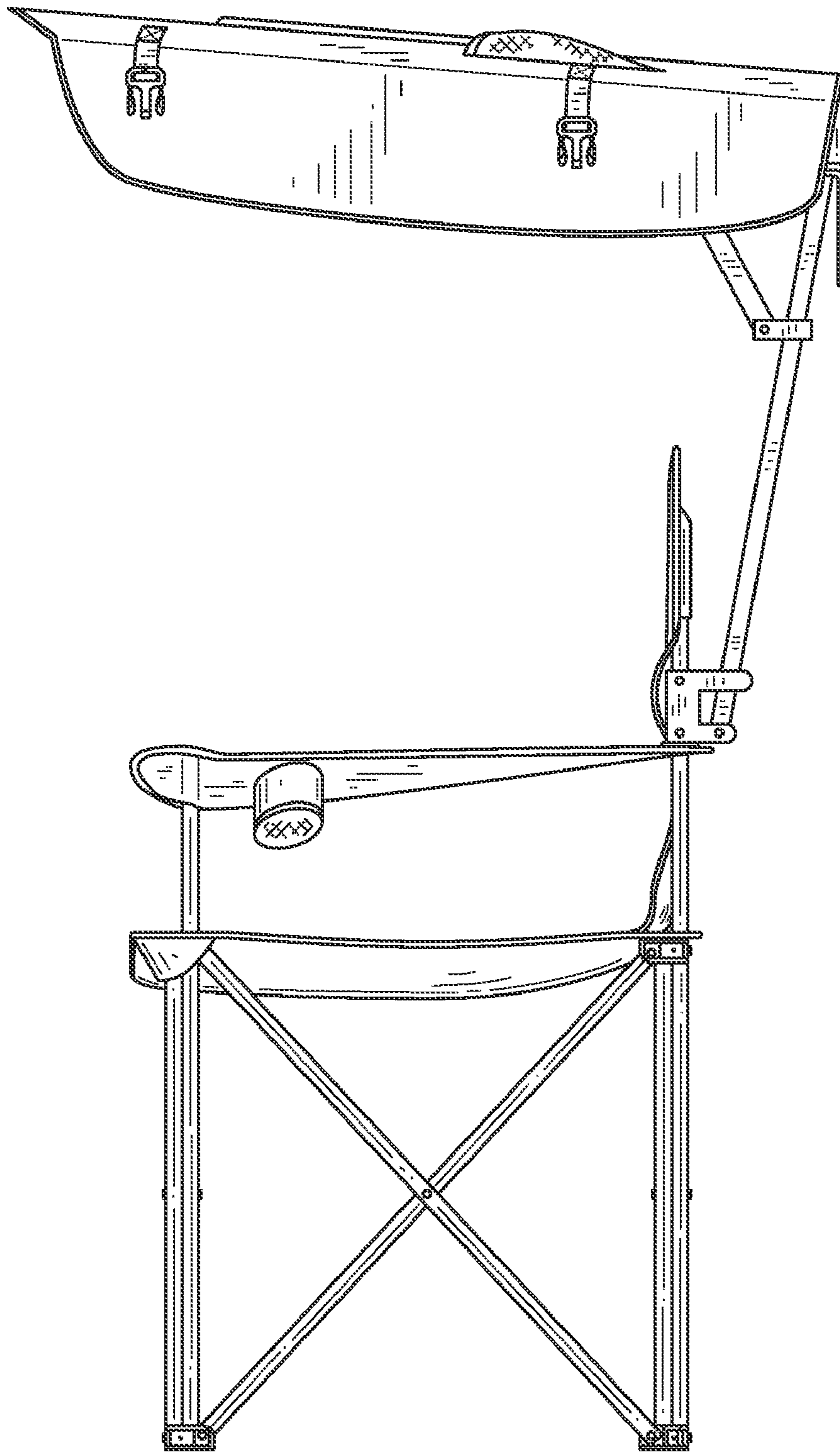


FIG. 4

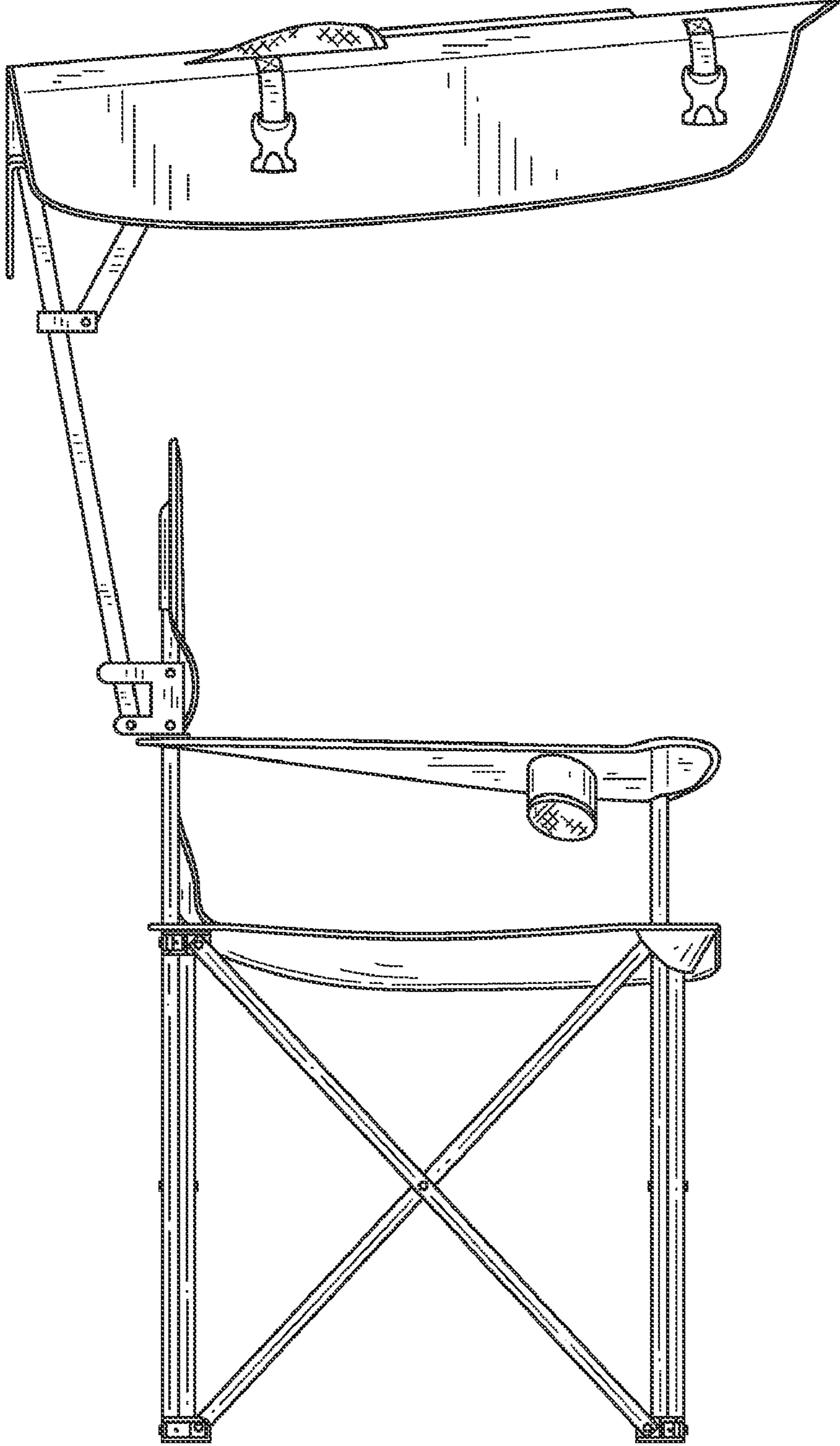


FIG.5

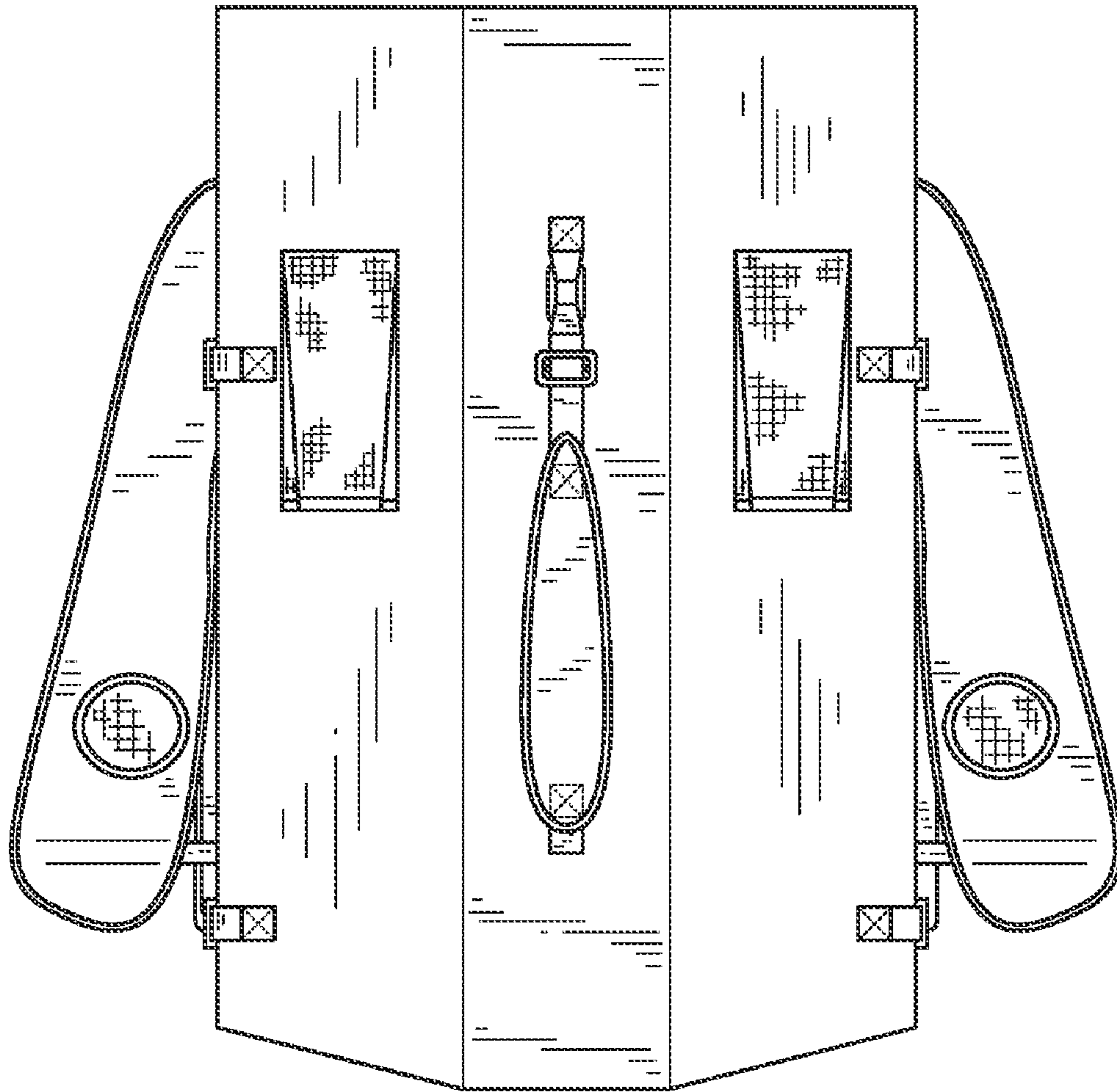


FIG.6

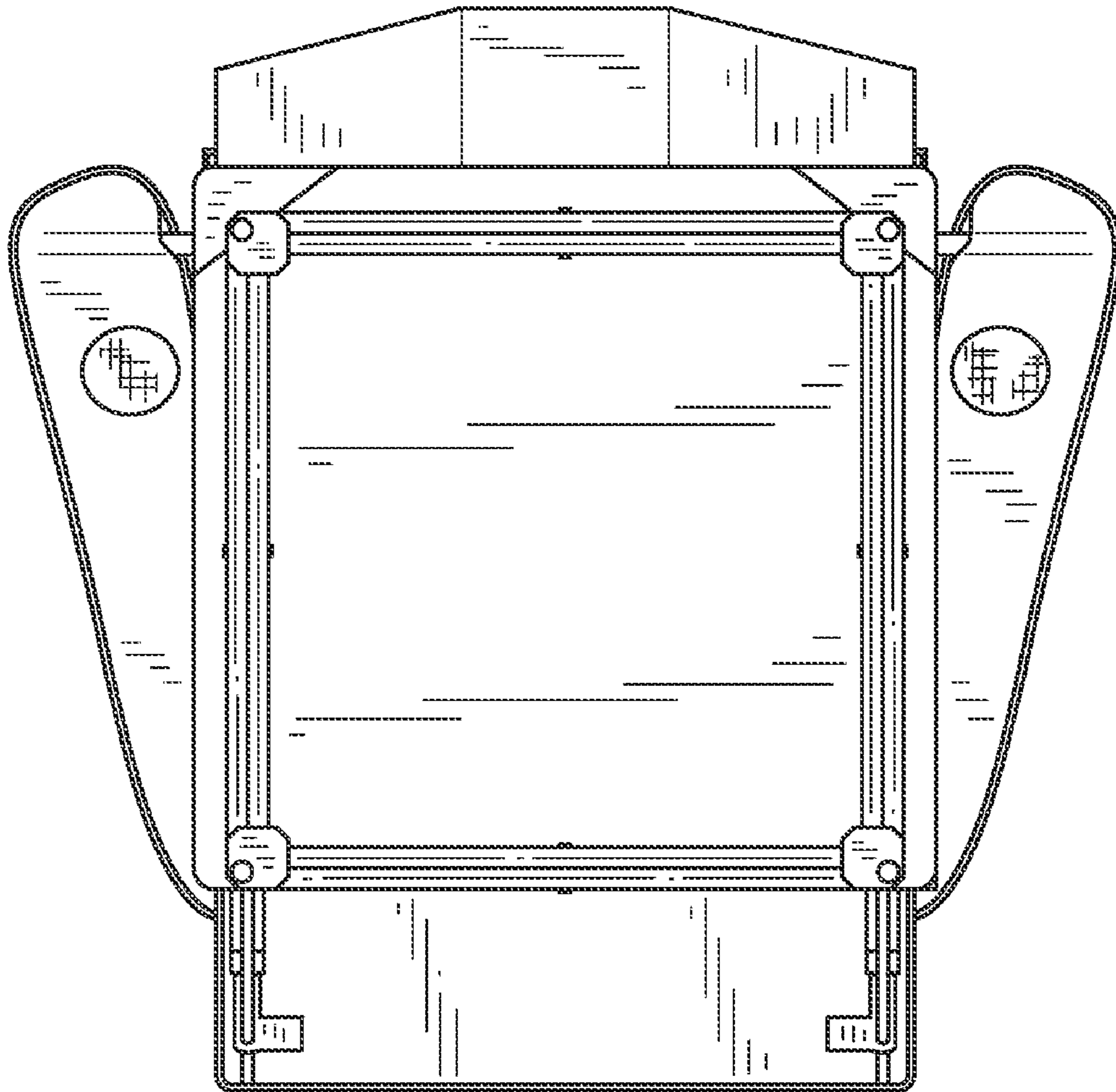


FIG.7

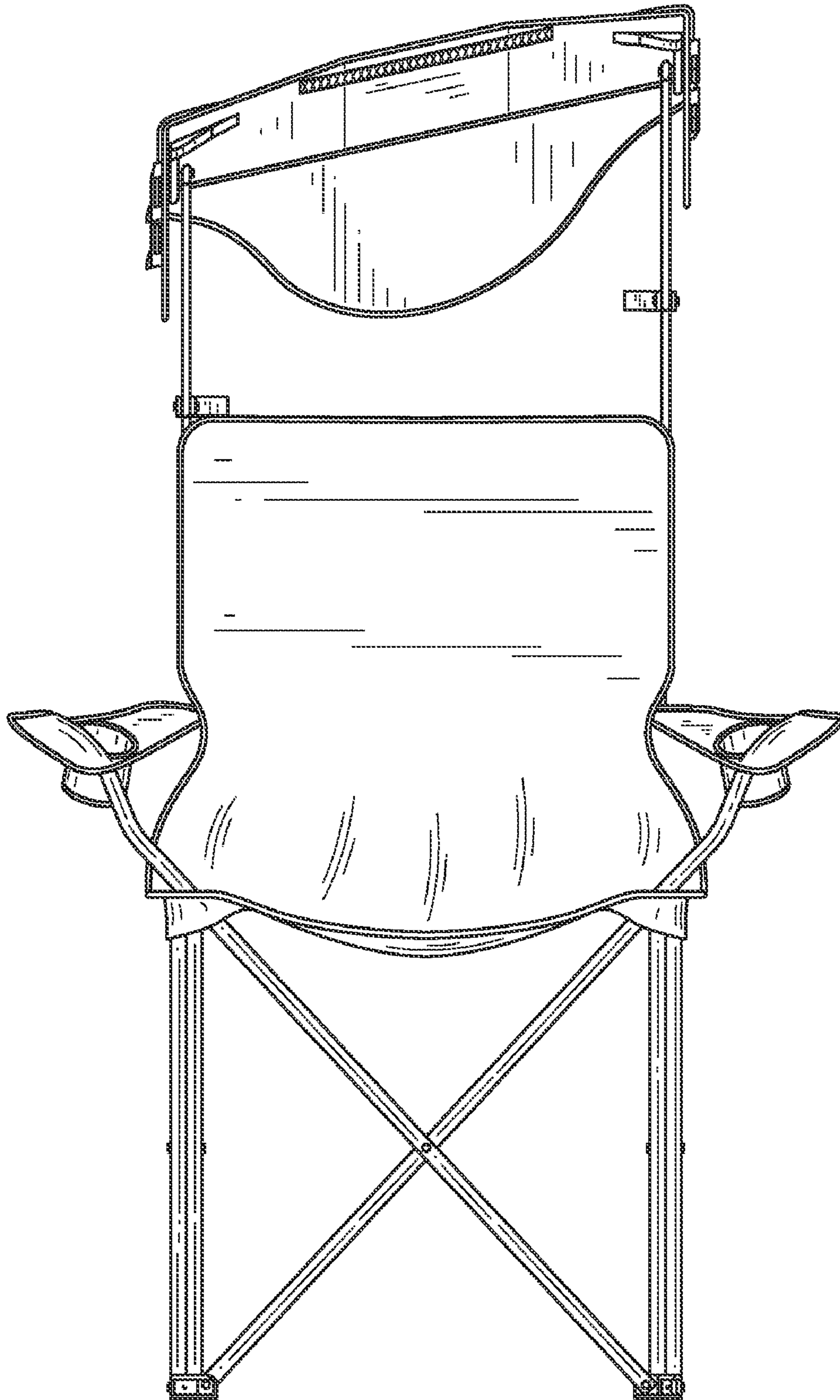


FIG. 8

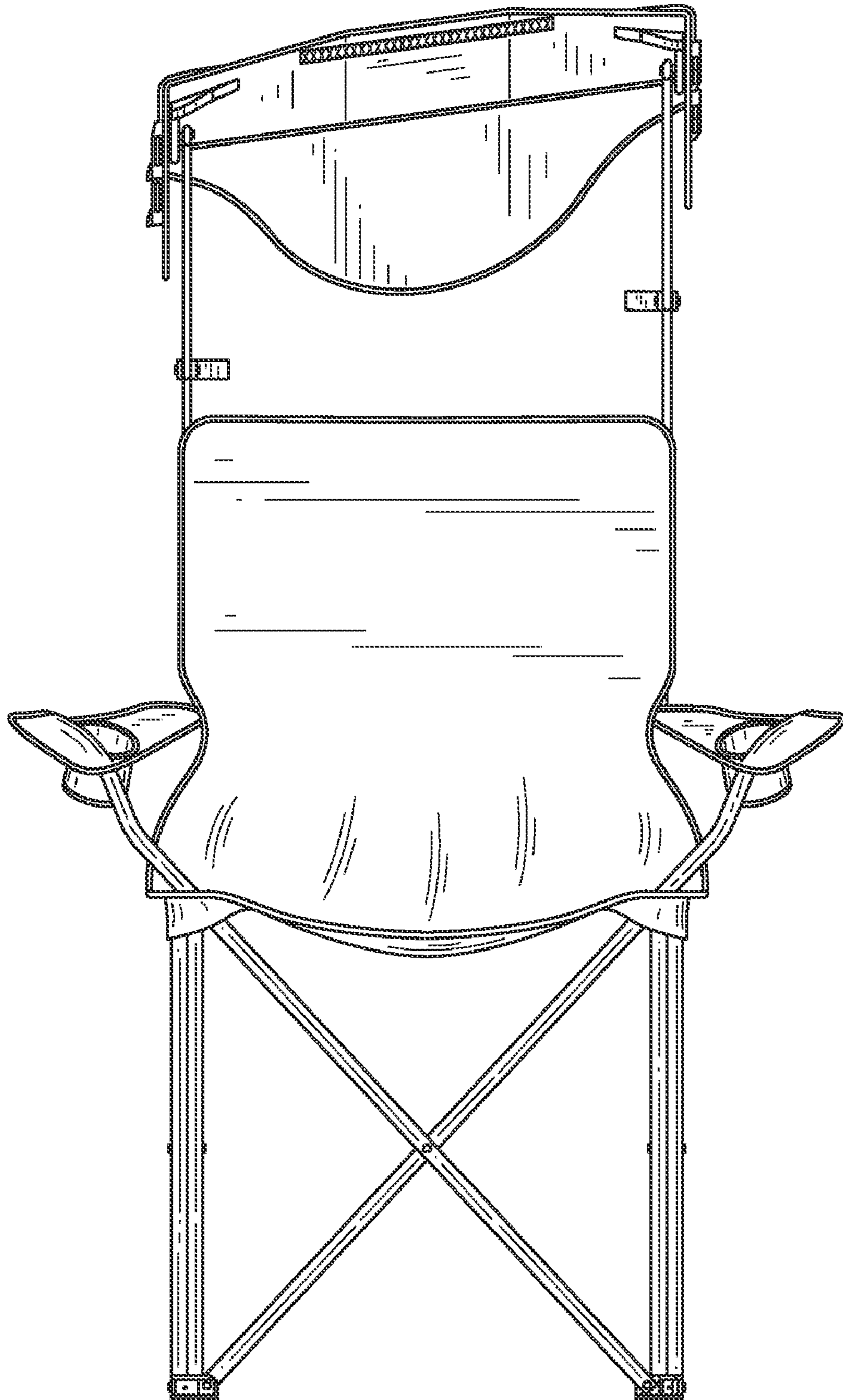


FIG. 9

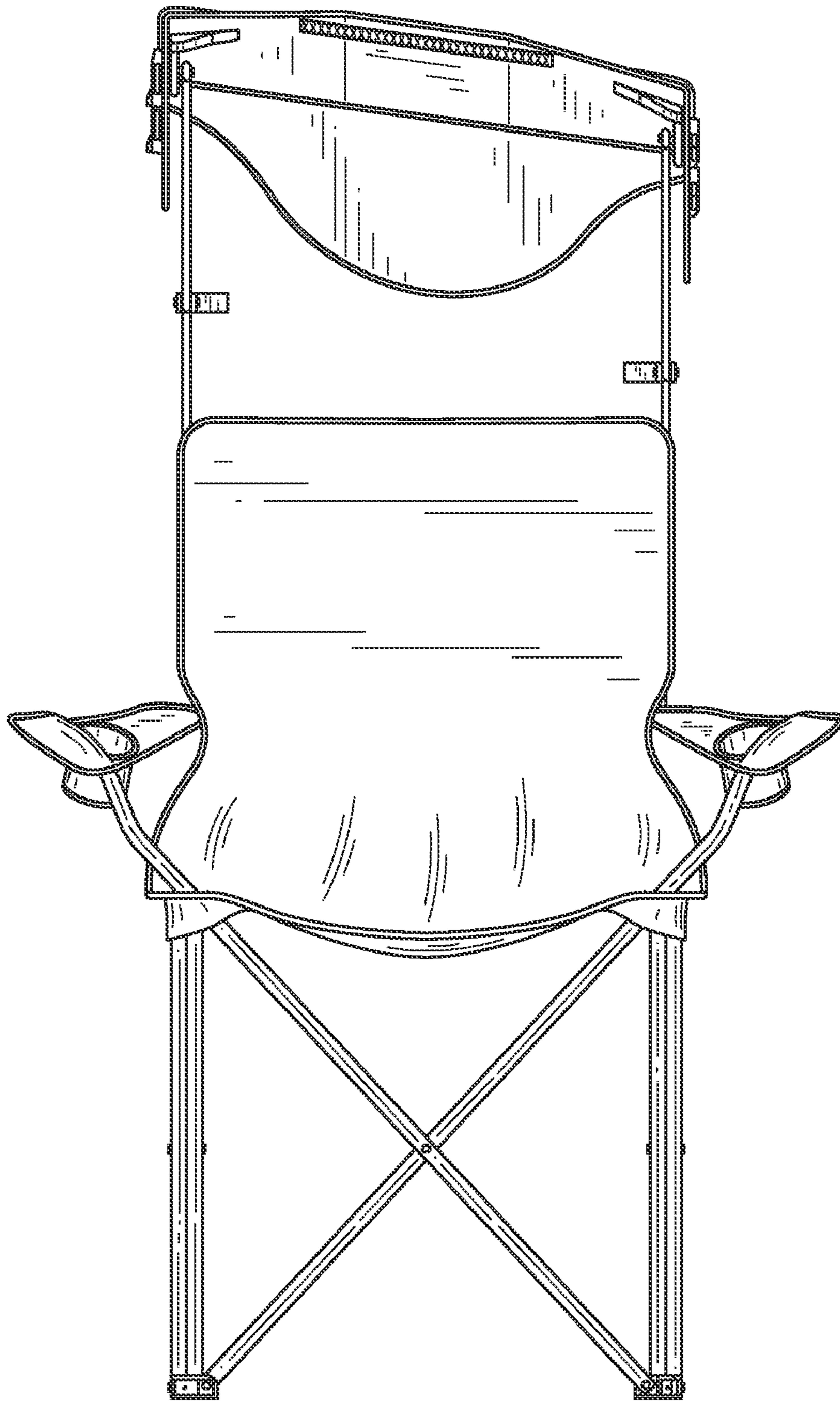


FIG. 10

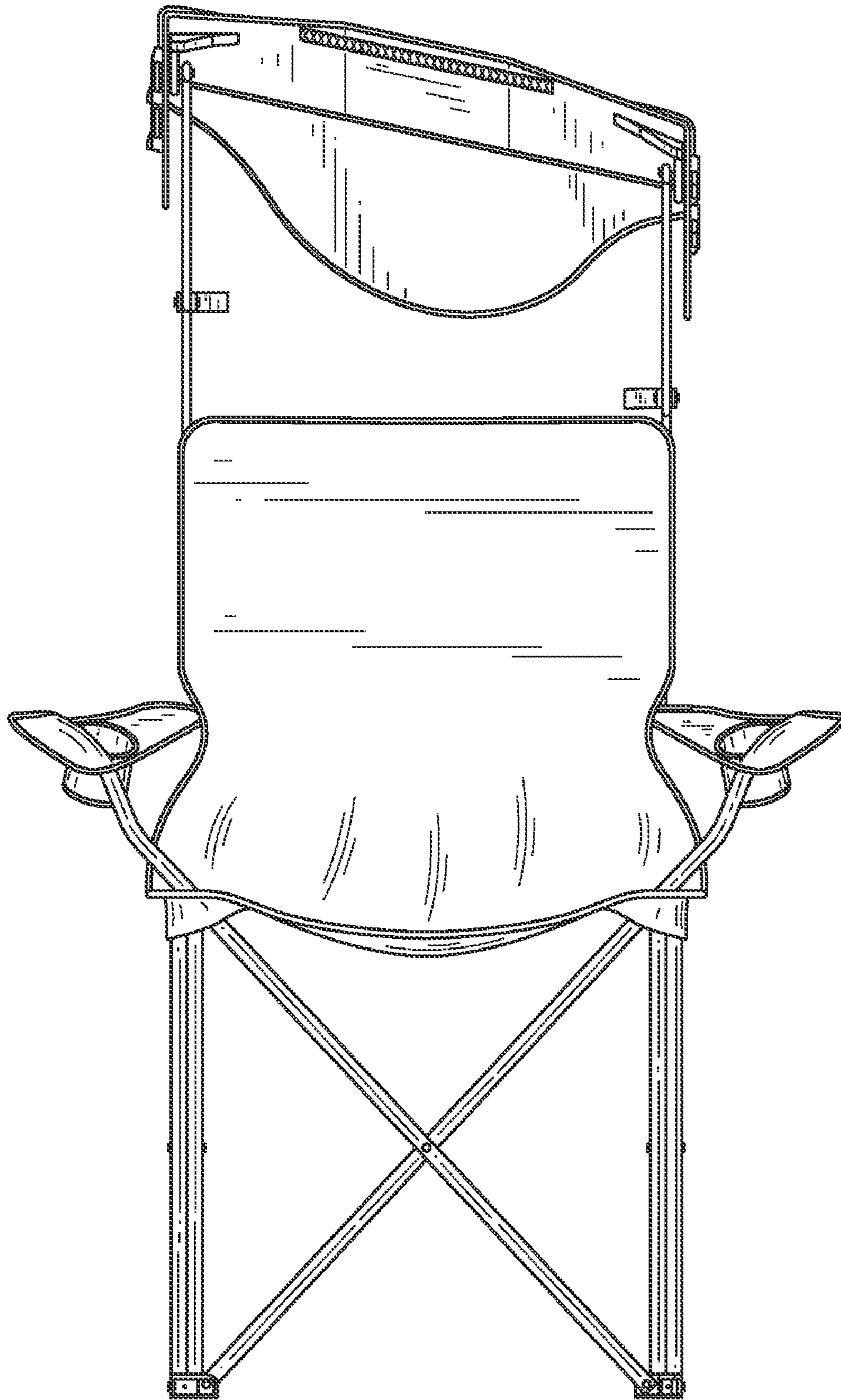


FIG. 11