



US00D612623S

(12) **United States Design Patent**
Smit

(10) **Patent No.:** **US D612,623 S**
(45) **Date of Patent:** **** Mar. 30, 2010**

(54) **PLAYSEAT**

(75) Inventor: **Fernando Smit**, Doetinchem (NL)

(73) Assignee: **F. Smit Holding B.V.** (NL)

(**) Term: **14 Years**

(21) Appl. No.: **29/340,905**

(22) Filed: **Jul. 28, 2009**

(30) **Foreign Application Priority Data**

Jan. 28, 2009 (EM) 1077754-0001
Jan. 28, 2009 (EM) 1077754-0002
Jan. 28, 2009 (EM) 1077754-0003

(51) **LOC (9) Cl.** **06-01**

(52) **U.S. Cl.** **D6/366**

(58) **Field of Classification Search** D6/334-336,
D6/338, 356, 364, 365, 366, 367, 368, 374,
D6/375, 498, 500-502; 297/135, 172, 173,
297/174 R, 188.21, 217.3, 217.4, 411.27,
297/411.36, 445.1, 446.1, 452.12, 452.29
See application file for complete search history.

(56) **References Cited**

U.S. PATENT DOCUMENTS

D283,469 S * 4/1986 Zimmerman D6/356
4,880,270 A * 11/1989 Cooper 297/188.21

D411,690 S * 6/1999 Kneip et al. D6/356
D465,343 S * 11/2002 Daneault D6/338
D509,077 S * 9/2005 Beermann et al. D6/356
D513,894 S * 1/2006 Juraschek D6/356
D532,211 S * 11/2006 Su D6/366
D542,547 S * 5/2007 Su D6/366
D549,475 S * 8/2007 Su et al. D6/366
D587,476 S * 3/2009 Lenterman D6/366
D598,207 S * 8/2009 Smit D6/335

* cited by examiner

Primary Examiner—Mimosa De

(74) *Attorney, Agent, or Firm*—Jennifer Lacroix, Esq.; DLA Piper LLP US

(57) **CLAIM**

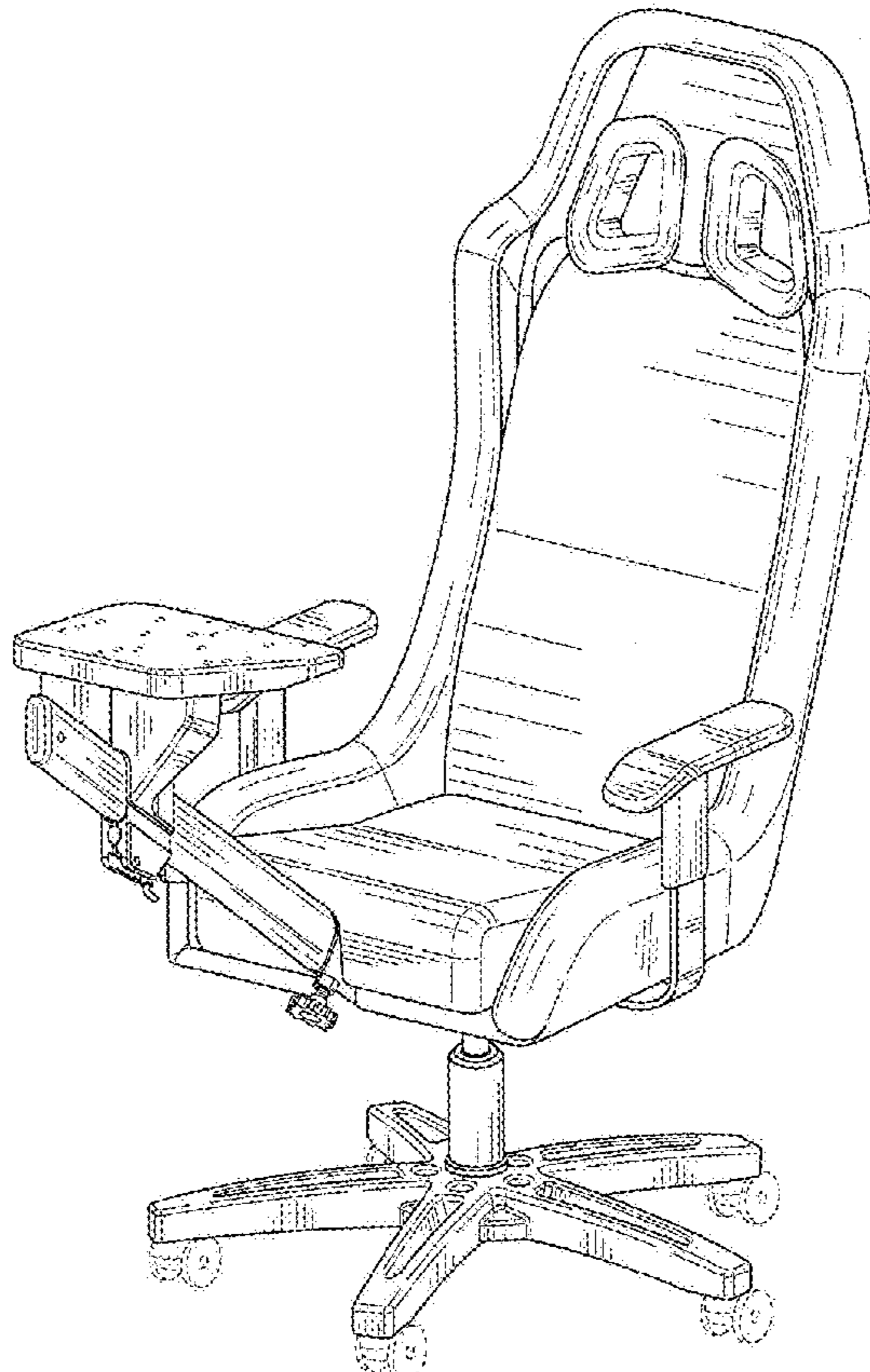
The ornamental design for an playseat, as shown and described.

DESCRIPTION

FIG. 1 is a left perspective view of the playseat;
FIG. 2 is a right perspective view of the playseat;
FIG. 3 is a right side elevational view of the playseat; and,
FIG. 4 is a left side elevational view of the playseat.

The broken lines in the drawings are included for the purpose of illustrating environmental structure and form no part of the claimed design.

1 Claim, 4 Drawing Sheets



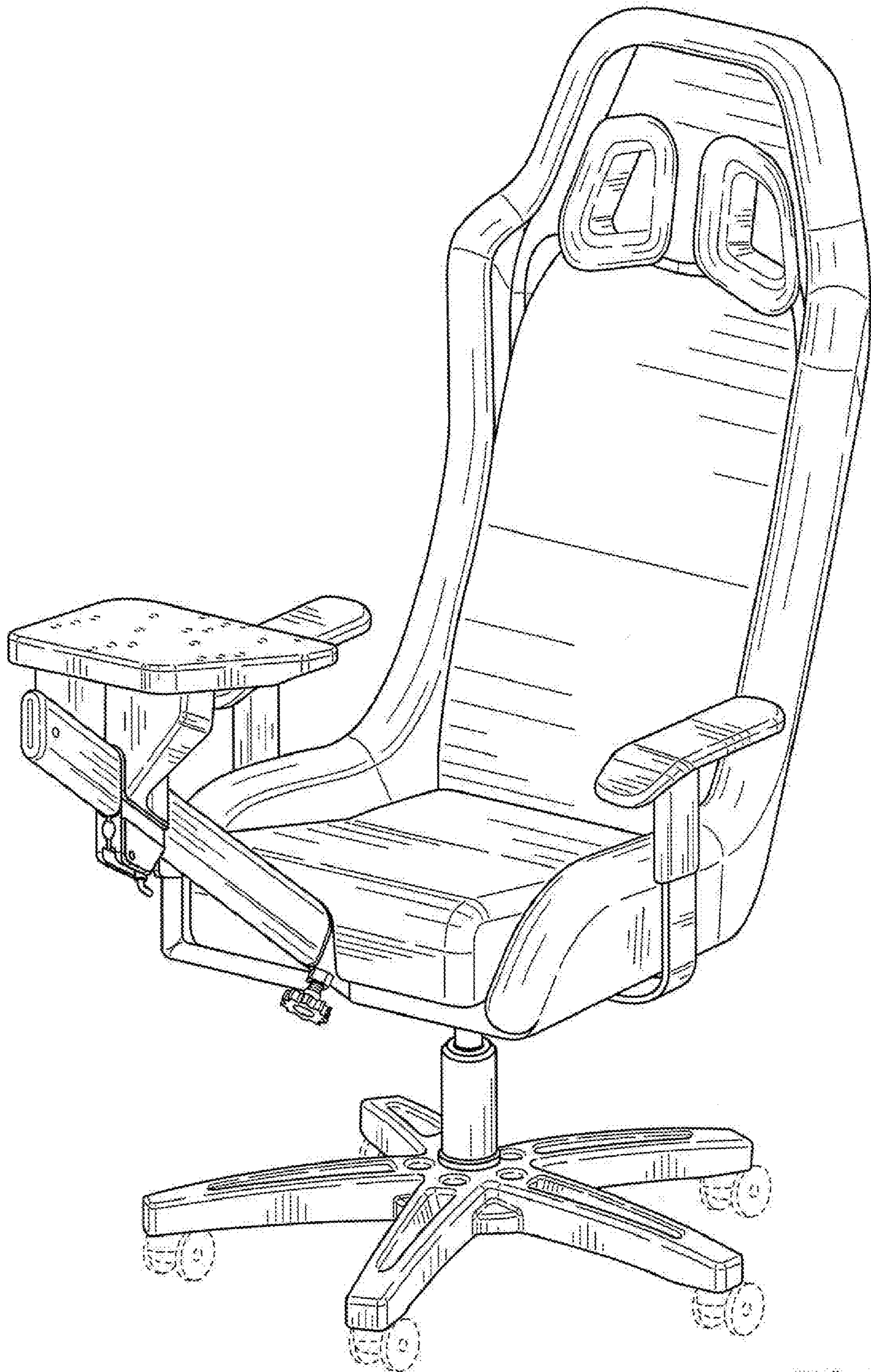


FIG. 1



FIG. 2

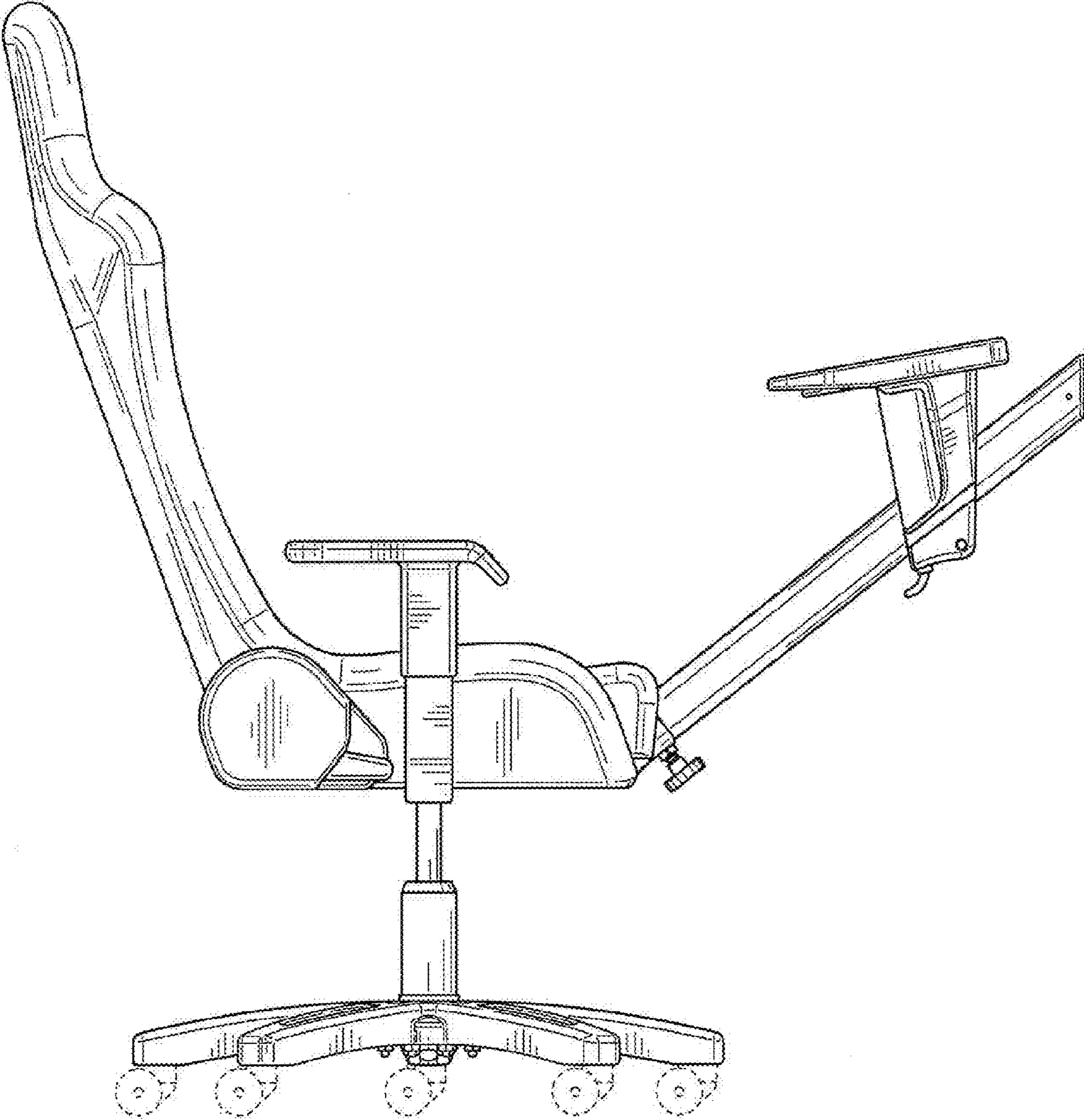


FIG. 3

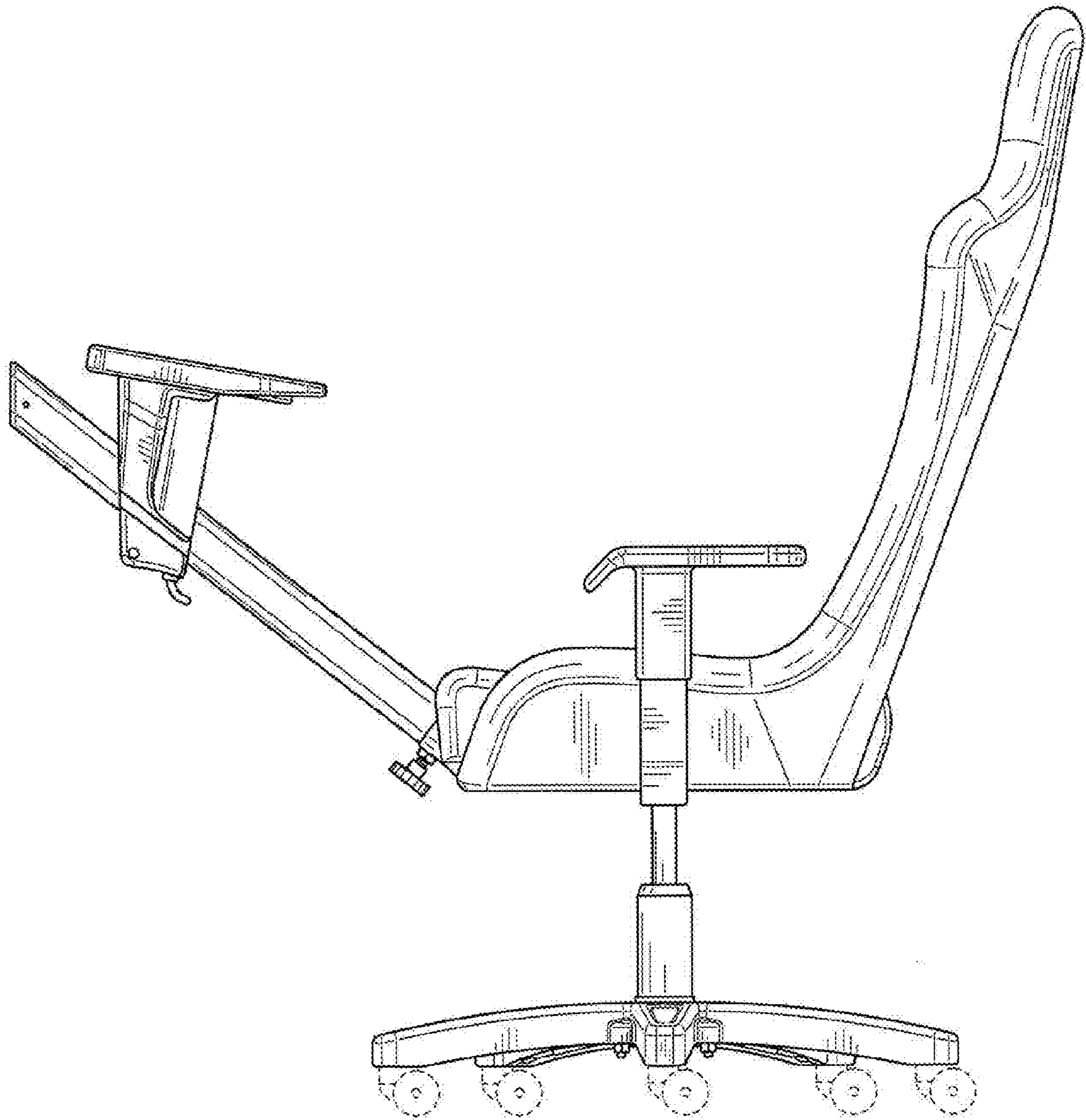


FIG. 4