



US00D612618S

(12) **United States Design Patent**  
**Levin et al.**

(10) **Patent No.:** **US D612,618 S**  
(45) **Date of Patent:** **\*\* Mar. 30, 2010**

(54) **TIE AND BELT RACK**

(75) Inventors: **Gregg M. Levin**, Boston, MA (US);  
**Guang Yu Gao**, Malden, MA (US)

(73) Assignee: **Perfect Curve, Inc.**, Boston, MA (US)

(\*\*) Term: **14 Years**

(21) Appl. No.: **29/315,126**

(22) Filed: **May 29, 2009**

(51) **LOC (9) Cl.** ..... **06-08**

(52) **U.S. Cl.** ..... **D6/315**

(58) **Field of Classification Search** ..... D6/315,  
D6/317, 320, 324; 211/1, 13.1, 85.3, 86.01;  
223/85-98

See application file for complete search history.

(56) **References Cited**

**U.S. PATENT DOCUMENTS**

D126,829 S *	4/1941	Avery	.....	D6/315
D168,264 S *	11/1952	Homola	.....	D6/315
D207,076 S *	2/1967	Bertram et al.	.....	D6/315
D238,032 S *	12/1975	Duncan	.....	D6/315
D320,118 S *	9/1991	Testa	.....	D6/317
D320,699 S *	10/1991	Beloe	.....	D6/317

D353,943 S *	1/1995	Varin	.....	D6/317
D362,756 S *	10/1995	Finger	.....	D6/317
D499,255 S *	12/2004	Goodman et al.	.....	D6/317

\* cited by examiner

*Primary Examiner*—Stella M Reid

*Assistant Examiner*—Shanda C Hill

(74) *Attorney, Agent, or Firm*—William Nitkin

(57) **CLAIM**

The ornamental design for a tie and belt rack, as shown and described.

**DESCRIPTION**

FIG. 1 is a rear elevational view of a tie and belt rack showing our new design;

FIG. 2 is a front elevational view thereof;

FIG. 3 is a top plan view thereof;

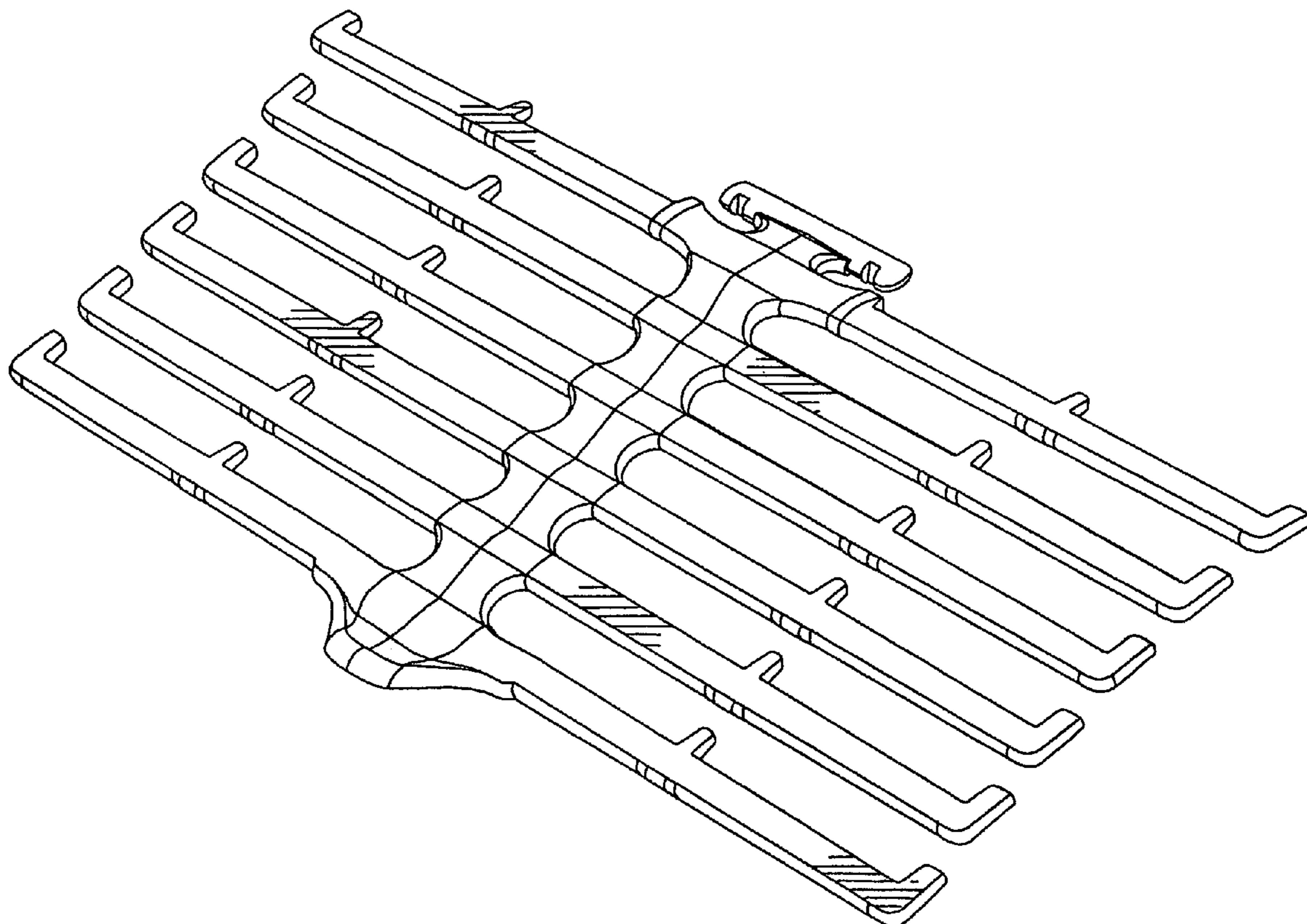
FIG. 4 is a bottom plan view thereof;

FIG. 5 is a left side elevational view thereof; and

FIG. 6 is a right side elevational view thereof; and,

FIG. 7 is a perspective view thereof.

**1 Claim, 7 Drawing Sheets**



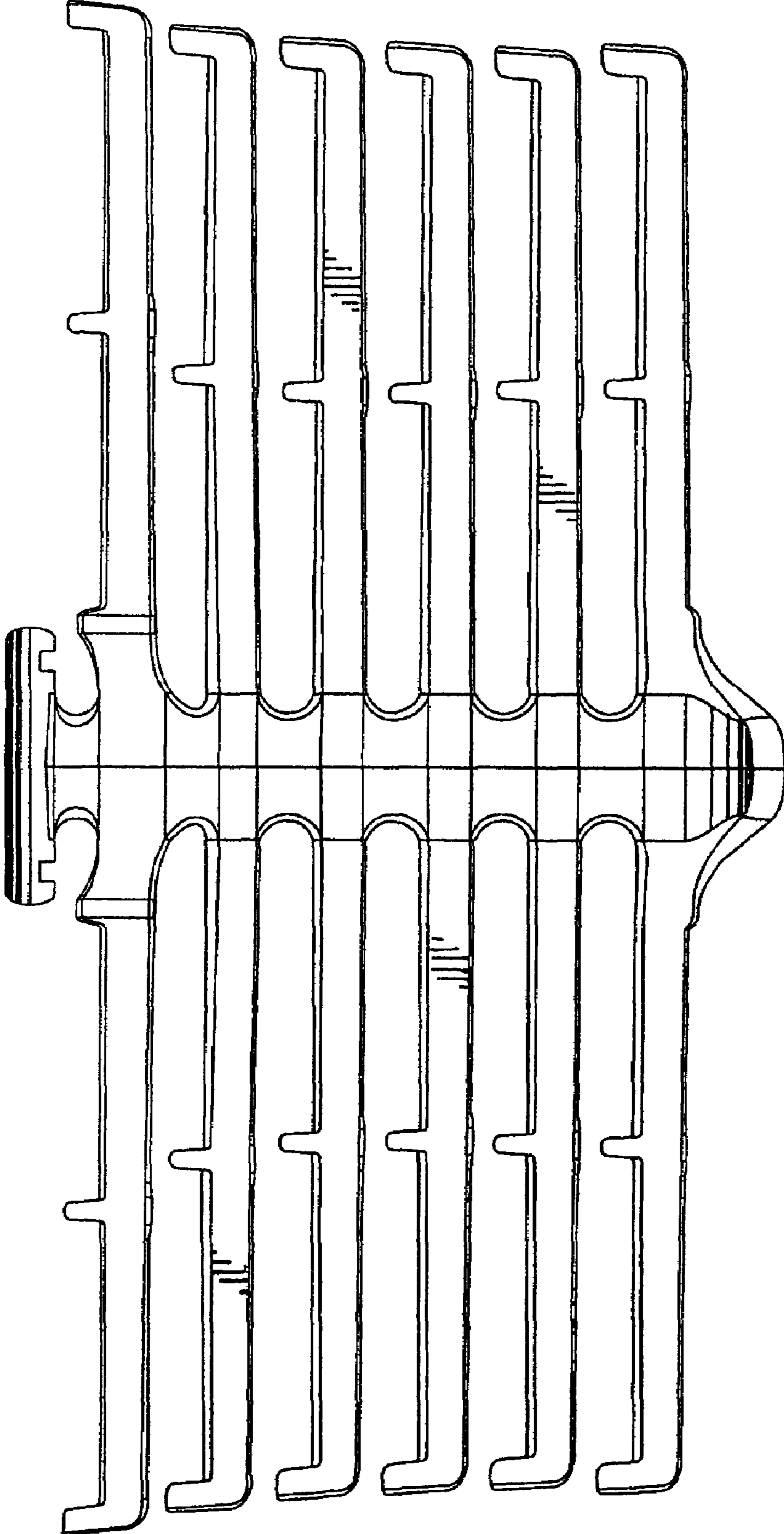


FIG. I

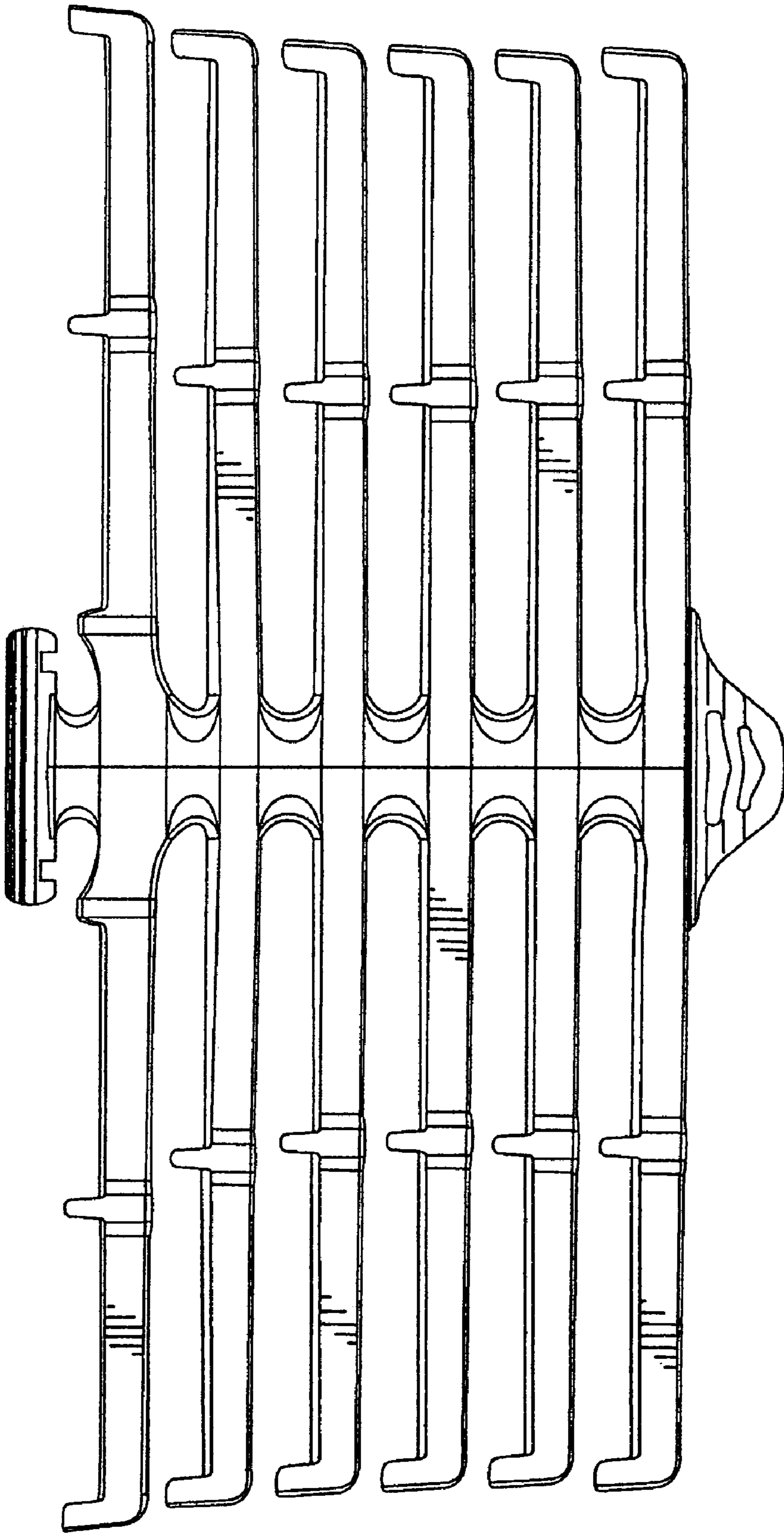


FIG.2

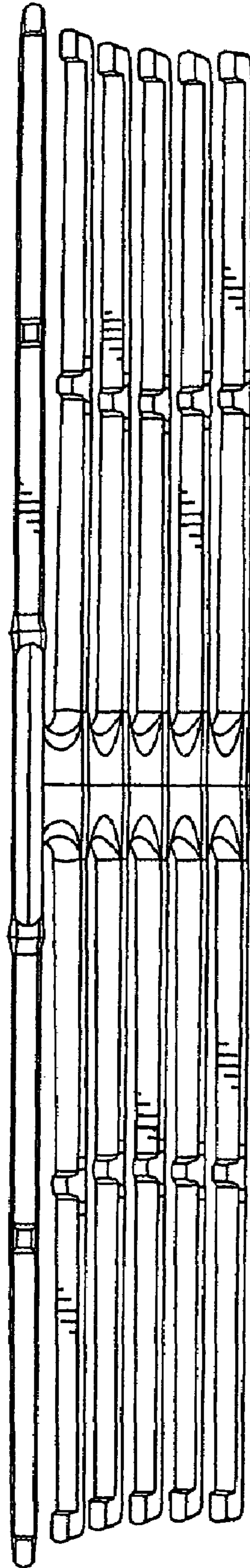


FIG.3

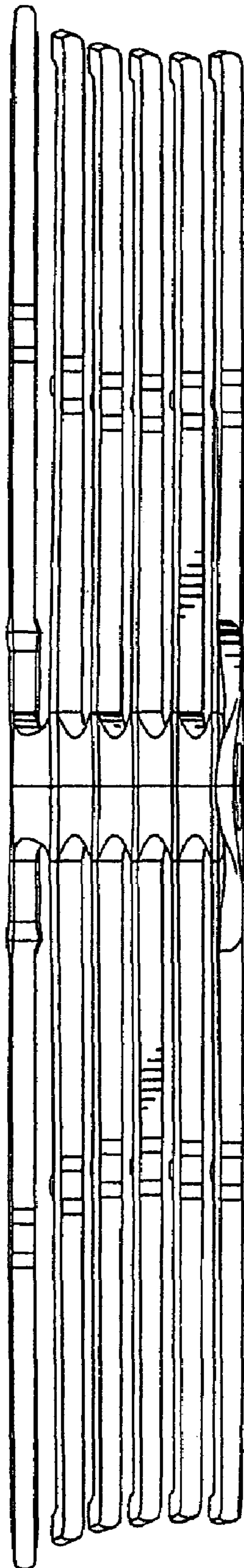


FIG. 4

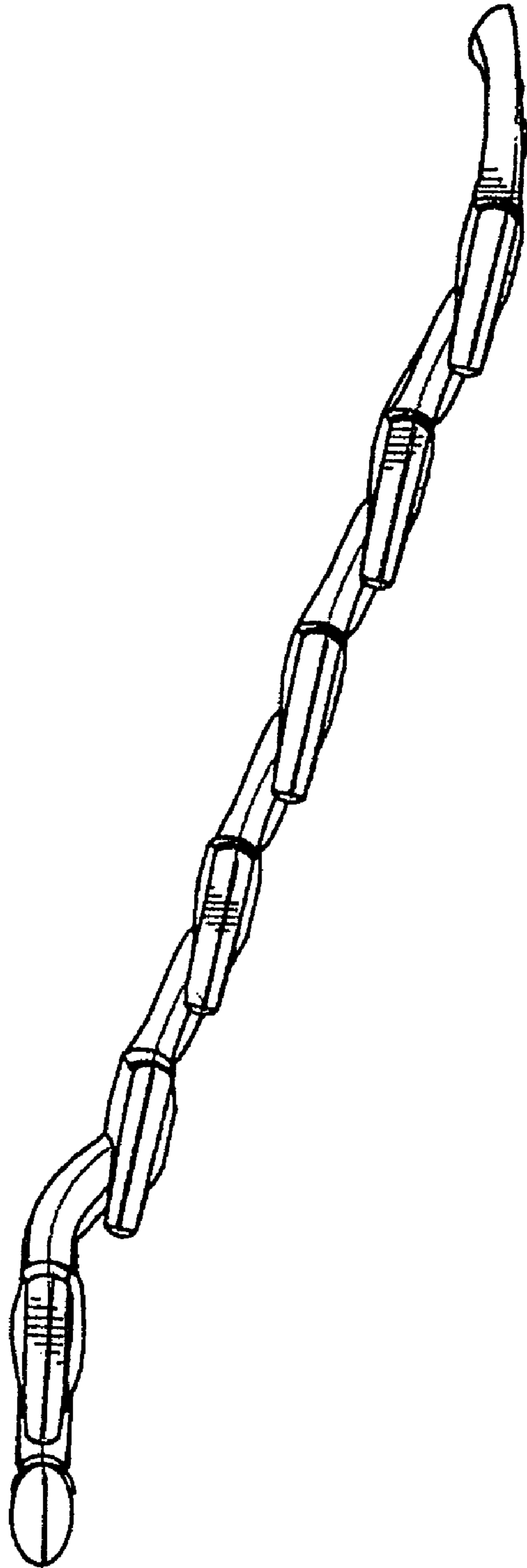


FIG. 5

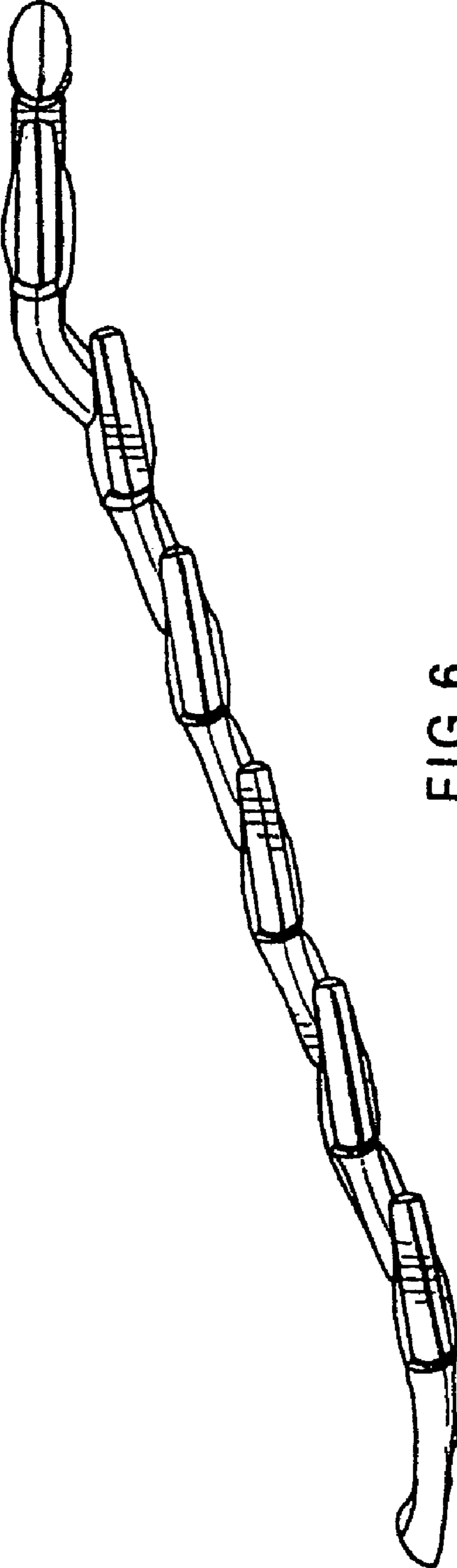


FIG. 6

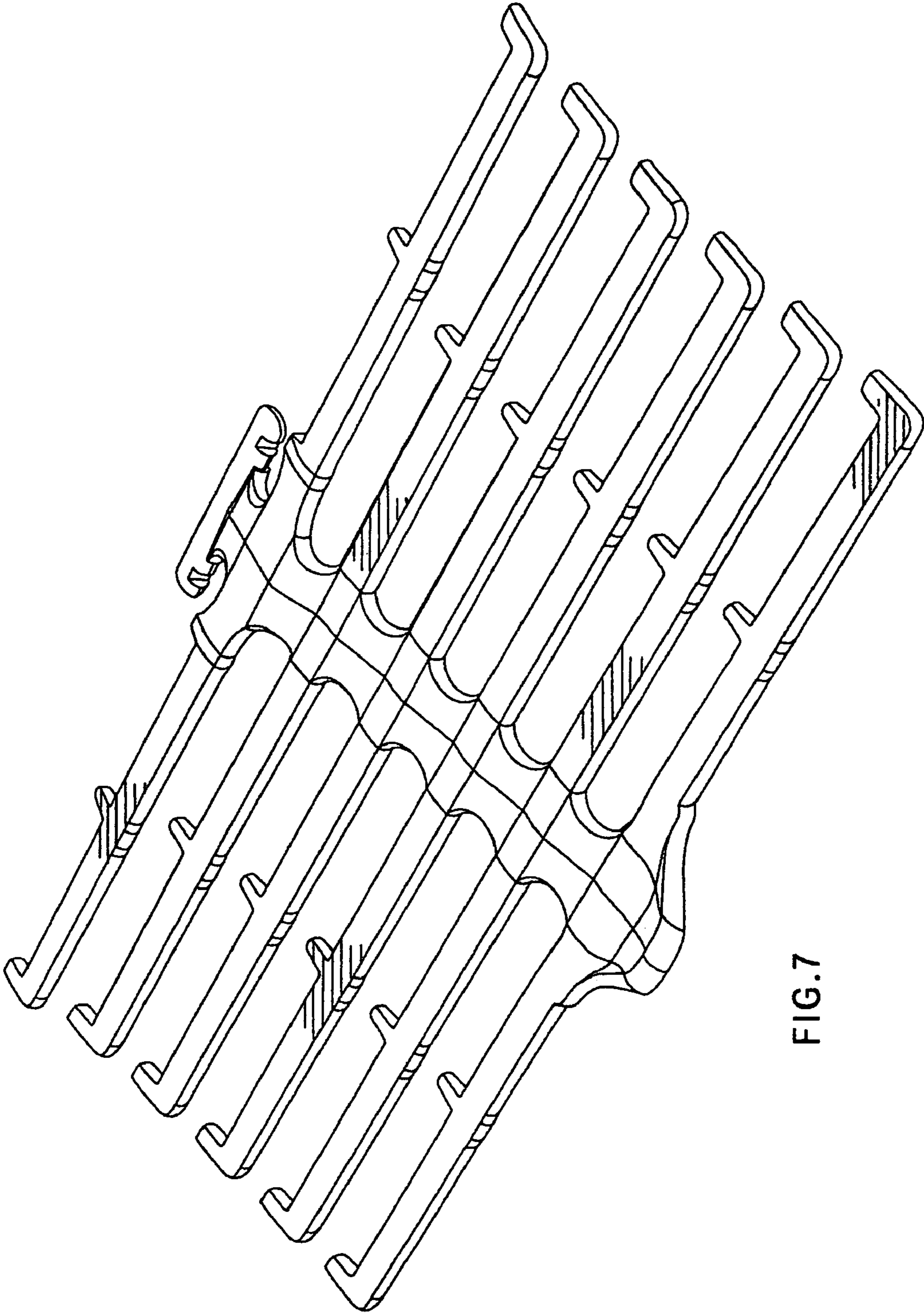


FIG.7