



US00D612617S

(12) **United States Design Patent**
Chen

(10) **Patent No.:** **US D612,617 S**
(45) **Date of Patent:** **** Mar. 30, 2010**

(54) **DIGITAL PHOTO FRAME**

(75) Inventor: **Quankai Chen**, Guangdong Province
(CN)

(73) Assignee: **Shenzhen Kaiser Electronic Co., Ltd.**,
Guangdong Province (CN)

(**) Term: **14 Years**

(21) Appl. No.: **29/317,830**

(22) Filed: **May 8, 2008**

(51) **LOC (9) Cl.** **06-07**

(52) **U.S. Cl.** **D6/308**

(58) **Field of Classification Search** D6/300-314;
40/700, 768, 717, 714; D14/449, 450, 371,
D14/372, 448, 374, 381, 382, 336, 337, 250,
D14/126; D20/10; D13/162

See application file for complete search history.

(56) **References Cited**

U.S. PATENT DOCUMENTS

- D453,333 S * 2/2002 Chen D14/374
- D502,152 S * 2/2005 Peng D14/126
- D502,179 S * 2/2005 Cha et al. D14/375
- D525,973 S * 8/2006 Julian et al. D14/371

- D560,369 S * 1/2008 Chiang et al. D6/300
- D560,668 S * 1/2008 Pritchard et al. D14/448
- D568,257 S * 5/2008 Tatsuyama et al. D13/162
- D571,560 S * 6/2008 Liu et al. D6/300
- D572,025 S * 7/2008 Kwon D6/308

* cited by examiner

Primary Examiner—Philip S Hyder
Assistant Examiner—Sydney R Buffalow

(57) **CLAIM**

The ornamental design for a digital photo frame, as shown and described.

DESCRIPTION

FIG. 1 is a front elevational view of a digital photo frame showing my new design;

FIG. 2 is a rear elevational view thereof;

FIG. 3 is a left side view thereof;

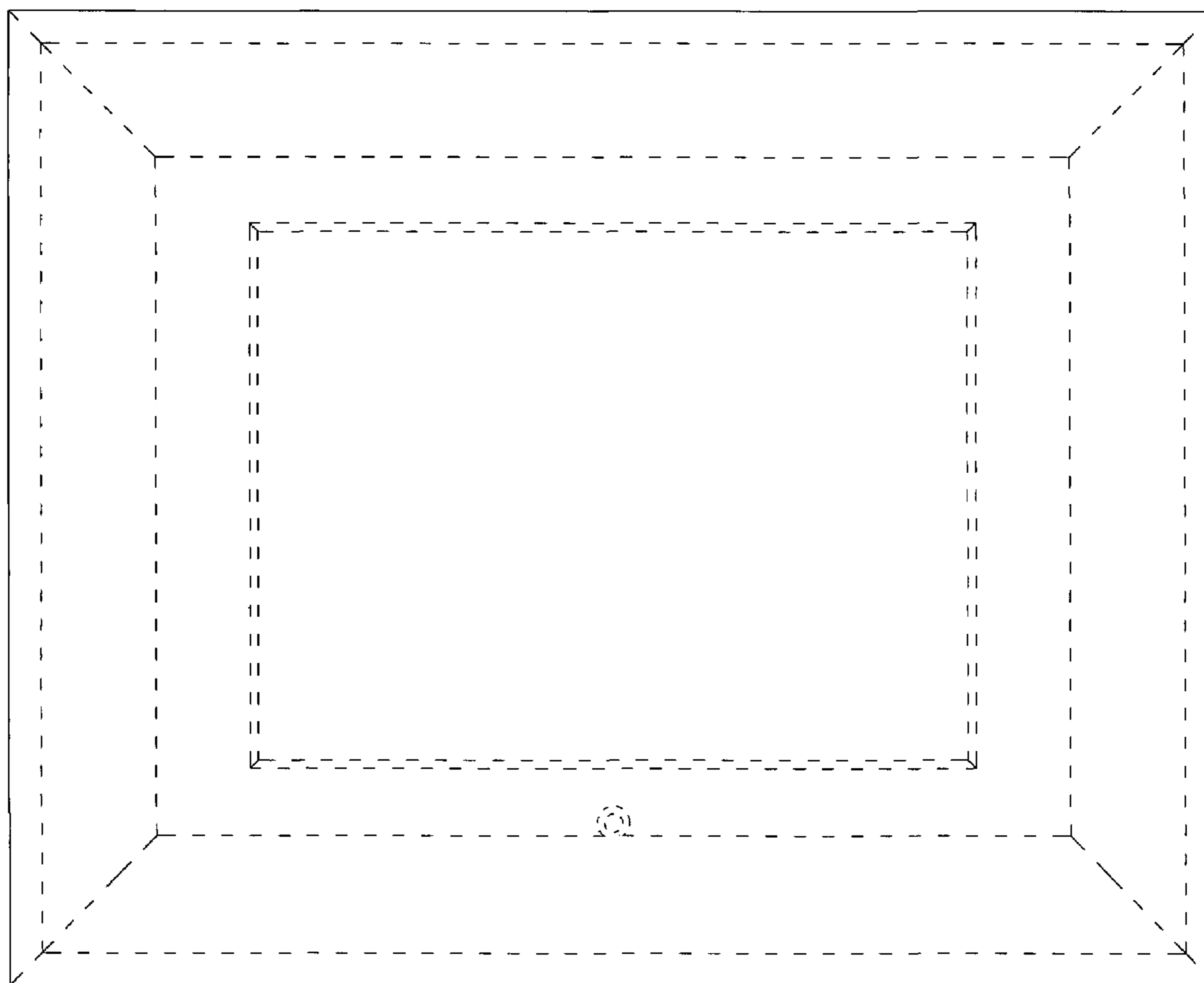
FIG. 4 is a right side view thereof;

FIG. 5 is a top plan view thereof; and,

FIG. 6 is a bottom plan view thereof.

The broken lines shown form no part of the claimed design.

1 Claim, 5 Drawing Sheets



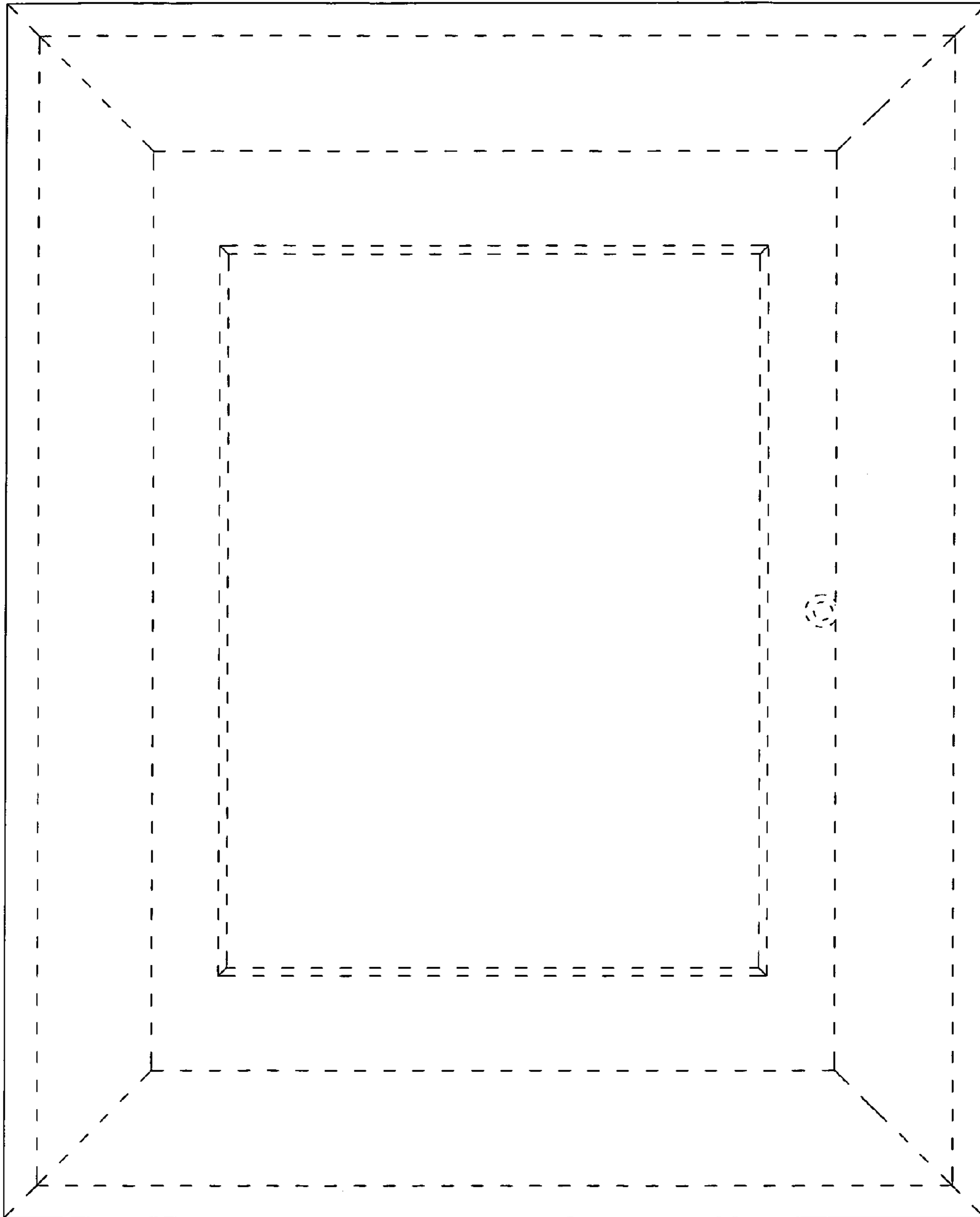


FIG. 1

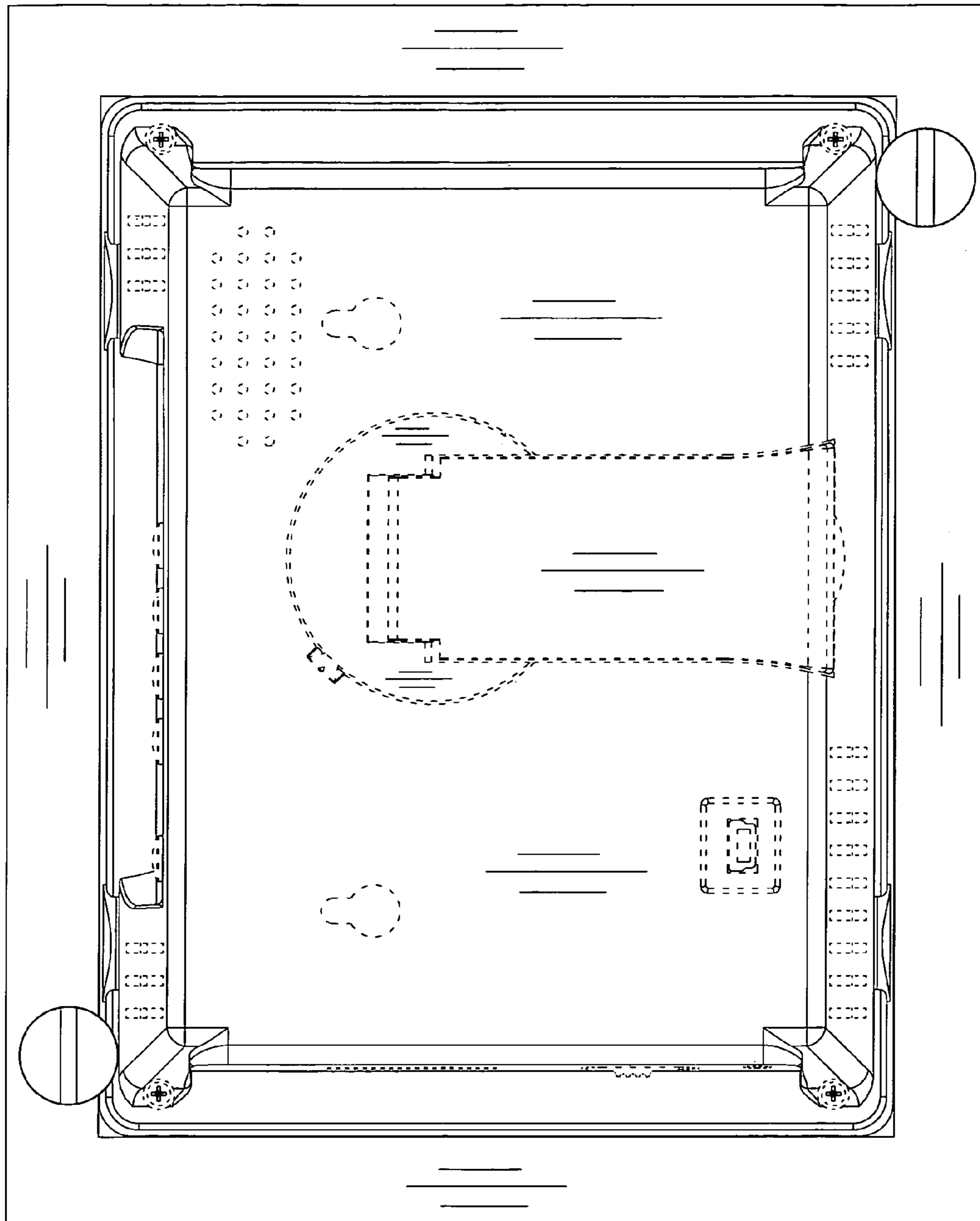


FIG. 2

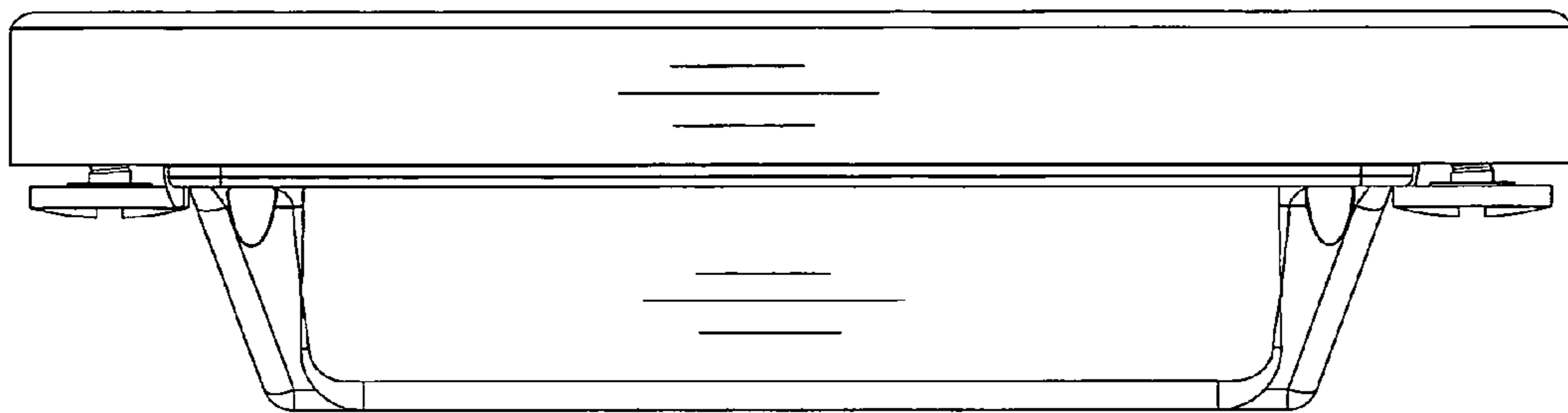


FIG. 3

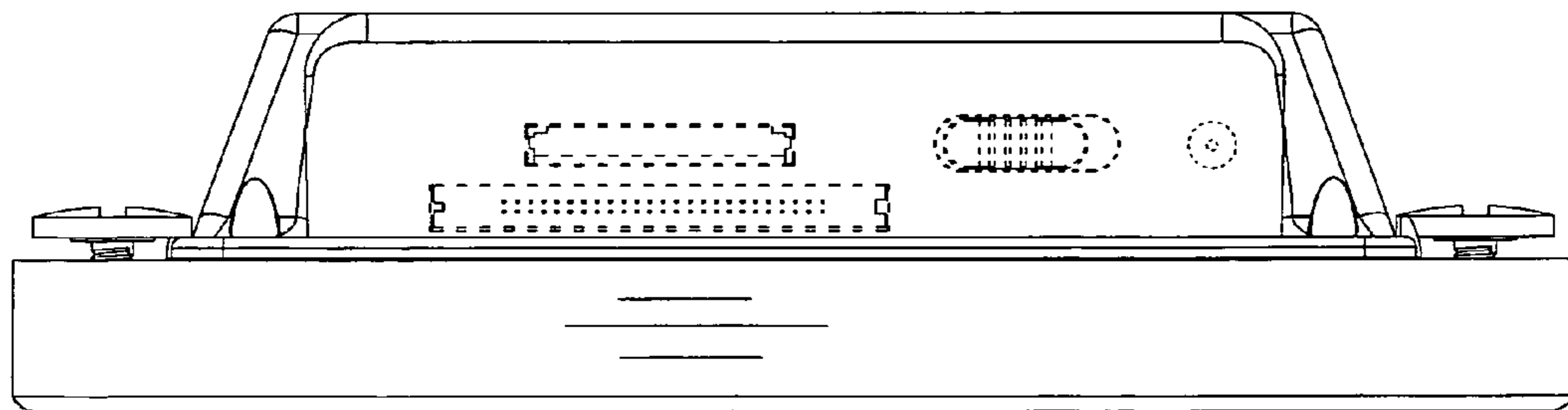


FIG. 4

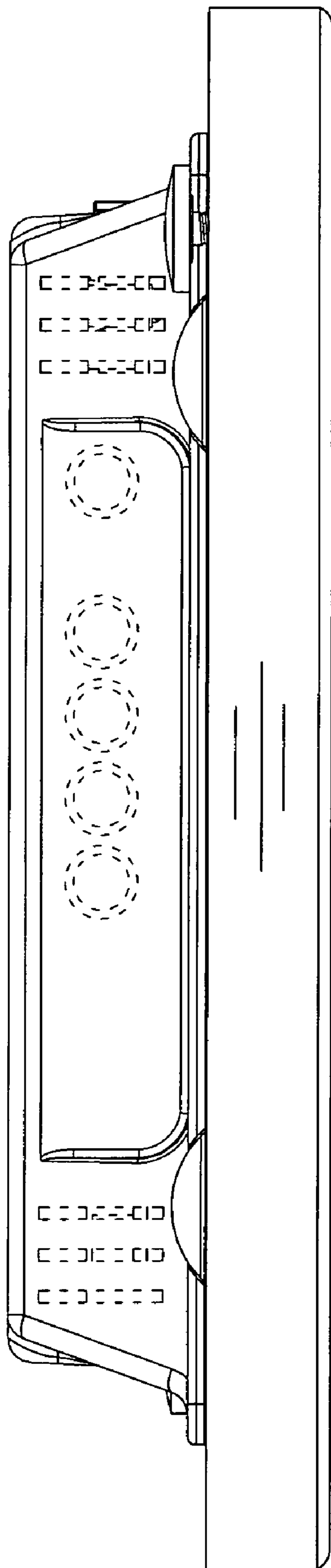


FIG. 5

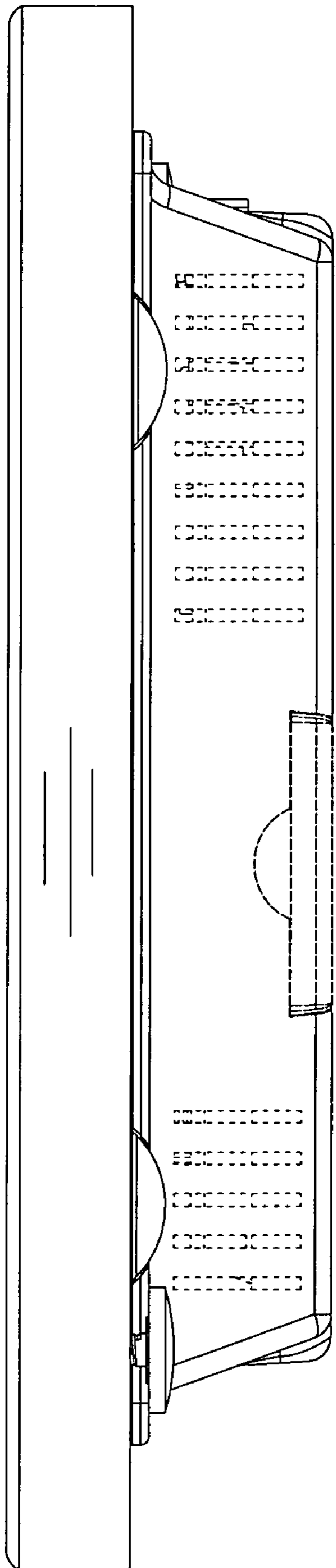


FIG. 6