



US00D612615S

(12) **United States Design Patent**  
**Chitayat et al.**

(10) **Patent No.:** **US D612,615 S**  
(45) **Date of Patent:** **\*\* Mar. 30, 2010**

(54) **RING BRUSH**

D506,069 S \* 6/2005 Woods ..... D4/127

(75) Inventors: **David Dennys Chitayat**, Shanghai (CN); **Heather Tomasetti**, Shanghai (CN); **Pieter Schouten**, Berkeley, CA (US)

FOREIGN PATENT DOCUMENTS

FR 2807299 A1 \* 10/2001  
JP 2005342480 A \* 12/2005

\* cited by examiner

(73) Assignee: **Genimex Jersey Ltd.**, Shanghai (CN)

*Primary Examiner*—Melanie H Tung  
*Assistant Examiner*—Lavone D Tabor  
(74) *Attorney, Agent, or Firm*—Michael E. Woods

(\*\*) Term: **14 Years**

(21) Appl. No.: **29/334,269**

(57) **CLAIM**

(22) Filed: **Mar. 23, 2009**

The ornamental design for a ring brush, as shown and described.

(51) **LOC (9) Cl.** ..... **04-01**

(52) **U.S. Cl.** ..... **D4/129**

(58) **Field of Classification Search** ..... D4/103,  
D4/127, 129, 130; 15/159.1, 167.1, 167.3,  
15/186, 187, 227; 132/75.6, 313, 317; 401/8  
See application file for complete search history.

**DESCRIPTION**

FIG. 1 is a perspective view of a ring brush showing my new design;

(56) **References Cited**

U.S. PATENT DOCUMENTS

2,915,767 A \* 12/1959 Vaughan ..... 15/167.1  
D245,462 S \* 8/1977 Hauf et al. .... D4/129  
D251,159 S \* 2/1979 Tolliver ..... D4/114  
D269,481 S \* 6/1983 Souza ..... D4/114  
4,617,694 A \* 10/1986 Bori ..... 15/167.1

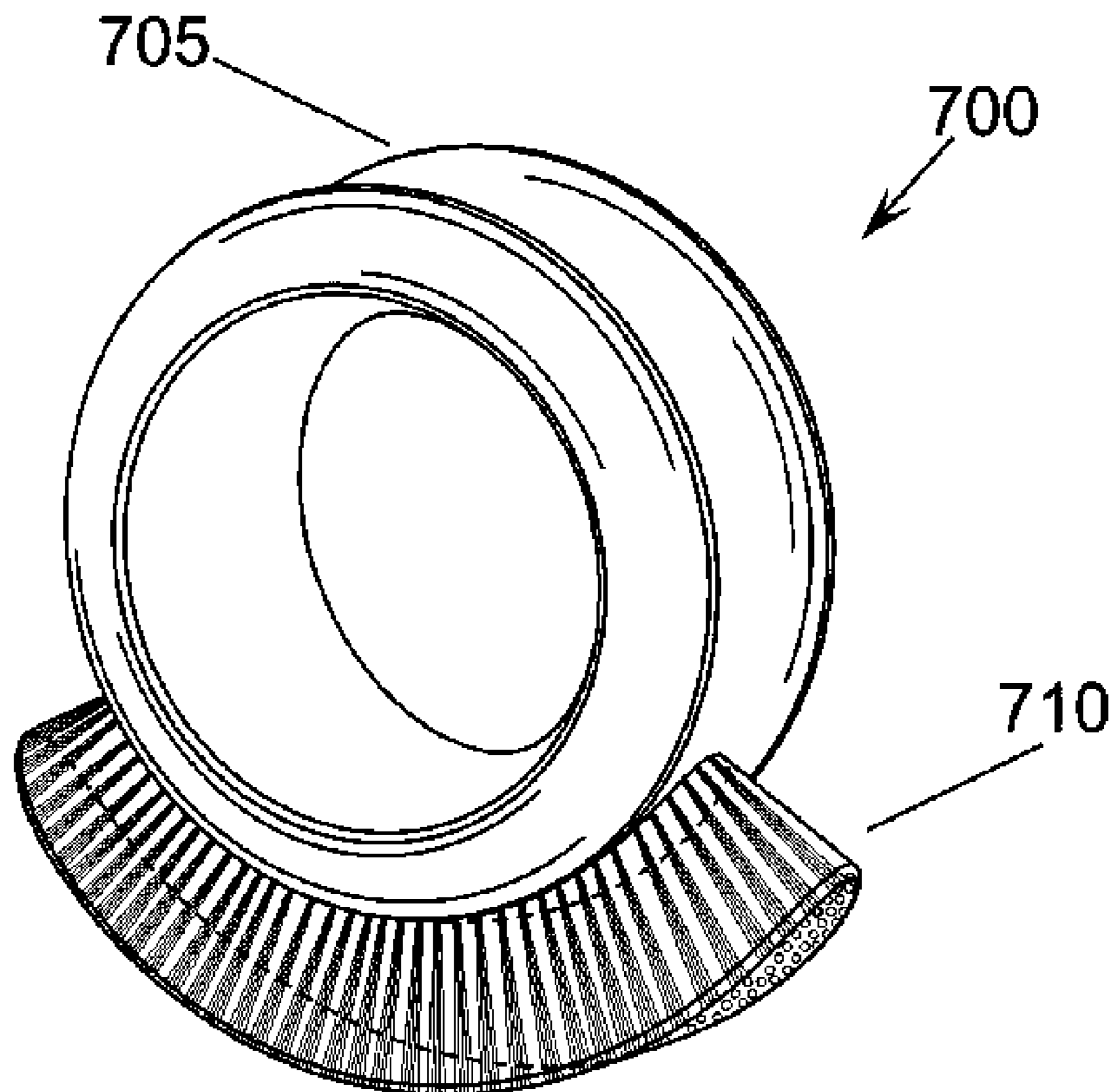
FIG. 2 is a front view thereof, the back view being a mirror image;

FIG. 3 is a right-hand view thereof, the left-hand view being a mirror image;

FIG. 4 is a top view thereof; and,

FIG. 5 is a bottom view thereof.

**1 Claim, 1 Drawing Sheet**



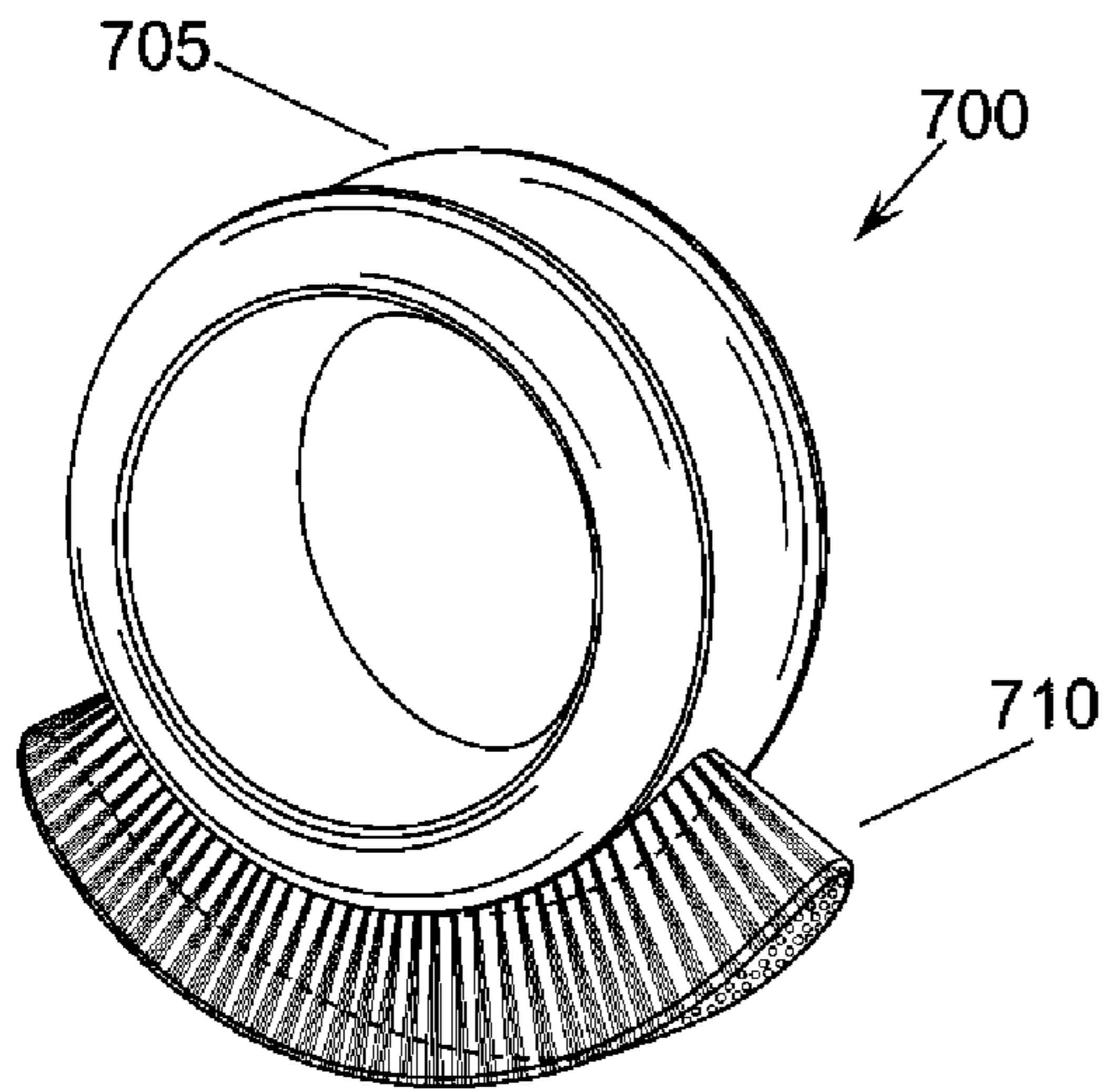


FIG. 1

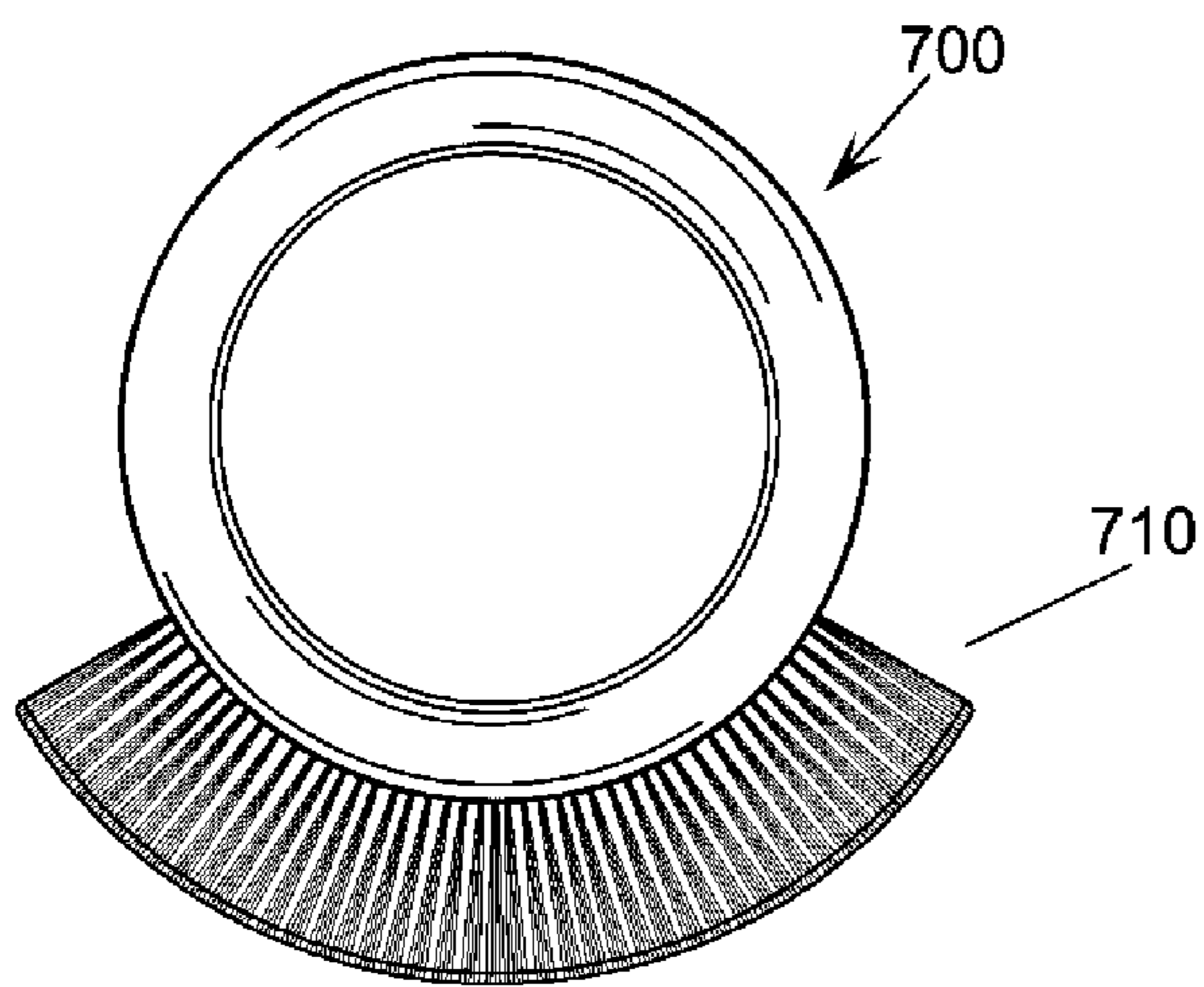


FIG. 2

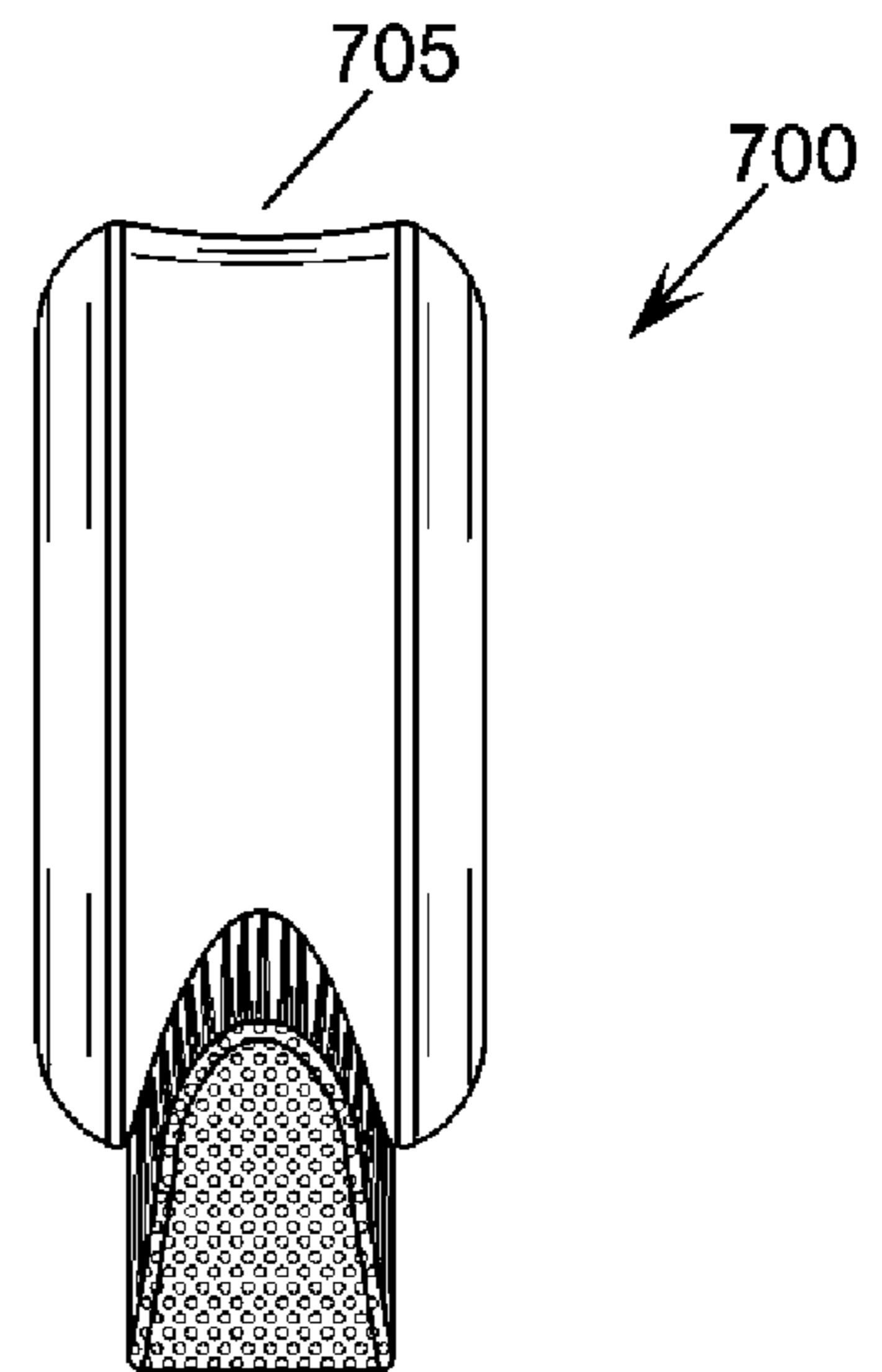


FIG. 3

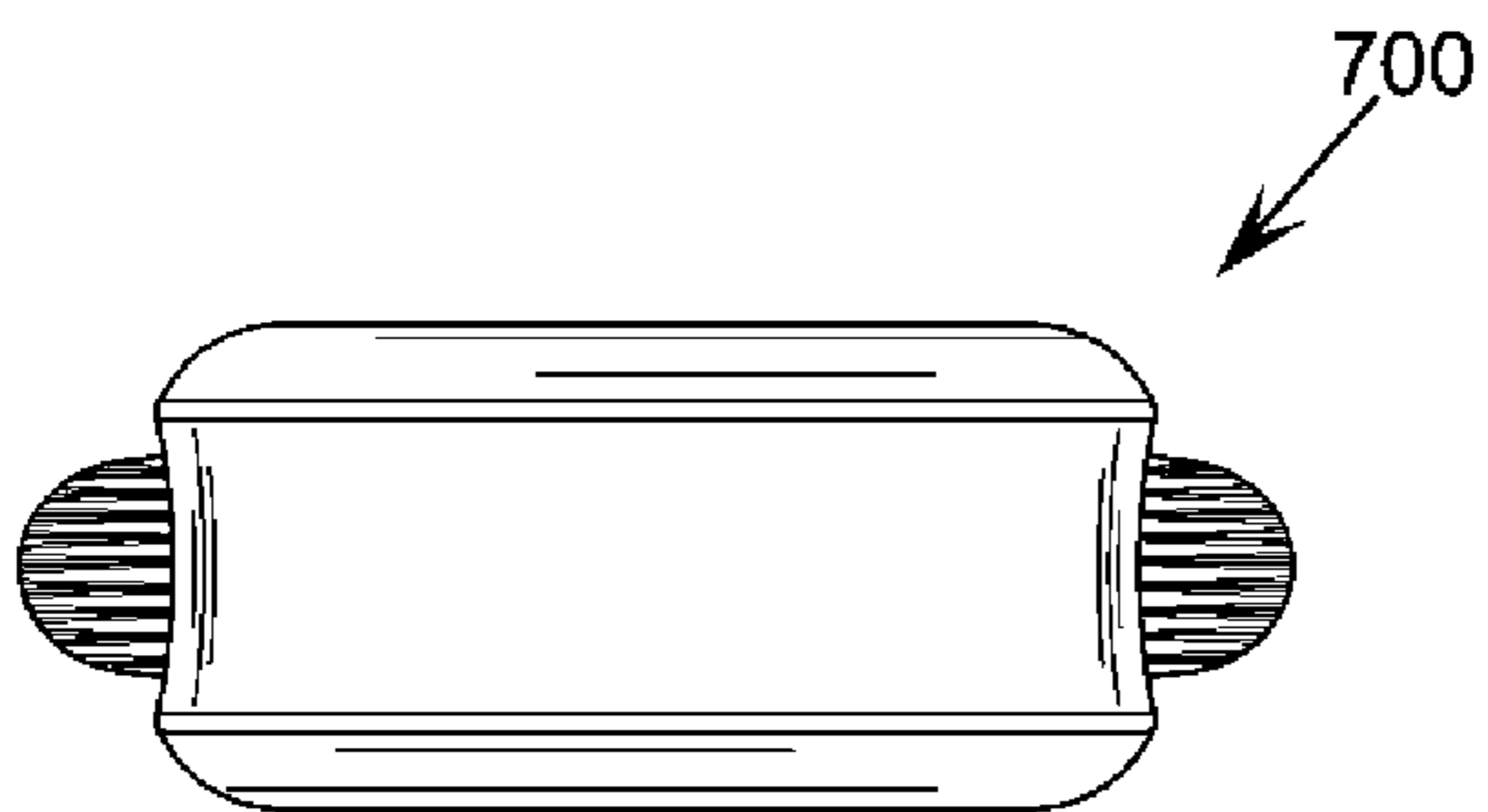


FIG. 4

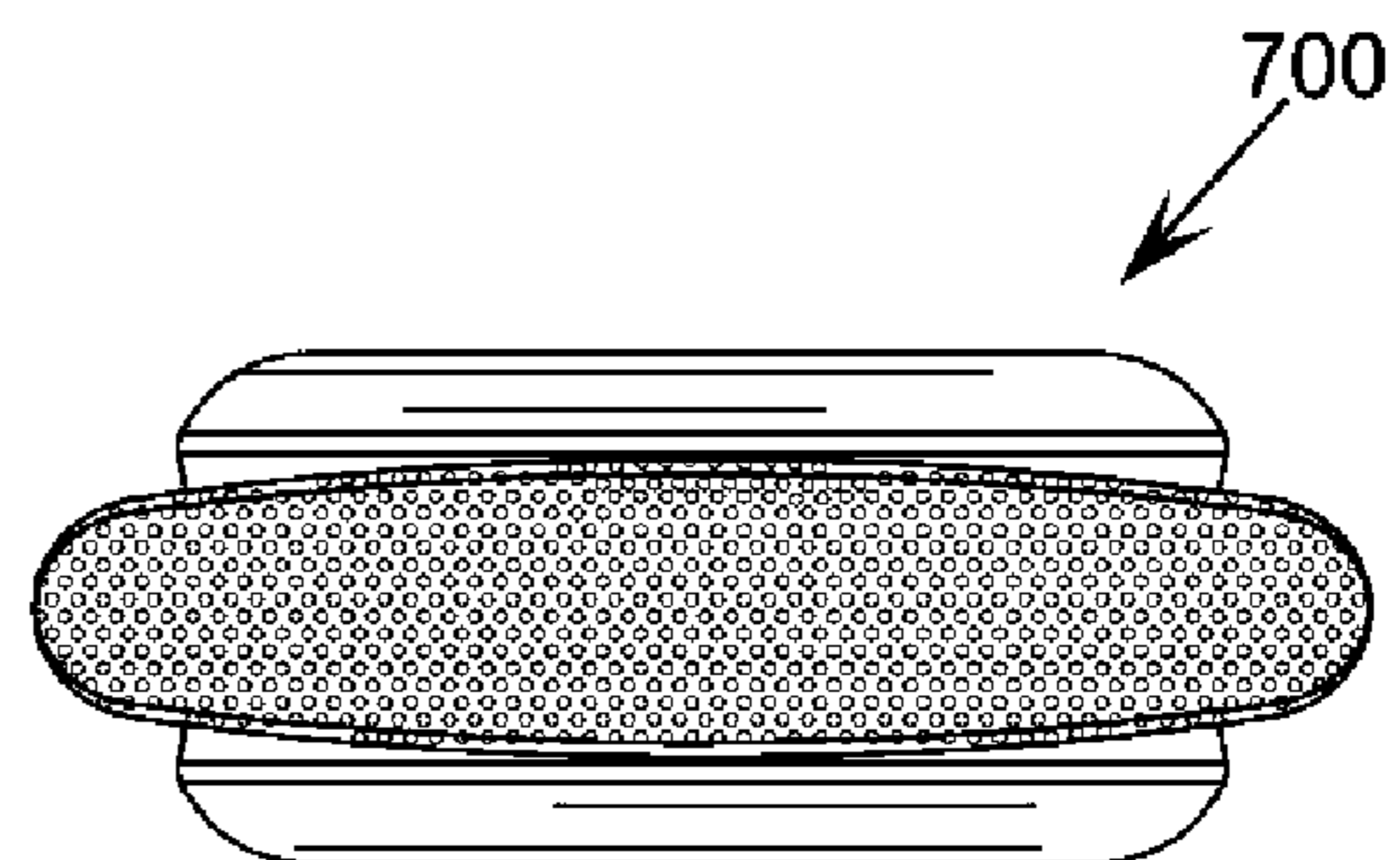


FIG. 5