



US00D612614S

(12) **United States Design Patent**  
**Maxwell**

(10) **Patent No.:** **US D612,614 S**  
(45) **Date of Patent:** **\*\* Mar. 30, 2010**

(54) **OVERCAP BRUSH**

(75) Inventor: **Charles P. Maxwell**, Mequon, WI (US)

(73) Assignee: **Tablecraft Products Company**, Gurnee, IL (US)

(\*\*) Term: **14 Years**

(21) Appl. No.: **29/338,563**

(22) Filed: **Jun. 15, 2009**

(51) **LOC (9) Cl.** ..... **04-01**

(52) **U.S. Cl.** ..... **D4/114; D4/127**

(58) **Field of Classification Search** ..... D4/114,  
D4/127, 130, 136; D9/715, 718, 723, 724,  
D9/436; 15/186-188; 215/228; 220/212;  
401/28, 118, 126, 129, 183, 184, 268, 274,  
401/278, 291

See application file for complete search history.

(56) **References Cited**

**U.S. PATENT DOCUMENTS**

|               |         |                     |         |
|---------------|---------|---------------------|---------|
| D165,109 S    | 11/1951 | Petrosky            |         |
| 3,029,464 A   | 4/1962  | Springmeier         |         |
| 3,146,484 A * | 9/1964  | Lussier et al. .... | 401/186 |
| 3,351,415 A   | 11/1967 | Hoffman             |         |
| 3,521,968 A   | 7/1970  | Wise                |         |
| D262,672 S *  | 1/1982  | Chase et al. ....   | D4/127  |
| 4,533,273 A   | 8/1985  | Obata et al.        |         |
| 5,066,157 A   | 11/1991 | Liff                |         |
| 5,186,563 A   | 2/1993  | Gebhard et al.      |         |
| 5,547,303 A   | 8/1996  | Pyrozyk             |         |
| D376,048 S    | 12/1996 | Gerhart et al.      |         |
| D376,479 S    | 12/1996 | Bresler et al.      |         |
| 5,641,233 A   | 6/1997  | Wilson              |         |
| D400,358 S    | 11/1998 | Zemel               |         |
| 5,934,187 A   | 8/1999  | Leon                |         |
| 6,000,405 A   | 12/1999 | De Laforcade        |         |

|                 |         |                 |
|-----------------|---------|-----------------|
| 6,315,483 B1    | 11/2001 | Velliquette     |
| 6,457,894 B1    | 10/2002 | Miles           |
| 6,805,512 B2    | 10/2004 | King            |
| D511,896 S      | 11/2005 | Wu              |
| D544,714 S      | 6/2007  | Zemel           |
| D550,965 S      | 9/2007  | Kaposi          |
| D550,966 S      | 9/2007  | Kaposi          |
| 7,373,686 B2    | 5/2008  | Foster et al.   |
| 2004/0240929 A1 | 12/2004 | Watson          |
| 2005/0117962 A1 | 6/2005  | Lion et al.     |
| 2006/0239758 A1 | 10/2006 | Di Paolo        |
| 2007/0143945 A1 | 6/2007  | DiPietro et al. |
| 2007/0201941 A1 | 8/2007  | Koptis          |

**OTHER PUBLICATIONS**

AU 120804 S (Industrial Design Application), (NCI Plastics (N.S. W.) Pty Ltd) Jul. 6, 1994 [online], [retrieved on Nov. 15, 2009] Retrieved from the Design Database of the Australian Government IP Australia using the Internet: <URL: <http://www.ipaustralia.gov.au>>.\*

\* cited by examiner

*Primary Examiner*—Melanie H Tung

*Assistant Examiner*—Lavone D Tabor

(74) *Attorney, Agent, or Firm*—Pearne & Gordon LLP

(57) **CLAIM**

The ornamental design for an overcap brush, as shown and described.

**DESCRIPTION**

FIG. 1 is a bottom perspective view of an overcap brush showing my new design;

FIG. 2 is a top plan view thereof;

FIG. 3 is a side elevational view thereof; and,

FIG. 4 is a bottom plan view thereof.

**1 Claim, 1 Drawing Sheet**

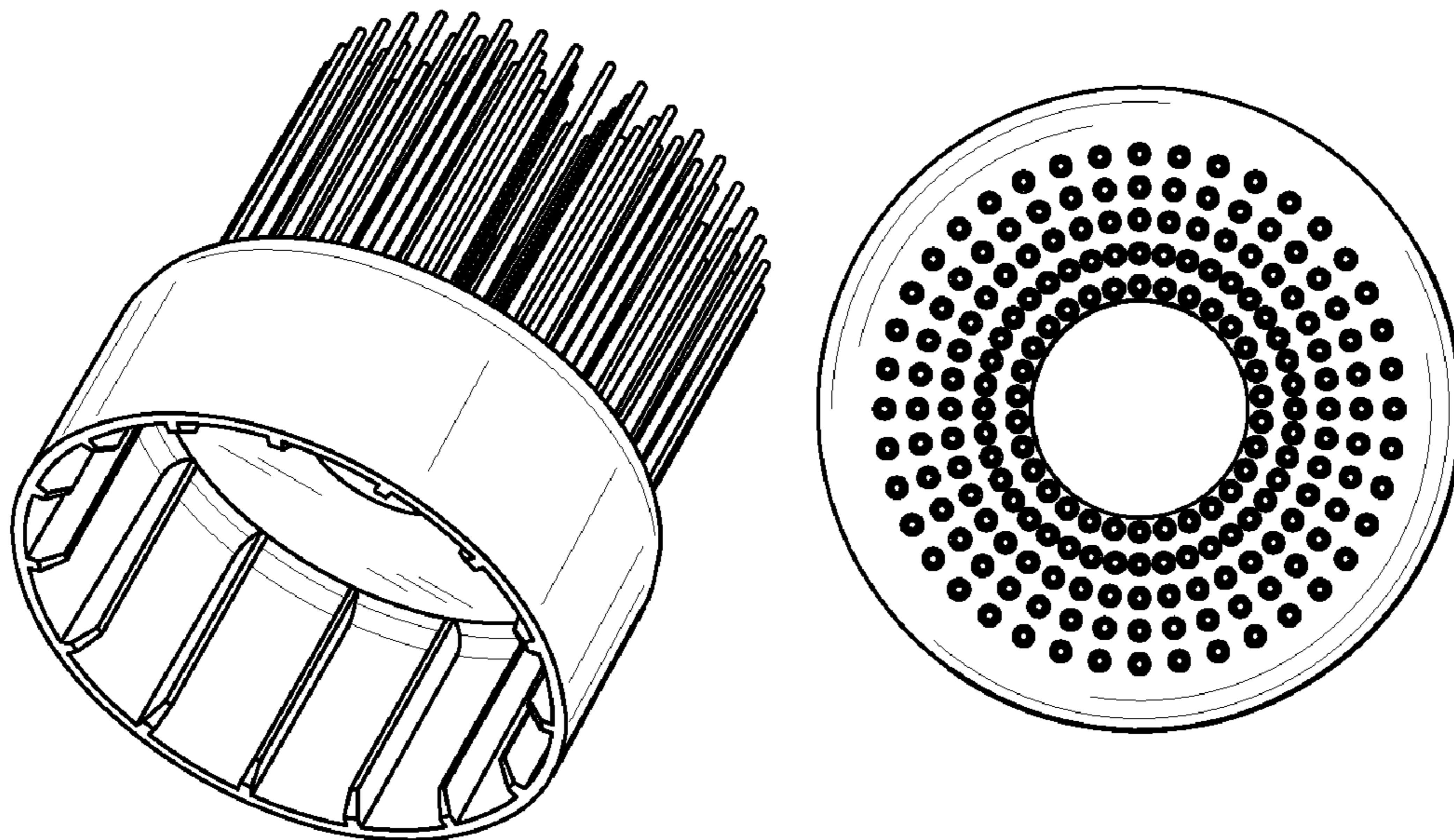


FIG. 1

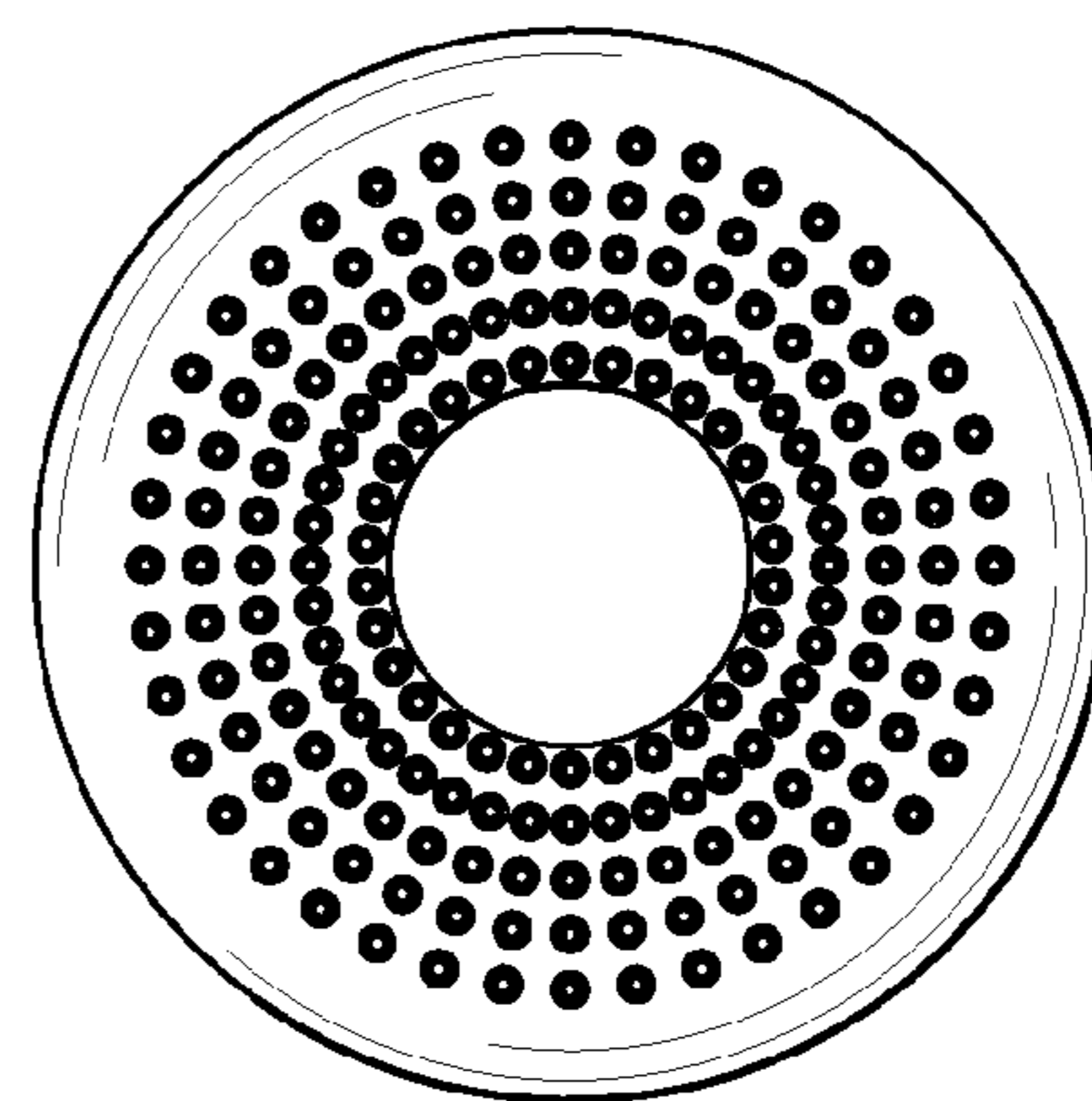
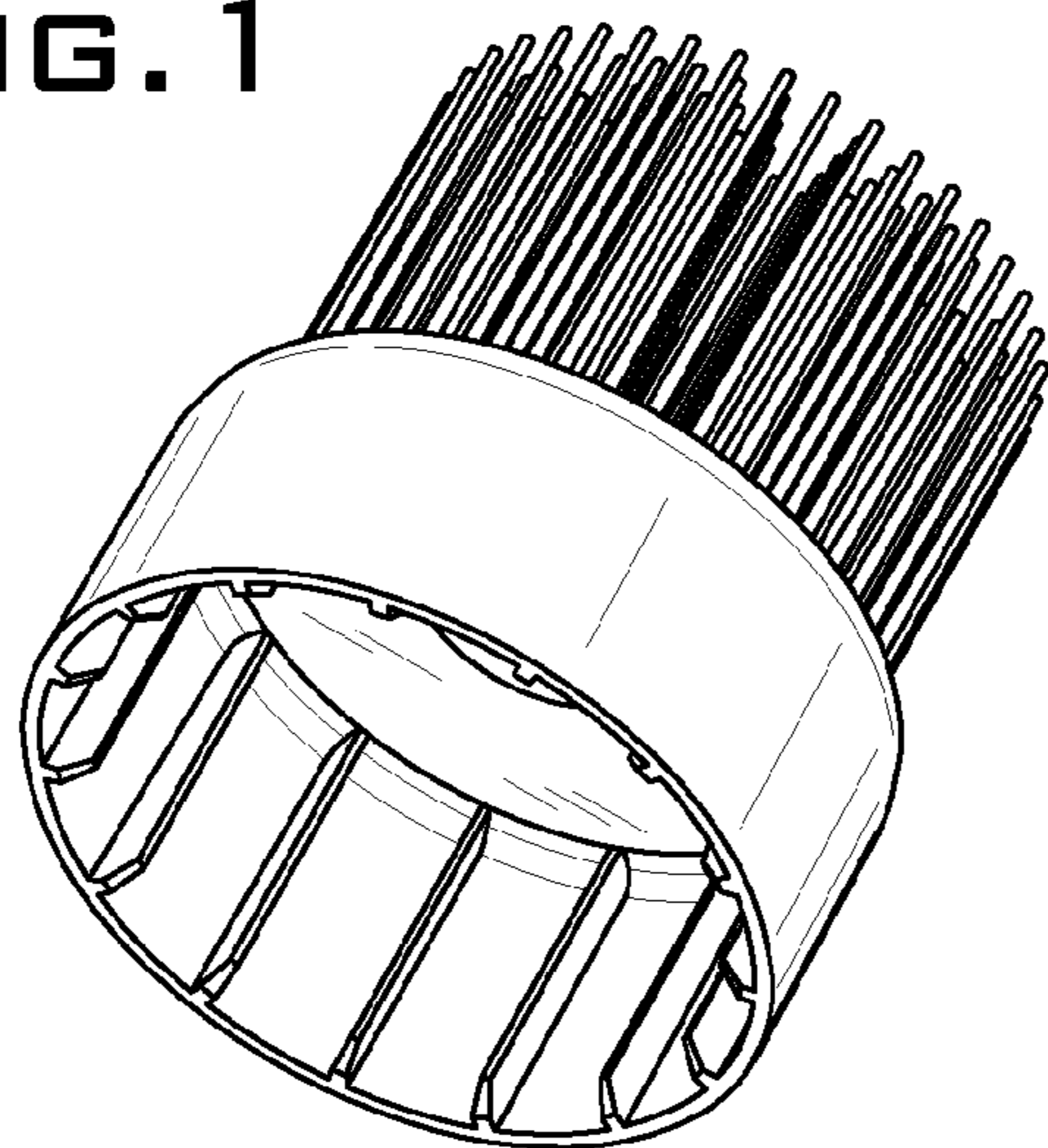


FIG. 2

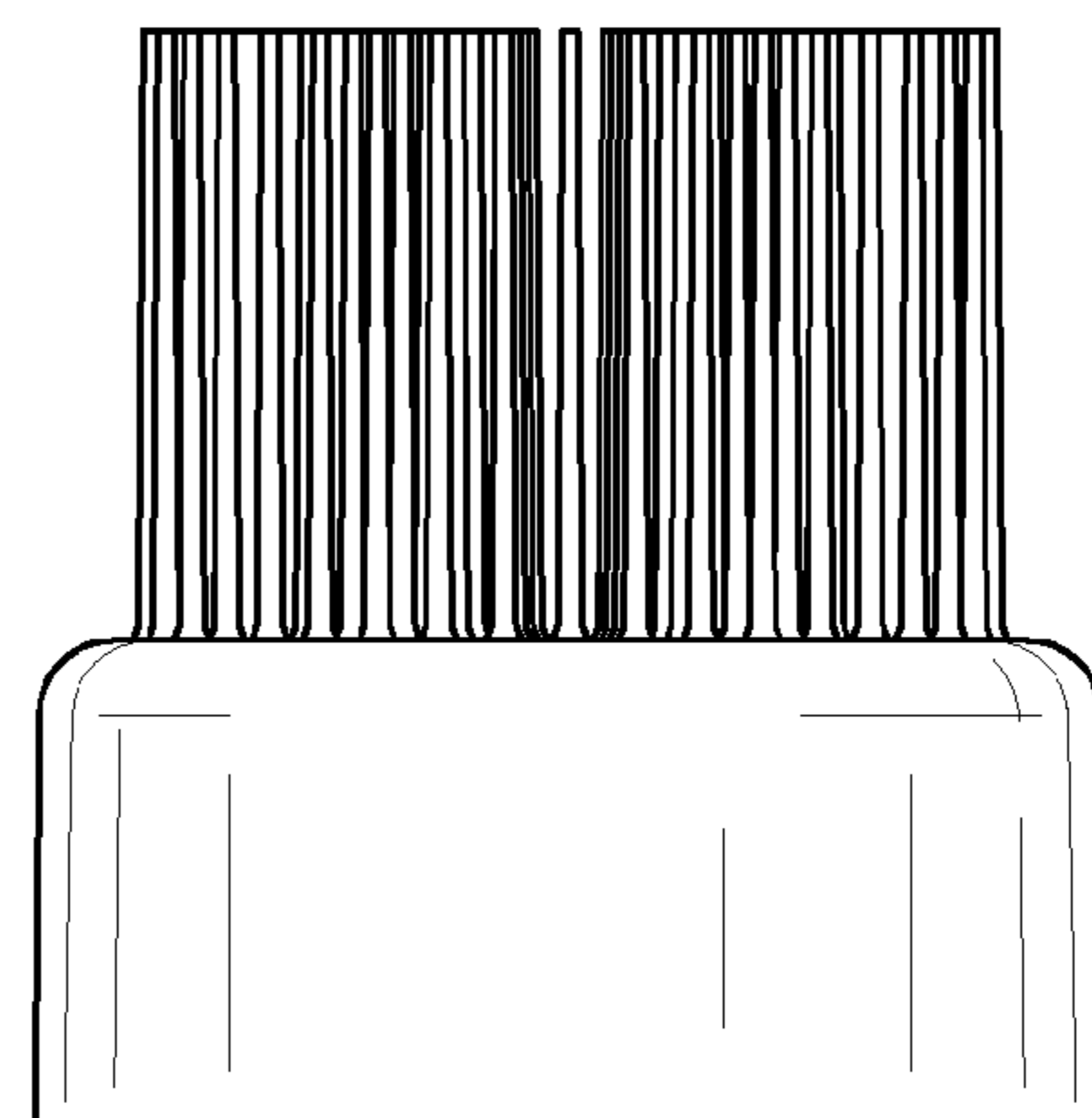


FIG. 3

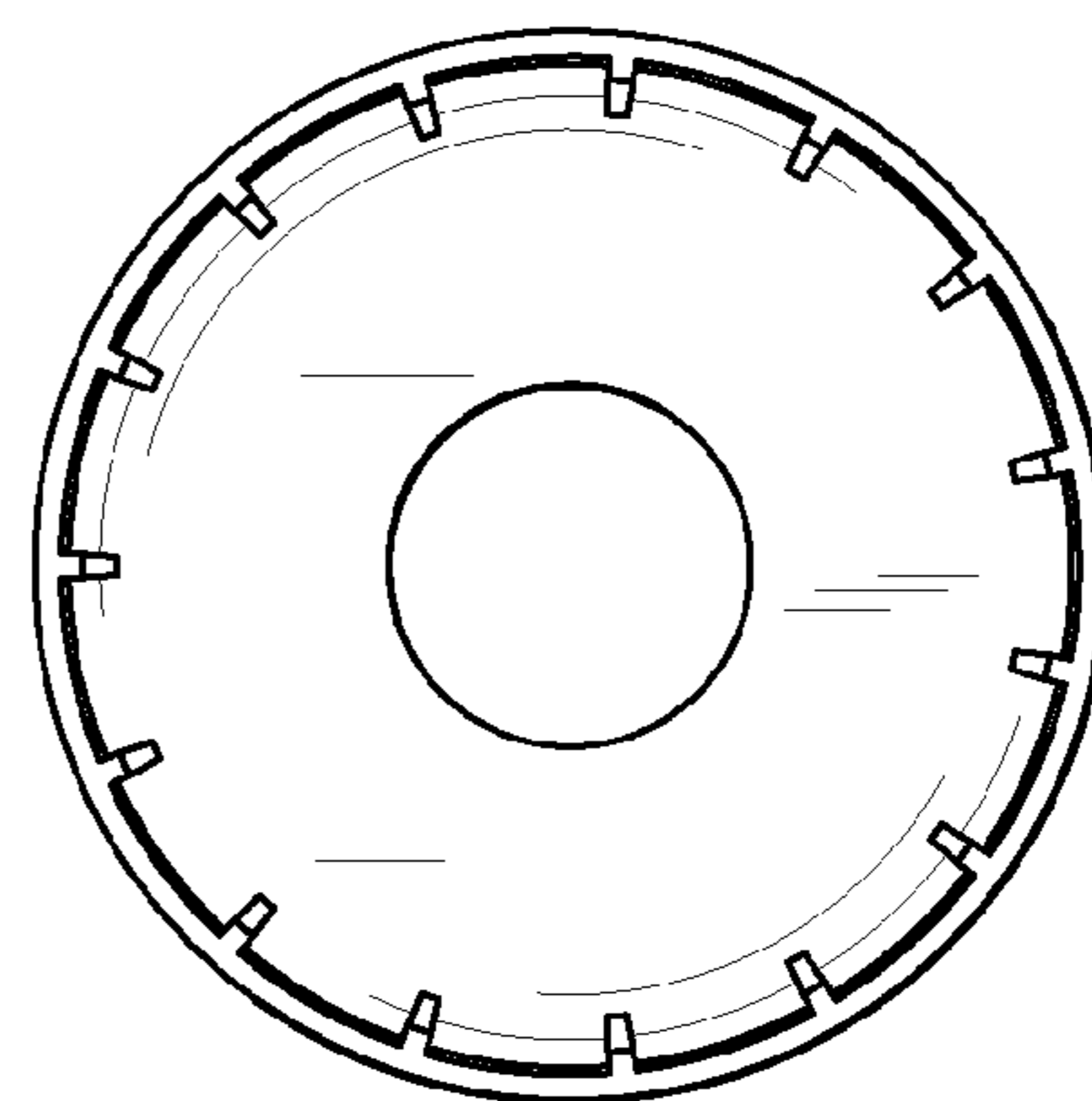


FIG. 4