



US00D612609S

(12) **United States Design Patent**
Gonzalez

(10) **Patent No.:** **US D612,609 S**
(45) **Date of Patent:** **** Mar. 30, 2010**

(54) **JEWEL PIECE**

(75) Inventor: **Alvaro Gonzalez**, Florence (IT)

(73) Assignee: **J. Choo Limited**, London (GB)

(**) Term: **14 Years**

(21) Appl. No.: **29/307,289**

(22) Filed: **Apr. 11, 2008**

Related U.S. Application Data

(62) Division of application No. 29/263,036, filed on Jul. 14, 2006, now Pat. No. Des. 579,205.

Foreign Application Priority Data

Jan. 20, 2006 (EM) 000469937-004

(51) **LOC (9) Cl.** **03-01**

(52) **U.S. Cl.** **D3/318**

(58) **Field of Classification Search** D3/201,
D3/205-206, 226, 232-234, 238, 240-246,
D3/273, 276, 279, 283-287, 289-290, 294,
D3/301, 303-304, 307-308, 310, 312-319,
D3/321-324, 326-328, 900-902, 905; 150/100,
150/103, 107-108, 110-112, 117-120, 130,
150/900; 190/100, 108-109, 112, 115, 119,
190/902-903

See application file for complete search history.

(56) **References Cited**

U.S. PATENT DOCUMENTS

D156,781 S * 1/1950 Spindell D3/240

D530,076 S * 10/2006 Choi D2/976
D530,501 S * 10/2006 Choi D2/971
D533,332 S * 12/2006 Choi D2/946
D540,533 S * 4/2007 Choi D2/976
D572,483 S * 7/2008 Gonzalez D3/318
D578,767 S * 10/2008 Gonzalez D3/324
D580,648 S * 11/2008 Choi D2/976
D582,155 S * 12/2008 Gonzalez D3/243

* cited by examiner

Primary Examiner—T. Chase Nelson
Assistant Examiner—Kathleen M Sims

(74) *Attorney, Agent, or Firm*—Fross Zelnick, Lehrman & Zissu, P.C.; Lawrence E. Apolzon, Esq.

(57) **CLAIM**

The ornamental design for a jewel piece, as shown and described.

DESCRIPTION

FIG. 1 is a front perspective view of a jewel piece showing my new design;

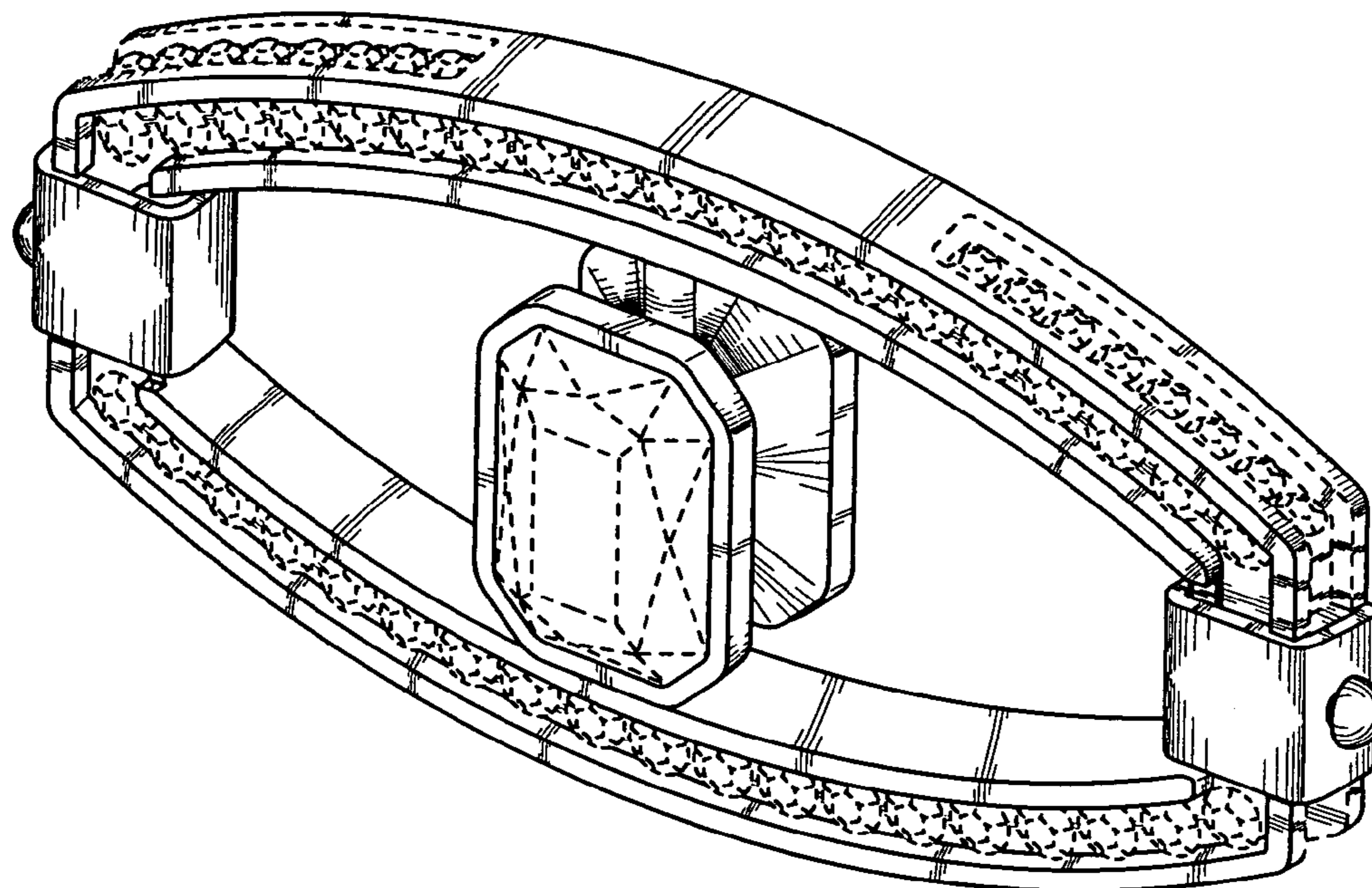
FIG. 2 is a front view thereof, with the rear viewing being a mirror image thereof;

FIG. 3 is a top view thereof, with the bottom view being a mirror image thereof; and,

FIG. 4 is a side view thereof with the other side view being a mirror image thereof.

The broken line showing of the central jewel, recessed jewels, and parts of the jewel piece, is included for the purpose of showing environmental portions of the jewel piece and forms no part of the claimed design.

1 Claim, 4 Drawing Sheets



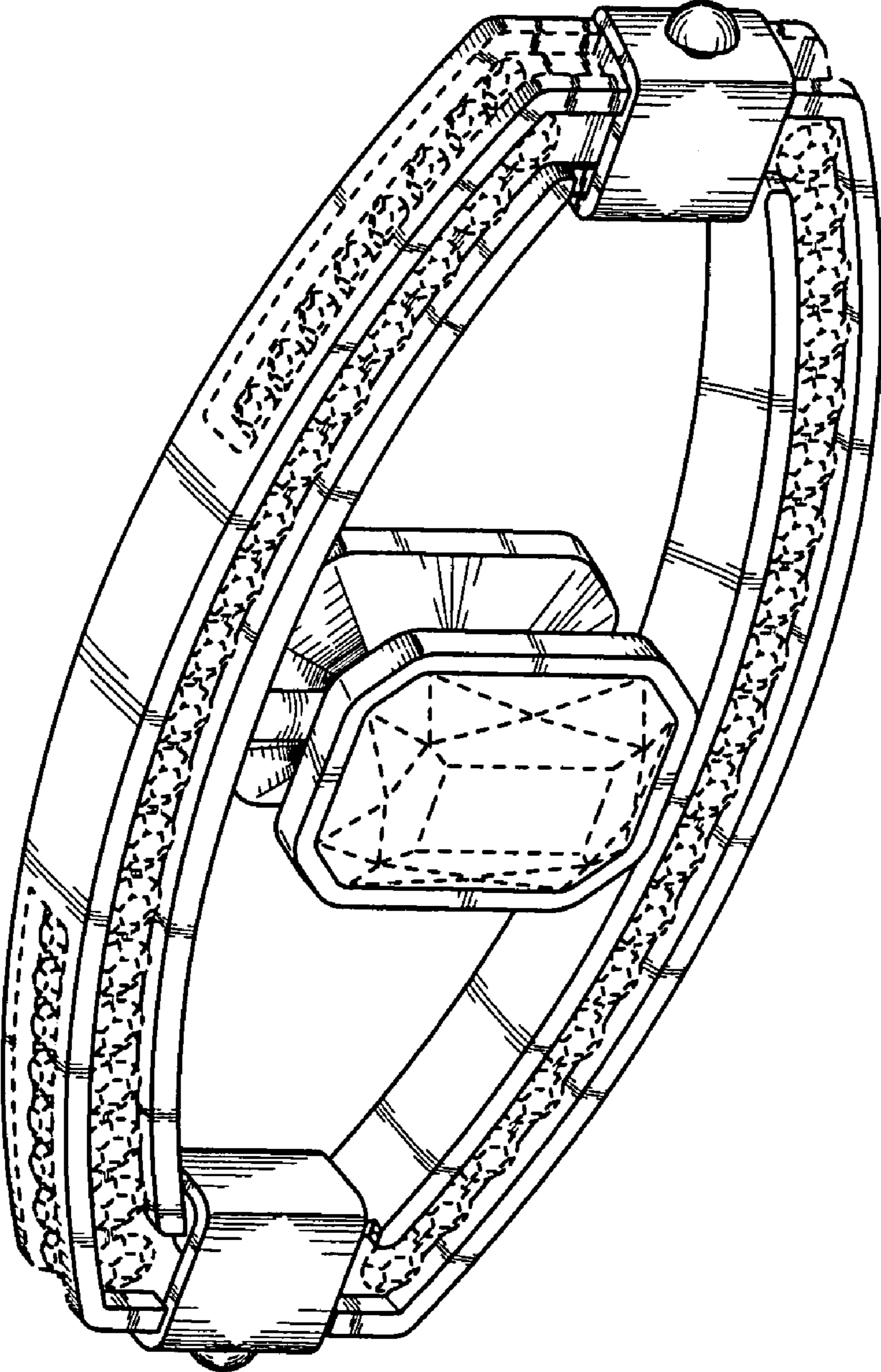


FIG. 1

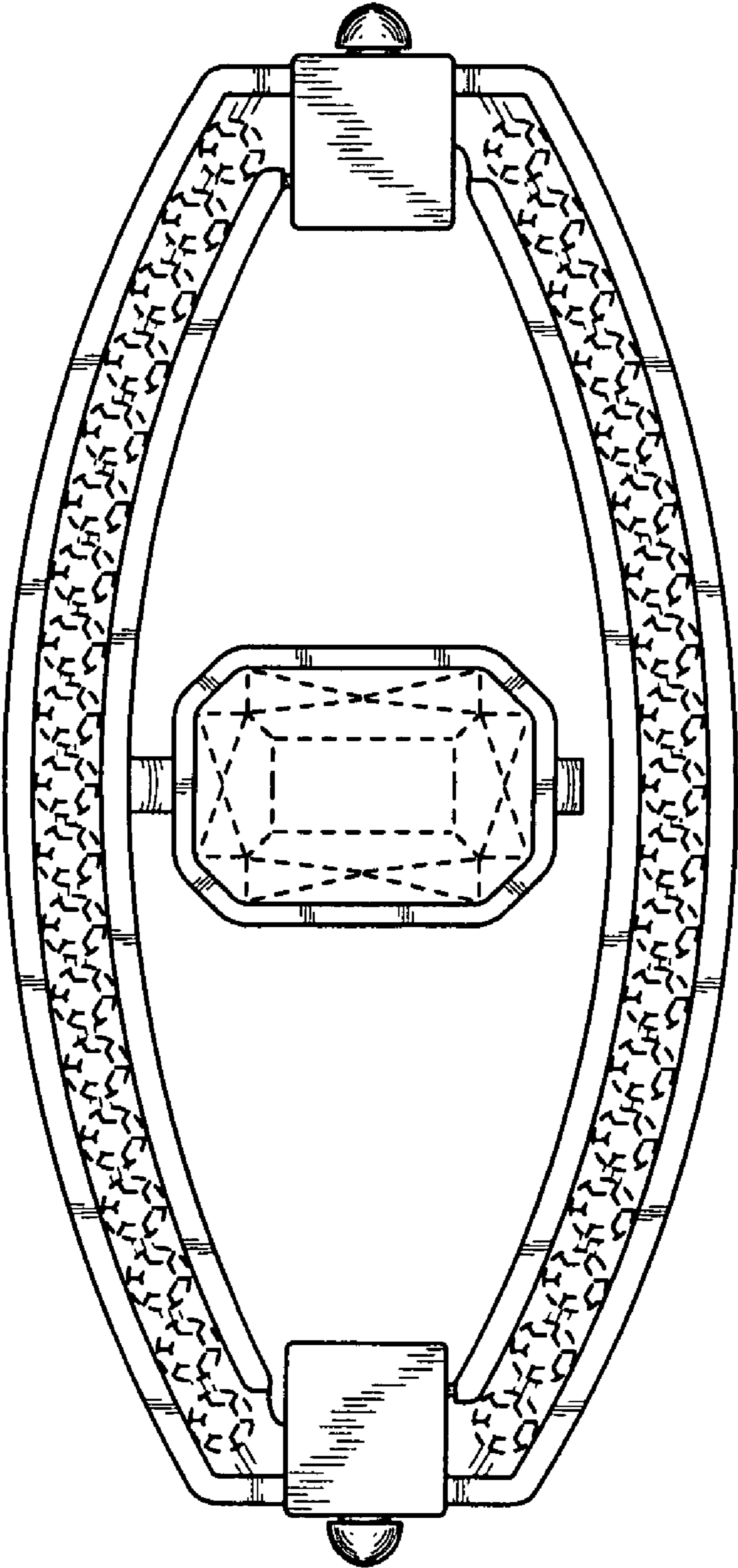


FIG. 2

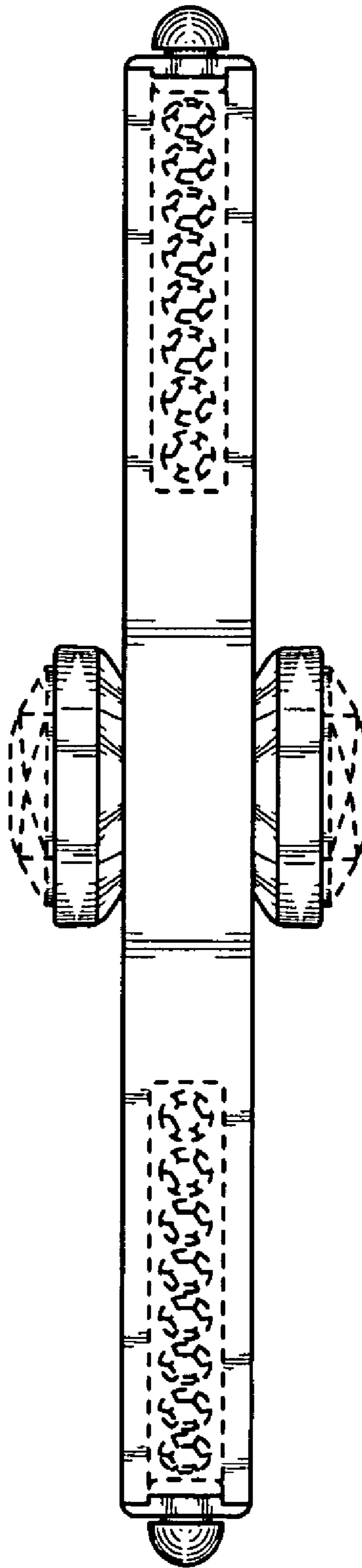


FIG. 3

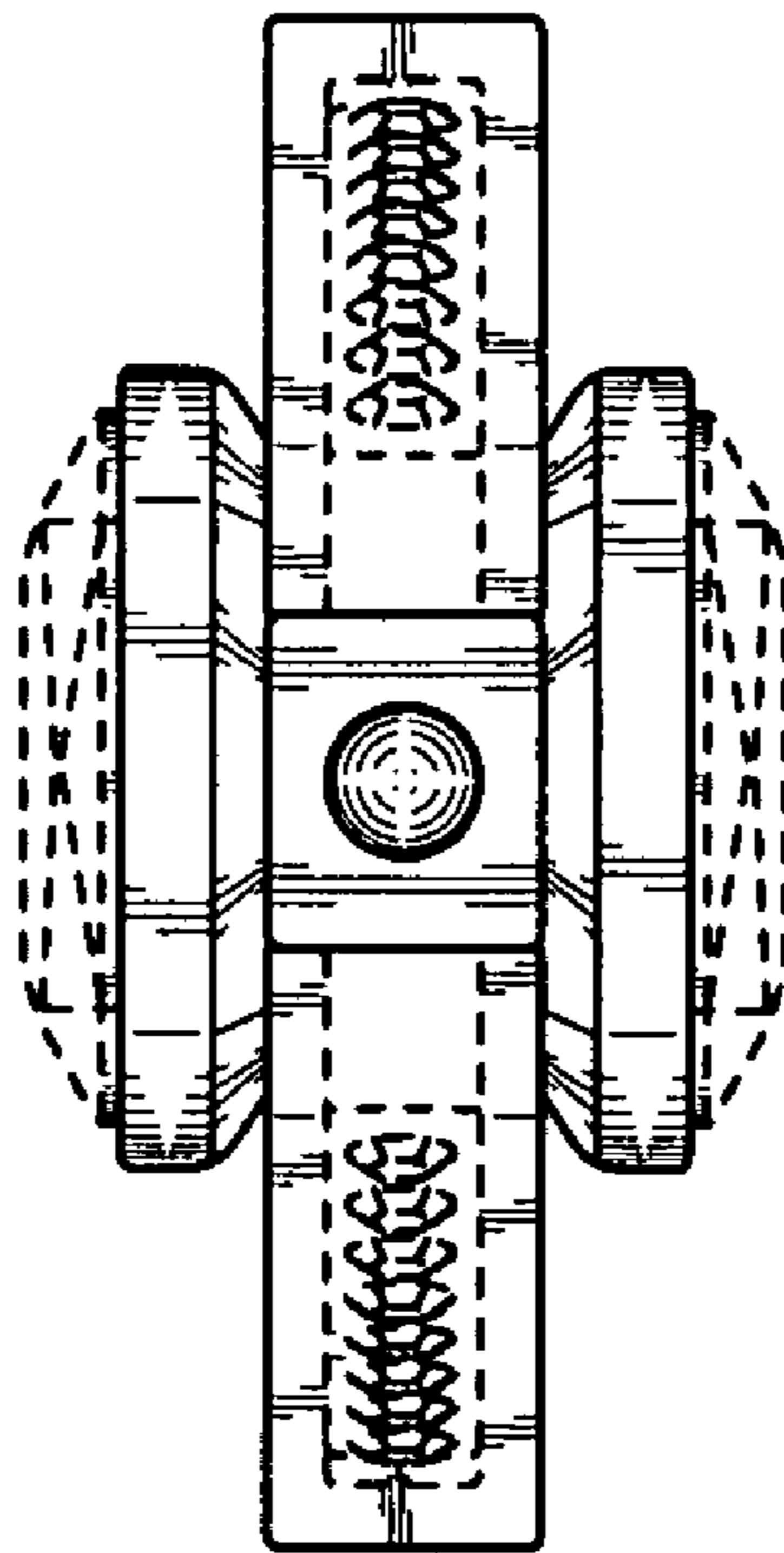


FIG. 4