



US00D612608S

(12) **United States Design Patent**
Snell

(10) **Patent No.:** **US D612,608 S**
(45) **Date of Patent:** **** Mar. 30, 2010**

(54) **DRAWER ORGANIZER**

D591,510 S * 5/2009 Auer et al. D3/304

(75) Inventor: **Russell Benton Snell**, Bentleyville, OH
(US)

(73) Assignee: **InterDesign, Inc.**, Solon, OH (US)

(**) Term: **14 Years**

(21) Appl. No.: **29/313,090**

(22) Filed: **Dec. 4, 2008**

(51) **LOC (9) Cl.** **03-01**

(52) **U.S. Cl.** **D3/304**

(58) **Field of Classification Search** D3/201,
D3/304-314; D9/424-425; 206/373, 503,
206/505-507, 519, 557; 220/676
See application file for complete search history.

(56) **References Cited**

U.S. PATENT DOCUMENTS

130,470	A *	8/1872	Carpenter	384/180
D149,809	S *	6/1948	Gordon	D3/314
2,602,568	A *	7/1952	Kinney, Jr.	206/519
2,859,557	A *	11/1958	Lattuca	47/65.5
3,831,745	A *	8/1974	Rump et al.	206/520
4,082,184	A *	4/1978	Hammer	206/519
D255,658	S *	7/1980	Dugan et al.	D9/425
D255,659	S *	7/1980	Dugan et al.	D9/425
5,113,800	A *	5/1992	Van Epps et al.	119/78
D363,662	S *	10/1995	Plater	D9/425
7,051,677	B2 *	5/2006	Van Epps et al.	119/78
D530,516	S	10/2006	Snell		
D530,918	S	10/2006	Snell		
D530,919	S	10/2006	Snell		
D530,920	S	10/2006	Snell		
D530,921	S	10/2006	Snell		
D538,536	S *	3/2007	Kopenhaver et al.	D3/305
D547,064	S	7/2007	Snell		
D549,456	S	8/2007	Dretzka		
D549,457	S	8/2007	Dretzka		
D551,453	S	9/2007	Snell		
D555,904	S	11/2007	Snell		

OTHER PUBLICATIONS

InterDesign, Inc. Product Brochure—2000, p. 46.

(Continued)

Primary Examiner—T. Chase Nelson

Assistant Examiner—Kathleen M Sims

(74) *Attorney, Agent, or Firm*—D. Peter Hochberg; Sean F. Mellino; Daniel J. Smola

(57) **CLAIM**

The ornamental design for a drawer organizer, as shown and described.

DESCRIPTION

FIG. 1 is a perspective view of the drawer organizer according to the invention;

FIG. 2 is a top view of the drawer organizer as shown in FIG. 1;

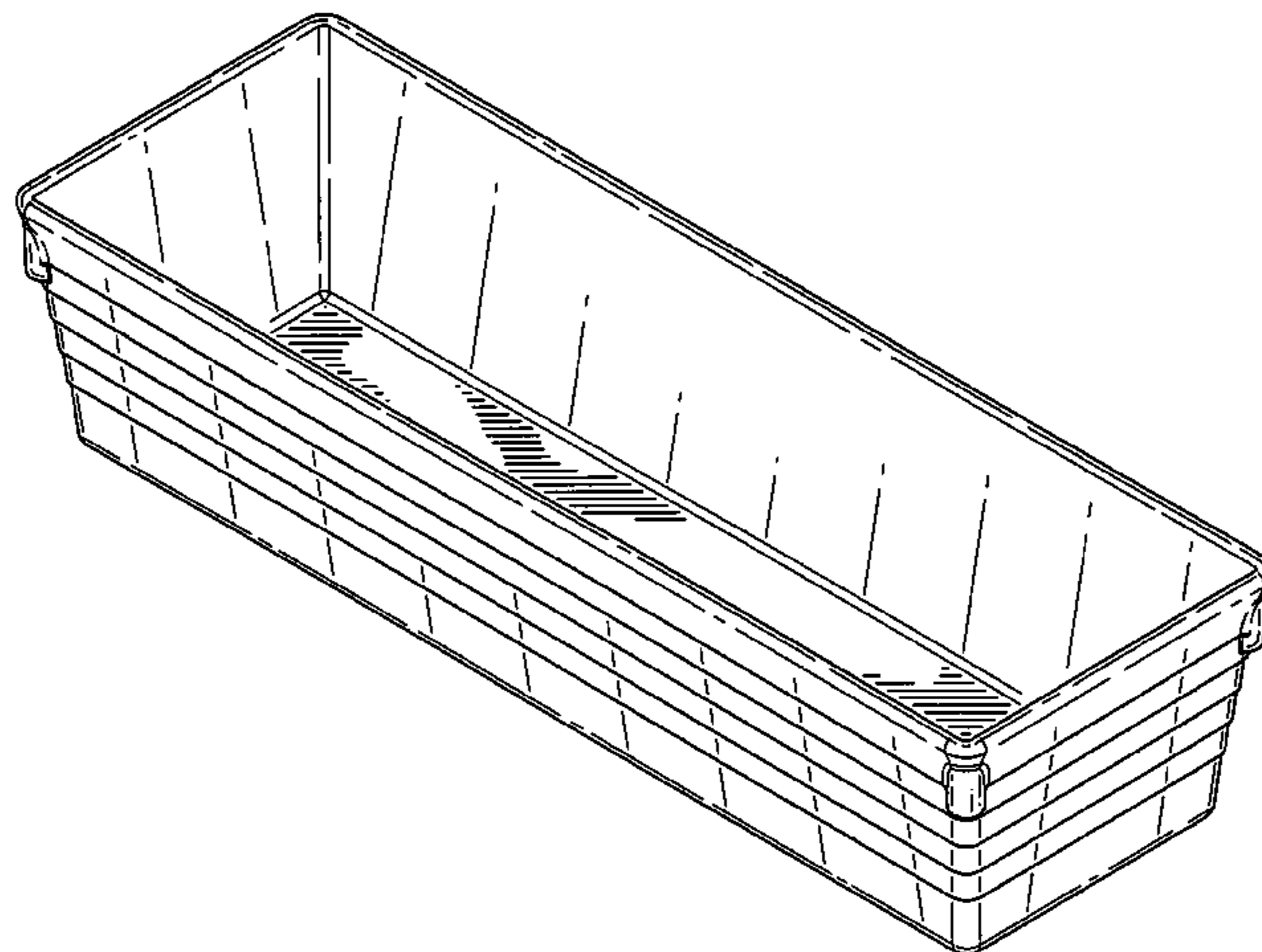
FIG. 3 is a bottom view of the drawer organizer as shown in FIG. 1;

FIG. 4 is a side view of the drawer organizer as shown in FIG. 1, the opposing side view of the drawer organizer as shown in FIG. 1 being identical to the side view as shown in FIG. 4; and,

FIG. 5 is a front view of the drawer organizer as shown in FIG. 1, the rear view of the drawer organizer as shown in FIG. 1 being identical to the front view as shown in FIG. 5.

The broken lines shown in FIGS. 3-5 are for illustrative purposes only and form no part of the claimed design.

1 Claim, 3 Drawing Sheets



US D612,608 S

Page 2

OTHER PUBLICATIONS

InterDesign, Inc. Product Brochure—2001, p. 10.

InterDesign, Inc. Product Brochure—2003, p. 56.

InterDesign, Inc. Product Brochure—2005, pp. 42, 43, 51.

InterDesign, Inc. Product Brochure—2006, pp. 46, 47.

InterDesign, Inc. Product Brochure—2007, pp. 61,62,63.

* cited by examiner

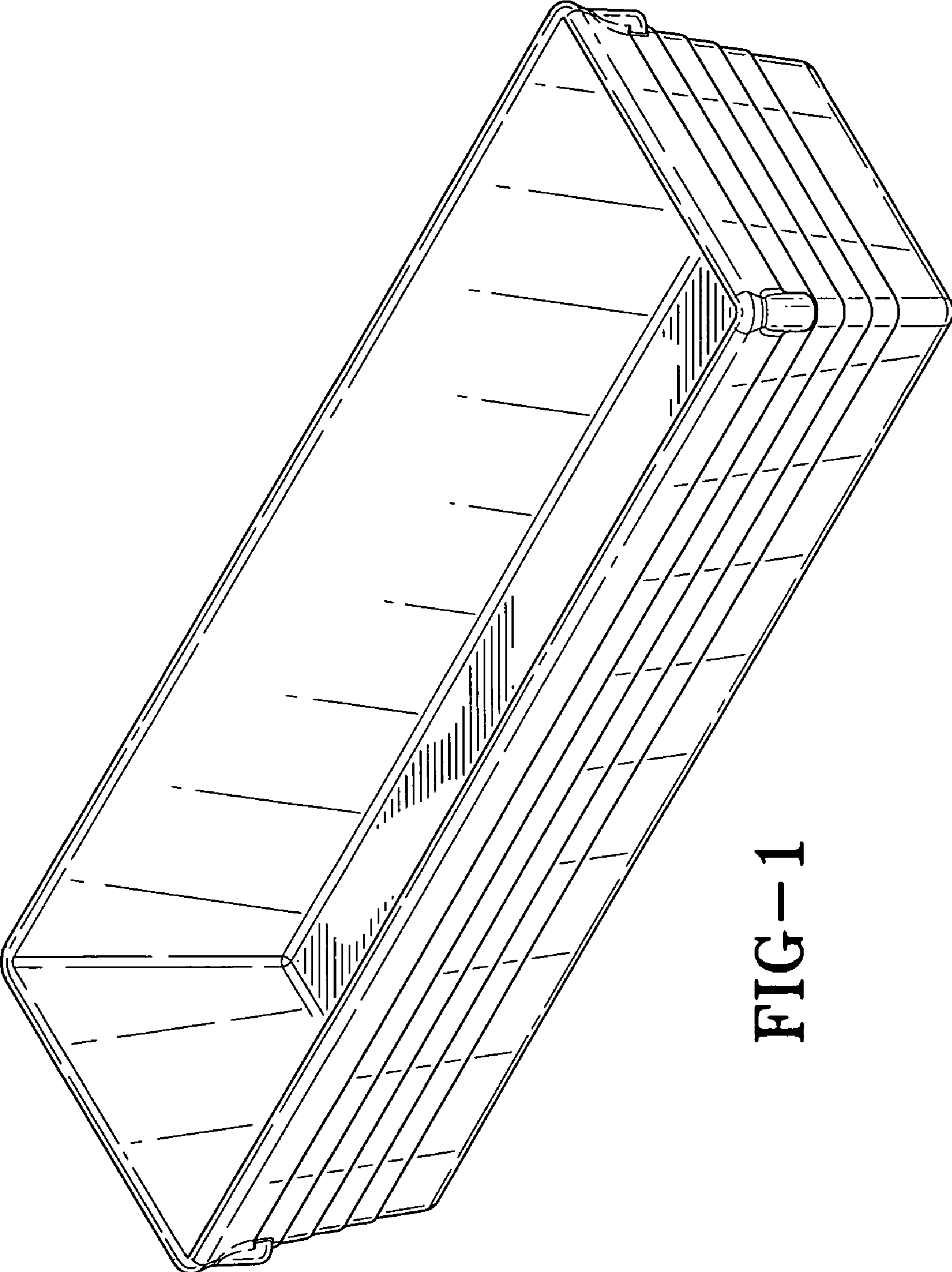


FIG-1

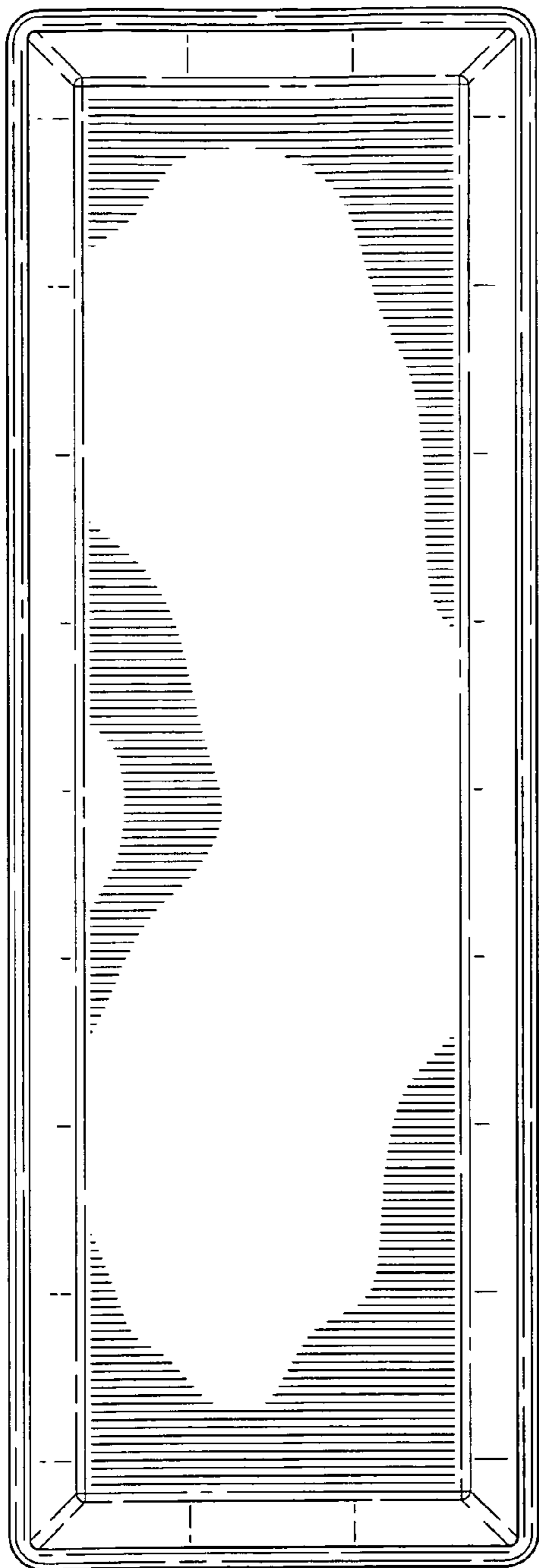


FIG-2

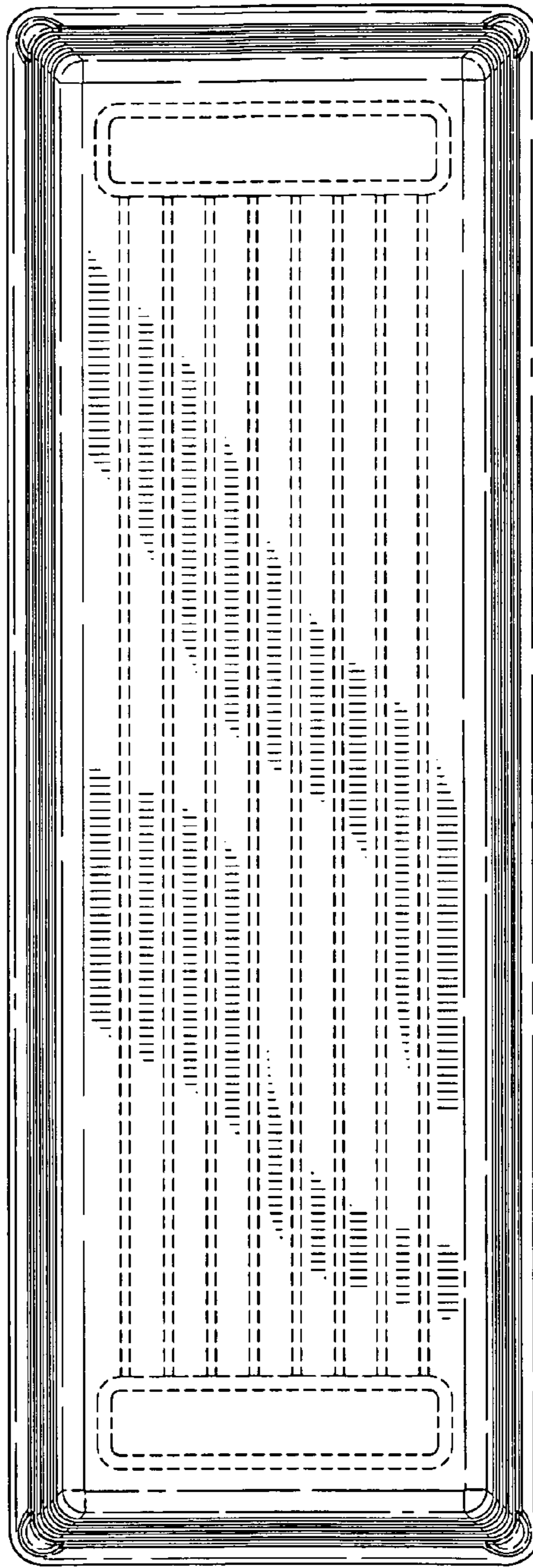


FIG-3

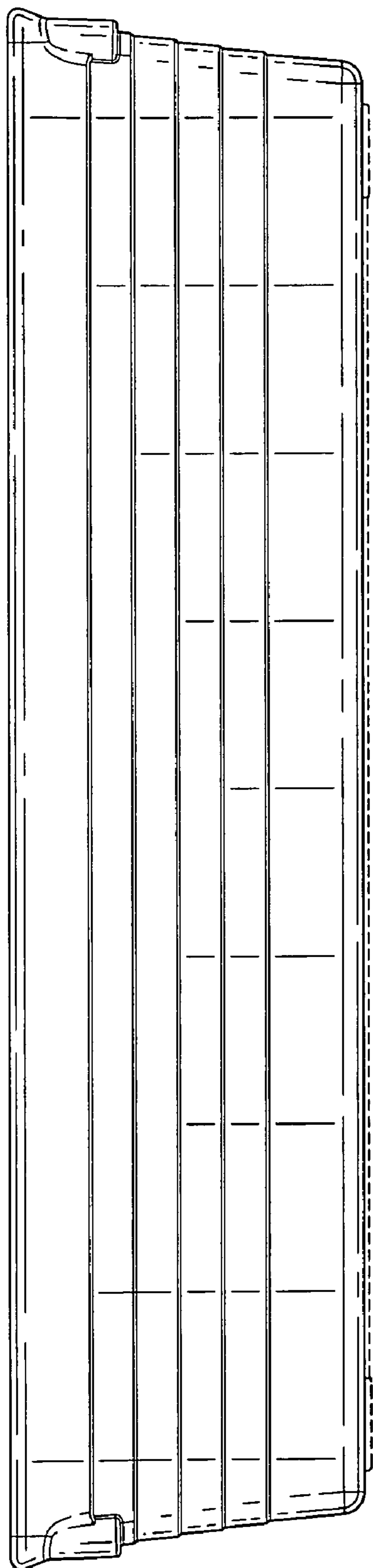


FIG-4

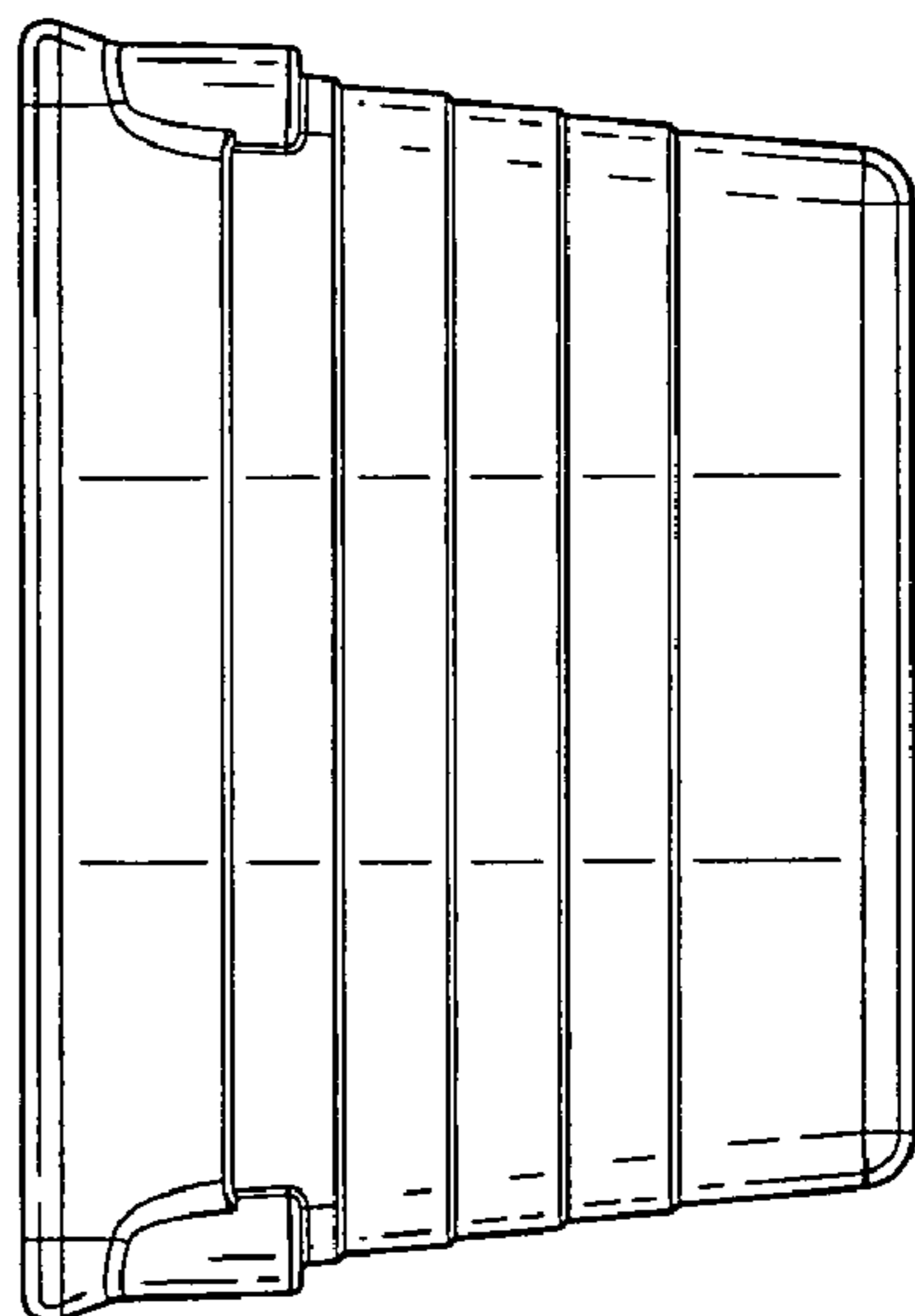


FIG-5