



US00D612602S

(12) **United States Design Patent**  
**Murdoch et al.**

(10) **Patent No.:** **US D612,602 S**  
(45) **Date of Patent:** **\*\* Mar. 30, 2010**

(54) **CARRIER FOR A CAMERA**

(75) Inventors: **Douglas Harland Murdoch**, Santa Rosa, CA (US); **Michael Sturm**, Redding, CA (US)

(73) Assignee: **Think Tank Photo, Inc.**, Santa Rosa, CA (US)

(\*\*) Term: **14 Years**

(21) Appl. No.: **29/273,361**

(22) Filed: **Mar. 1, 2007**

(51) **LOC (9) Cl.** ..... **03-01**

(52) **U.S. Cl.** ..... **D3/267; D3/263; D3/268**

(58) **Field of Classification Search** ..... D3/201, D3/202, 216, 217, 219, 233, 243, 263, 265, D3/267, 268, 273, 276, 283, 285, 287, 289, D3/290, 301; 224/245, 908, 673; 206/316.1, 206/316.2; 248/187.1; 292/DIG. 48; 190/111  
See application file for complete search history.

(56) **References Cited**

**U.S. PATENT DOCUMENTS**

2,597,194 A \* 5/1952 Sholl ..... 190/111

(Continued)

*Primary Examiner*—Celia A Murphy

(74) *Attorney, Agent, or Firm*—R. Dabney Eastham

(57) **CLAIM**

The ornamental design for a carrier for a camera, as shown and described.

**DESCRIPTION**

FIG. 1 is a front perspective view of a carrier for a camera of the present disclosed design.

FIG. 2 is a front side perspective view of the carrier of FIG. 1.

FIG. 3 is a left side perspective view of the carrier of FIG. 1.

FIG. 4 is a right side perspective view of the carrier of FIG. 1.

FIG. 5 is a back side perspective view of the carrier of FIG. 1.

FIG. 6 is a top perspective view of the carrier of FIG. 1.

FIG. 7 is a bottom perspective view of the carrier of FIG. 1.

FIG. 8 is a front side perspective view of the carrier of FIG. 1 in an extended configuration.

FIG. 9 is a left side perspective view of the carrier of FIG. 1 in an extended configuration.

FIG. 10 is a right side perspective view of the carrier of FIG. 1 in an extended configuration.

FIG. 11 is a back side perspective view of the carrier of FIG. 1 in an extended configuration.

FIG. 12 is a front perspective view of an alternate embodiment of a carrier for a camera of the present disclosed design.

FIG. 13 is a front side perspective view of the carrier of FIG. 12.

FIG. 14 is a left side perspective view of the carrier of FIG. 12.

FIG. 15 is a right side perspective view of the carrier of FIG. 12.

FIG. 16 is a back side perspective view of the carrier of FIG. 12.

FIG. 17 is a top perspective view of the carrier of FIG. 12.

FIG. 18 is a bottom perspective view of the carrier of FIG. 12.

FIG. 19 is a front side perspective view of the carrier of FIG. 12 in an extended configuration.

FIG. 20 is a left side perspective view of the carrier of FIG. 12 in an extended configuration.

FIG. 21 is a right side perspective view of the carrier of FIG. 12 in an extended configuration; and,

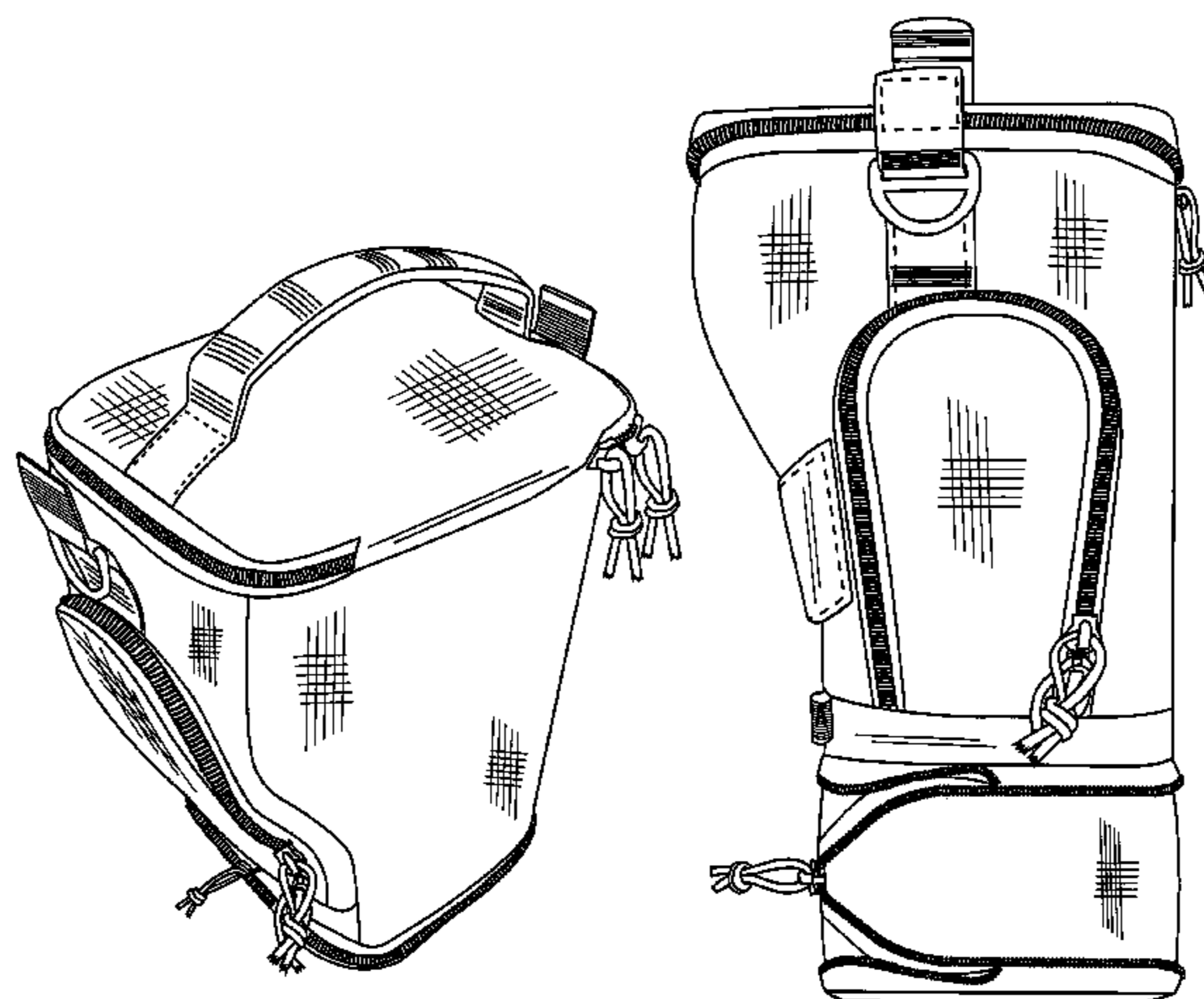
FIG. 22 is a back side perspective view of the carrier of FIG. 12 in an extended configuration.

The carrier depicted in the drawings is “soft” meaning that it is largely made of fabric.

The broken lines shown on the edges, bottom, and handle of the carrier, throughout the views are understood to represent stitching.

The striated lines shown on the handles and side strips in FIGS. 1–6; 8–17; & 19–22 are understood to continue across the circumscribed areas to which the lines are applied.

**1 Claim, 22 Drawing Sheets**



# US D612,602 S

Page 2

---

## U.S. PATENT DOCUMENTS

4,000,769	A	*	1/1977	Katz	.....	206/316.2			
D271,822	S	*	12/1983	Clancy	.....	D3/267			
D273,533	S	*	4/1984	Weinreb	.....	D3/268			
D284,333	S	*	6/1986	Huston	.....	D3/268			
D318,948	S	*	8/1991	Nordstrom	.....	D3/268			
D325,128	S	*	4/1992	Cyr et al.	.....	D3/287			
D340,574	S	*	10/1993	Weinreb	.....	D3/268			
5,526,907	A	*	6/1996	Trawick et al.	.....	190/111			
D375,622	S	*	11/1996	Croft	.....	D3/217			
D477,903	S	*	8/2003	Murdoch et al.	.....	D3/268			
D526,120	S	*	8/2006	Lee et al.	.....	D3/233			
D543,021	S	*	5/2007	Lee et al.	.....	D3/217			

\* cited by examiner

Fig. 1

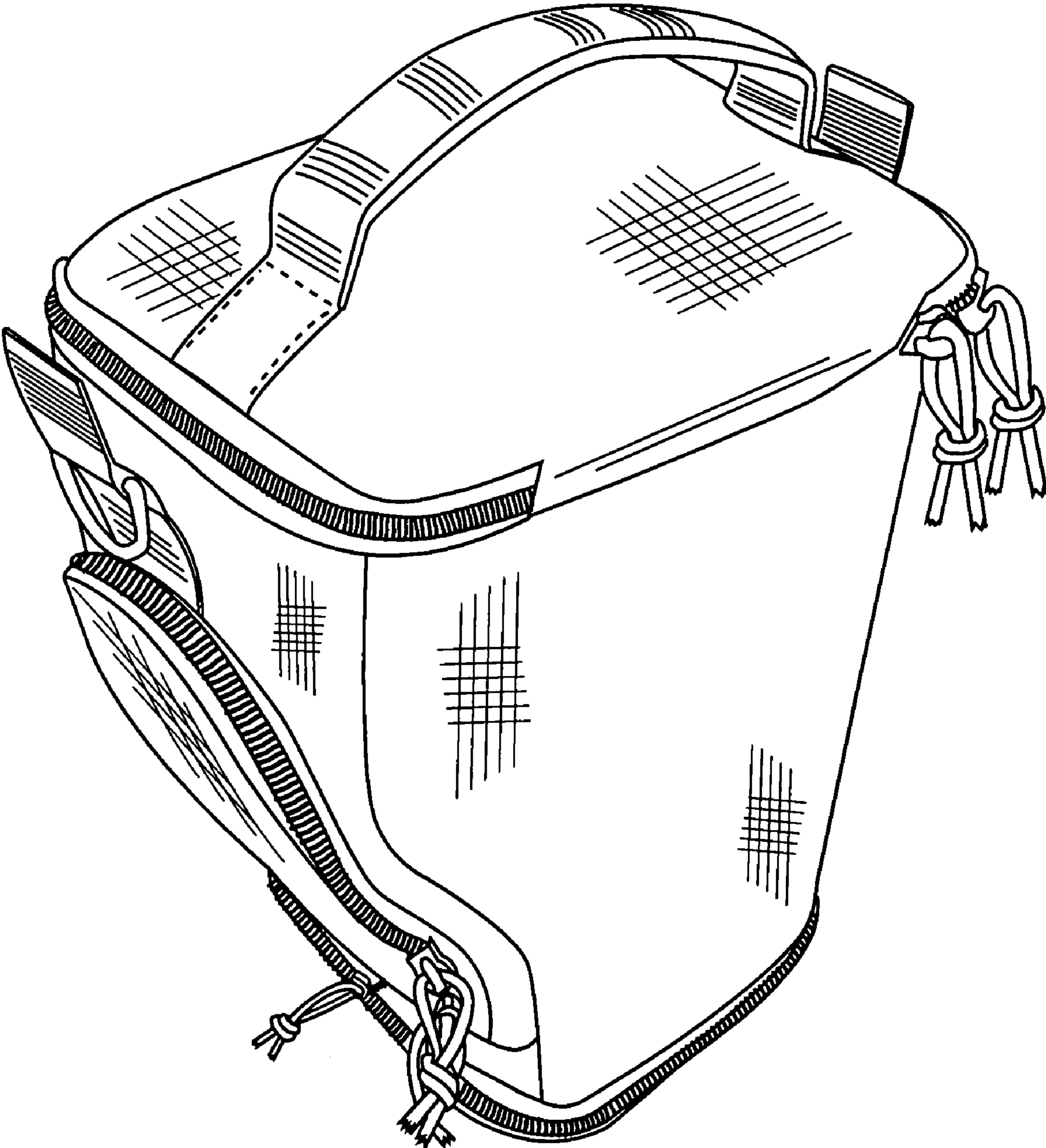


Fig. 2

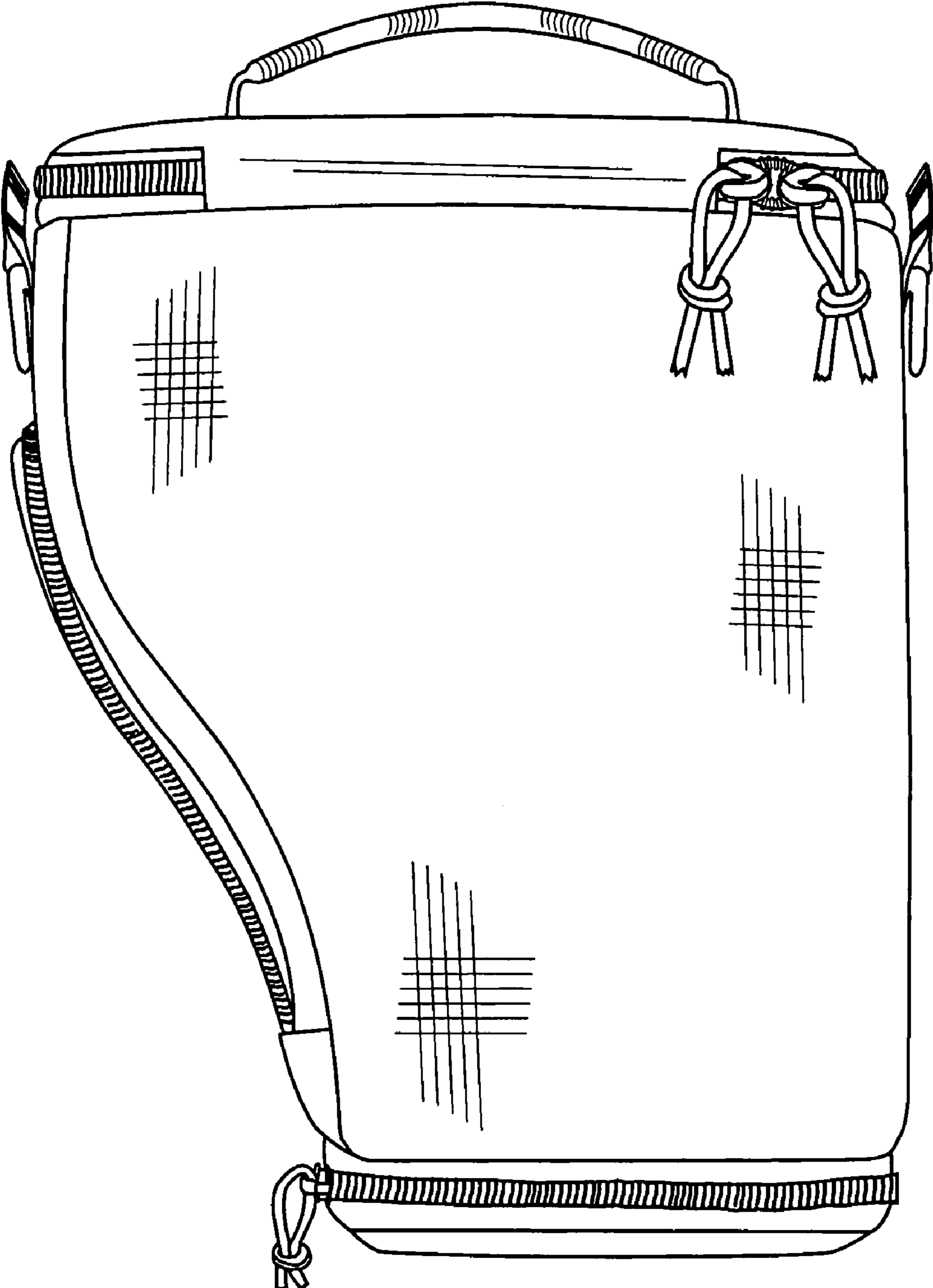




Fig. 3

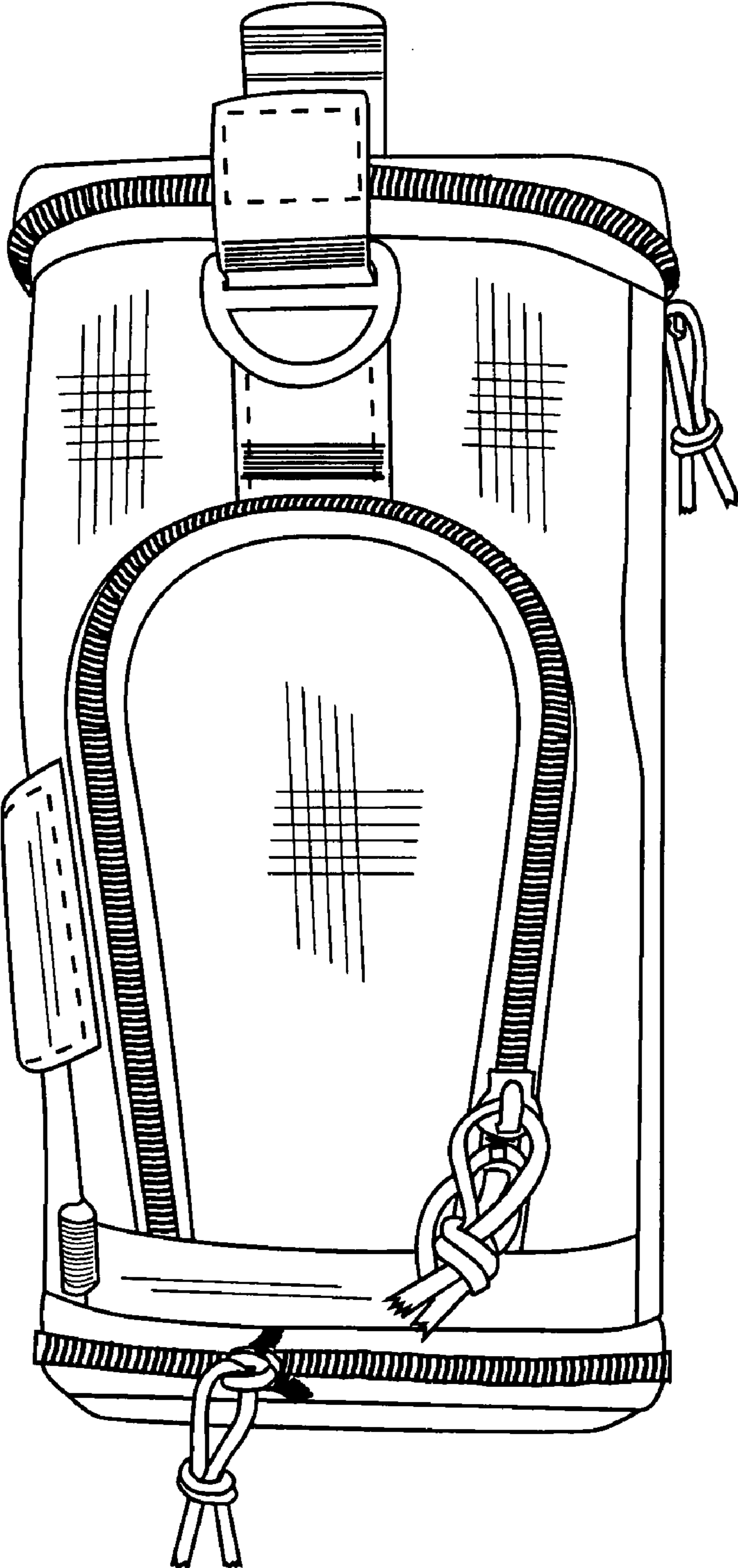


Fig. 4

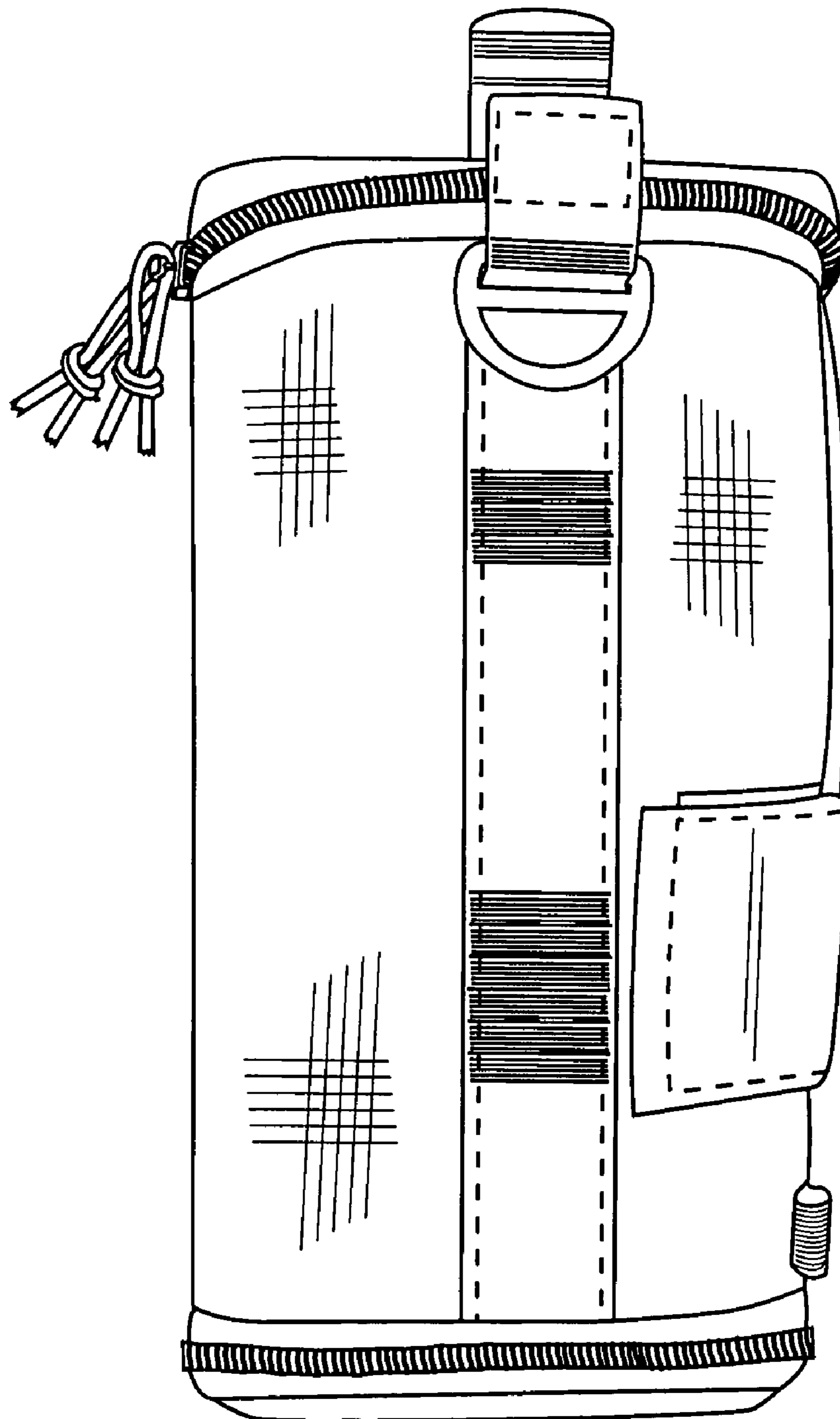


Fig. 5

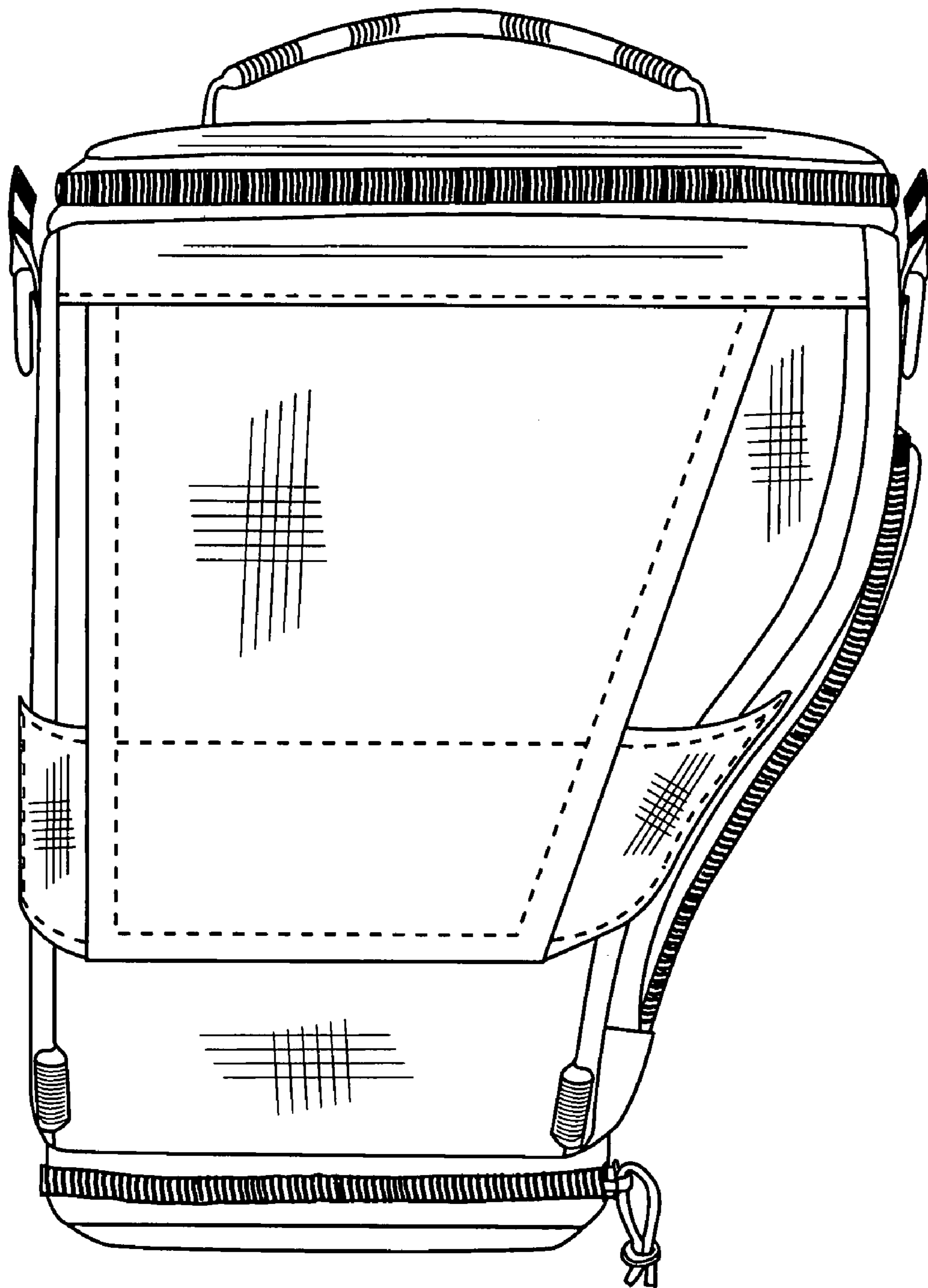


Fig. 6

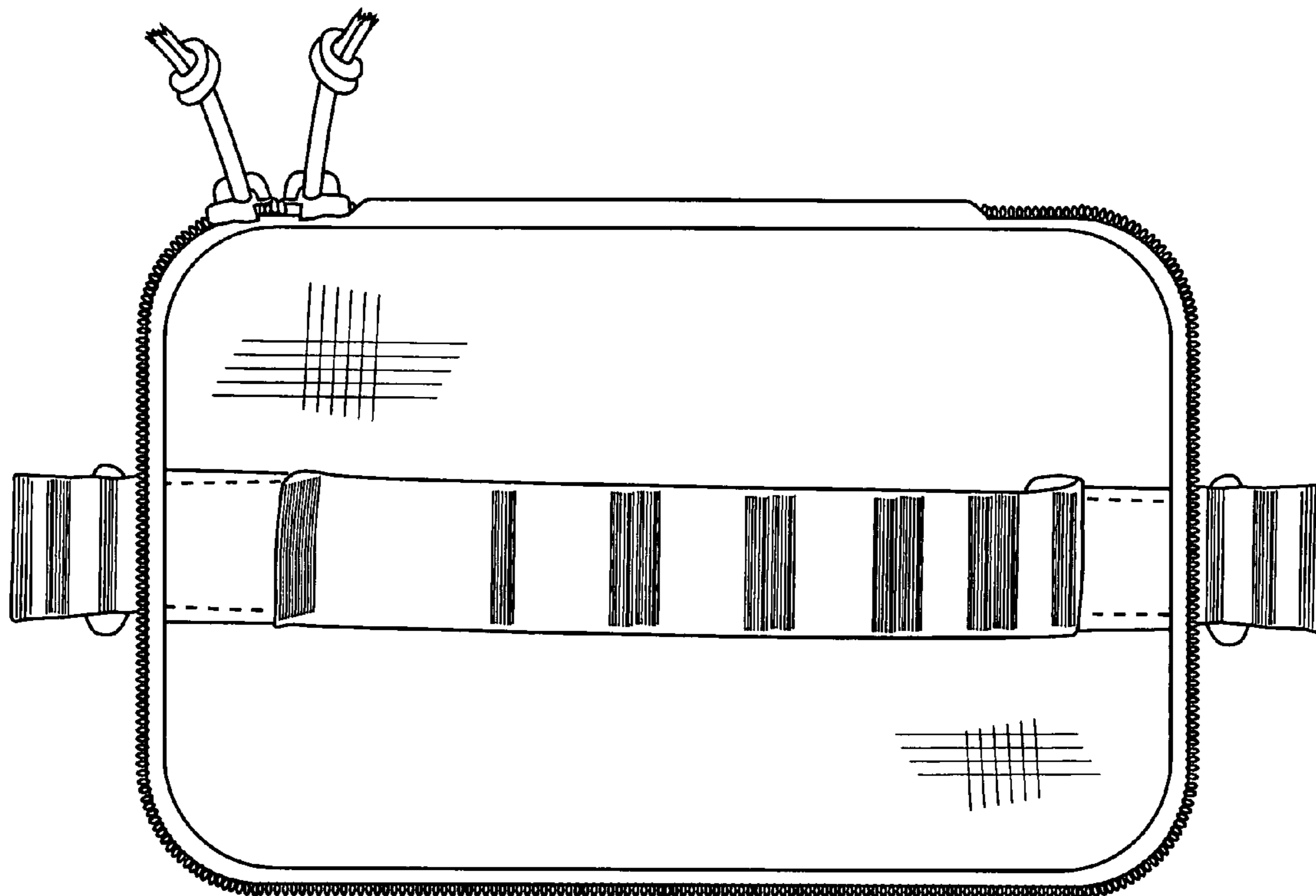




Fig. 7

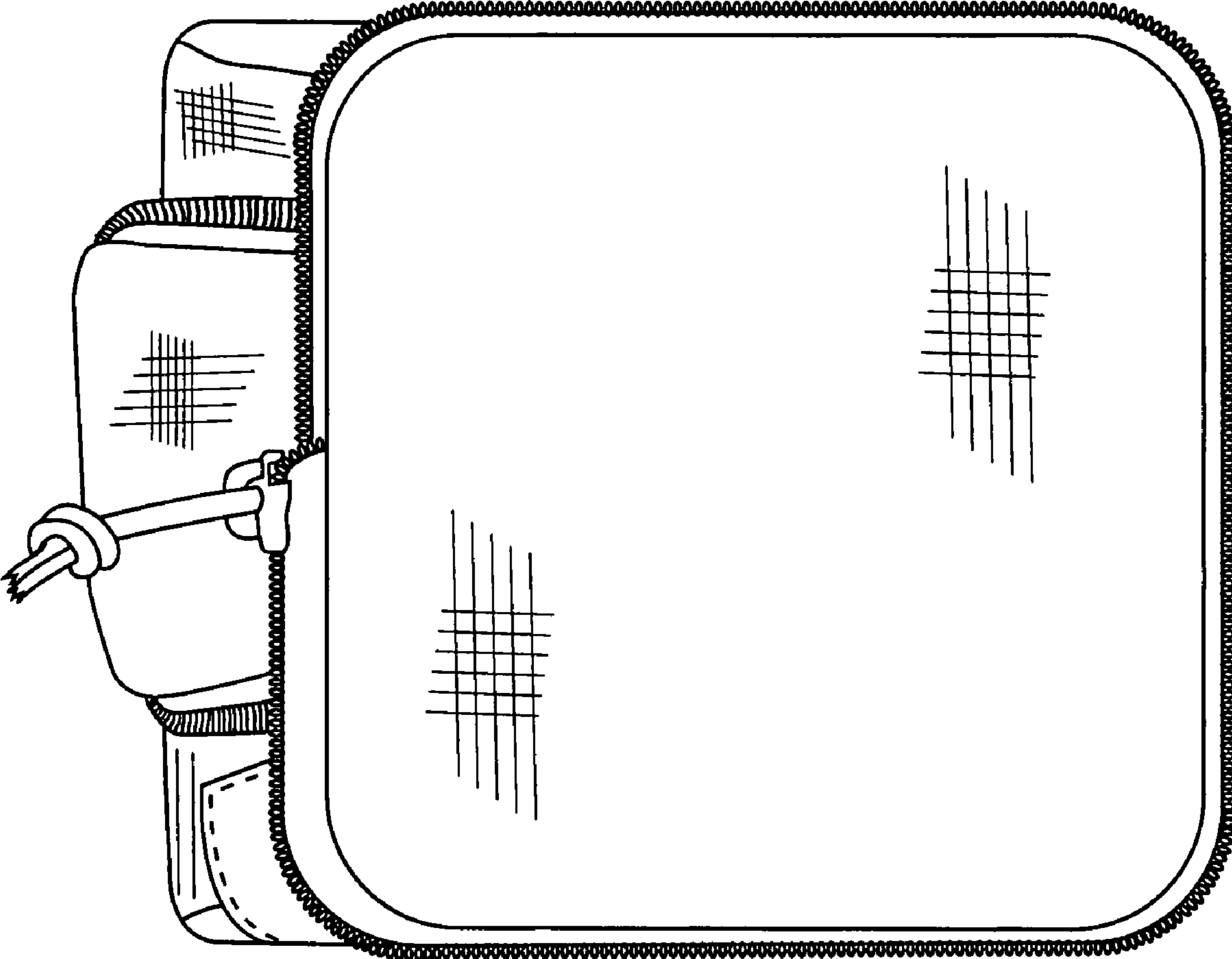


Fig. 8

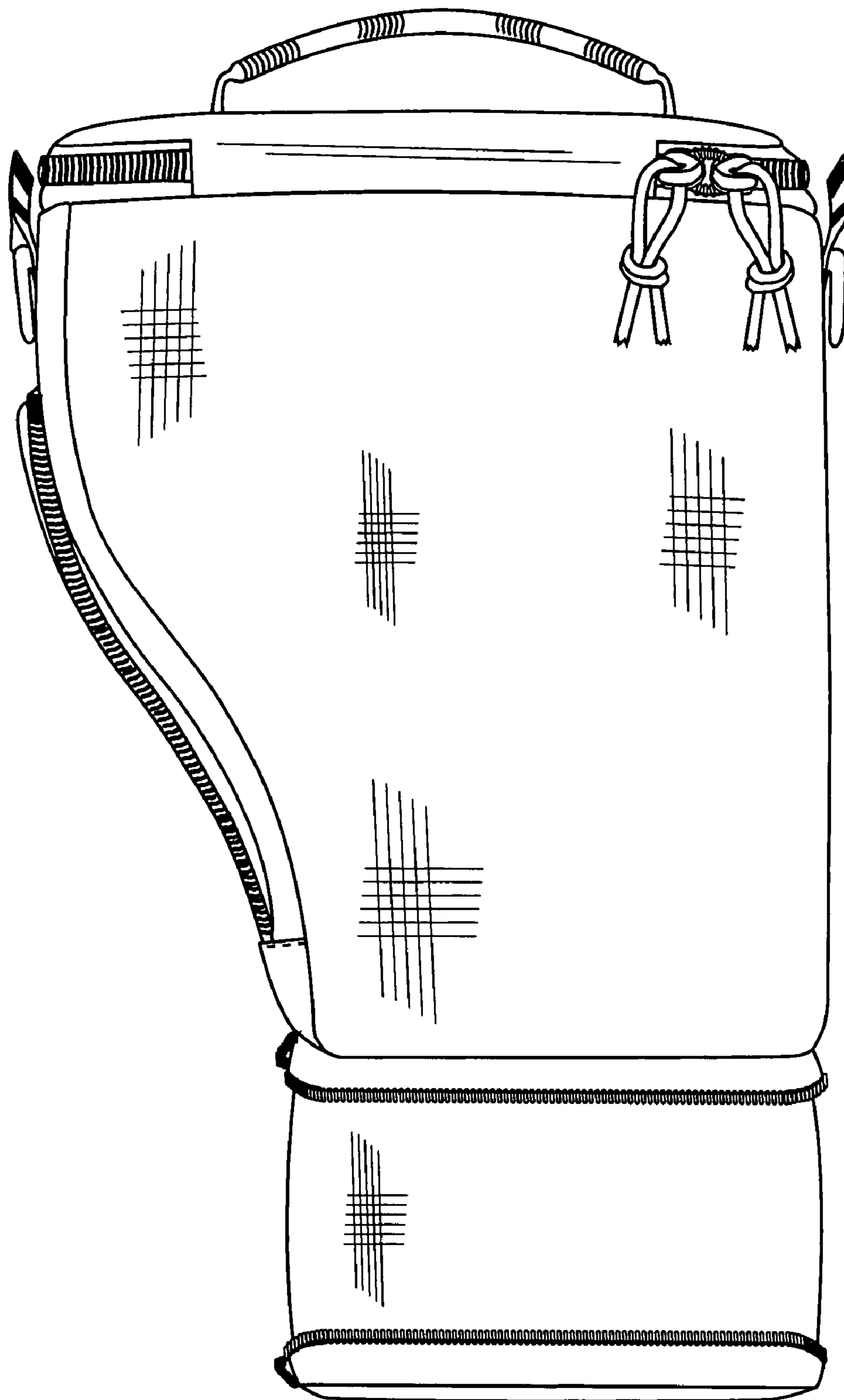


Fig. 9

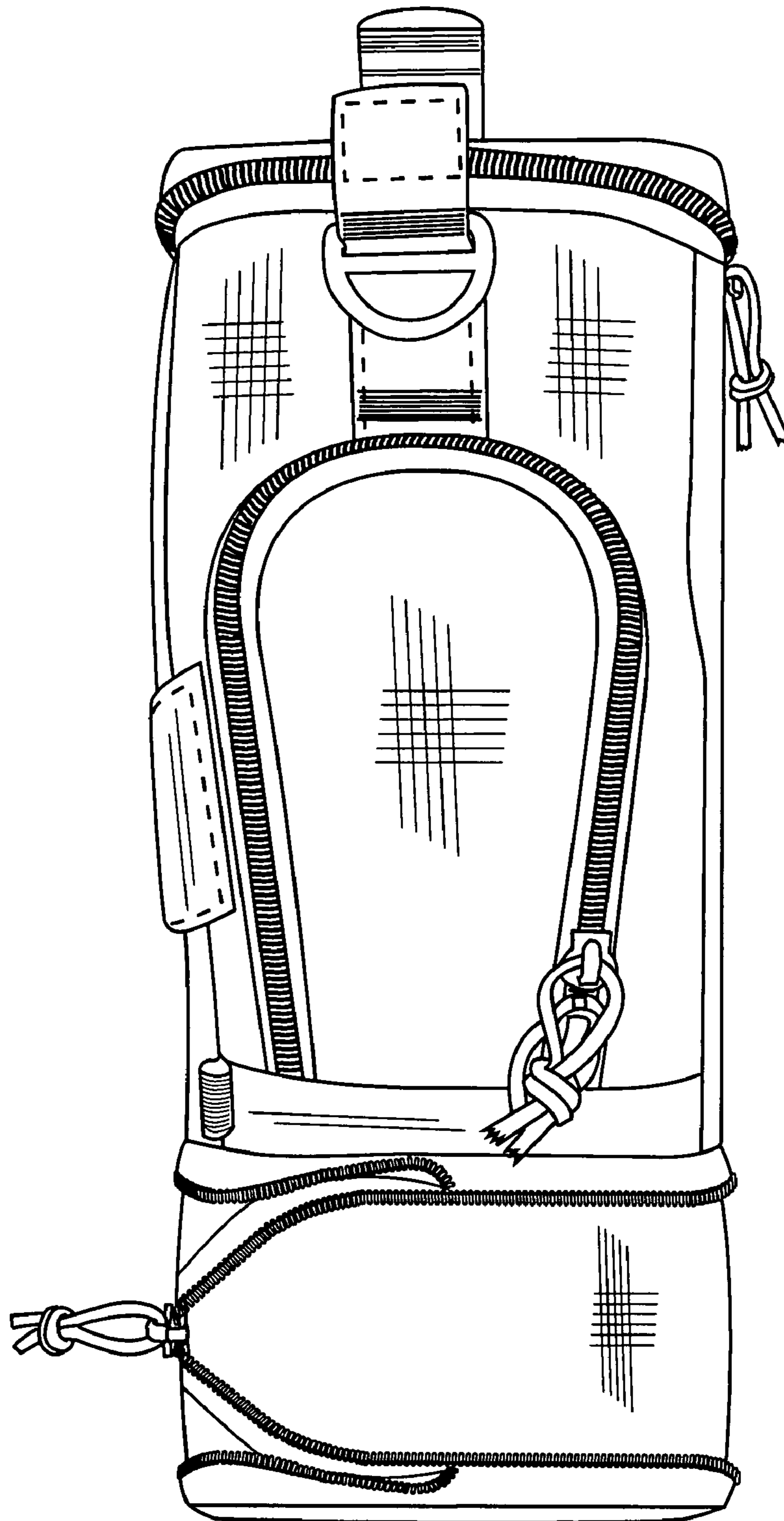


Fig. 10

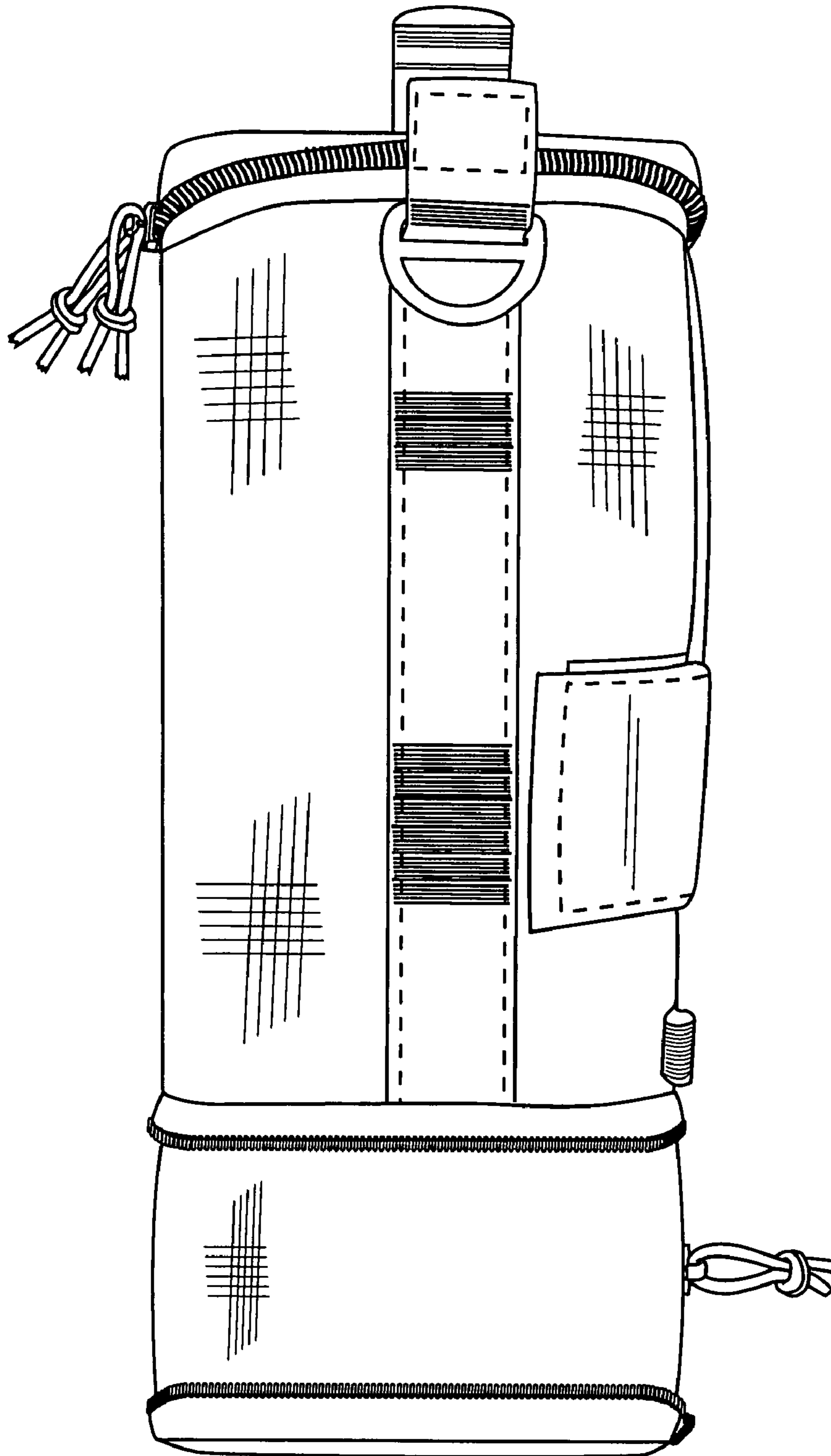


Fig. 11

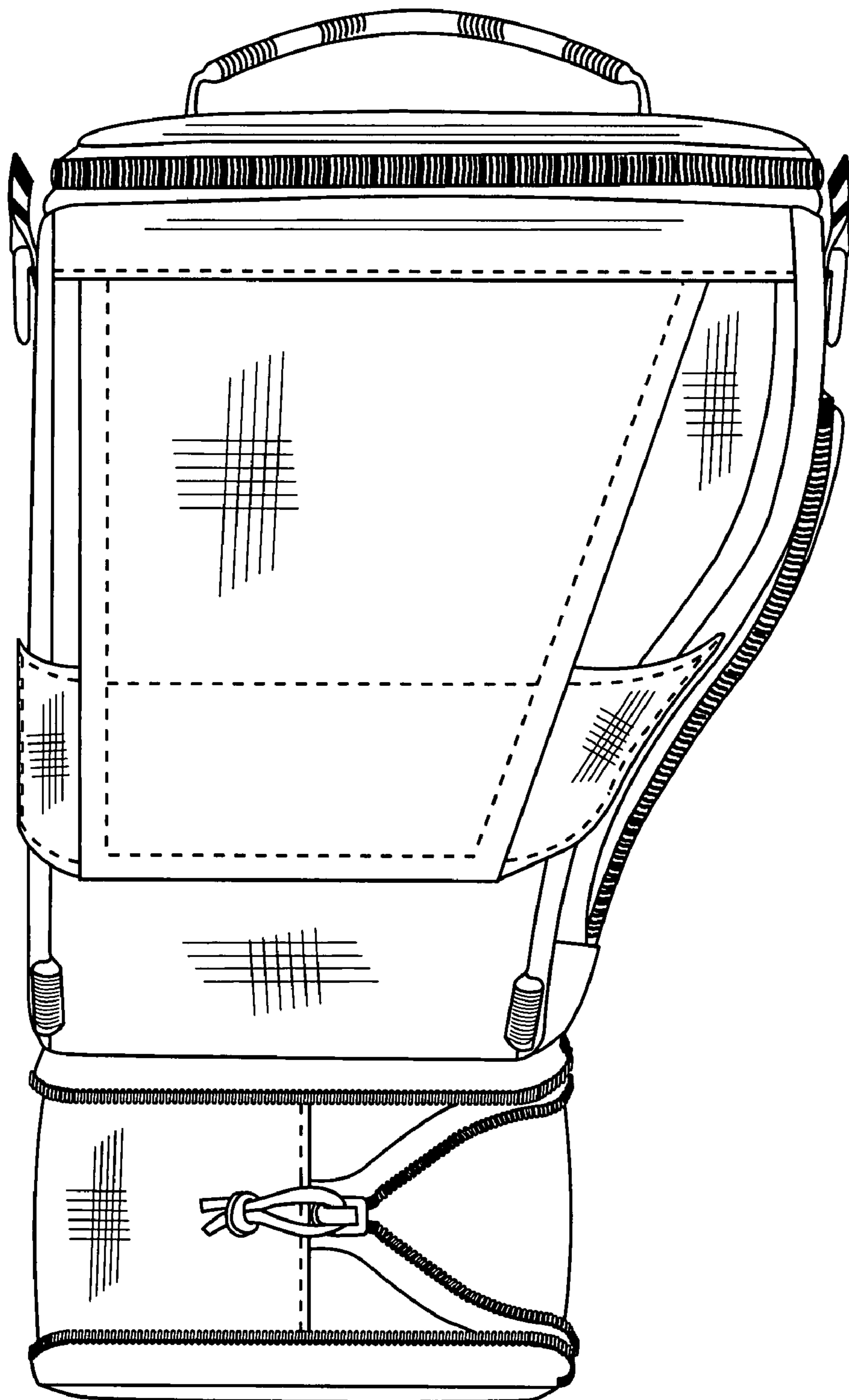




Fig. 12

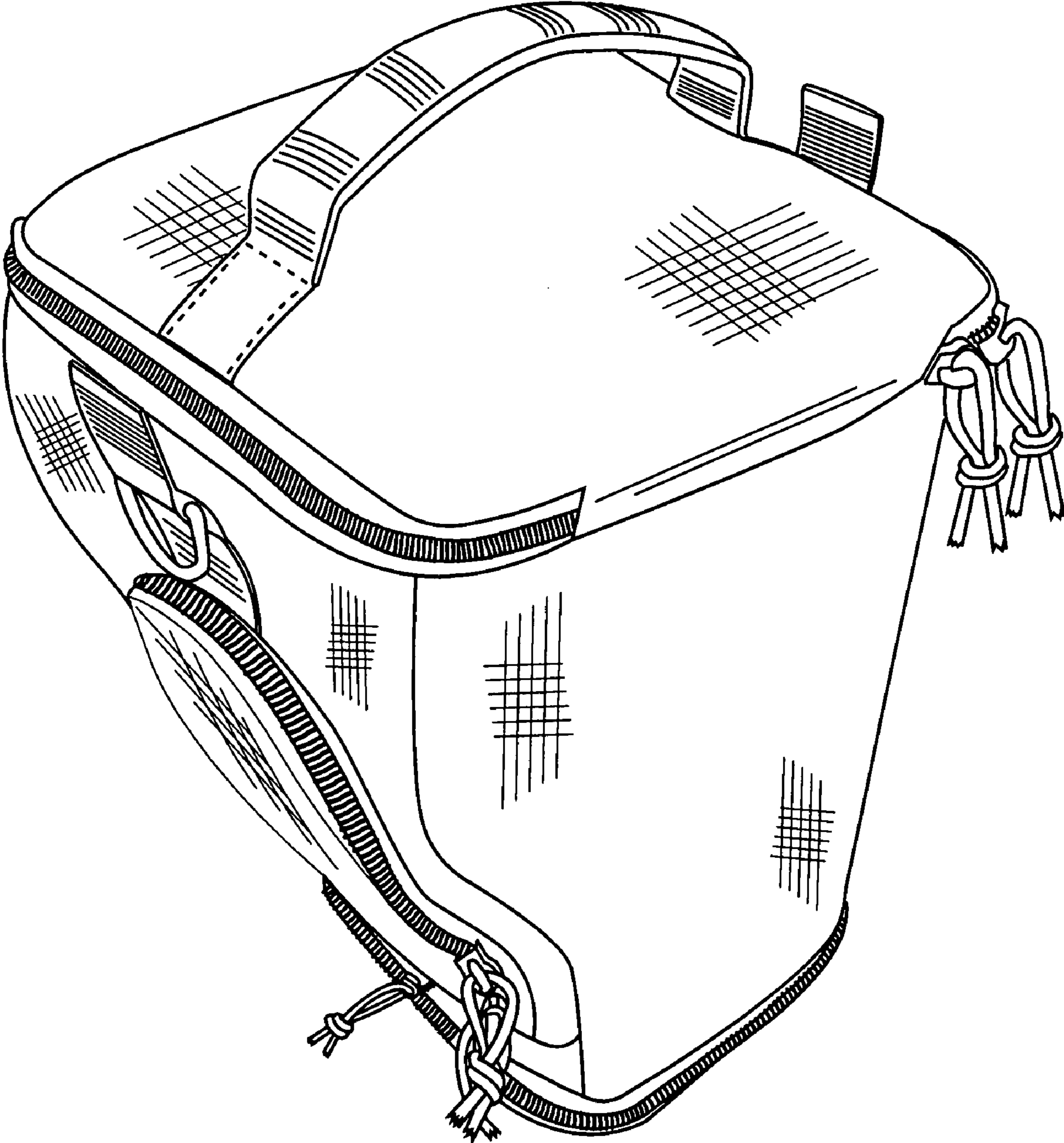


Fig. 13

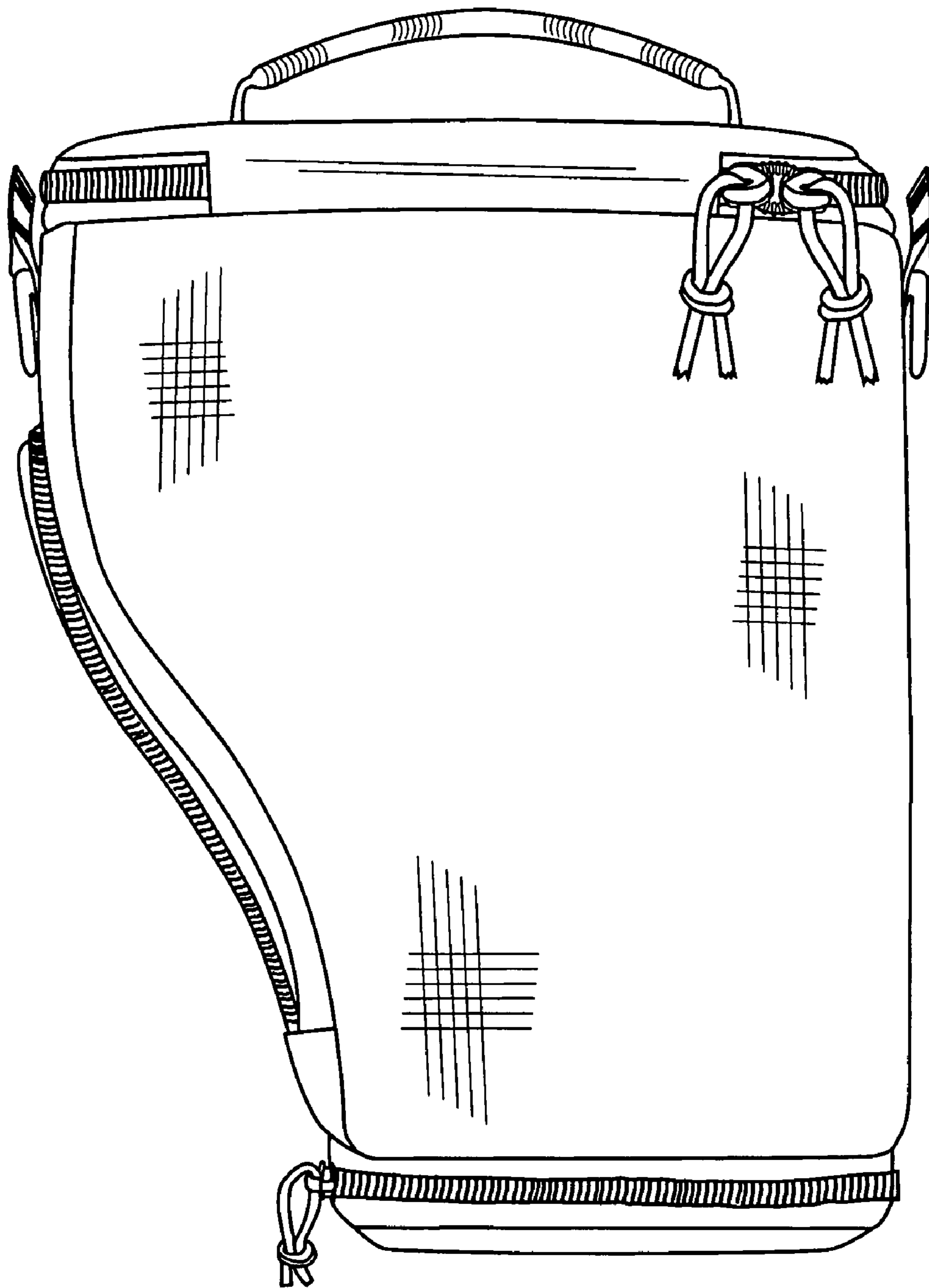


Fig. 14

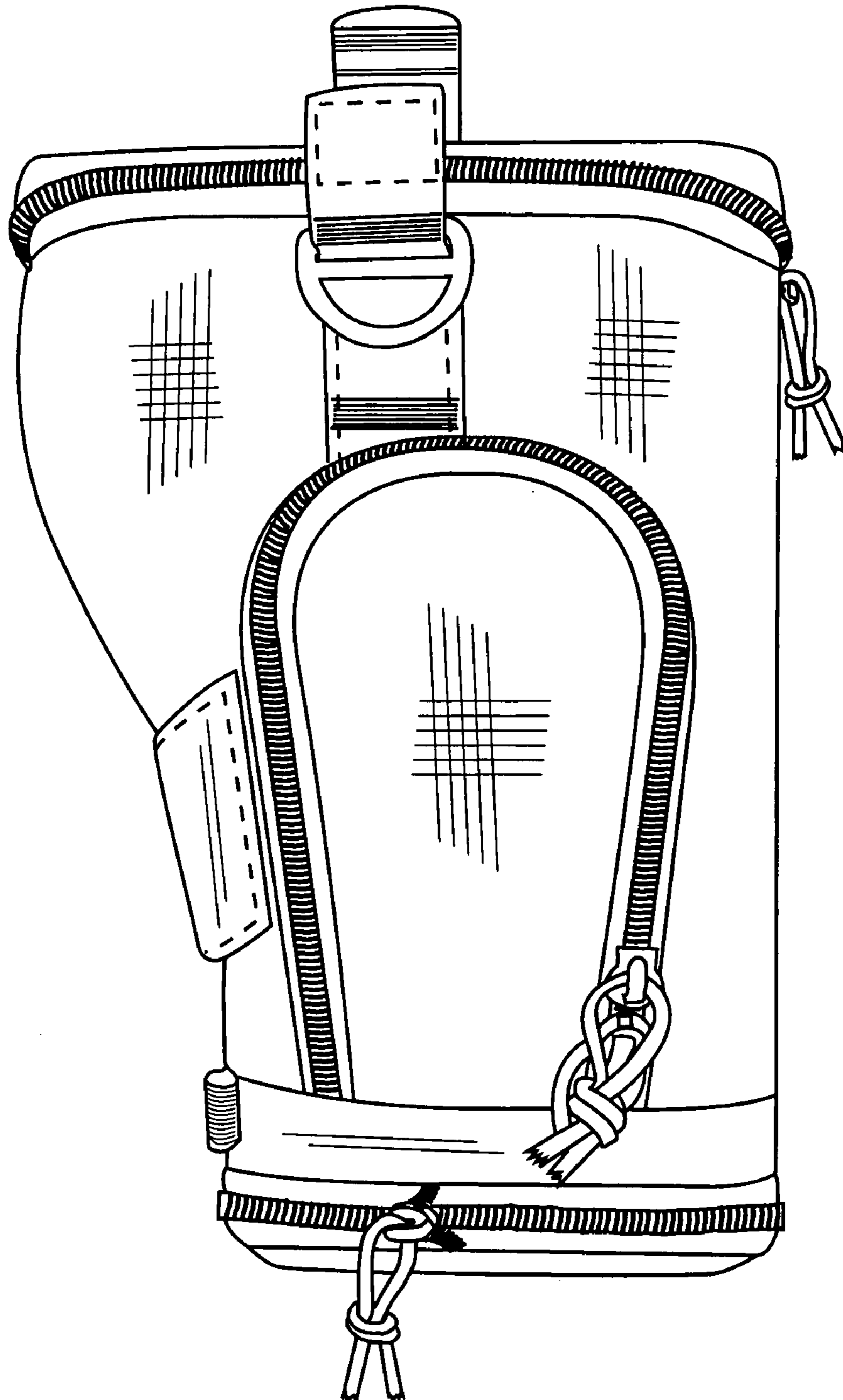


Fig. 15

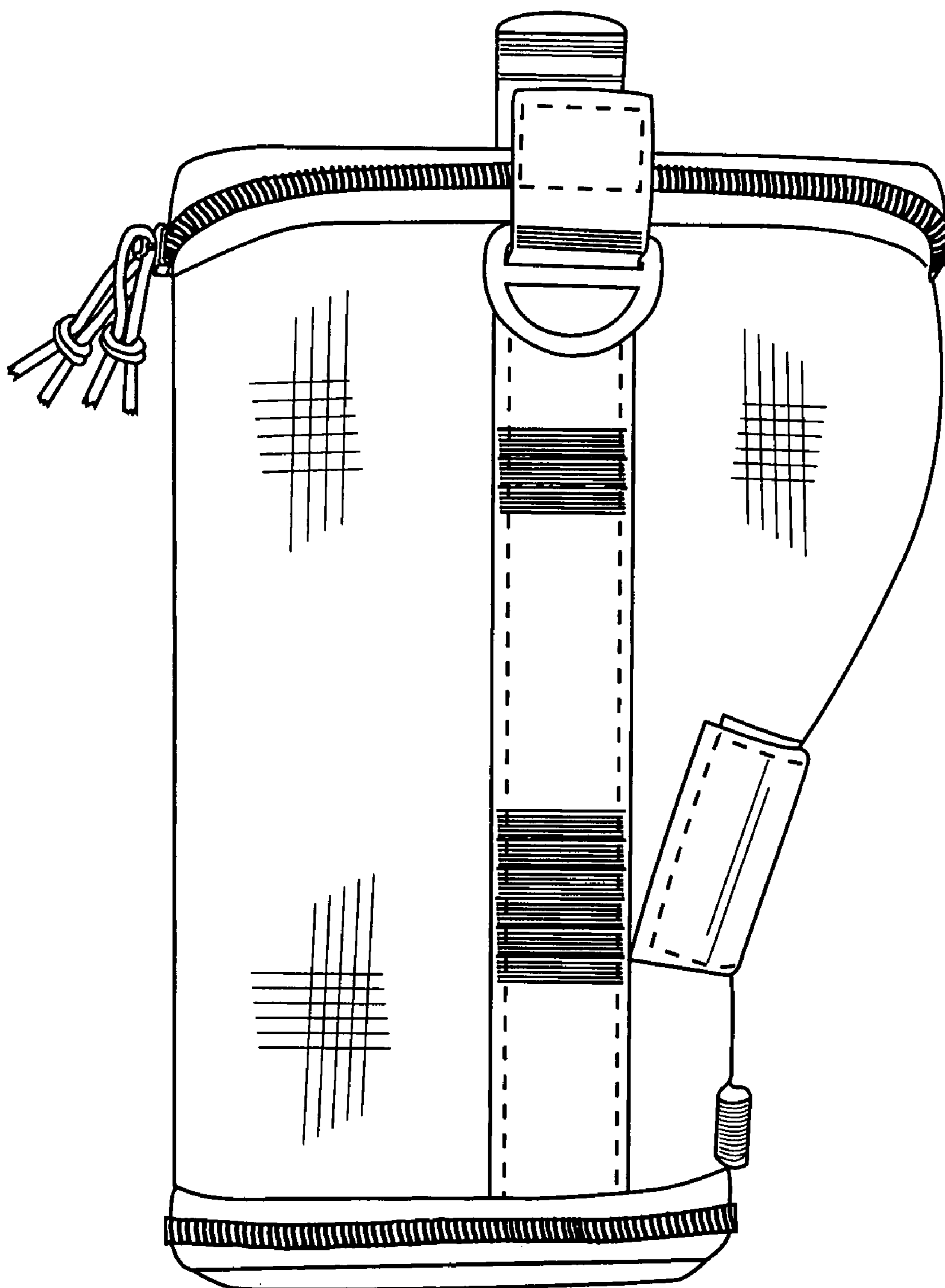


Fig. 16

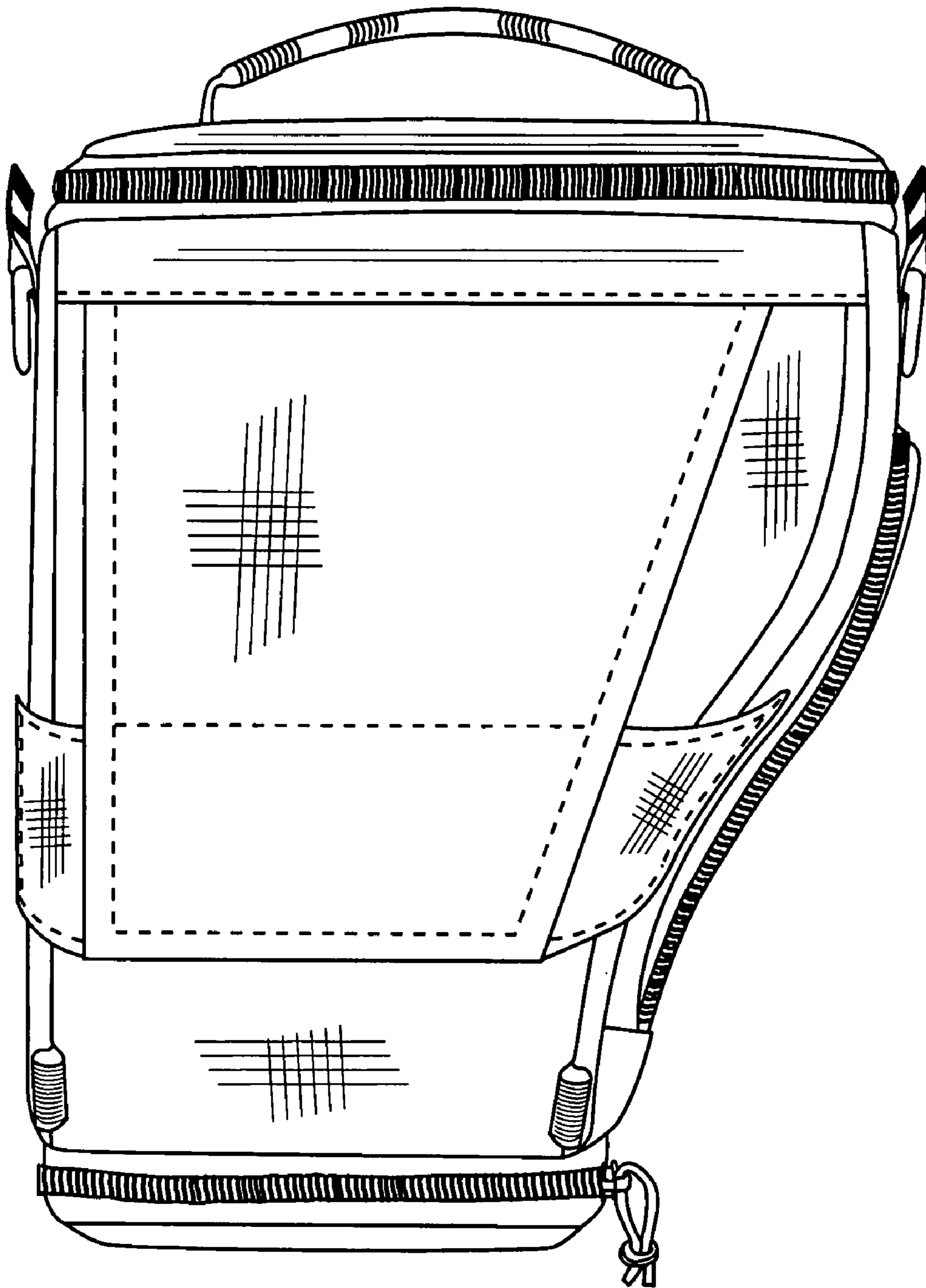




Fig. 17

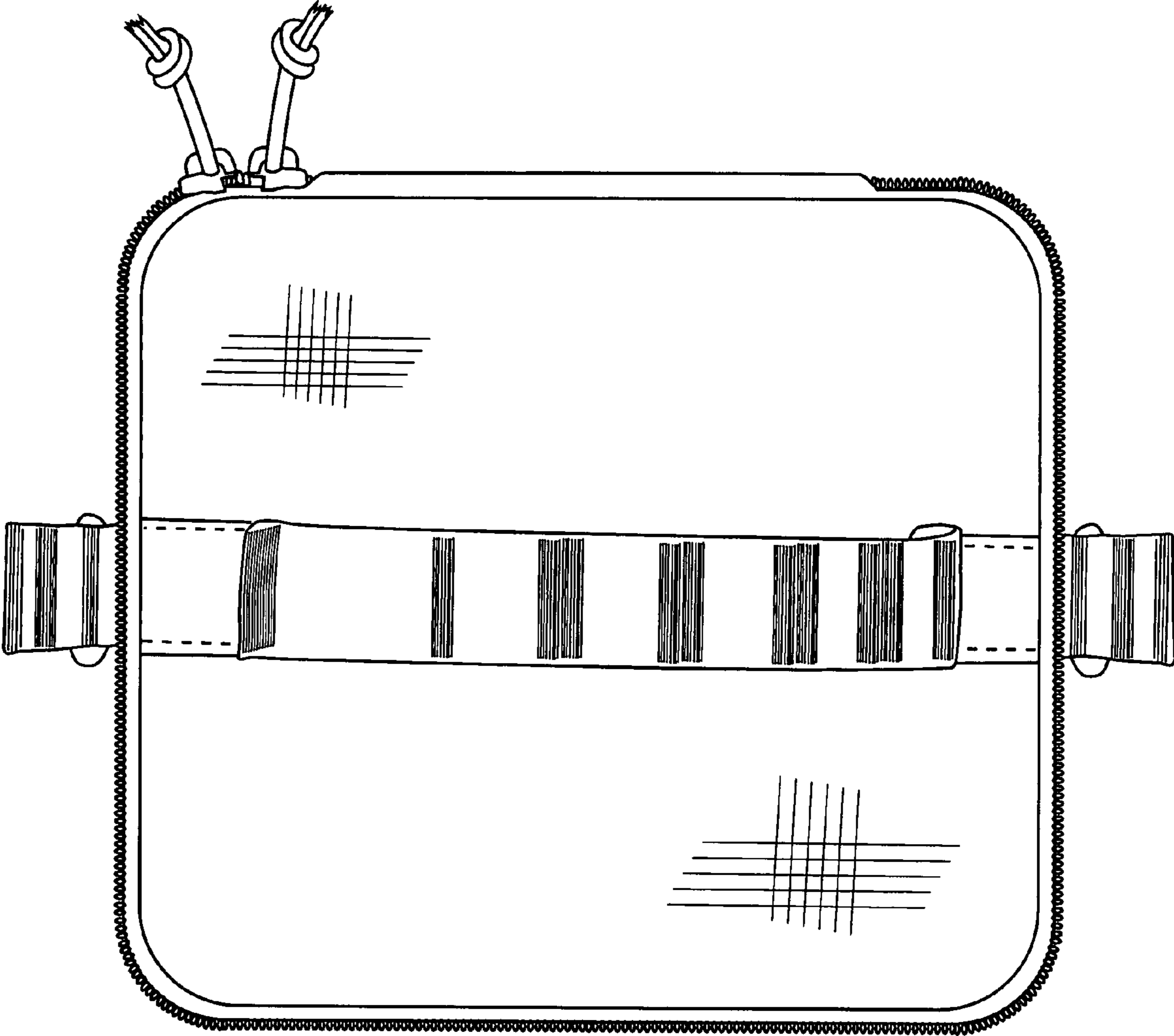


Fig. 18

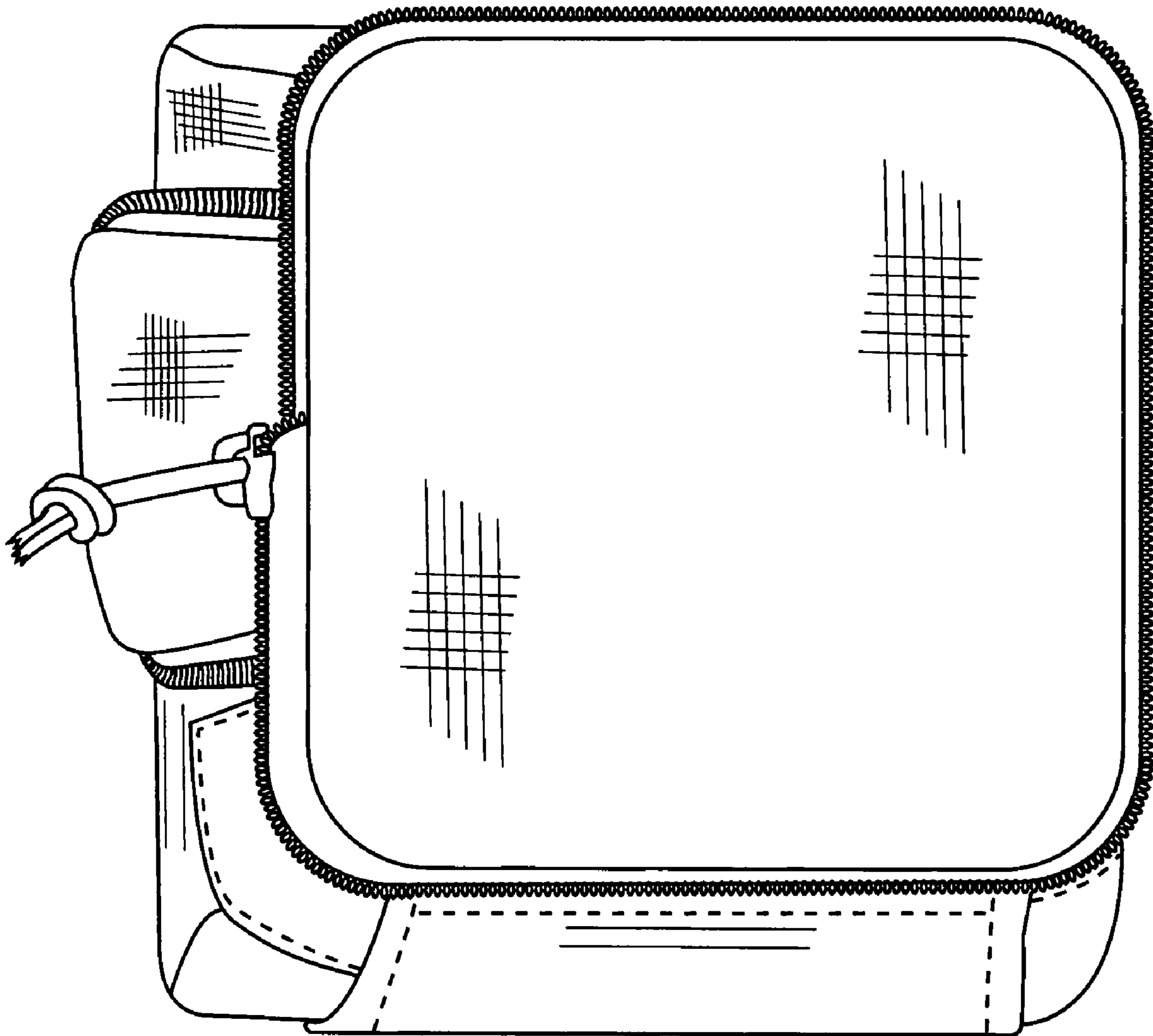


Fig. 19

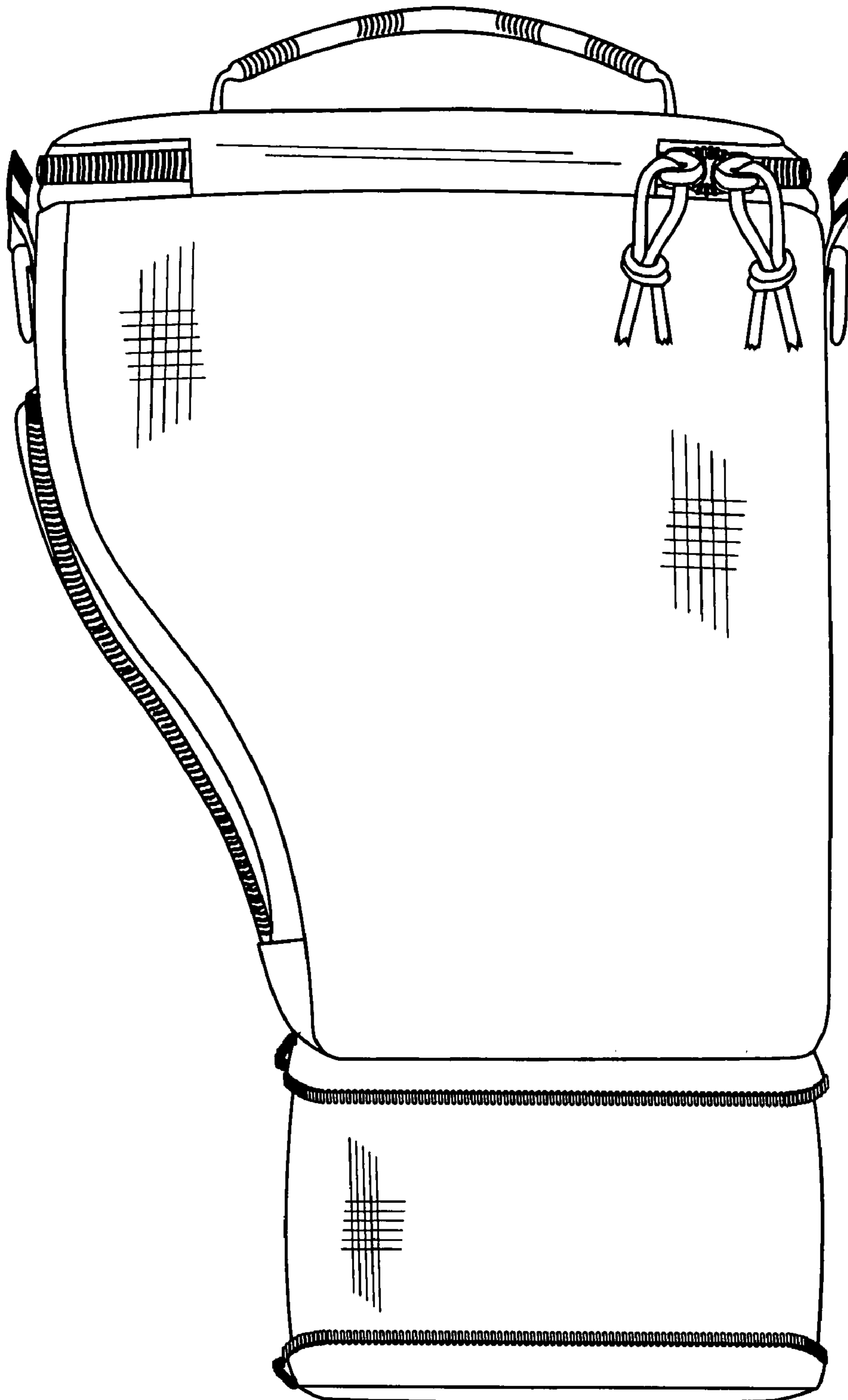


Fig. 20

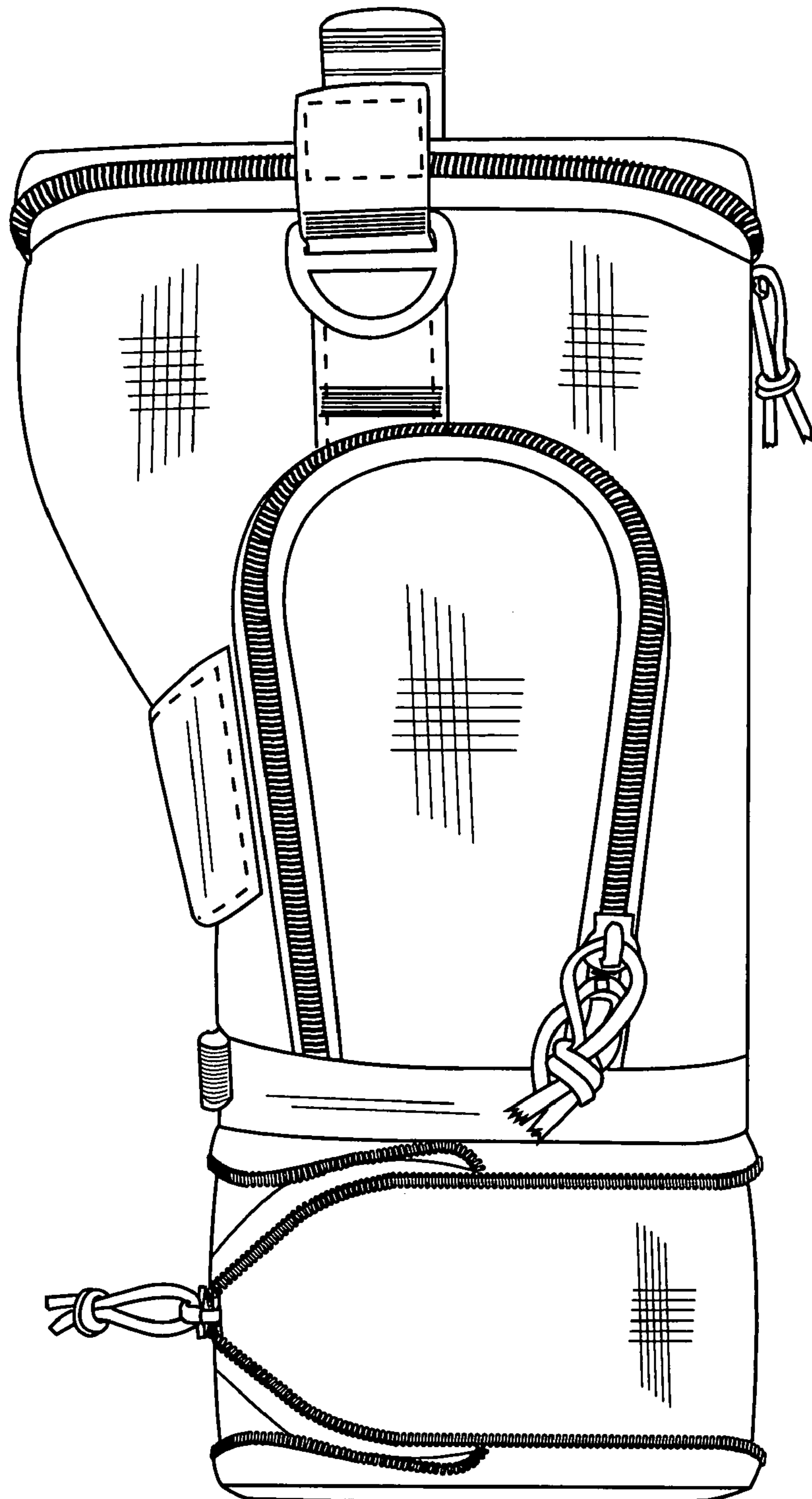


Fig. 21

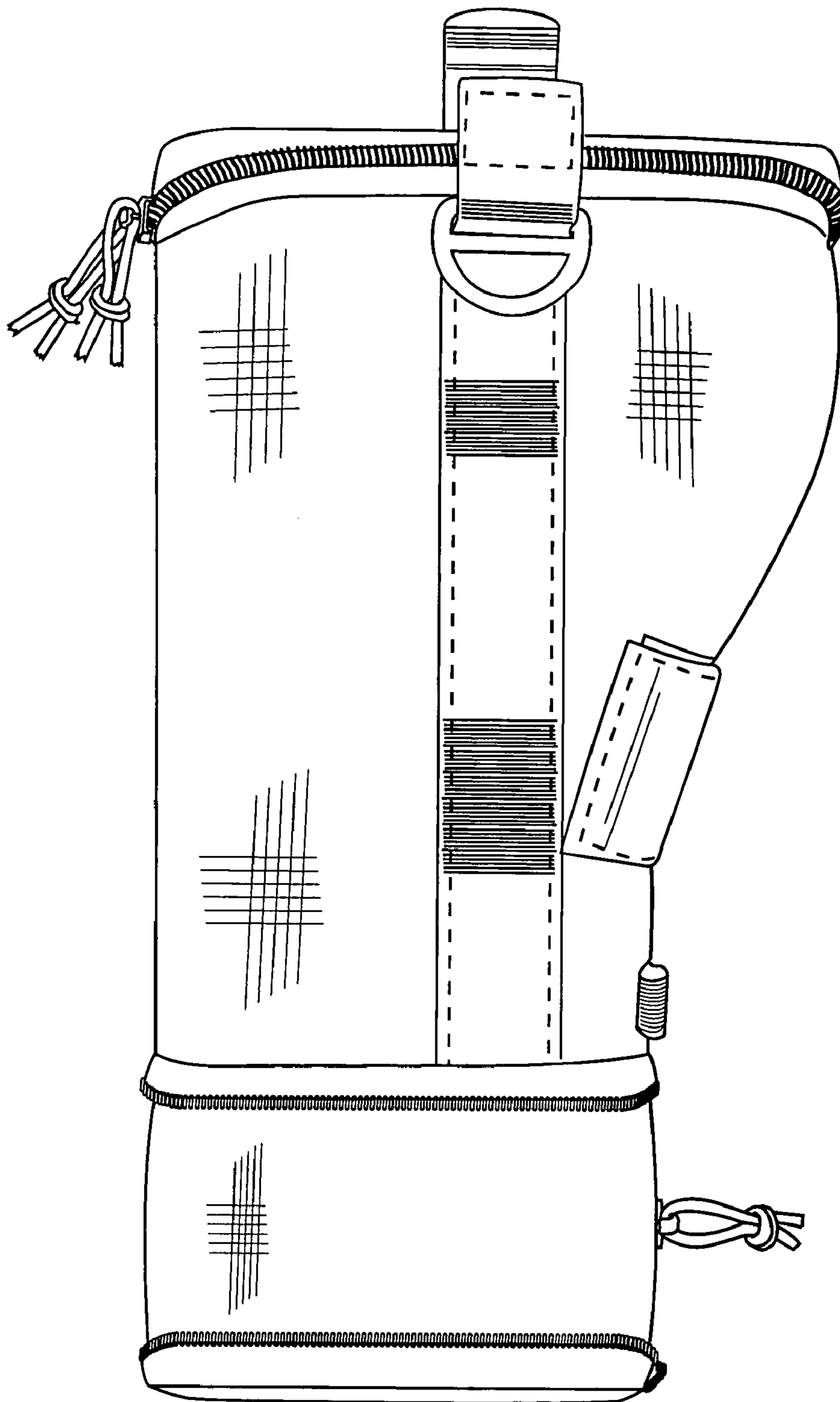




Fig. 22

