



US00D612599S

(12) **United States Design Patent**
Lee

(10) **Patent No.:** **US D612,599 S**
(45) **Date of Patent:** **** Mar. 30, 2010**

(54) **CASSETTE-SHAPED WALLET**

D585,192 S * 1/2009 Golden D3/238

(76) Inventor: **Han Lee**, 6F, No. 1-65, Sec. 4, Sinyi Rd.,
Taipei (TW)

* cited by examiner

Primary Examiner—Holly H Baynham
(74) *Attorney, Agent, or Firm*—Bacon & Thomas, PLLC

(**) Term: **14 Years**

(21) Appl. No.: **29/311,607**

(57) **CLAIM**

(22) Filed: **Apr. 30, 2009**

The ornamental design for a cassette-shaped wallet, as shown and described.

(51) **LOC (9) Cl.** **03-01**

(52) **U.S. Cl.** **D3/248**

(58) **Field of Classification Search** D3/234,
D3/238, 247–252; 150/100, 103–104, 106–110,
150/113–114, 118–119, 130–132; D14/476

DESCRIPTION

See application file for complete search history.

FIG. 1 is a perspective view of a cassette-shaped wallet showing my new design;

FIG. 2 is a front view thereof;

FIG. 3 is a rear view thereof;

FIG. 4 is a left side view thereof;

FIG. 5 is a right side view thereof;

FIG. 6 is top view thereof;

FIG. 7 is a bottom view thereof;

FIG. 8 is another perspective view thereof; and,

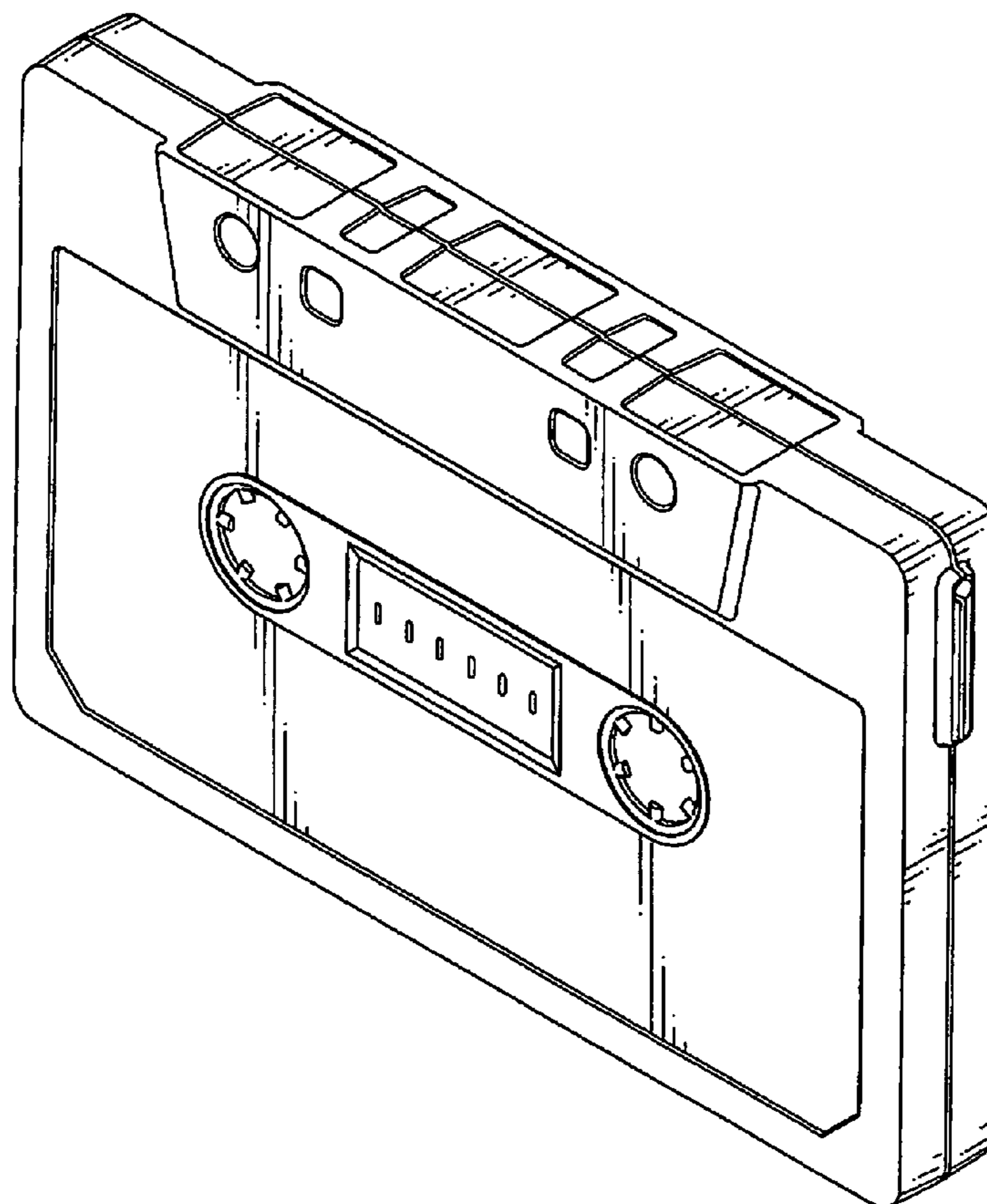
FIG. 9 is an operational perspective view thereof showing that a top opening of a compartment is opened by squeezing two opposite sides of the cassette-shaped wallet.

(56) **References Cited**

U.S. PATENT DOCUMENTS

D271,198 S *	11/1983	Shimizu	D14/476
D334,285 S *	3/1993	Wilson	D3/218
D336,086 S *	6/1993	Ogawa	D14/476
D348,262 S *	6/1994	Schoettle et al.	D14/476
D350,952 S *	9/1994	Katayama	D14/476
D364,156 S *	11/1995	Tanaka et al.	D14/476
D369,794 S *	5/1996	Matsuki	D14/476

1 Claim, 9 Drawing Sheets



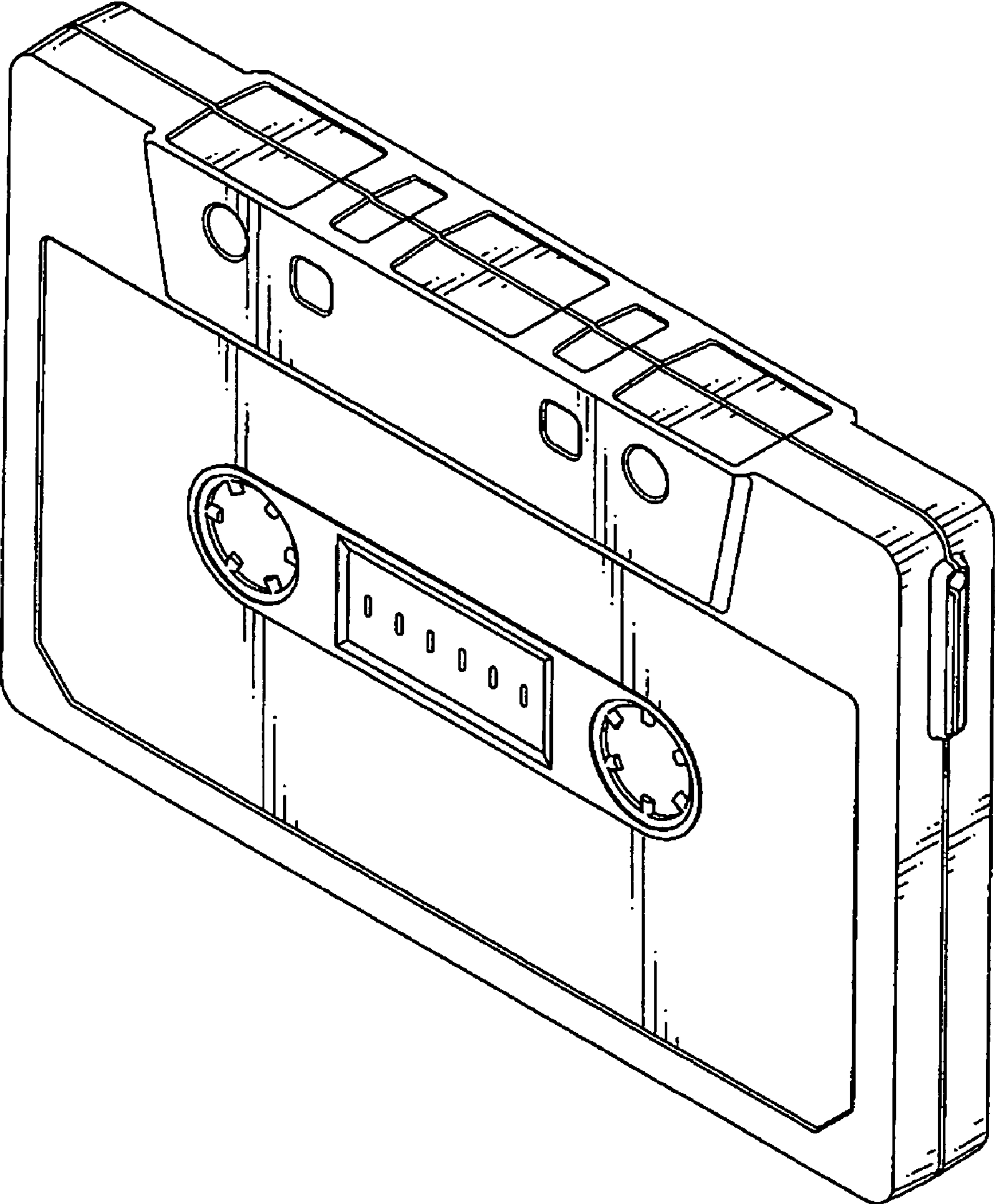


FIG.1

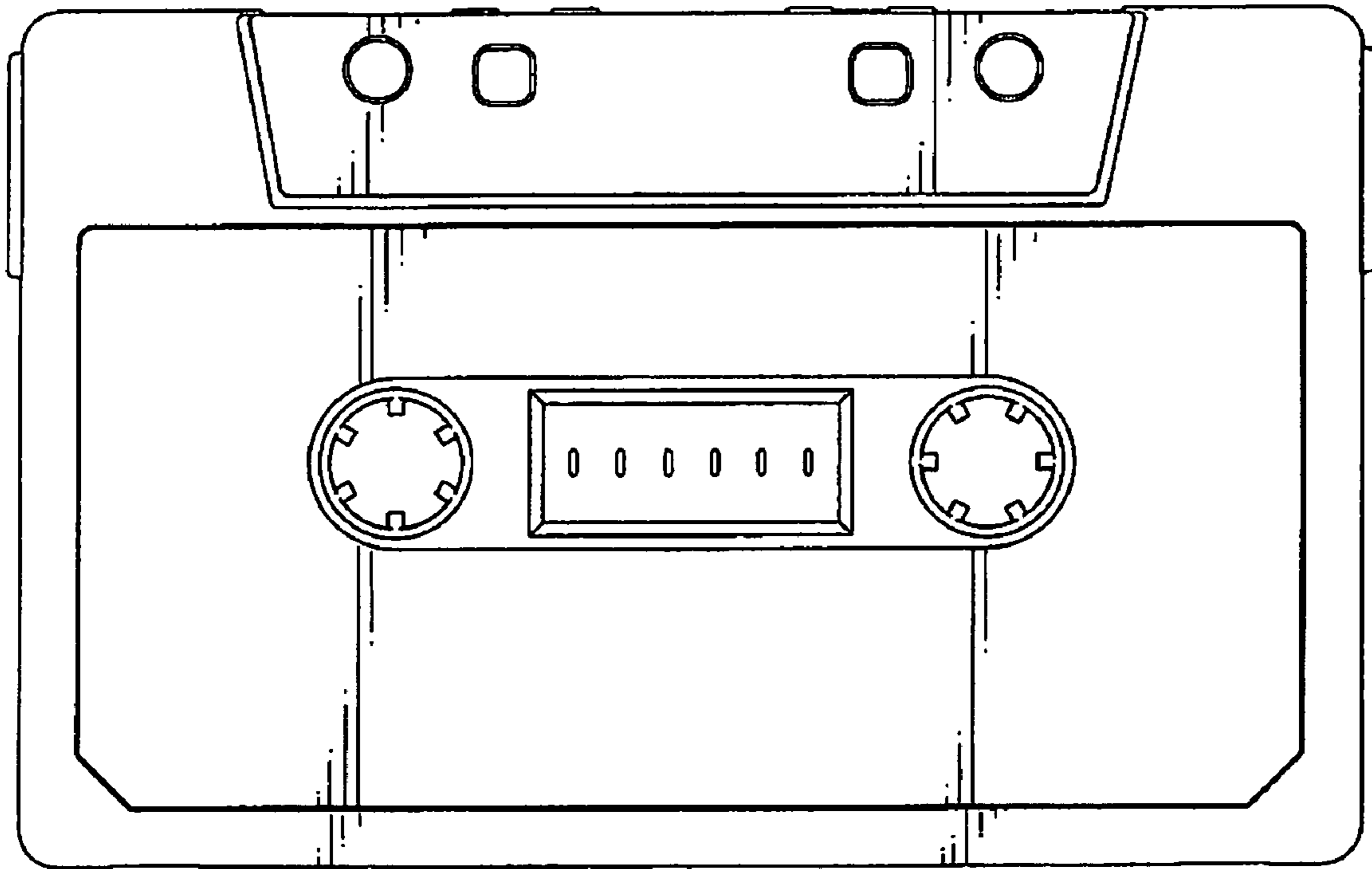


FIG.2

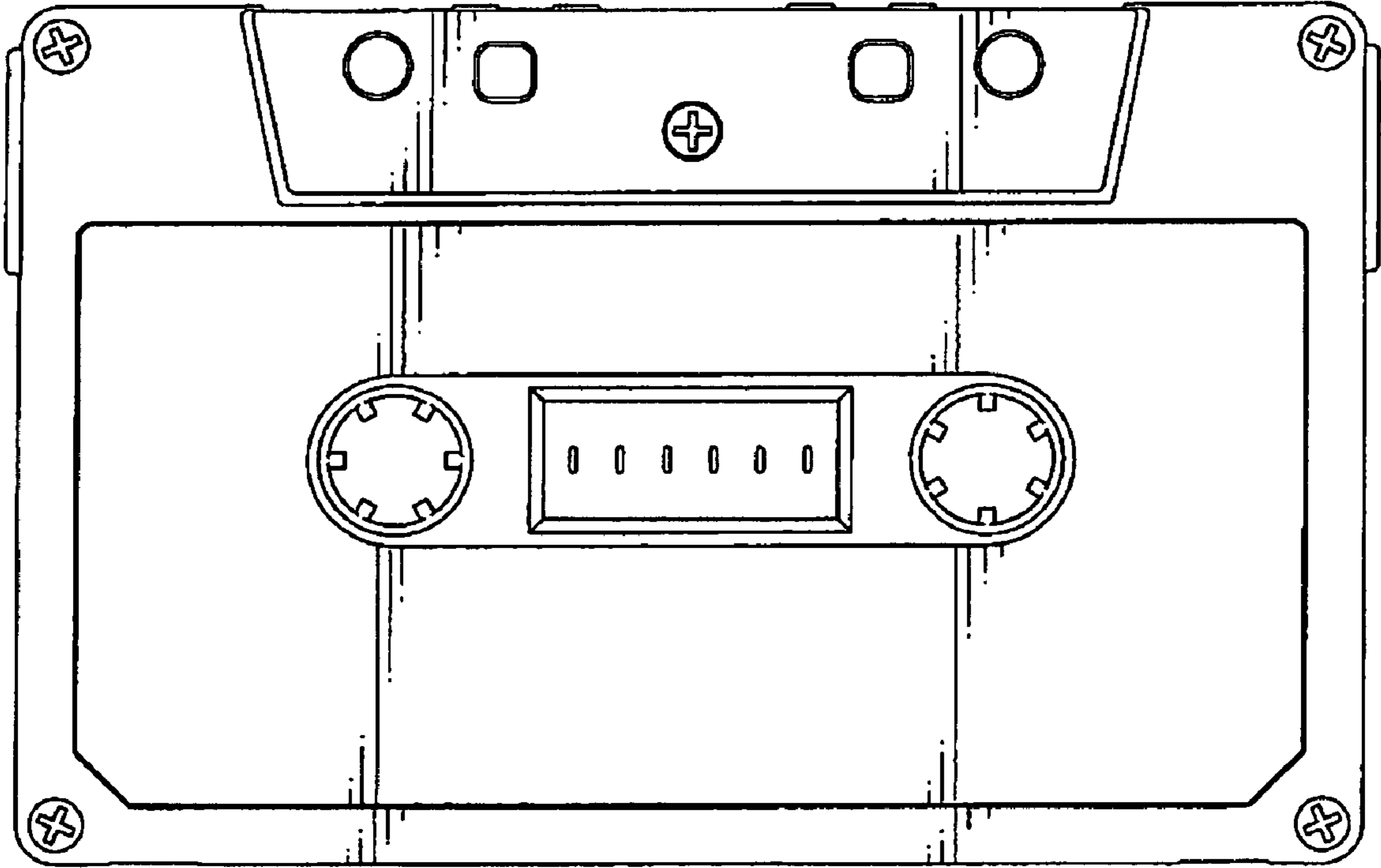


FIG.3

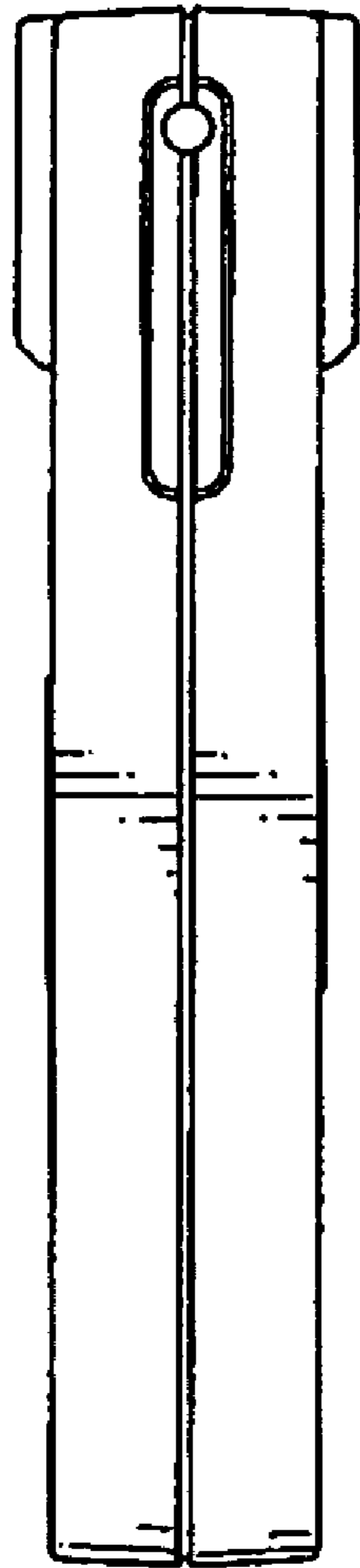


FIG.4

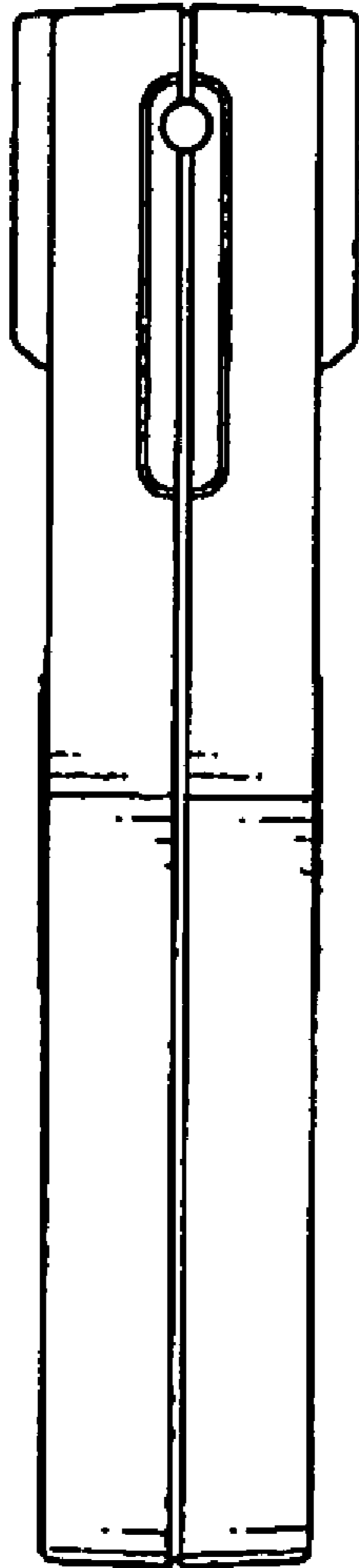


FIG.5

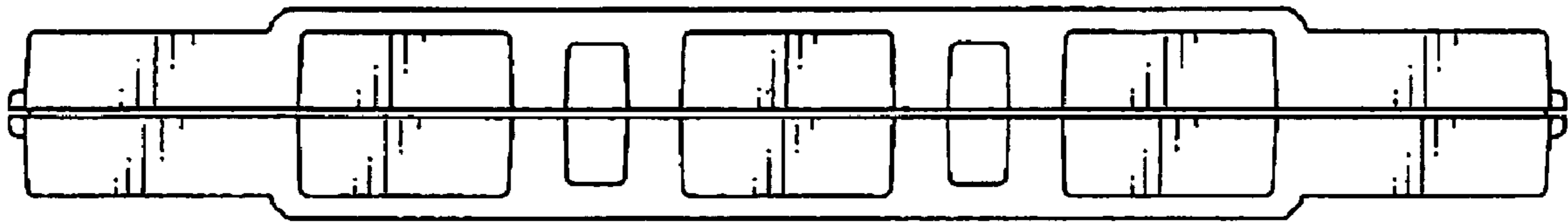


FIG.6

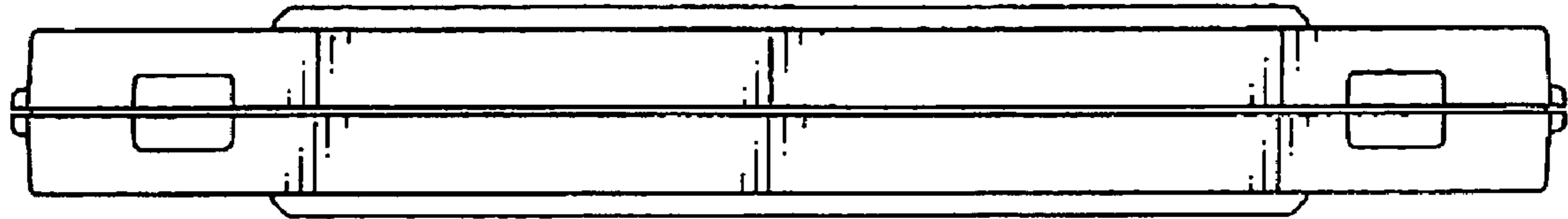


FIG.7

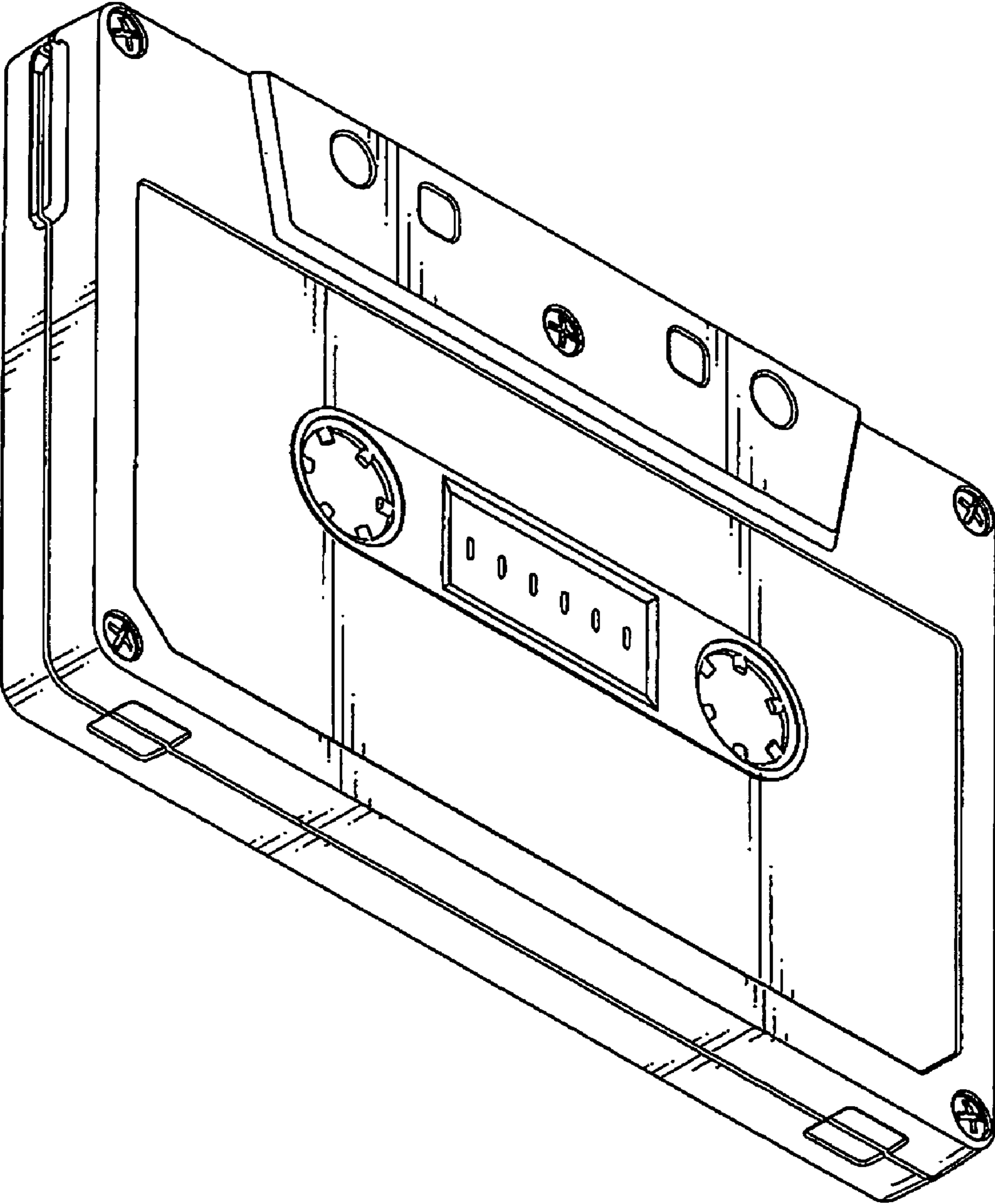


FIG.8

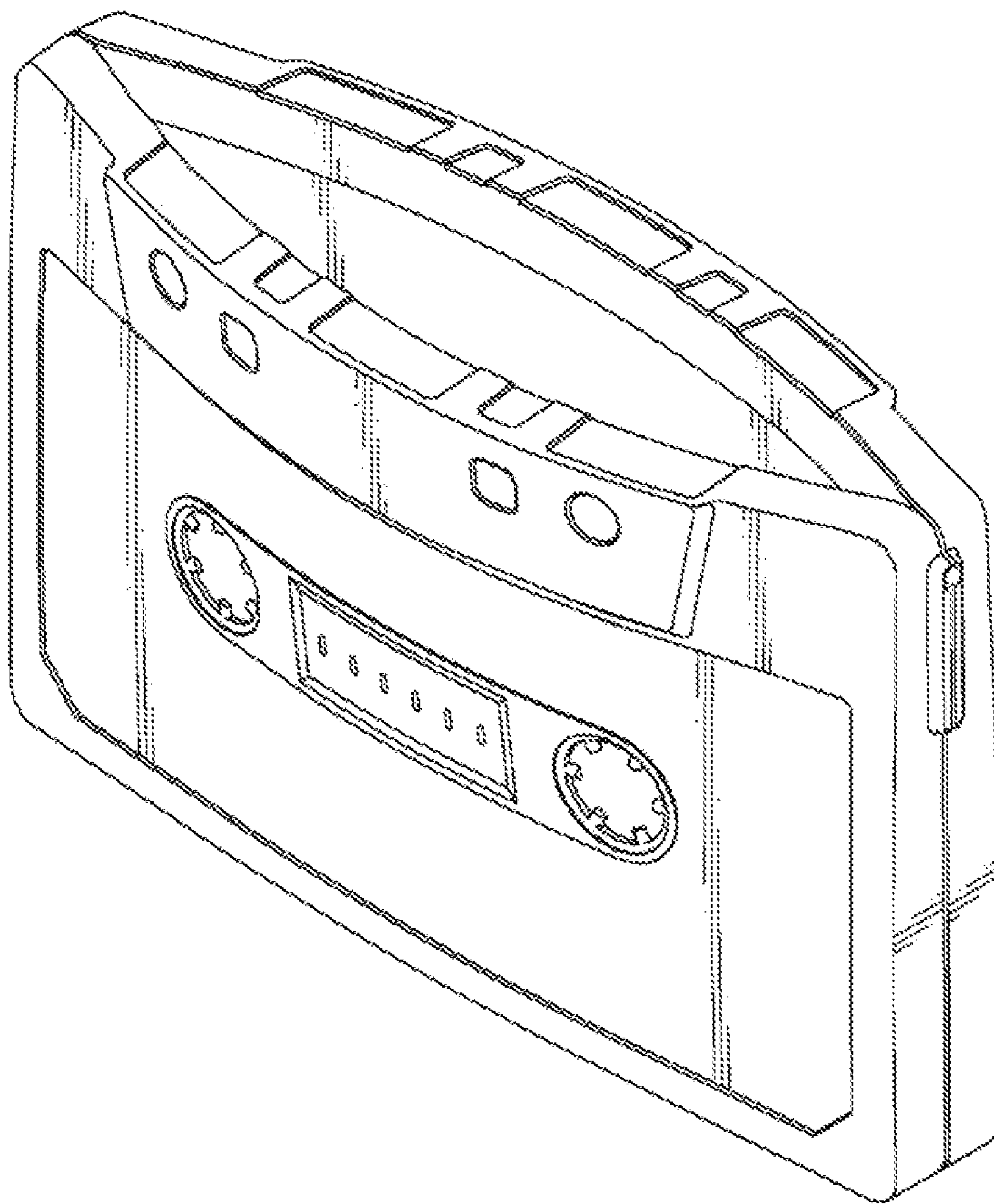


FIG.9