



US00D612588S

(12) **United States Design Patent**  
**Feller et al.**

(10) **Patent No.:** **US D612,588 S**  
(45) **Date of Patent:** **\*\* Mar. 30, 2010**

(54) **BAND FOR A SHOE**

(76) Inventors: **Craig Feller**, 29433 Gray Hawk Dr.,  
Evergreen, CO (US) 80439; **Douglas**  
**Wathen**, 8585 Tallady, Whittaker, MI  
(US) 48190

(\*\*) Term: **14 Years**

(21) Appl. No.: **29/330,491**

(22) Filed: **Jan. 8, 2009**

(51) **LOC (9) Cl.** ..... **02-99**

(52) **U.S. Cl.** ..... **D2/946; D2/974; D2/978**

(58) **Field of Classification Search** ..... D2/896,  
D2/916-918, 925-942, 946, 969, 971, 974;  
36/1, 83, 8.3, 45-58, 11.5, 114  
See application file for complete search history.

(56) **References Cited**

U.S. PATENT DOCUMENTS

- D53,233 S \* 4/1919 Benedetti ..... D2/946
- 1,823,445 A 9/1931 Goldstone
- 2,253,860 A 8/1941 Martin
- D132,630 S 6/1942 Pfeiffer
- 2,343,701 A 3/1944 Pickens
- 2,491,297 A 12/1949 Brown
- 2,495,984 A 1/1950 Roy
- 2,526,940 A 10/1950 Fello
- D161,707 S 1/1951 Peterson
- 2,590,648 A 3/1952 Pitz
- 2,607,133 A 8/1952 Marlowe
- 2,694,438 A 11/1954 Wilhelm
- 2,873,540 A 2/1959 Murphy
- 2,889,639 A 6/1959 Rudine
- 2,957,253 A 10/1960 Metzler
- 3,063,166 A 11/1962 Blavier
- 3,228,124 A 1/1966 Schwartz
- 3,455,037 A 7/1969 Vlas et al.
- 3,672,078 A 6/1972 Fukuoka et al.
- 3,739,501 A 6/1973 Barrett, Jr.
- 3,867,771 A 2/1975 Levine
- 3,983,642 A 10/1976 Liao et al.
- 4,114,295 A 9/1978 Schaefer et al.
- 4,114,296 A 9/1978 Smith

- 4,172,330 A 10/1979 Kao
- 4,193,214 A 3/1980 Wang et al.
- 4,267,649 A 5/1981 Smith
- 4,279,083 A 7/1981 Dilg
- 4,297,798 A 11/1981 Colan
- 4,300,294 A 11/1981 Riecken
- 4,314,412 A 2/1982 Anderson et al.
- 4,343,057 A 8/1982 Bensley et al.
- 4,348,820 A 9/1982 D'Alessio
- 4,363,177 A 12/1982 Boros
- 4,370,818 A 2/1983 Simoglou
- 4,439,935 A 4/1984 Kelly
- 4,450,633 A 5/1984 Connelly et al.
- 4,461,102 A 7/1984 DeVincentis
- 4,497,123 A 2/1985 Ehrlich
- 4,563,787 A 1/1986 Drew et al.
- 4,745,693 A 5/1988 Brown
- 4,766,682 A \* 8/1988 Malloy, III ..... D2/946
- 4,854,056 A 8/1989 Levin
- 4,869,000 A 9/1989 York, Jr.

(Continued)

*Primary Examiner*—Dominic Simone  
(74) *Attorney, Agent, or Firm*—Gifford, Krass, Sprinkle,  
Anderson & Citkowski, P.C.

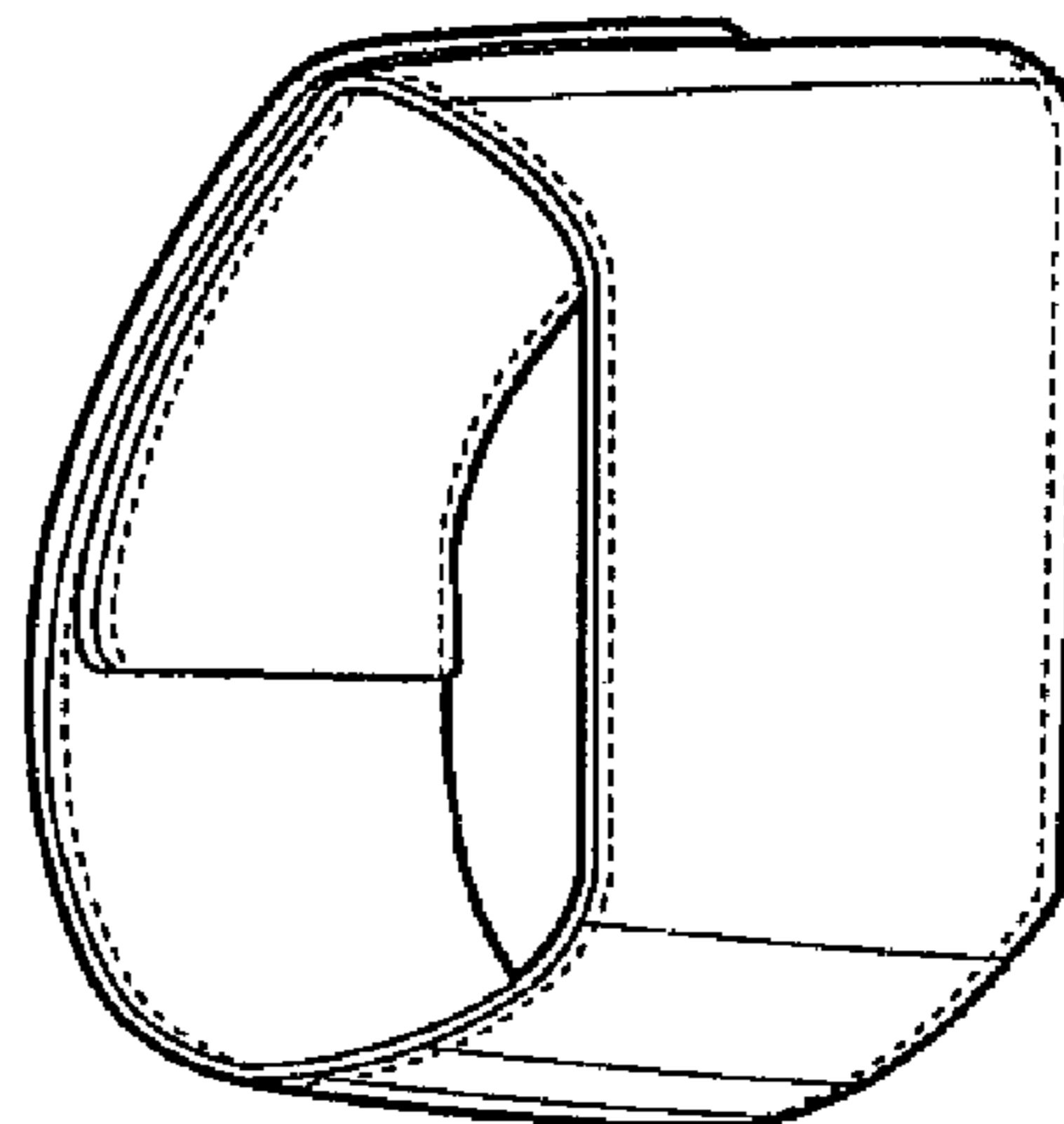
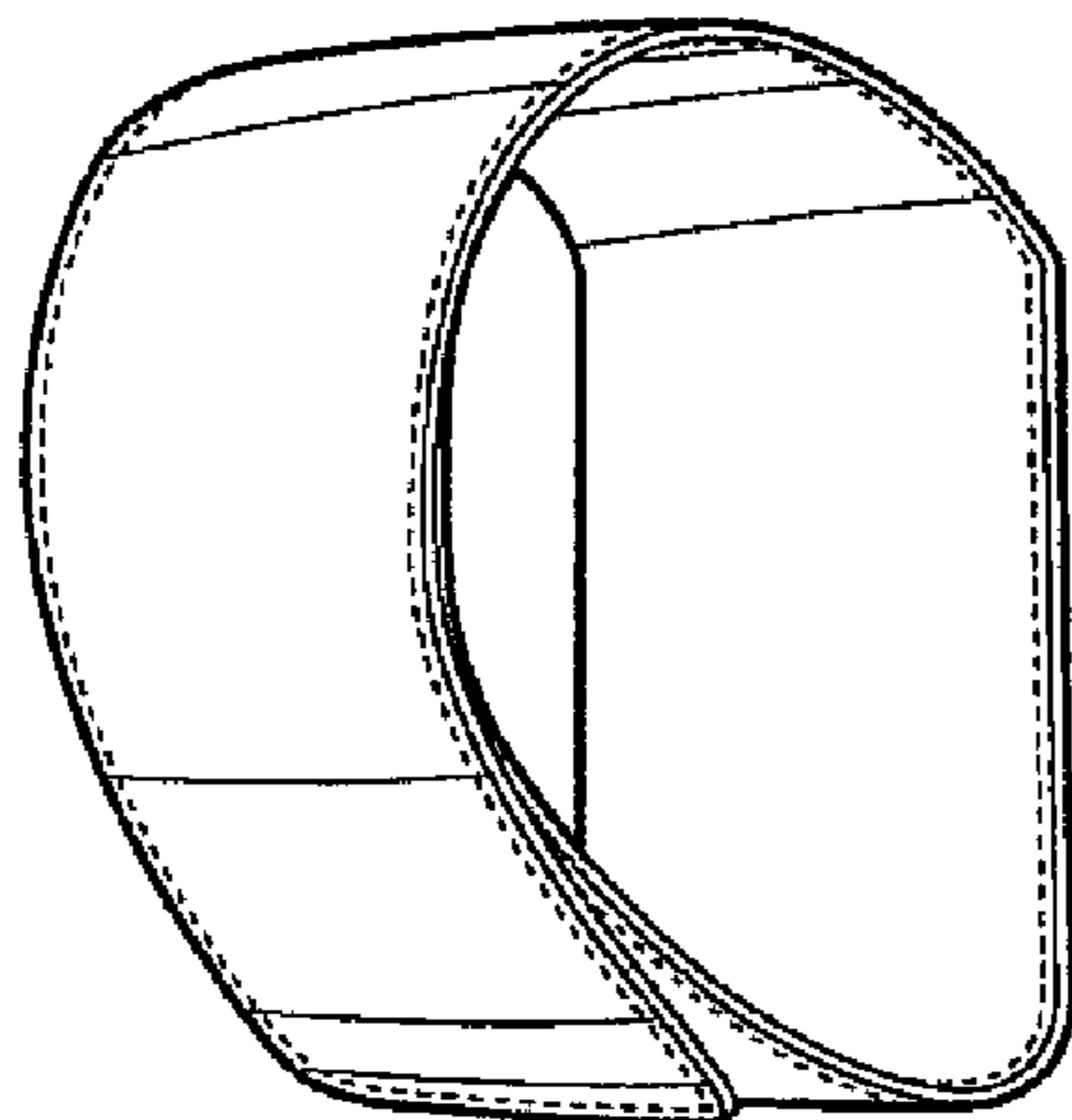
(57) **CLAIM**

The ornamental design for band for a shoe, as shown and described.

**DESCRIPTION**

FIG. 1 is a top perspective view of a band for a shoe showing our new design;  
FIG. 2 is a side perspective view thereof;  
FIG. 3 is a bottom perspective view thereof;  
FIG. 4 is a front perspective view thereof; and,  
FIG. 5 is a rear perspective view thereof.

**1 Claim, 2 Drawing Sheets**



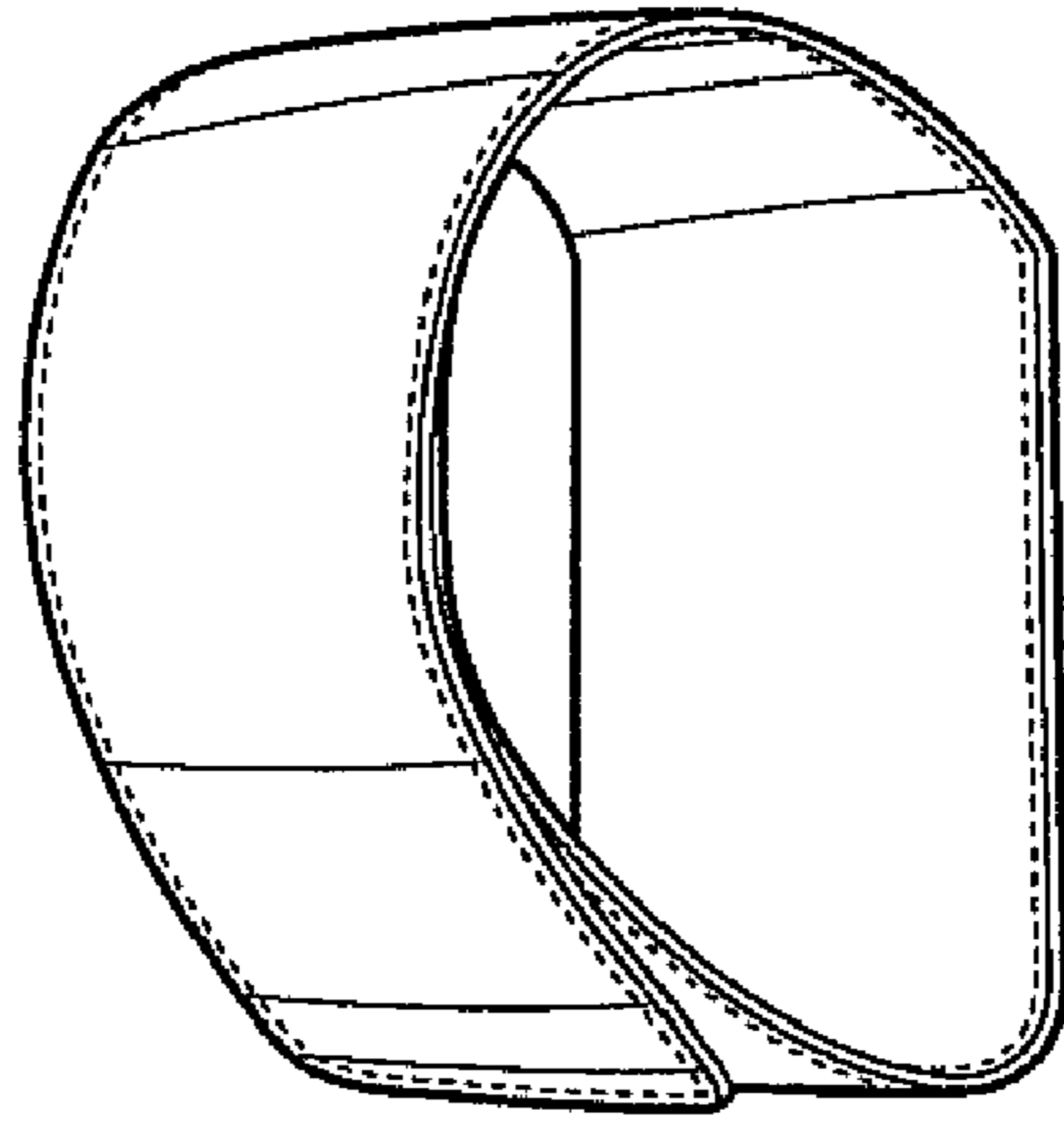
# US D612,588 S

Page 2

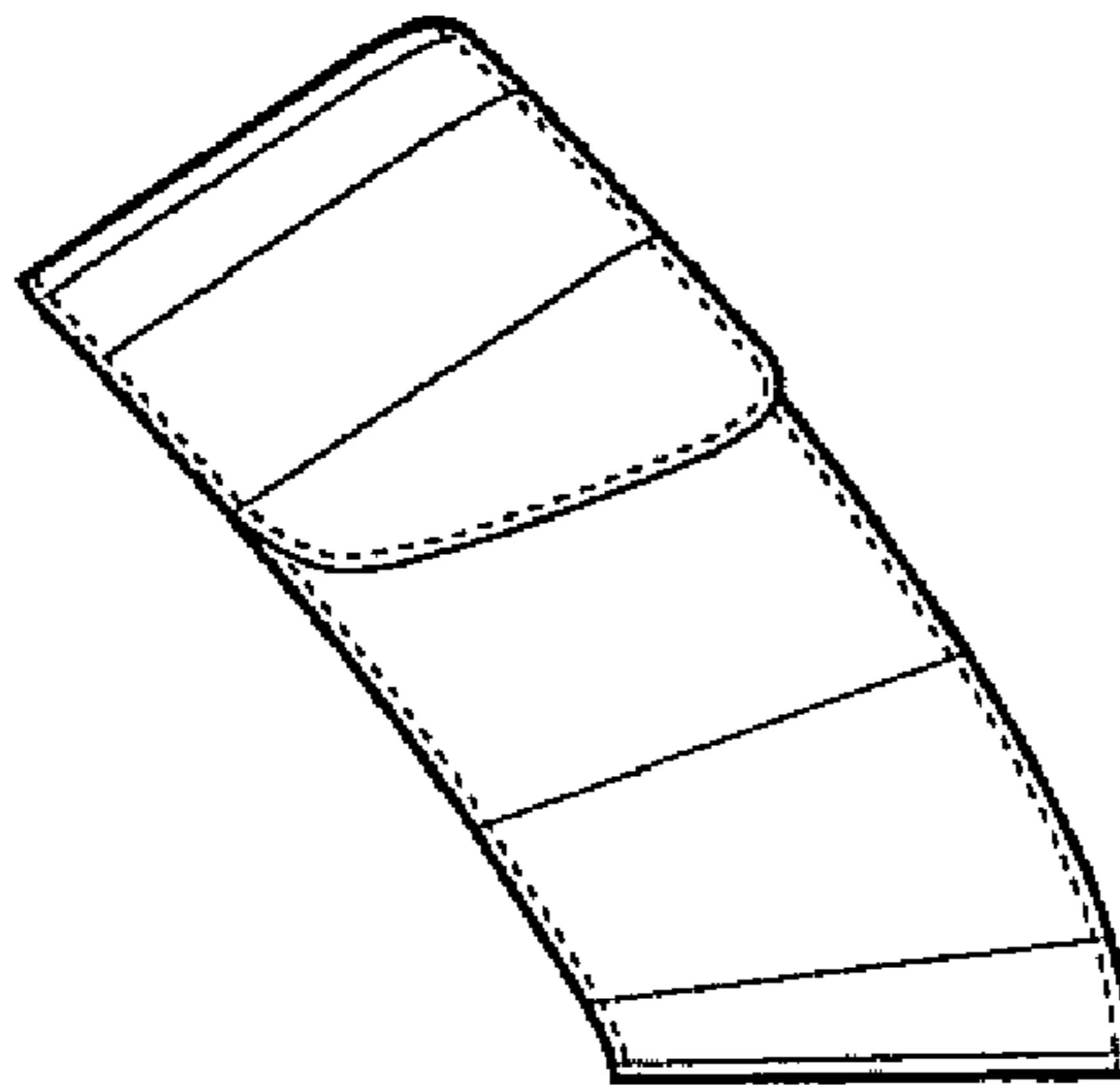
## U.S. PATENT DOCUMENTS

4,887,369	A	12/1989	Bailey et al.	D467,407	S	*	12/2002	Berg et al.	.....	D2/926
4,896,440	A	1/1990	Salaverria	D467,709	S	*	12/2002	Berg et al.	.....	D2/946
4,967,750	A	11/1990	Cherniak et al.	D470,304	S		2/2003	Berg et al.		
5,052,131	A	10/1991	Rondini	D471,346	S		3/2003	Bray, Jr. et al.		
5,065,531	A	11/1991	Prestridge	D482,514	S	*	11/2003	Whittington	.....	D2/946
D328,517	S	* 8/1992	Hallenbeck	D485,050	S		1/2004	Lin		
D330,451	S	* 10/1992	Hatfield	D485,970	S		2/2004	Magro et al.		
5,381,610	A	1/1995	Hanson	D485,971	S		2/2004	Magro et al.		
5,400,529	A	* 3/1995	Bell et al.	D492,474	S		7/2004	Branstrom		
5,410,821	A	5/1995	Hilgendorf	D495,124	S		8/2004	Wakatake		
5,423,134	A	6/1995	Bagnaia et al.	6,792,696	B2		9/2004	Berg et al.		
5,459,948	A	10/1995	Aveni	D497,243	S		10/2004	McClaskie		
5,477,625	A	12/1995	Goldsmith et al.	D499,236	S		12/2004	Magro et al.		
D365,923	S	* 1/1996	Crowley	D514,778	S		2/2006	Berg et al.		
5,483,757	A	1/1996	Frykberg	D514,780	S		2/2006	Berg et al.		
D374,335	S	10/1996	Grimes	D518,947	S		4/2006	Choi et al.		
5,611,156	A	3/1997	Chiu	7,028,420	B2		4/2006	Tonkel		
D385,102	S	* 10/1997	Avar	D521,214	S		5/2006	Choi et al.		
D385,999	S	11/1997	Tong	D528,747	S		9/2006	Issler		
5,692,322	A	12/1997	Lombardino	7,117,615	B2		10/2006	Gerber		
5,778,565	A	7/1998	Holt et al.	D535,085	S		1/2007	Berg et al.		
5,802,738	A	9/1998	Ferniani et al.	D535,464	S		1/2007	Belley et al.		
5,836,090	A	11/1998	Smith	7,162,814	B2		1/2007	Berg et al.		
5,848,484	A	12/1998	Dupree et al.	7,174,657	B2		2/2007	Berg et al.		
5,852,885	A	12/1998	Ferniani et al.	D542,514	S		5/2007	Amado et al.		
D403,493	S	1/1999	McKinley	D543,345	S		5/2007	Andersen et al.		
5,896,684	A	4/1999	Lin et al.	D545,034	S		6/2007	Amado et al.		
5,946,823	A	9/1999	Yates	D552,343	S		10/2007	Brandenburg		
D421,828	S	3/2000	Malka	D554,330	S		11/2007	White		
6,035,554	A	3/2000	Duncan	D558,435	S		1/2008	Masoodifar		
6,128,834	A	10/2000	Vecchiola et al.	D558,958	S		1/2008	Motomura et al.		
D441,942	S	5/2001	Kelchak	7,328,527	B2		2/2008	Goldman		
6,282,818	B1	9/2001	Lu et al.	D564,734	S		3/2008	Kronpasick et al.		
D454,425	S	3/2002	Boncutter	D575,051	S		8/2008	Bartee		
				D577,882	S		10/2008	Little		

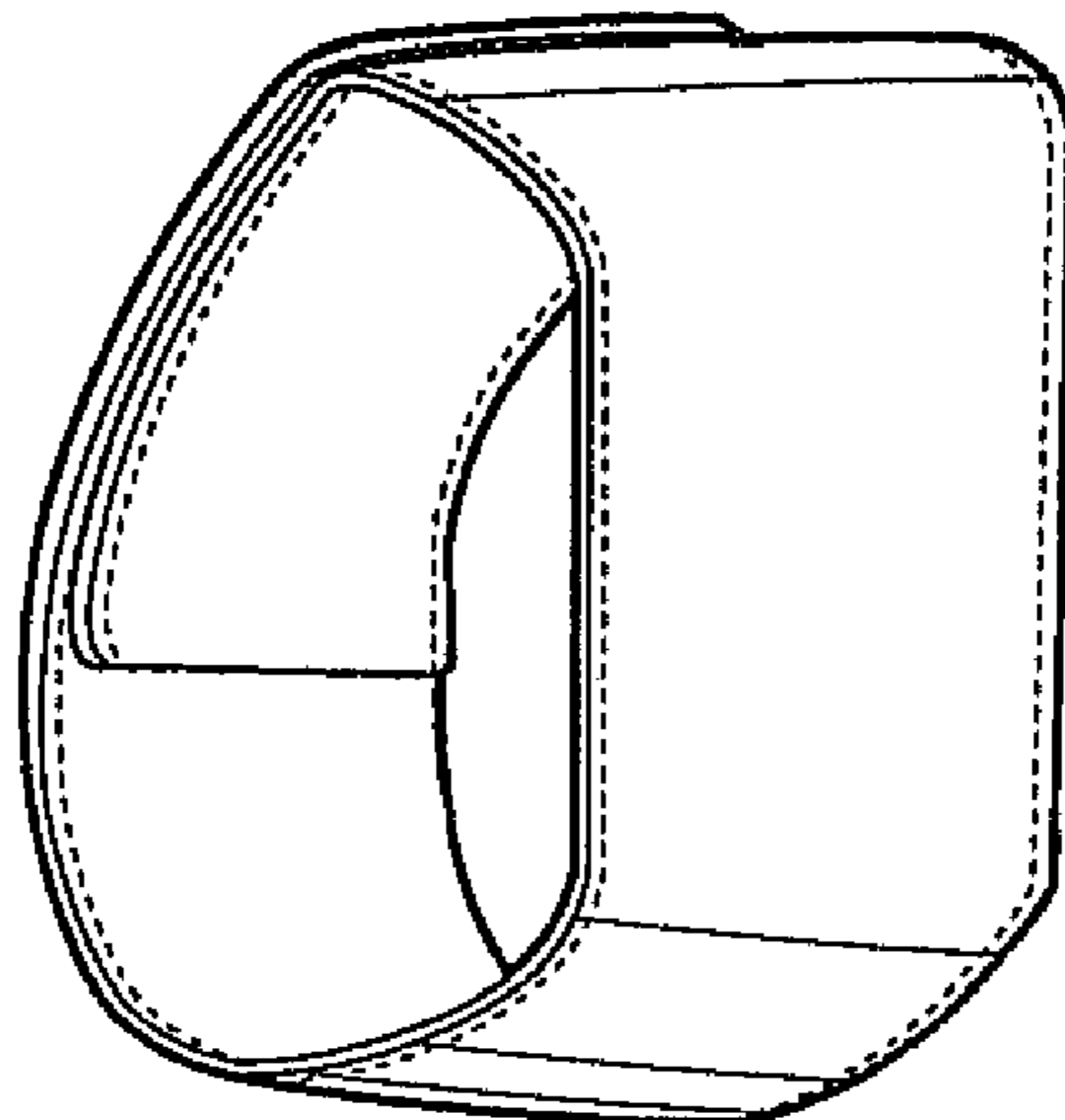
\* cited by examiner



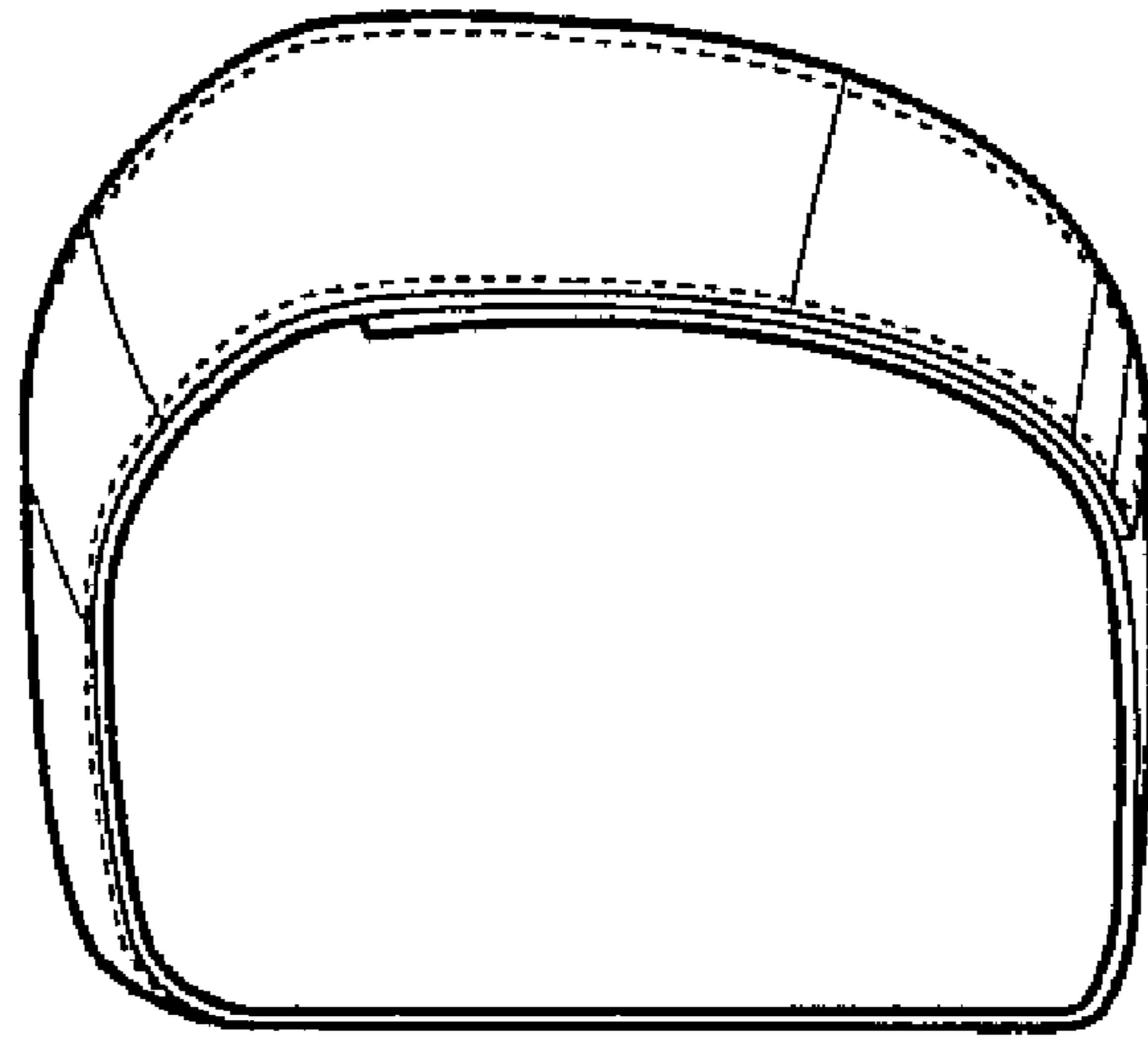
**FIG. 1**



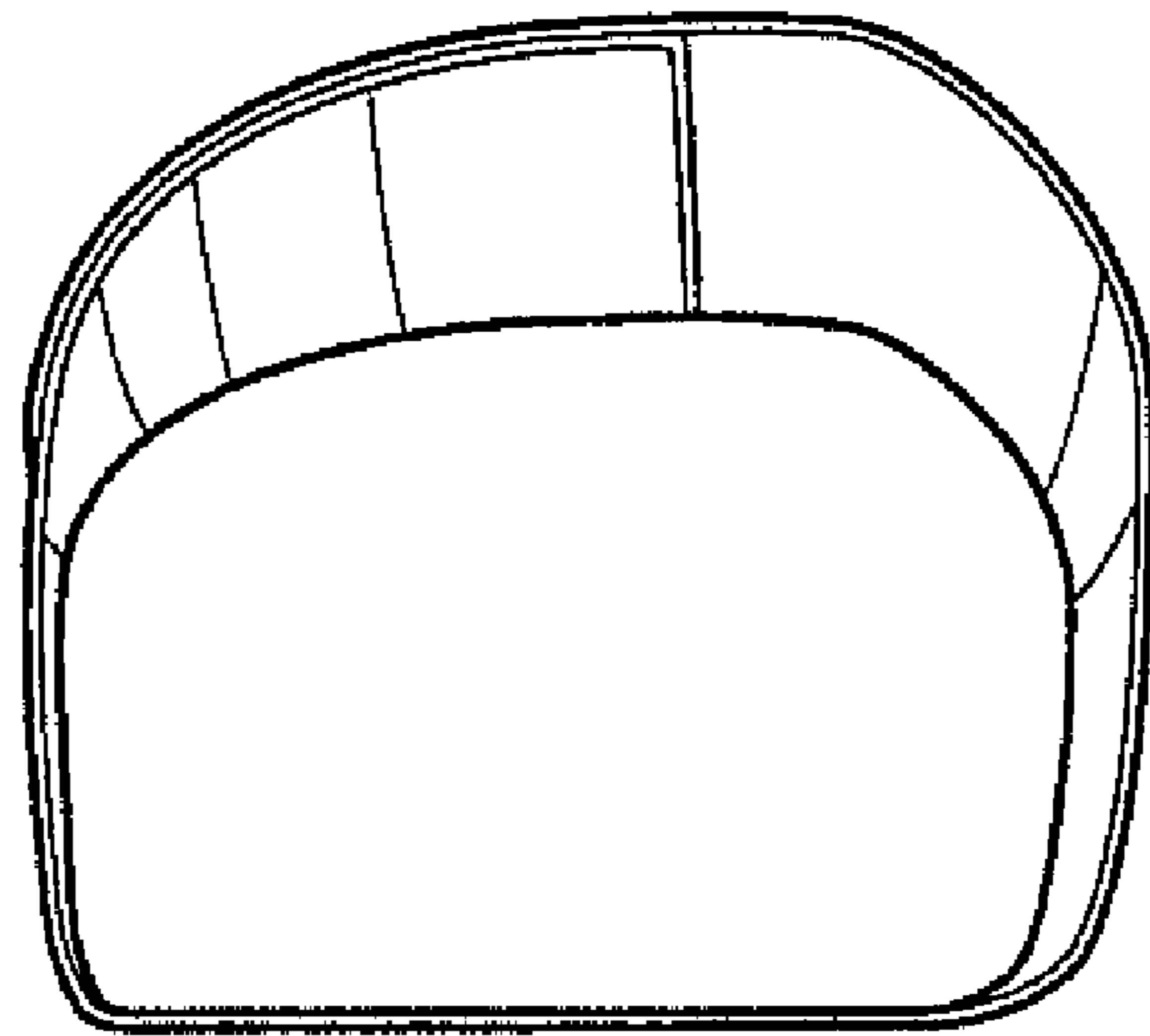
**FIG. 2**



**FIG. 3**



**FIG. 4**



**FIG. 5**