



US00D612585S

(12) **United States Design Patent**
Riemer

(10) **Patent No.:** **US D612,585 S**
(45) **Date of Patent:** **** Mar. 30, 2010**

(54) **COMBINED HOOD AND SCARF**

(76) Inventor: **Gali Riemer**, 52 Burla Street, Tel Aviv
69364 (IL)

(**) Term: **14 Years**

(21) Appl. No.: **29/287,211**

(22) Filed: **Jul. 10, 2007**

(30) **Foreign Application Priority Data**

Jan. 18, 2007 (IL) 43647

(51) **LOC (9) Cl.** **02-03**

(52) **U.S. Cl.** **D2/866; D2/825**

(58) **Field of Classification Search** D2/865,
D2/866, 874, 877, 881, 825, 831, 845; 2/84,
2/91, 128, 129, 131, 202, 203, 204, 209.13,
2/93, 98, 100

See application file for complete search history.

(56) **References Cited**

U.S. PATENT DOCUMENTS

D26,753	S	*	3/1897	Sampson	D2/831
1,529,981	A	*	3/1925	Biton	2/1
1,585,426	A	*	5/1926	Simpson	2/93
1,952,465	A	*	3/1934	Rycroft	2/69.5
D96,673	S	*	8/1935	Huston	D2/825
D107,184	S	*	11/1937	Buffett	D2/845
D109,689	S	*	5/1938	Atwood et al.	D2/825
D121,044	S	*	6/1940	Berkman	D2/831
D122,639	S	*	9/1940	Weinstein	D2/880
D135,632	S	*	5/1943	Renke	D2/825
3,261,068	A	*	7/1966	Gurney	24/695
3,698,014	A	*	10/1972	Little	2/84
D304,257	S	*	10/1989	Dorning	D2/854
4,975,982	A	*	12/1990	Hughes	2/49.1
5,339,466	A	*	8/1994	McMullen	2/203
D381,792	S	*	8/1997	Haddad	D2/878
5,664,258	A	*	9/1997	Harris	2/84

D388,239	S	*	12/1997	Li et al.	D2/878
D406,936	S	*	3/1999	Sivret et al.	D2/881
5,960,478	A	*	10/1999	Sivret et al.	2/202
6,088,838	A	*	7/2000	Sontag	2/202
6,345,395	B1	*	2/2002	Chilton	2/183
D454,677	S	*	3/2002	Peters	D2/825
6,353,933	B1	*	3/2002	Love	2/88
6,374,418	B1	*	4/2002	Rindle	2/202
6,425,138	B1	*	7/2002	Johnson	2/202
6,532,596	B1	*	3/2003	Fosmo	2/49.1
6,742,191	B2	*	6/2004	Yang	2/417
D512,204	S	*	12/2005	Thomas et al.	D2/831
D540,891	S	*	4/2007	Hyman	D21/605
D551,429	S	*	9/2007	Wager	D2/831
D555,330	S	*	11/2007	Cass et al.	D2/866
D568,581	S	*	5/2008	Wager	D2/828
D570,577	S	*	6/2008	Keppler	D2/750
2005/0039242	A1	*	2/2005	Edmondson	2/207
2006/0143796	A1	*	7/2006	Bugarin	2/202
2007/0118960	A1	*	5/2007	Goodwin	2/84

* cited by examiner

Primary Examiner—Elizabeth A Albert

Assistant Examiner—Karen E Eldridge Powers

(74) *Attorney, Agent, or Firm*—IP-Partnership

(57) **CLAIM**

The ornamental design for a combined hood and scarf, substantially as shown and described.

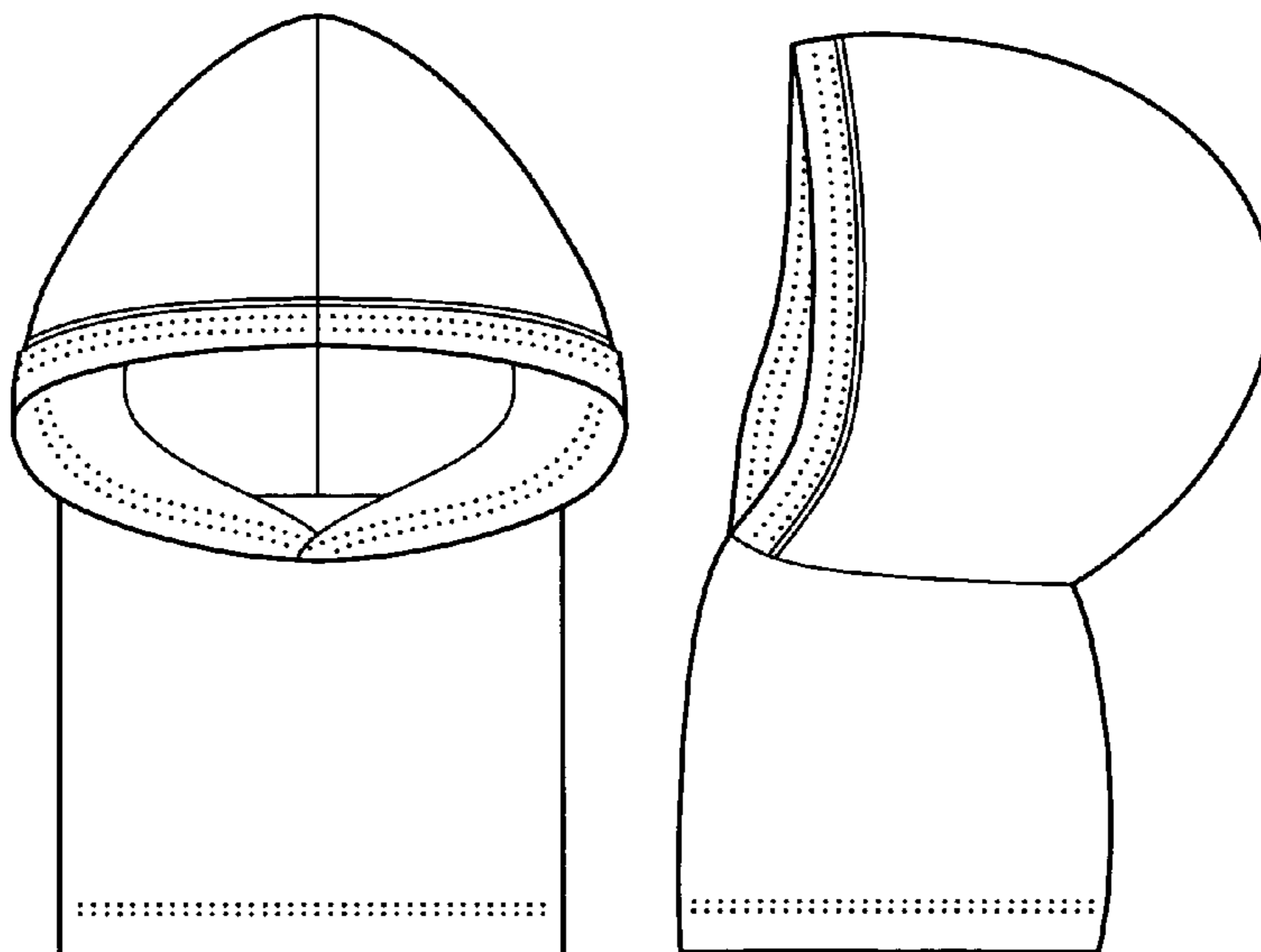
DESCRIPTION

FIG. 1 is a front elevational view of an embodiment of a combined hood and scarf;

FIG. 2 is a back view of the embodiment shown in FIG. 1; and, FIG. 3 is a side elevational view of the embodiment shown in FIG. 1.

The combined hood and scarf forms a single piece garment. The broken lines shown in FIGS. 1–3 represent stitching.

1 Claim, 1 Drawing Sheet



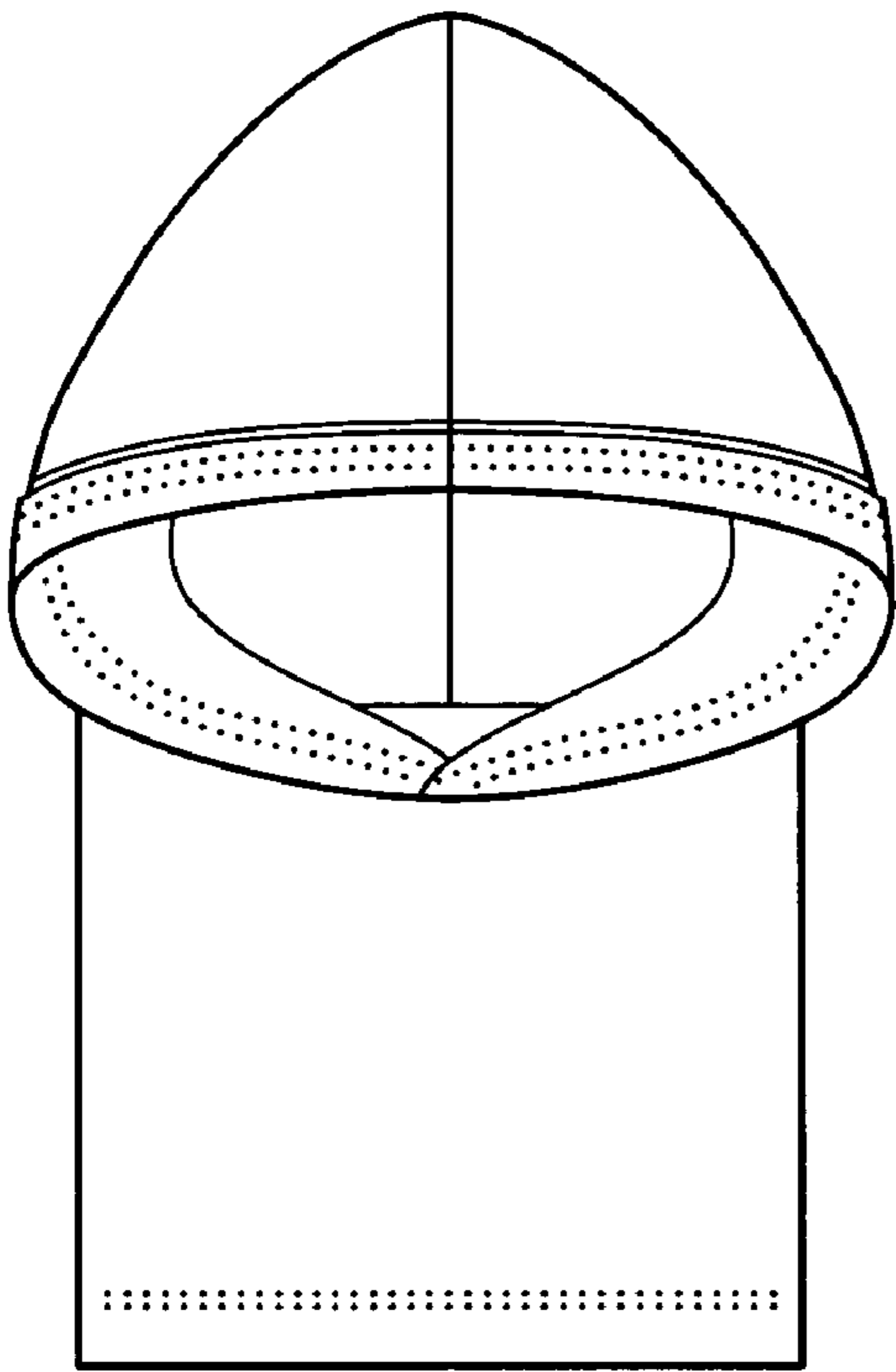


FIG. 1

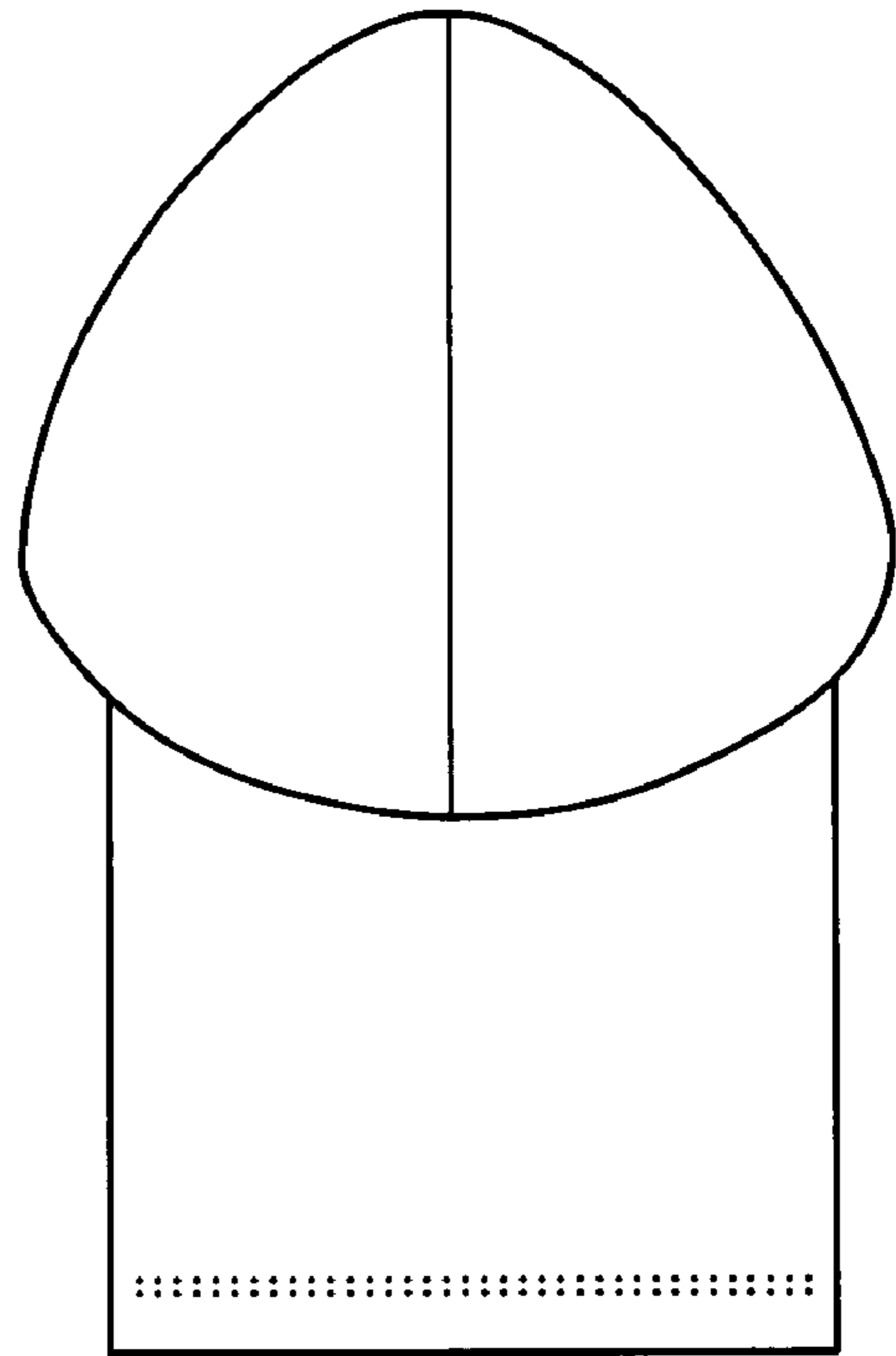


FIG. 2

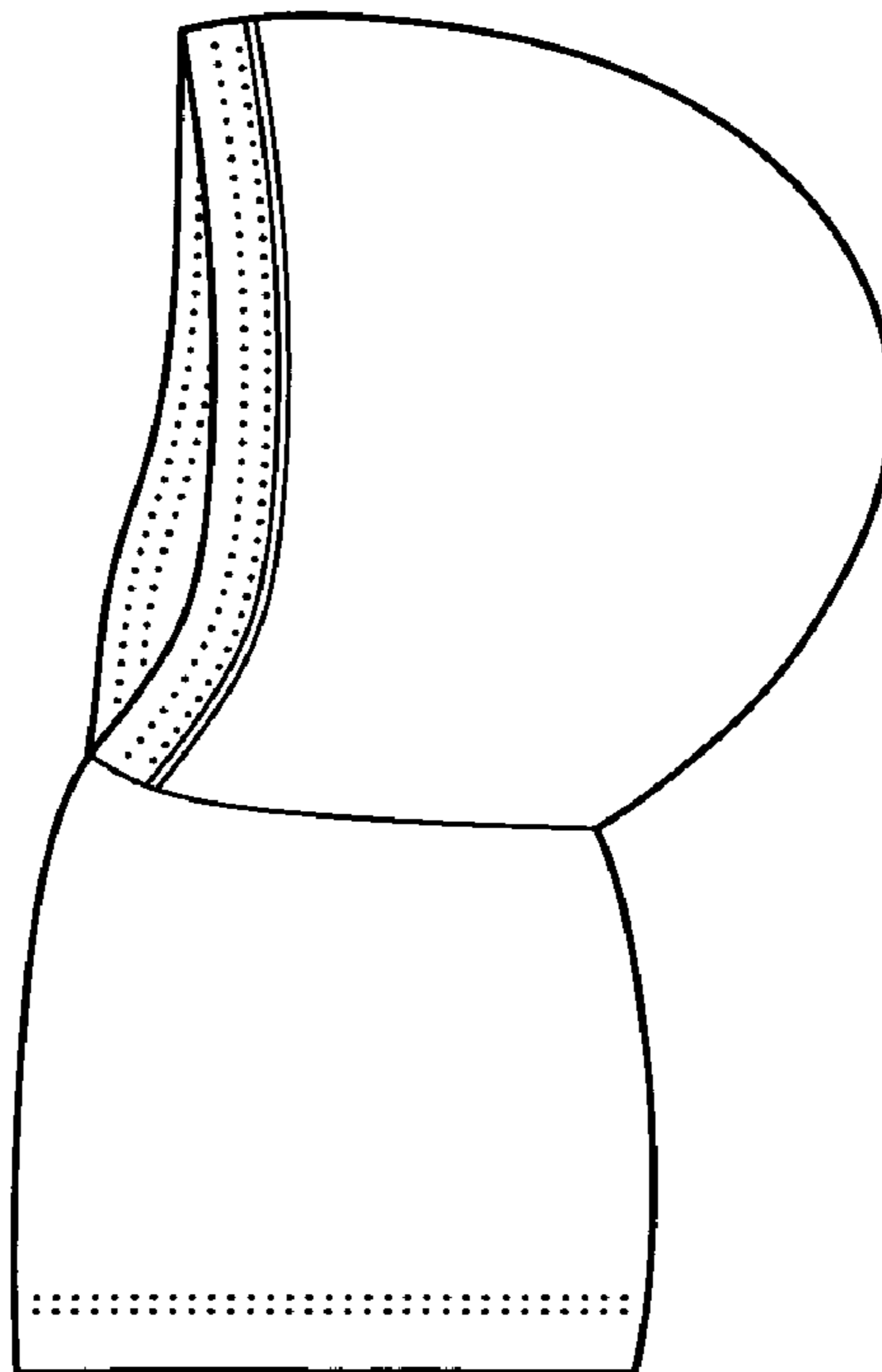


FIG. 3