



US00D612575S

(12) **United States Design Patent**  
**Baker**

(10) **Patent No.:** **US D612,575 S**  
(45) **Date of Patent:** **\*\* Mar. 23, 2010**

(54) **CLUSTER BOX INDICATOR**

(76) Inventor: **Nathaniel Gerald Baker**, 5856 Hickory  
Greene Dr., Memphis, TN (US) 38141

(\*\*) Term: **14 Years**

(21) Appl. No.: **29/328,147**

(22) Filed: **Nov. 19, 2008**

(51) **LOC (9) Cl.** ..... **25-01**

(52) **U.S. Cl.** ..... **D99/43; D25/128**

(58) **Field of Classification Search** ..... D99/28-33,  
D99/43; D25/19, 35, 38, 52, 60, 63, 68,  
D25/100, 126, 128, 130; D6/491, 495; 232/17,  
232/24, 25, 27, 33-35, 37, 38, 43.2-43.4,  
232/45; 109/49.5, 53; 312/198, 215; 52/64,  
52/239, 311.3, 651.07, 663, 690, 696; D21/651,  
D21/702

See application file for complete search history.

(56) **References Cited**

**U.S. PATENT DOCUMENTS**

D27,509 S \* 8/1897 Chessor ..... D6/491  
D39,522 S \* 9/1908 Singer ..... D25/19  
D64,598 S \* 5/1924 Mollenkof ..... D25/128  
1,554,862 A \* 9/1925 Lightfoot ..... 232/25  
D74,071 S \* 12/1927 Pinocci ..... D25/128

2,480,288 A \* 8/1949 Donadio ..... 232/25  
D291,492 S \* 8/1987 Noyce ..... D25/128  
D293,132 S \* 12/1987 Noyce ..... D25/128  
D324,062 S \* 2/1992 Bengtsson ..... D18/15  
D386,884 S \* 11/1997 Barnes ..... D99/32  
D435,583 S \* 12/2000 Robillard ..... D18/15

\* cited by examiner

*Primary Examiner*—Philip S Hyder

*Assistant Examiner*—Susan E Krakower

(74) *Attorney, Agent, or Firm*—Butler, Snow, O'Mara,  
Stevens & Cannada PLLC

(57) **CLAIM**

The ornamental design for a cluster box indicator, as shown  
and described.

**DESCRIPTION**

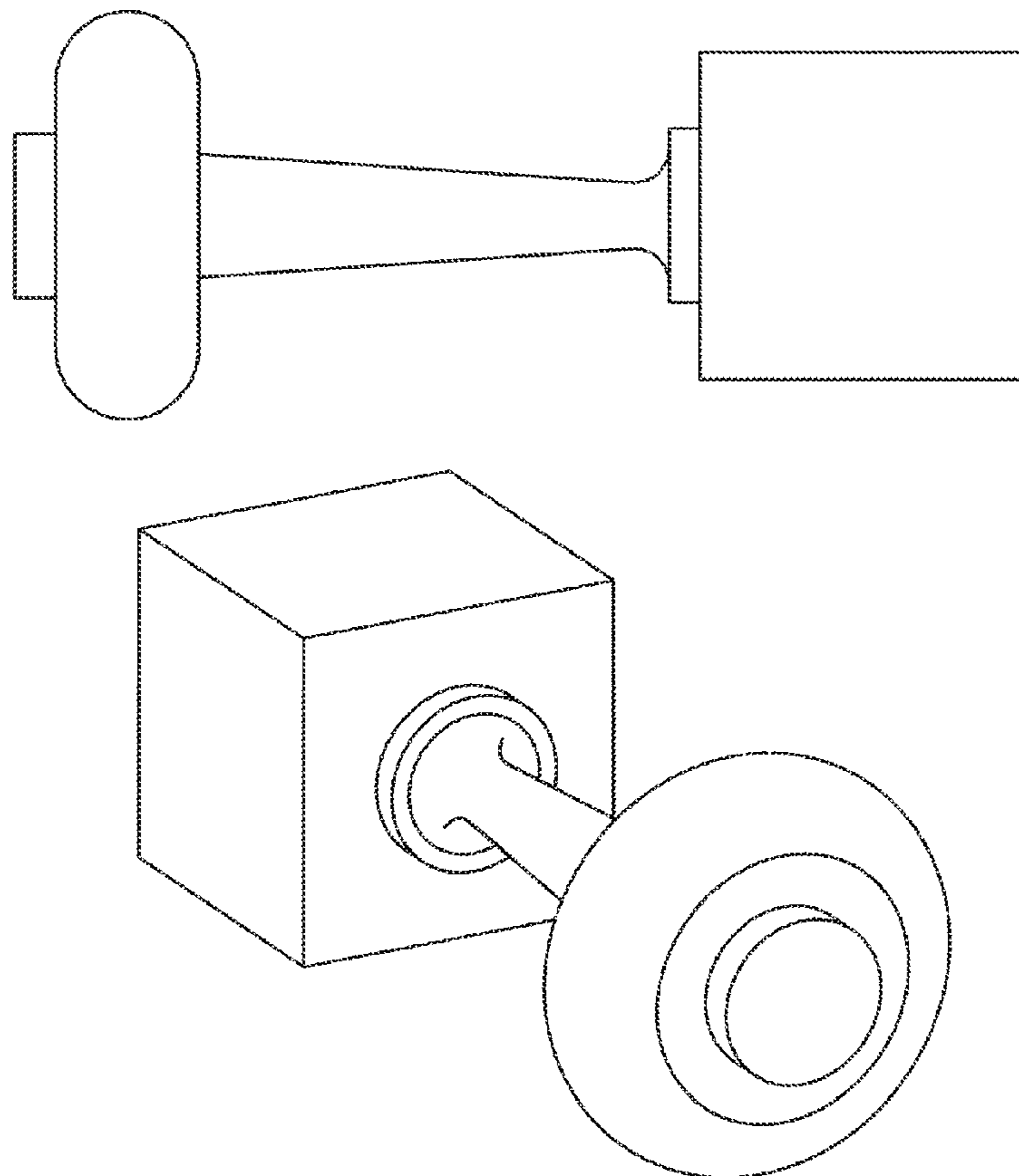
FIG. 1 is a front elevational view of a cluster box indicator  
showing our new design, the rear, right, and left side eleva-  
tional views being identical.

FIG. 2 is a top plan view.

FIG. 3 is a bottom plan view; and,

FIG. 4 is a perspective view thereof showing the bottom,  
front, and right sides.

**1 Claim, 4 Drawing Sheets**



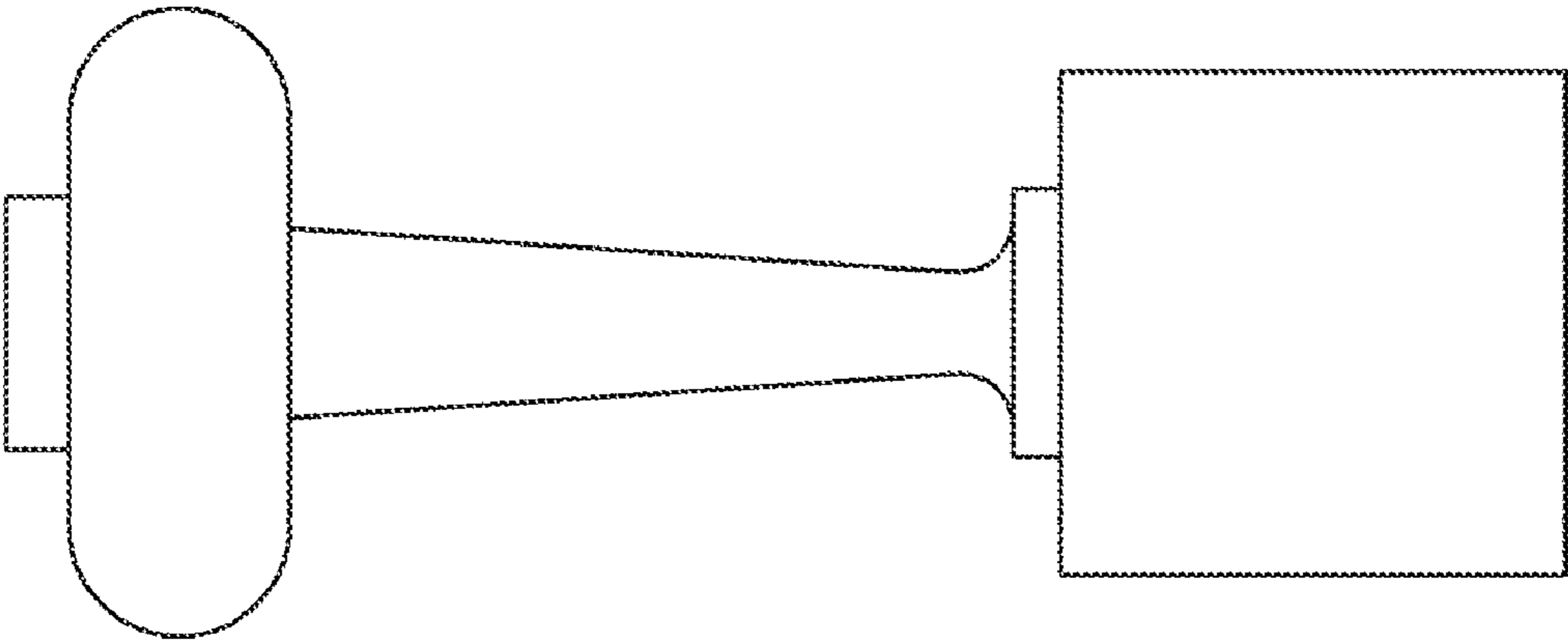


FIG. 1

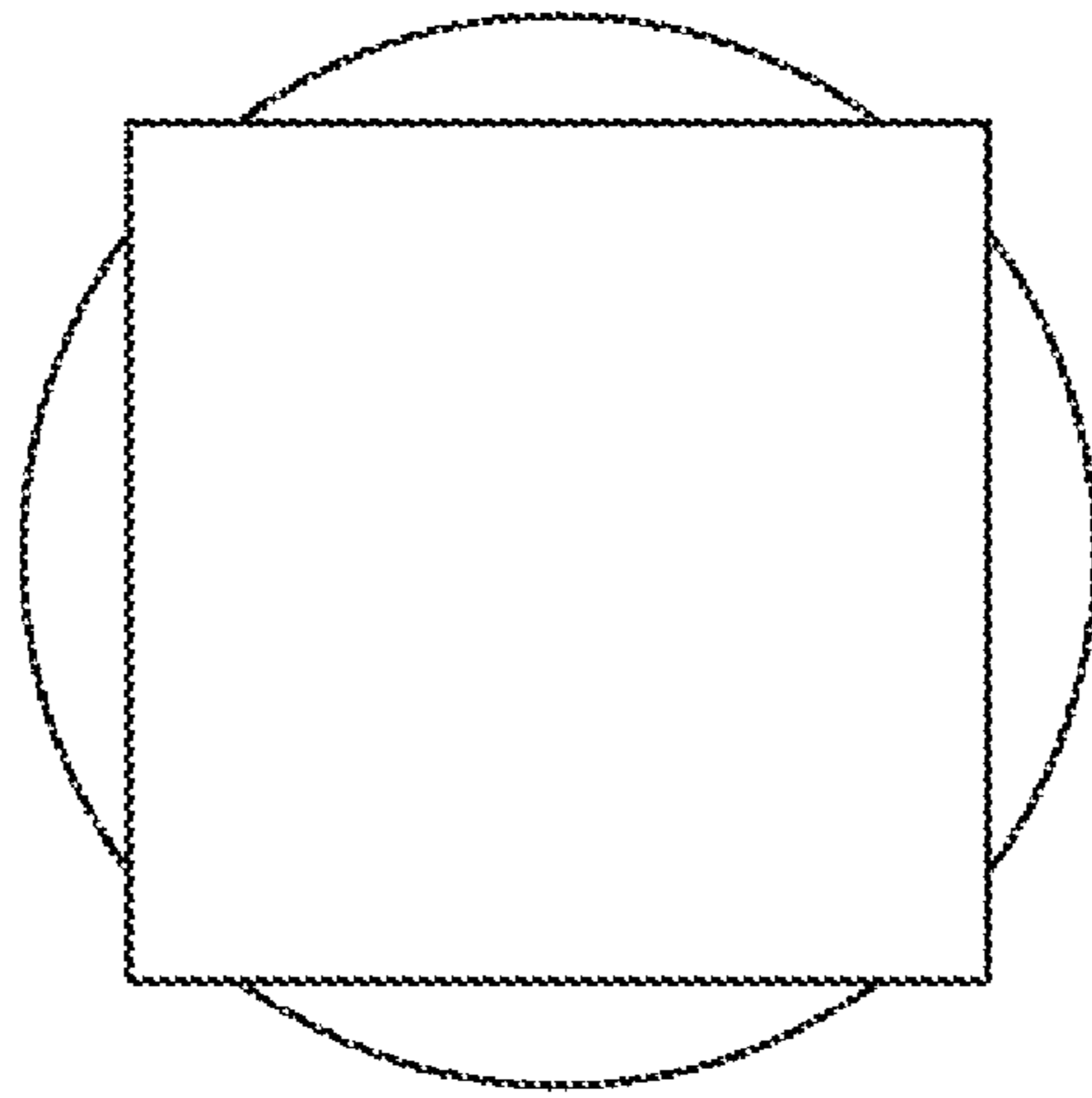


FIG. 2

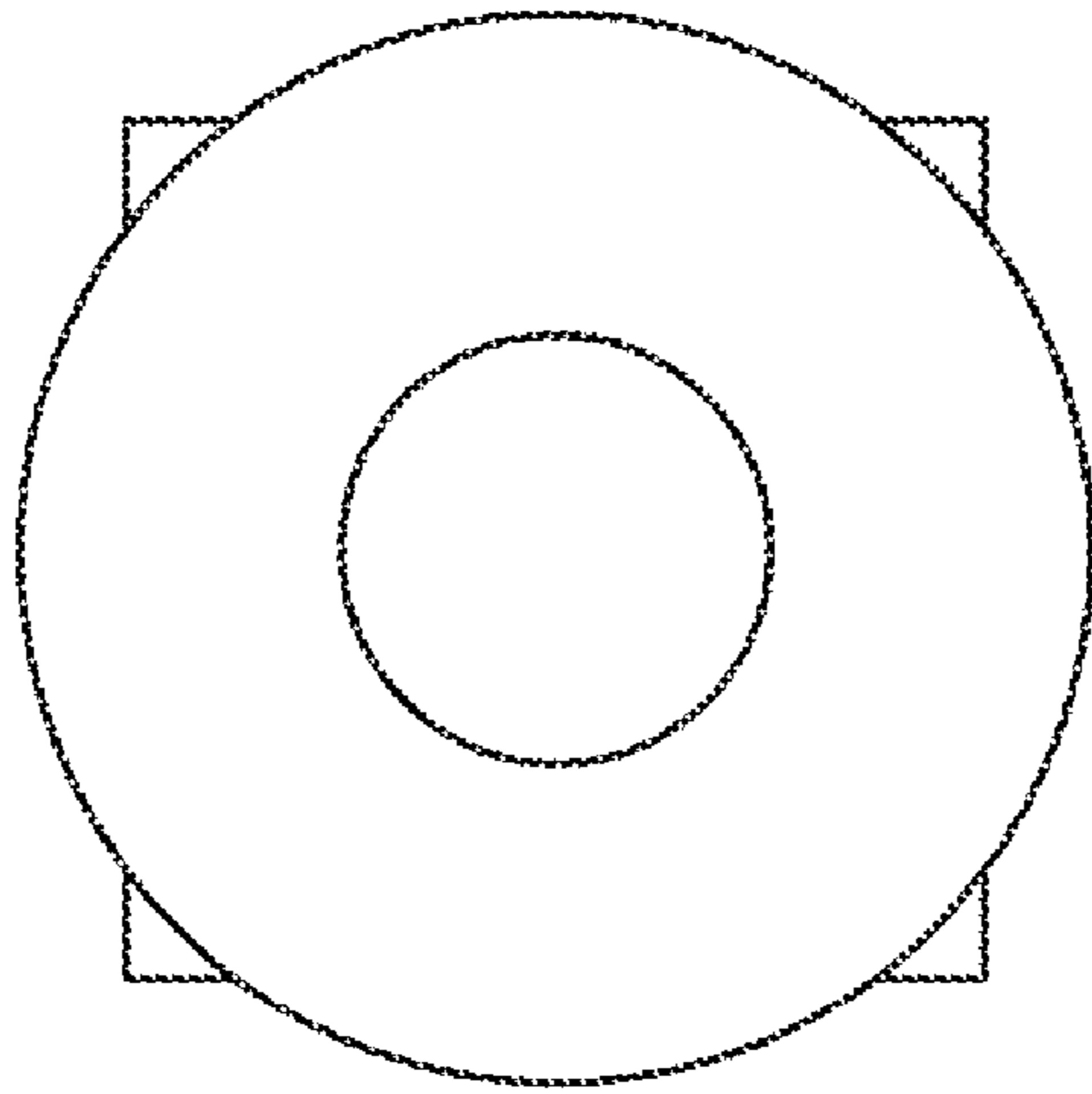


FIG. 3

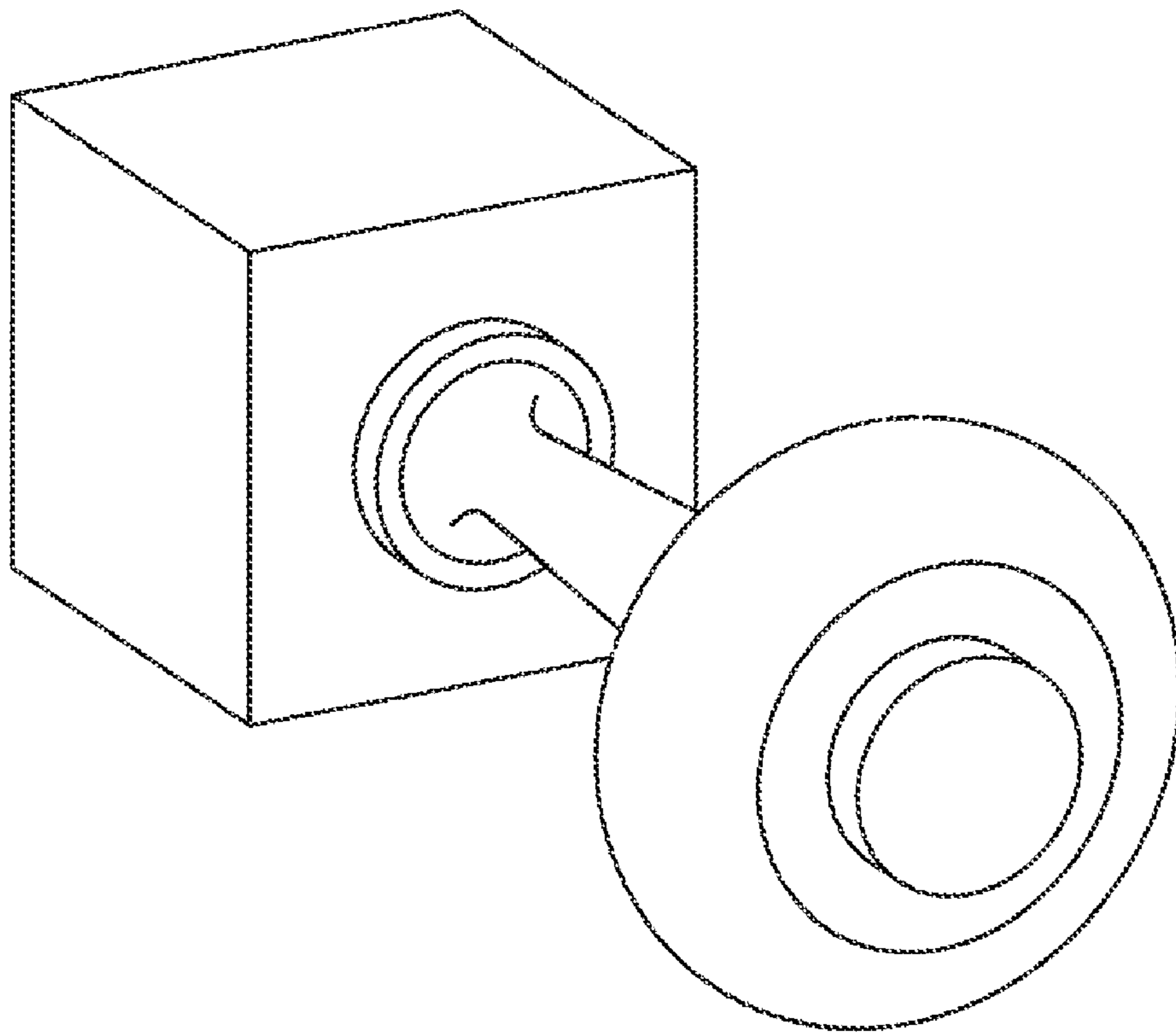


FIG. 4