



US00D612567S

(12) **United States Design Patent**
Carter

(10) **Patent No.:** **US D612,567 S**

(45) **Date of Patent:** **** Mar. 23, 2010**

(54) **PALLET**

(76) **Inventor:** **Bruce Ralph Carter**, 380 Old Line Ave.,
Exeter, CA (US) 93221

(**) **Term:** **14 Years**

(21) **Appl. No.:** **29/321,664**

(22) **Filed:** **Jul. 21, 2008**

Related U.S. Application Data

(63) Continuation-in-part of application No. 11/796,880,
filed on Apr. 30, 2007, now abandoned.

(51) **LOC (9) Cl.** **09-08**

(52) **U.S. Cl.** **D34/38**

(58) **Field of Classification Search** D34/38;
108/51.11, 53.1, 56.1, 55.3, 57.1, 57.28,
108/57.25; 248/346.02

See application file for complete search history.

(56) **References Cited**

U.S. PATENT DOCUMENTS

D217,861 S *	6/1970	Bartee	D34/38
3,720,176 A	3/1973	Munroe		
D279,617 S *	7/1985	Helmer	D34/38
5,193,464 A	3/1993	Morden		
D348,136 S *	6/1994	Haag et al.	D34/38
5,579,686 A	12/1996	Pigott et al.		

D379,716 S *	6/1997	Zipperle et al.	D3/304
D417,765 S *	12/1999	Morello	D34/38
6,786,992 B2	9/2004	Dummett		
D521,208 S	5/2006	France		
D555,324 S *	11/2007	Lux, Jr.	D34/38
2005/0263044 A1	12/2005	Bearse et al.		

* cited by examiner

Primary Examiner—Cynthia E Ramirez

(74) *Attorney, Agent, or Firm*—Michael Blaine Brooks, P.C.;
Michael B. Brooks

(57) **CLAIM**

I claim the ornamental design for a pallet, as shown and described.

DESCRIPTION

FIG. 1 is a top-front-left perspective view of an embodiment of a pallet showing my new design;

FIG. 2 is a bottom-front-right perspective view thereof;

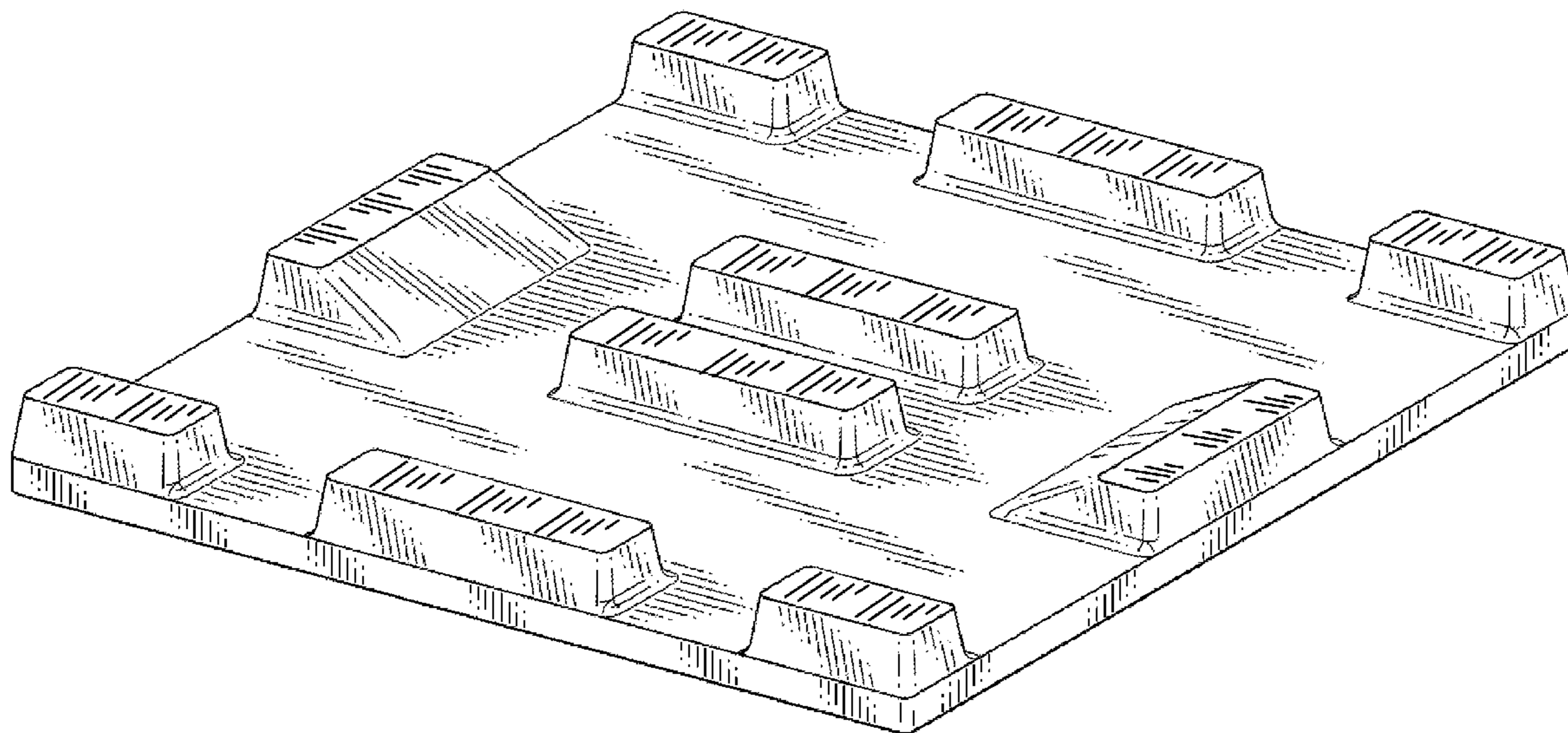
FIG. 3 is a bottom plan view thereof;

FIG. 4 is a front elevational view thereof; the back elevational view is a mirror image thereof;

FIG. 5 is a left elevational view thereof; the right elevational view is a mirror image thereof; and,

FIG. 6 is a top plan view thereof.

1 Claim, 4 Drawing Sheets



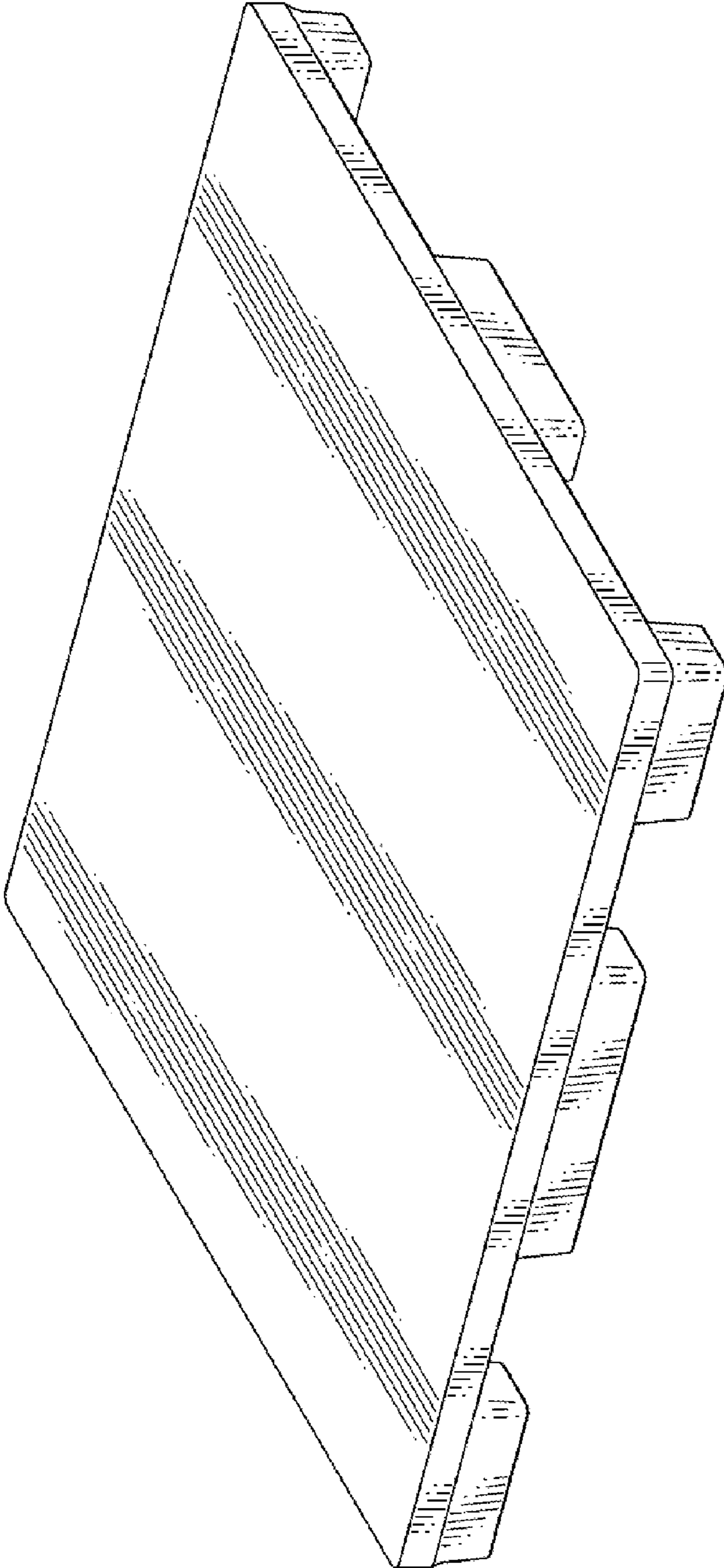


FIG. 1

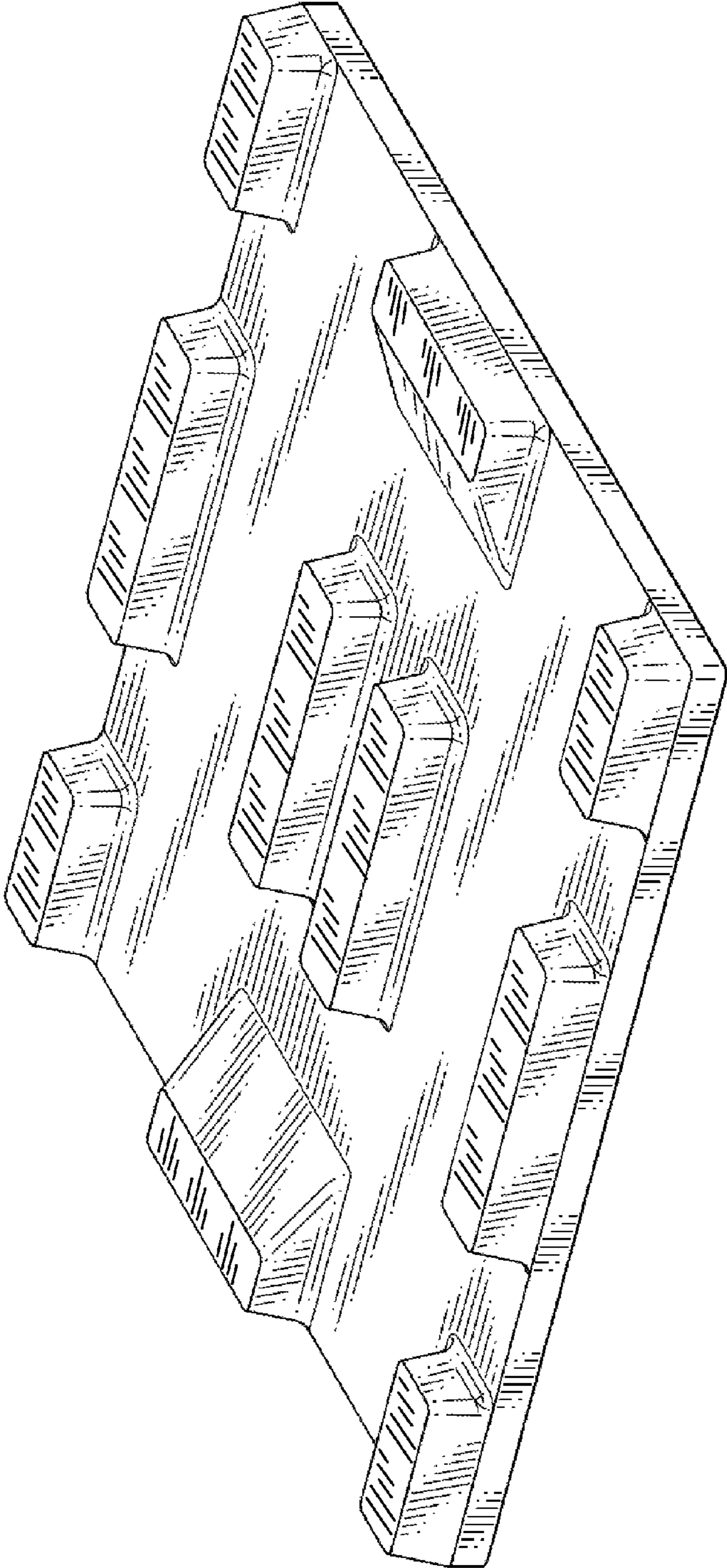


FIG. 2

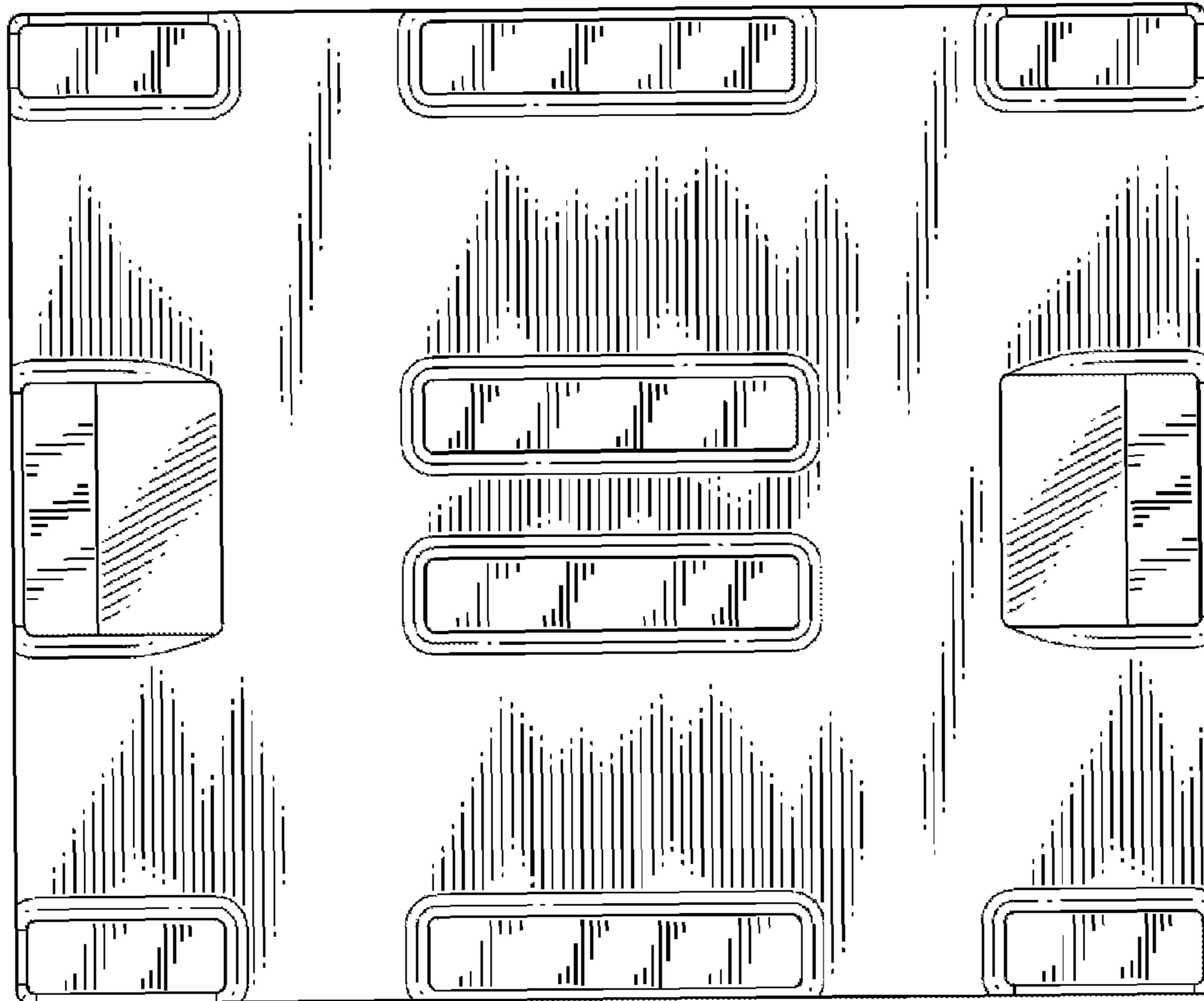


FIG. 3

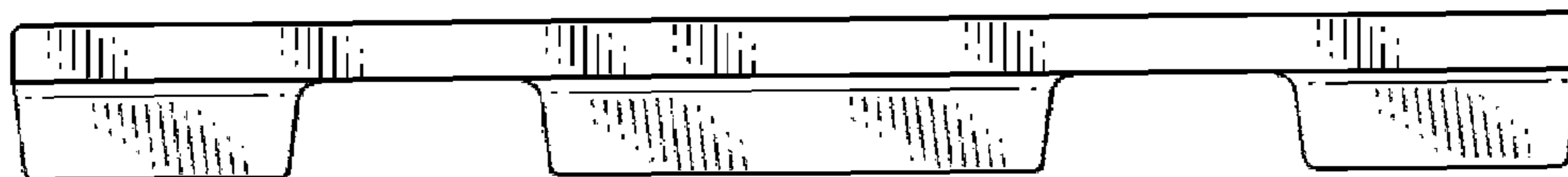


FIG. 4

FIG. 5

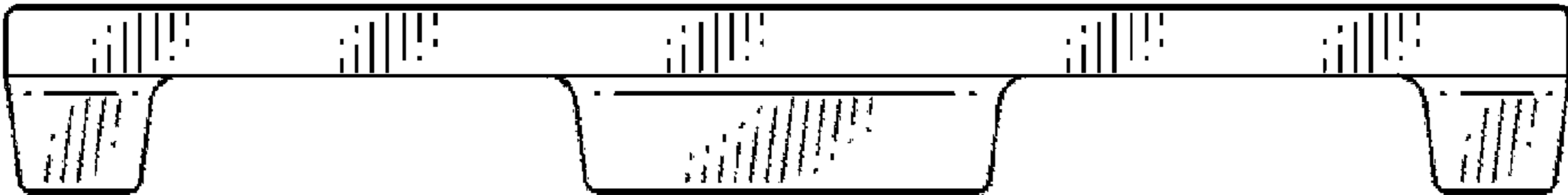


FIG. 6

