



US00D612566S

(12) **United States Design Patent**
Kessler

(10) **Patent No.:** **US D612,566 S**
(45) **Date of Patent:** **** Mar. 23, 2010**

(54) **PALLET SUPPORT**

(75) Inventor: **Robert R. Kessler**, Augusta, IL (US)

(73) Assignee: **Green Line Armor, LLC**, Quincy, IL (US)

(**) Term: **14 Years**

(21) Appl. No.: **29/305,558**

(22) Filed: **Mar. 24, 2008**

(51) **LOC (9) Cl.** **09-09**

(52) **U.S. Cl.** **D34/38**

(58) **Field of Classification Search** D34/38;
108/51.11, 51.3, 53.1, 53.3, 53.5, 56.1, 573.18;
206/386, 597, 599, 600

See application file for complete search history.

(56) **References Cited**

U.S. PATENT DOCUMENTS

2,885,073 A * 5/1959 Bettoli et al. 206/324
(Continued)

FOREIGN PATENT DOCUMENTS

GB 002080763 A * 2/1982

Primary Examiner—Cynthia E Ramirez

(74) *Attorney, Agent, or Firm*—Mathew R. P. Perrone; Brie A. Crawford, Jr.

(57) **CLAIM**

The ornamental design for a pallet support, as shown and described.

DESCRIPTION

FIG. 1 is a first embodiment of a front perspective view of a pallet support of my invention in use;

FIG. 2 is a front plan view of a pallet support of my invention based on FIG. 1;

FIG. 3 is a rear plan view of a pallet support of my invention and a reverse view of FIG. 2;

FIG. 4 is a top plan view of a pallet support of my invention based on FIG. 1;

FIG. 5 is a bottom plan view of a pallet support of my invention based on FIG. 1 and a reverse view of FIG. 4;

FIG. 6 is an end plan view of a pallet support of my invention based on FIG. 1;

FIG. 7 is an end plan view of a pallet support of my invention based on FIG. 1 and a reverse view of FIG. 6;

FIG. 8 is a rear perspective view of the first embodiment of a pallet support of my invention based on FIG. 1;

FIG. 9 is a front perspective view of a second embodiment for a pallet support of my invention in use;

FIG. 10 is a front plan view of a pallet support of my invention based on FIG. 9;

FIG. 11 is a rear plan view of a pallet support of my invention and a reverse view of FIG. 10;

FIG. 12 is a top plan view of a pallet support of my invention based on FIG. 9;

FIG. 13 is a bottom plan view of a pallet support of my invention based on FIG. 9 and a reverse view of FIG. 12;

FIG. 14 is an end plan view of a pallet support of my invention based on FIG. 9;

FIG. 15 is an end plan view of a pallet support of my invention based on FIG. 9 and a reverse view of FIG. 14;

FIG. 16 is a rear perspective view of the second embodiment of a pallet support of my invention based on FIG. 9;

FIG. 17 is a front perspective view of a third embodiment for a pallet support of my invention in use;

FIG. 18 is a front plan view of a pallet support of my invention based on FIG. 17;

FIG. 19 is a rear plan view of a pallet support of my invention and a reverse view of FIG. 18;

FIG. 20 is a top side view of a pallet support of my invention based on FIG. 17;

FIG. 21 is a bottom side view of a pallet support of my invention based on FIG. 17 and a reverse view of FIG. 20;

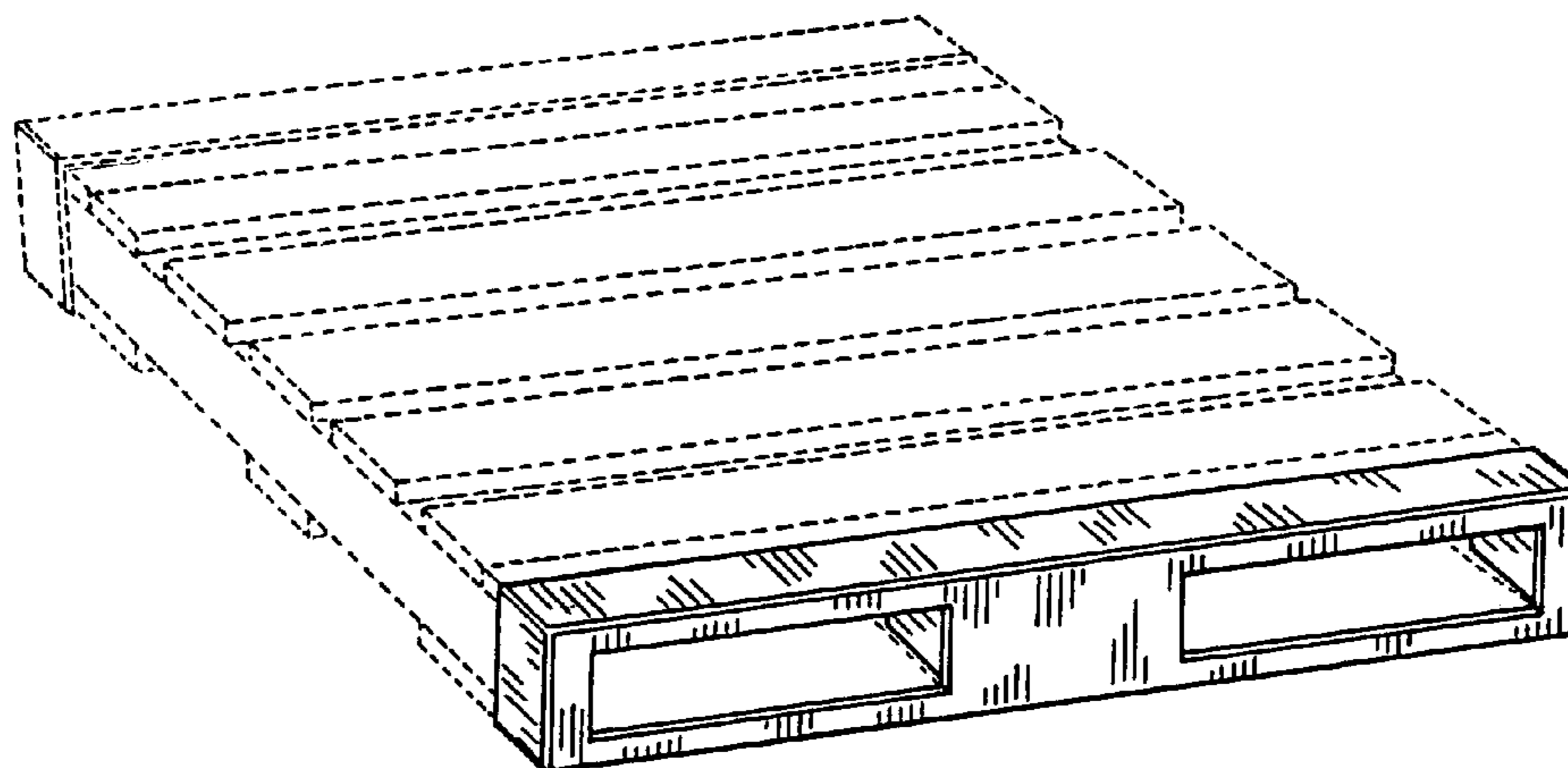
FIG. 22 is an end plan view of a pallet support of my invention based on FIG. 17;

FIG. 23 is an end plan view of a pallet support of my invention based on FIG. 17 and a reverse view of FIG. 22; and,

FIG. 24 is a rear perspective view of the third embodiment of a pallet support of my invention based on FIG. 17;

The portions of the pallet support shown in broken lines in FIG. 1, FIG. 3, FIG. 9, and FIG. 17 form no part of the claimed invention.

1 Claim, 6 Drawing Sheets



US D612,566 S

Page 2

U.S. PATENT DOCUMENTS

3,940,101	A *	2/1976	Heidelbach	248/346.4	D453,057	S *	1/2002	Sewell	D34/38
4,509,433	A *	4/1985	Farr	108/52.1	6,926,144	B1 *	8/2005	Schnaars et al.	206/386
4,960,209	A *	10/1990	Tudor	206/597	D547,024	S *	7/2007	Brefka et al.	D34/38
D416,782	S *	11/1999	Reinhardt	D8/354	D551,424	S *	9/2007	Meisen et al.	D34/38

* cited by examiner

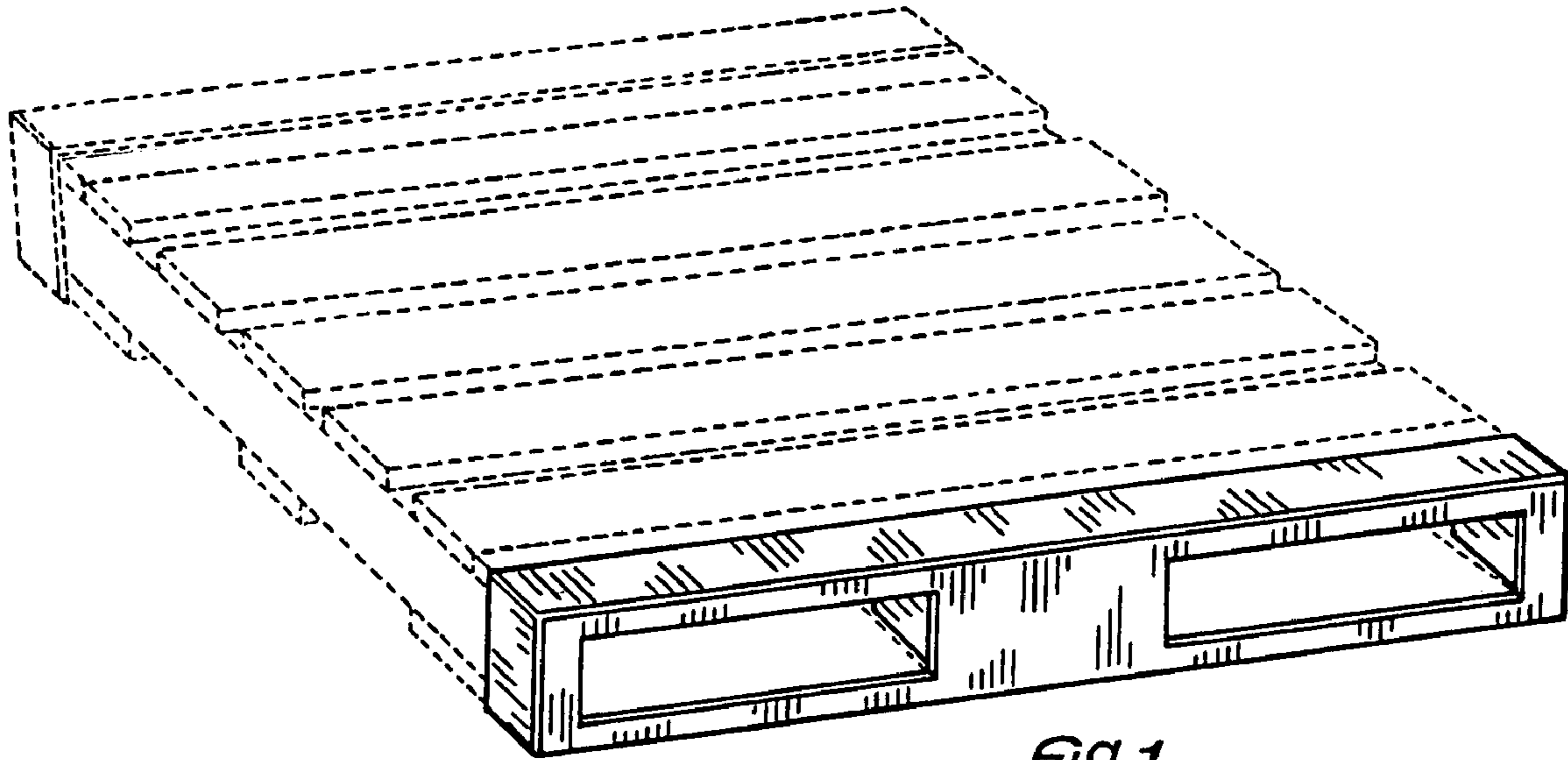


Fig. 1.

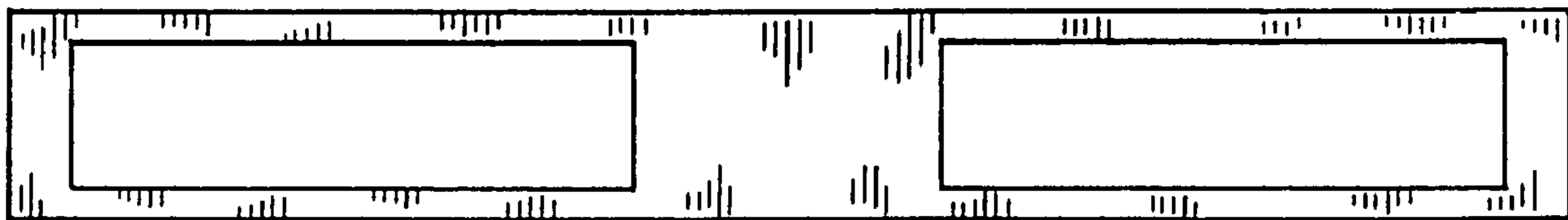


Fig. 2.

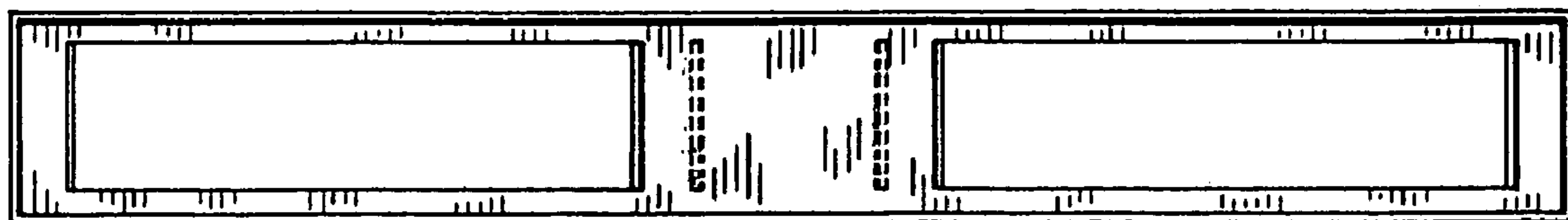


Fig. 3.

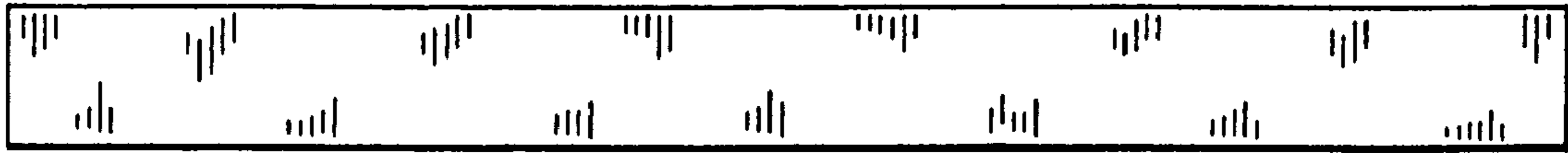


FIG. 4.

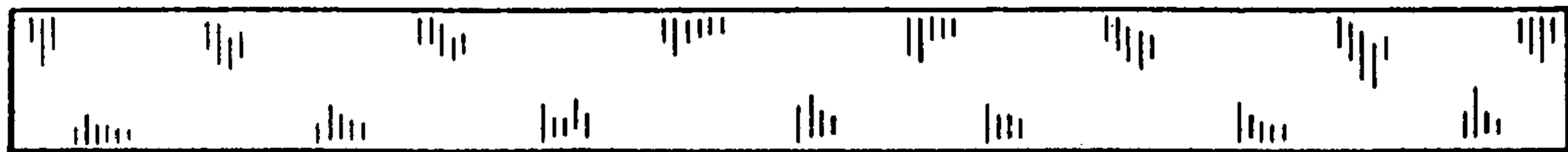


FIG. 5.

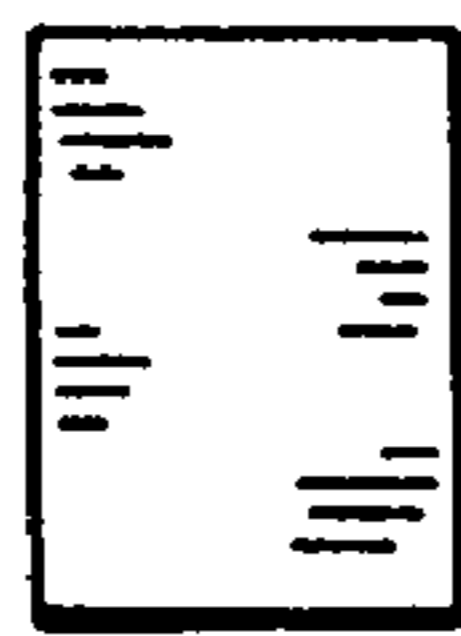


FIG. 6.

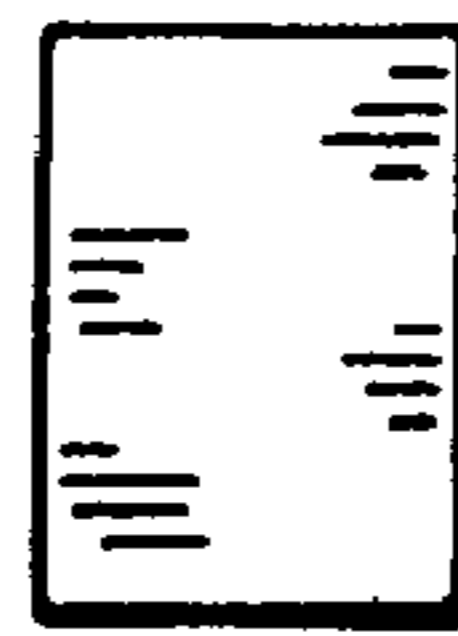


FIG. 7.

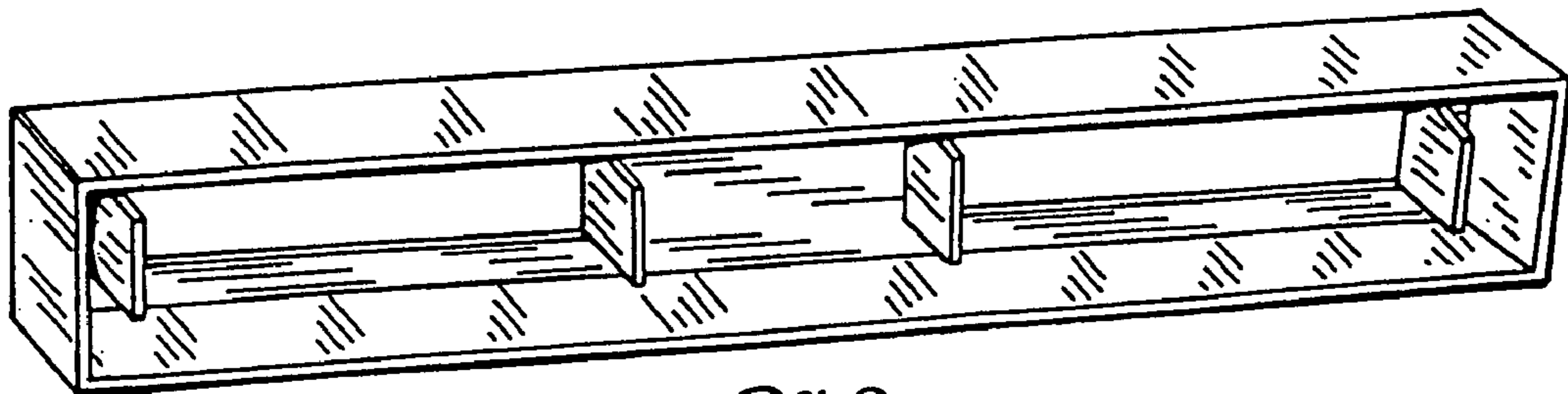


FIG. 8.

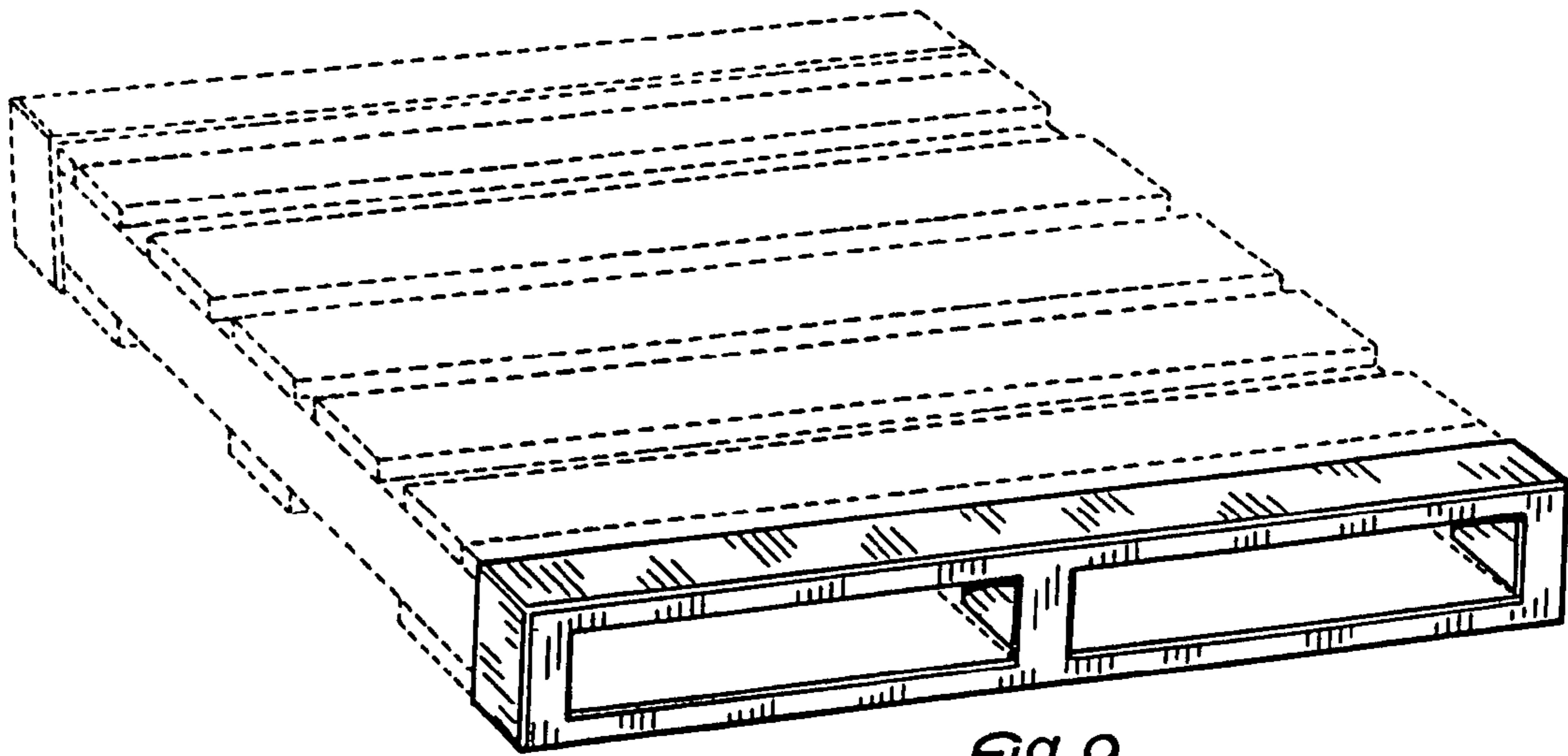


Fig. 9.

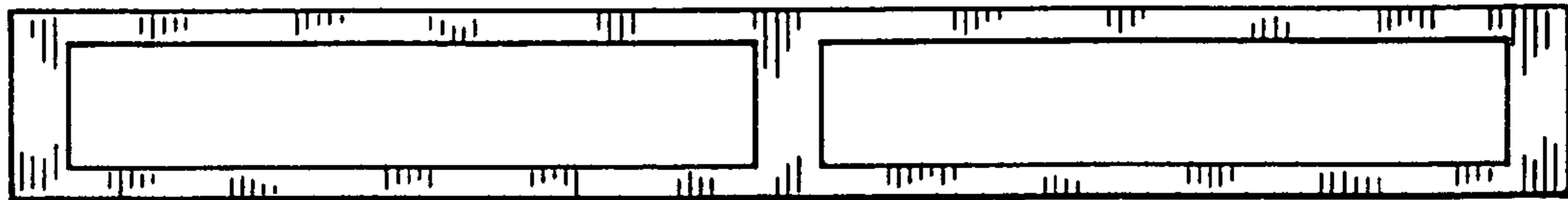


Fig. 10.

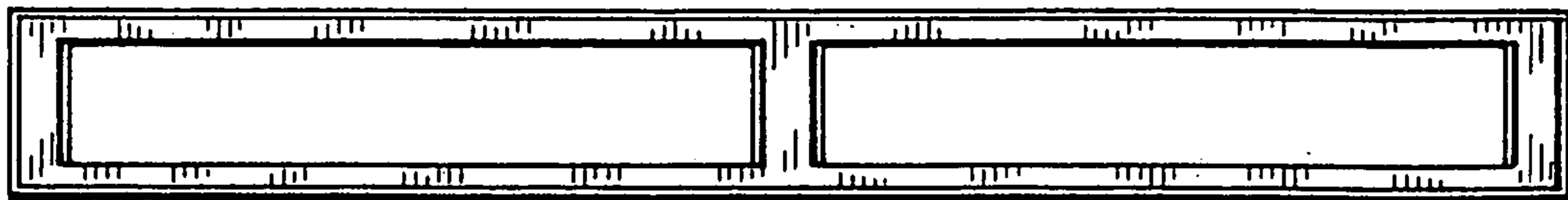


Fig. 11.



FIG. 12.

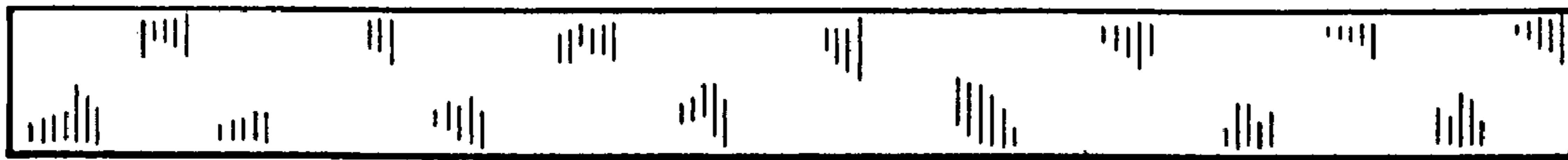


FIG. 13.



FIG. 14.

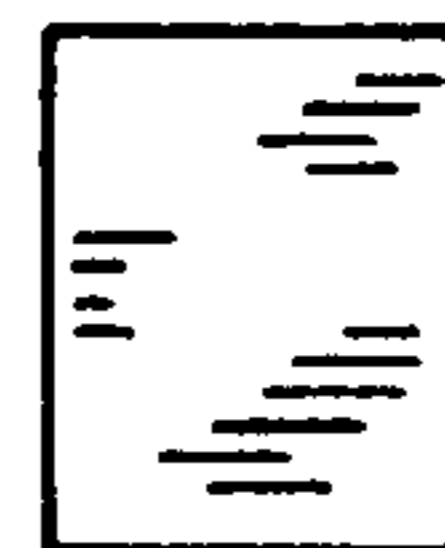


FIG. 15.

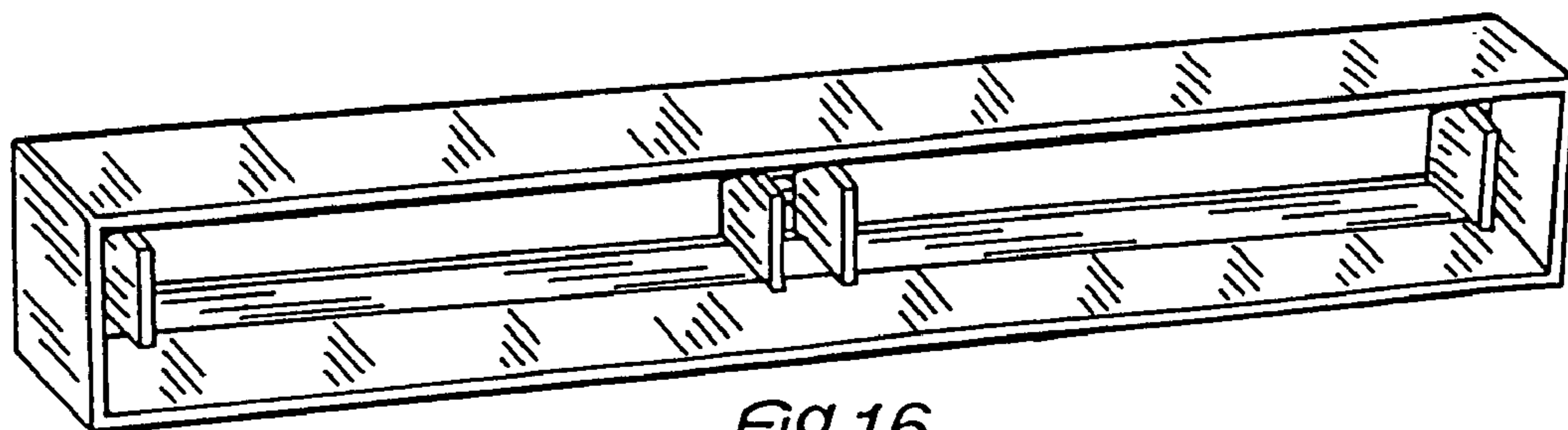


FIG. 16.

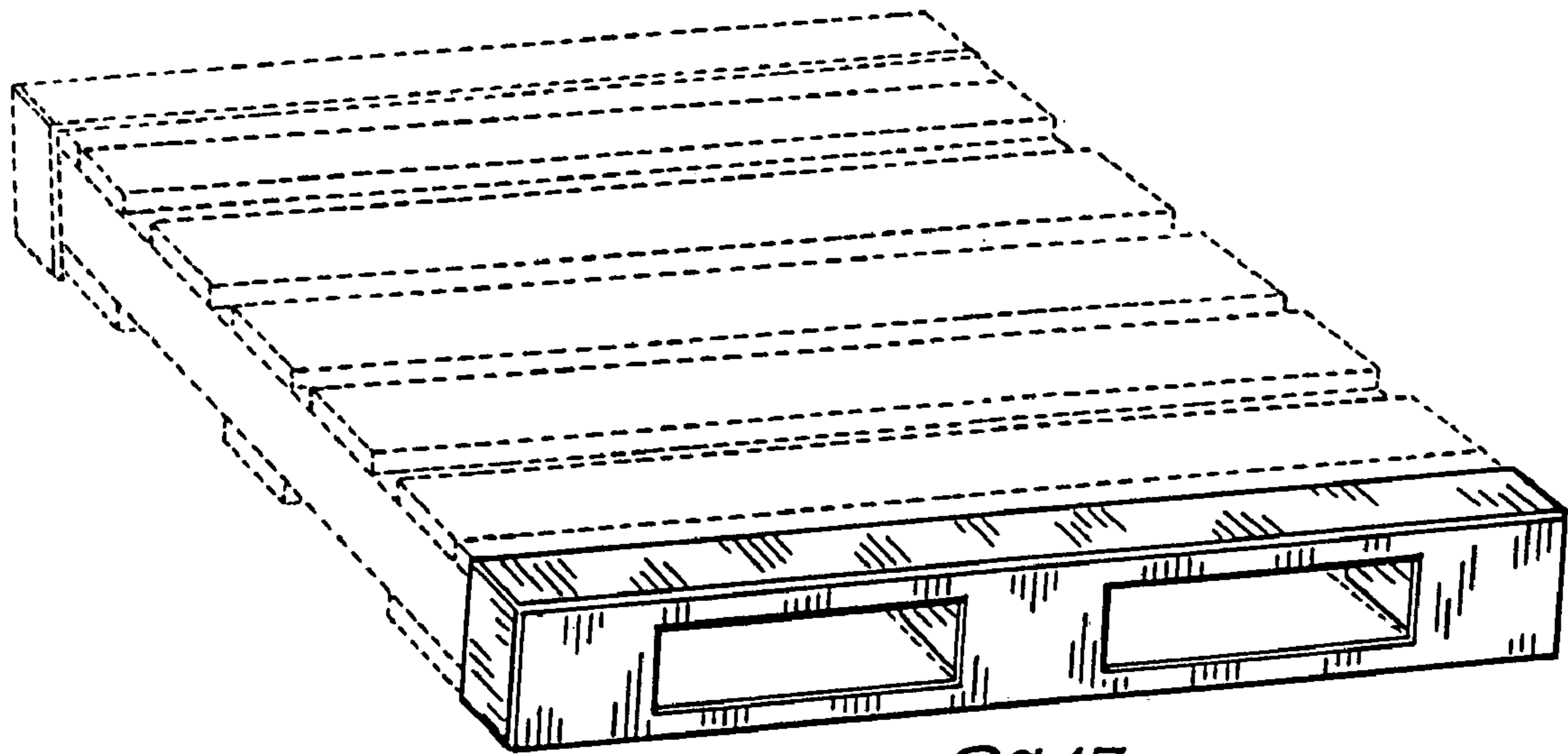


Fig. 17.

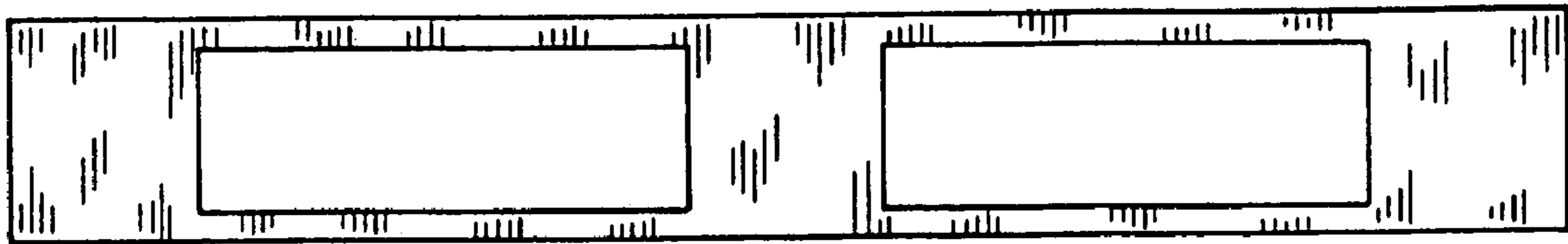


Fig. 18.

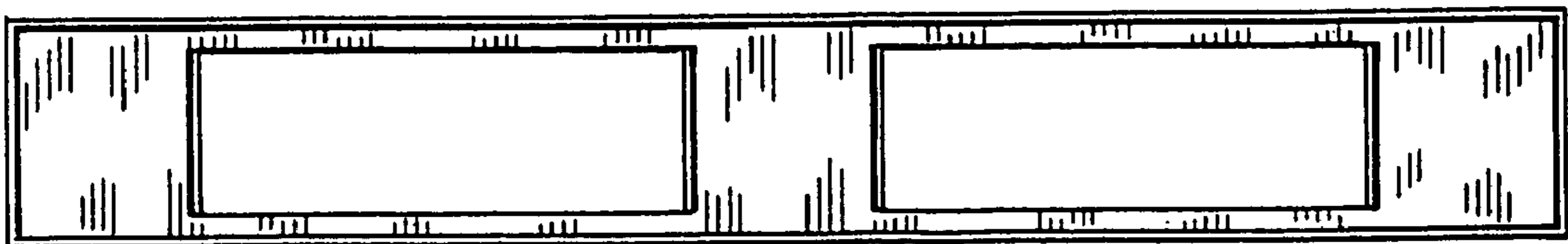


Fig. 19.

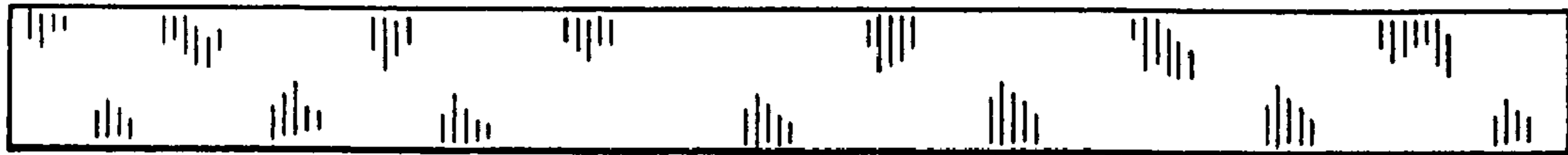


FIG. 20.

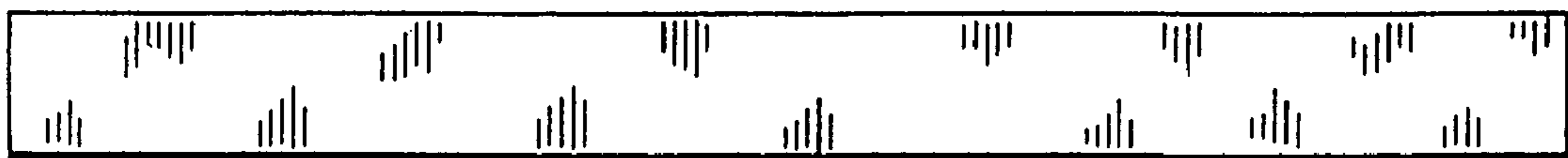


FIG. 21.

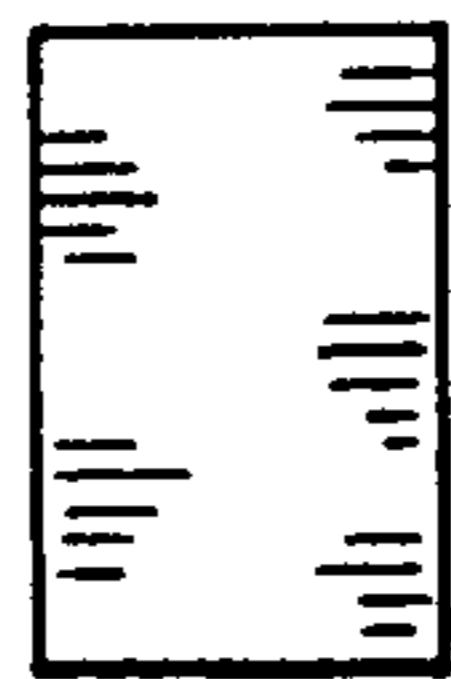


FIG. 22.

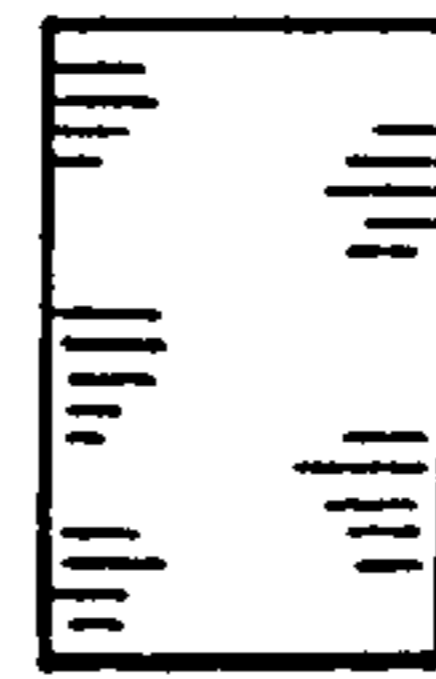


FIG. 23.

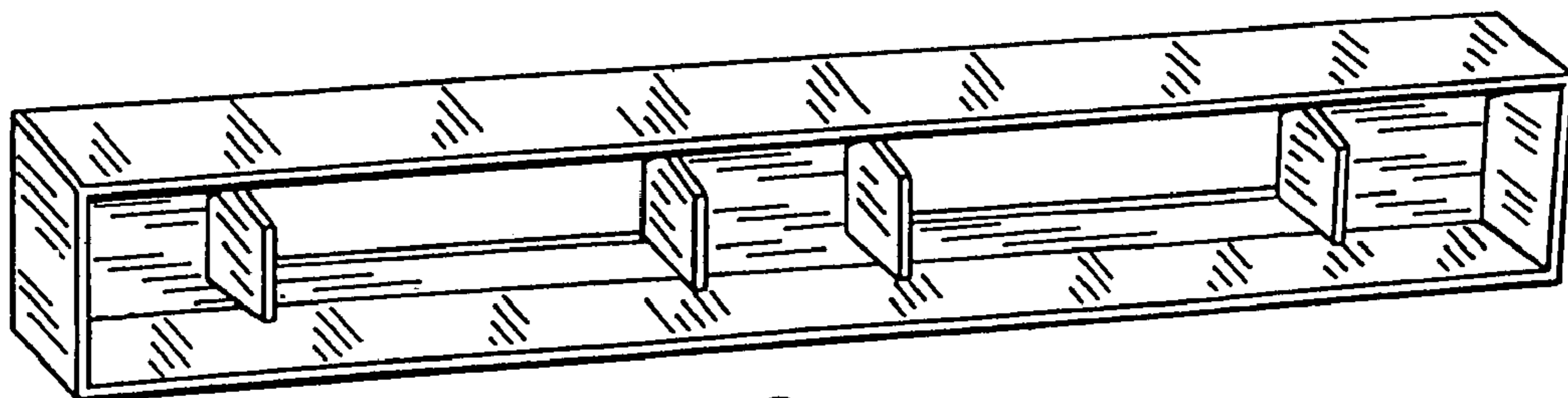


FIG. 24.