



US00D612563S

(12) **United States Design Patent**
Stark

(10) **Patent No.:** **US D612,563 S**
(45) **Date of Patent:** **** Mar. 23, 2010**

(54) **FORKLIFT, TOY, OR LIKENESS THEREOF**

D557,474 S * 12/2007 Kouyama et al. D34/34
D579,622 S * 10/2008 Kim D34/34
D587,425 S * 2/2009 Mori et al. D34/34

(75) Inventor: **Stefan Stark**, Ludwigsburg (DE)

(73) Assignee: **Dr. Ing. h.c. F. Porsche**
Aktiengesellschaft, Stuttgart (DE)

* cited by examiner

Primary Examiner—Cynthia E Ramirez
(74) *Attorney, Agent, or Firm*—RatnerPrestia

(**) Term: **14 Years**

(21) Appl. No.: **29/309,375**

(57) **CLAIM**

(22) Filed: **Aug. 5, 2008**

The ornamental design for a forklift, toy, or likeness thereof,
as shown and described.

(30) **Foreign Application Priority Data**

Feb. 11, 2008 (EM) 000876396-0001

DESCRIPTION

(51) **LOC (9) Cl.** **12-05**

FIG. 1 is a left, rear perspective view of a forklift, toy, or
likeness thereof according to my novel design;

(52) **U.S. Cl.** **D34/34**

FIG. 2 is a right, front perspective view thereof;

(58) **Field of Classification Search** D34/34;
187/222, 237, 238; 414/631; 180/89.12,
180/89.13, 89.17

FIG. 3 is a left side view thereof;

FIG. 4 is a right side view thereof;

See application file for complete search history.

FIG. 5 is a front view thereof;

FIG. 6 is a rear view thereof;

(56) **References Cited**

U.S. PATENT DOCUMENTS

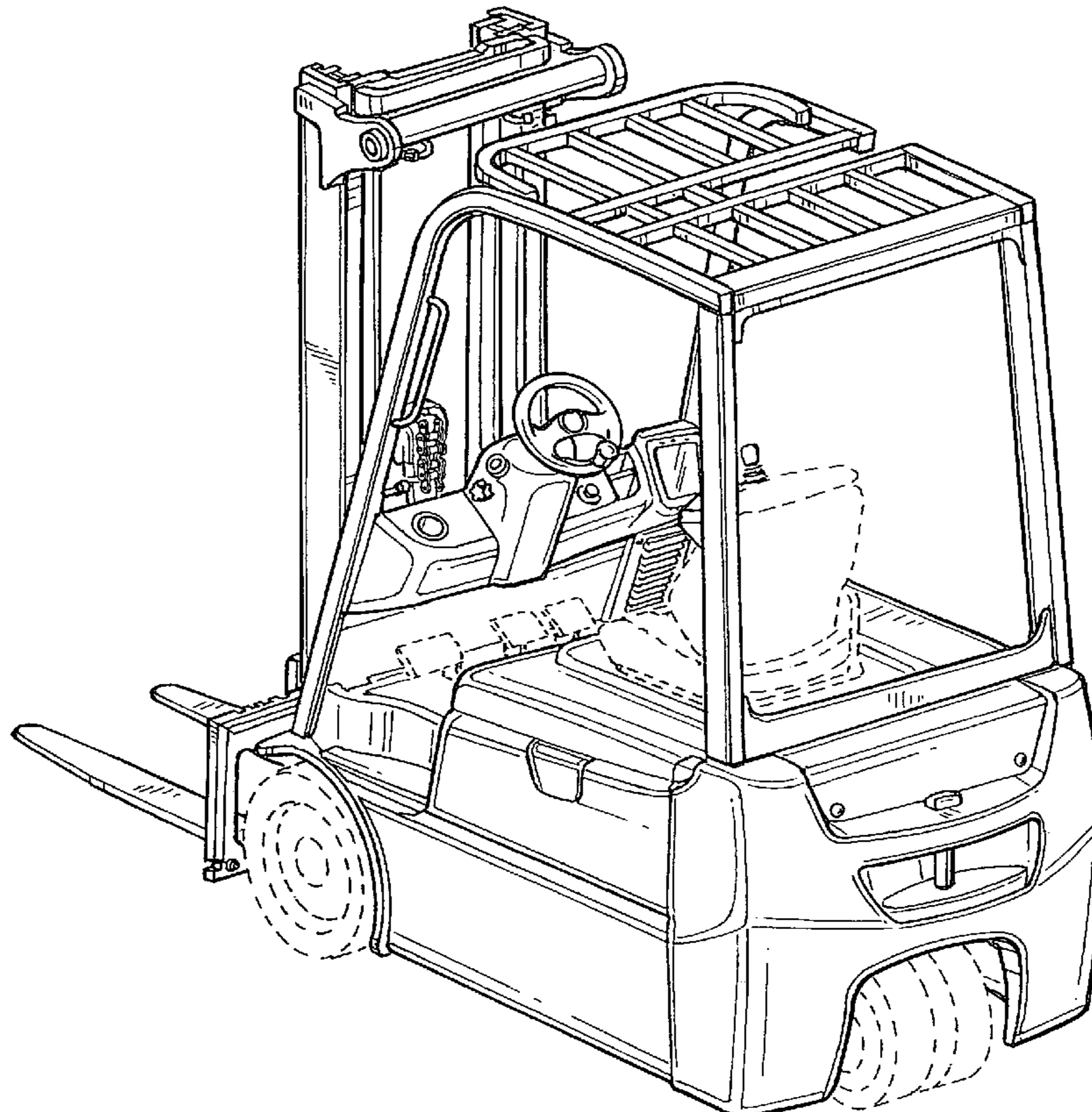
D384,476 S * 9/1997 Rick et al. D34/34
D386,872 S * 11/1997 Rick et al. D34/34
D448,136 S * 9/2001 Yurushi et al. D34/34
D492,831 S * 7/2004 Kouyama D34/34
D538,004 S * 3/2007 Kouyama et al. D34/34

FIG. 7 is a top view thereof; and,

FIG. 8 is a bottom view thereof.

The broken lines are for illustrative purposes only and form
no part of the claimed design.

1 Claim, 7 Drawing Sheets



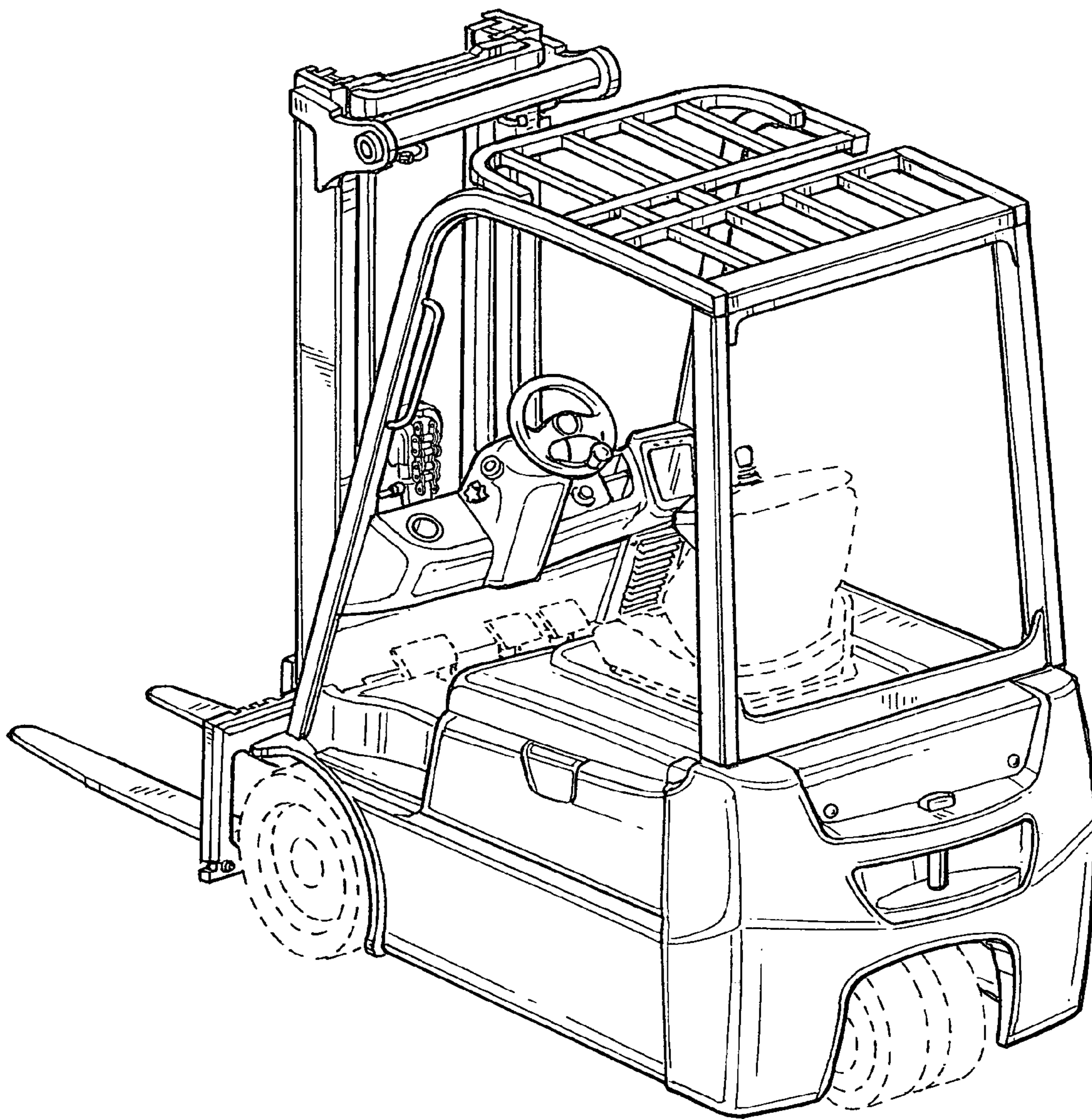


FIG. 1

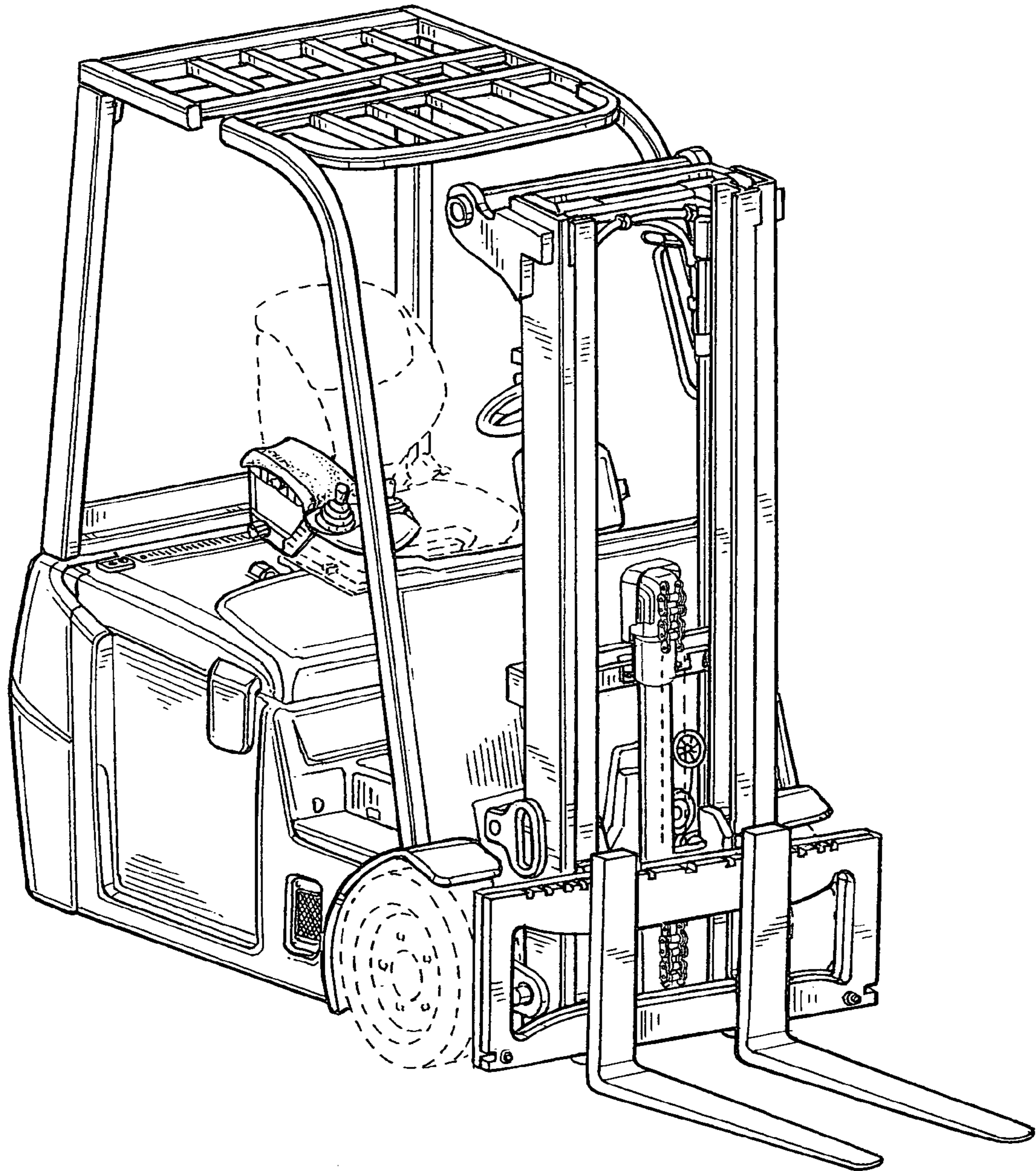


FIG. 2

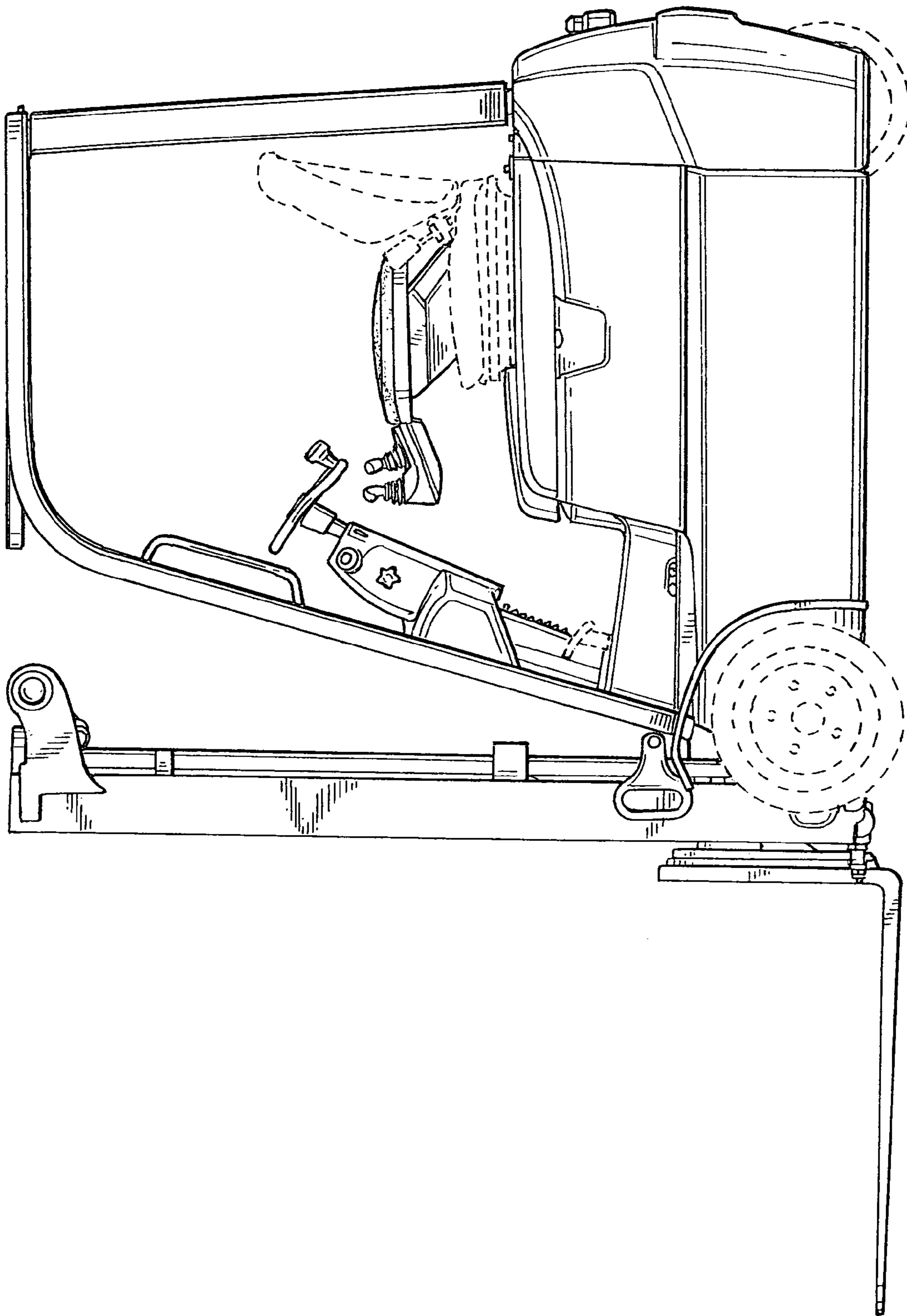


FIG. 3

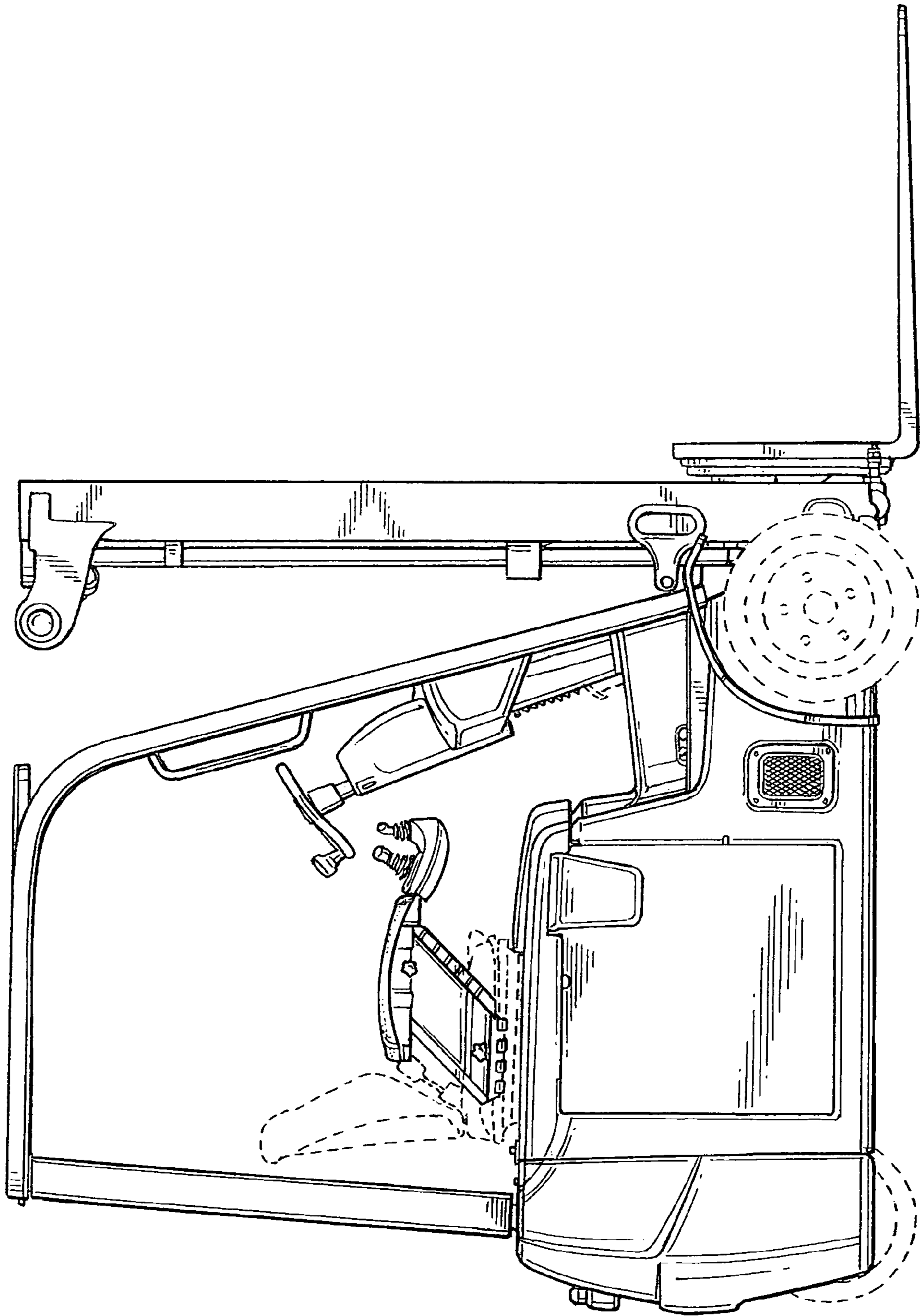


FIG. 4

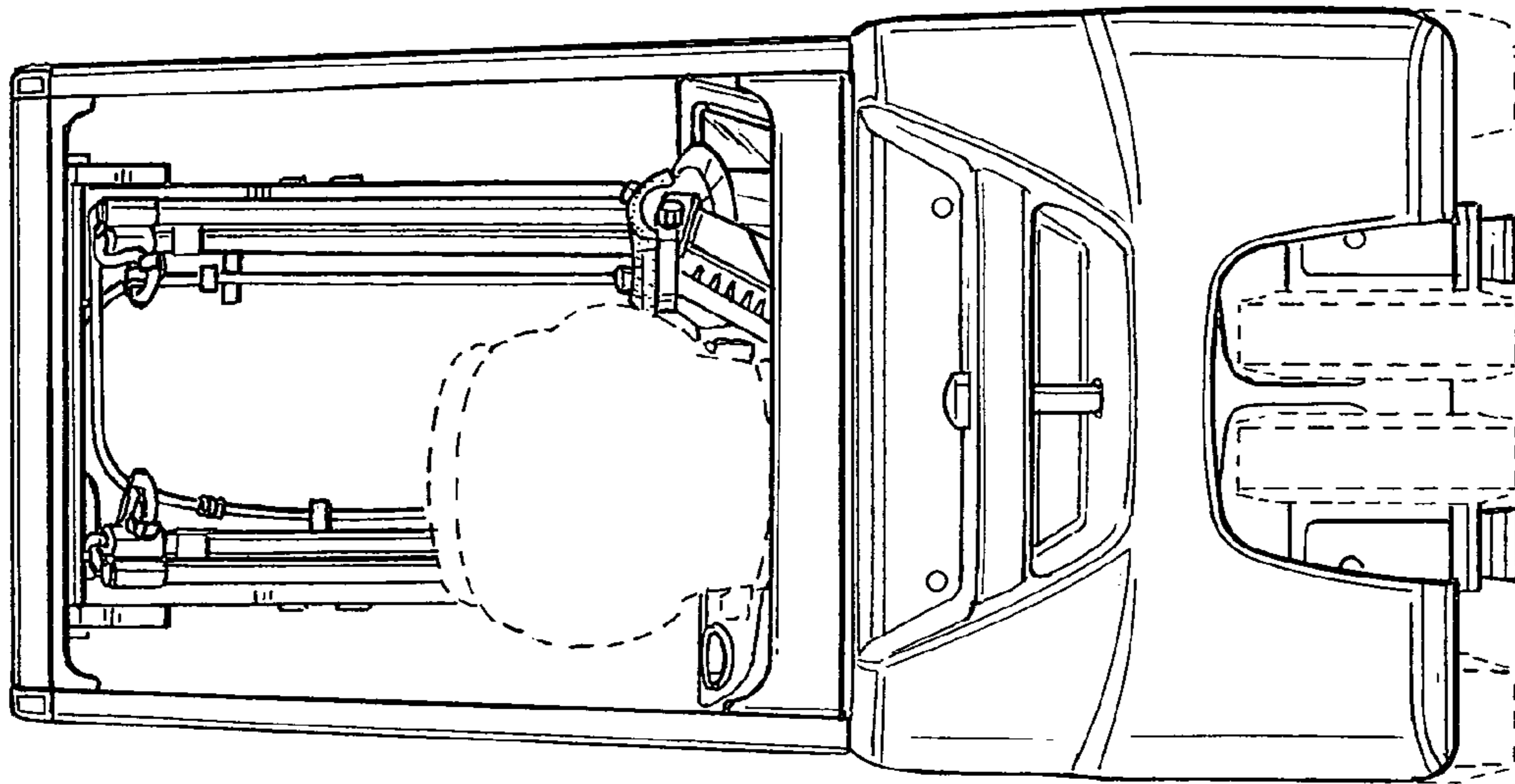


FIG. 6

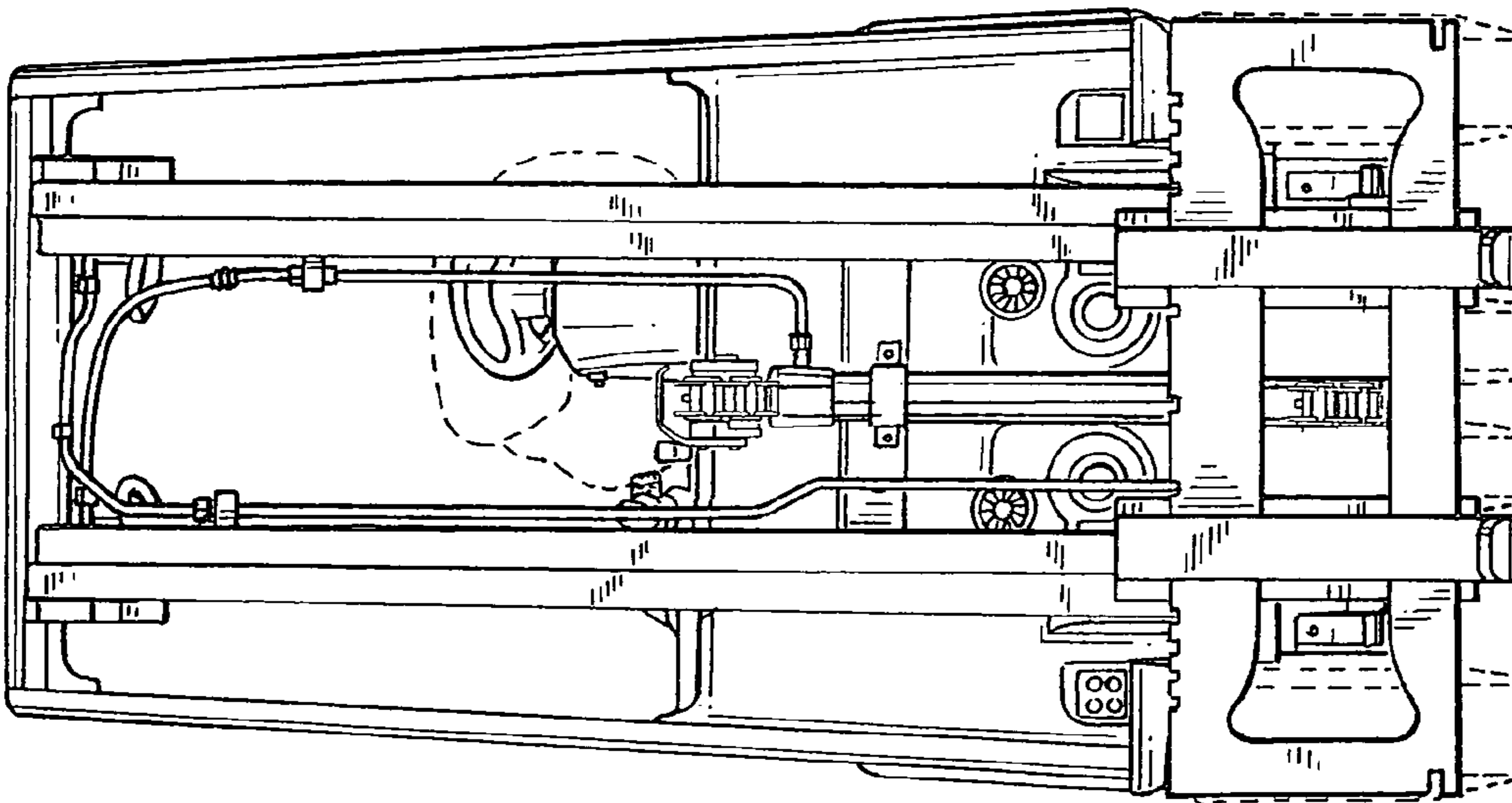


FIG. 5

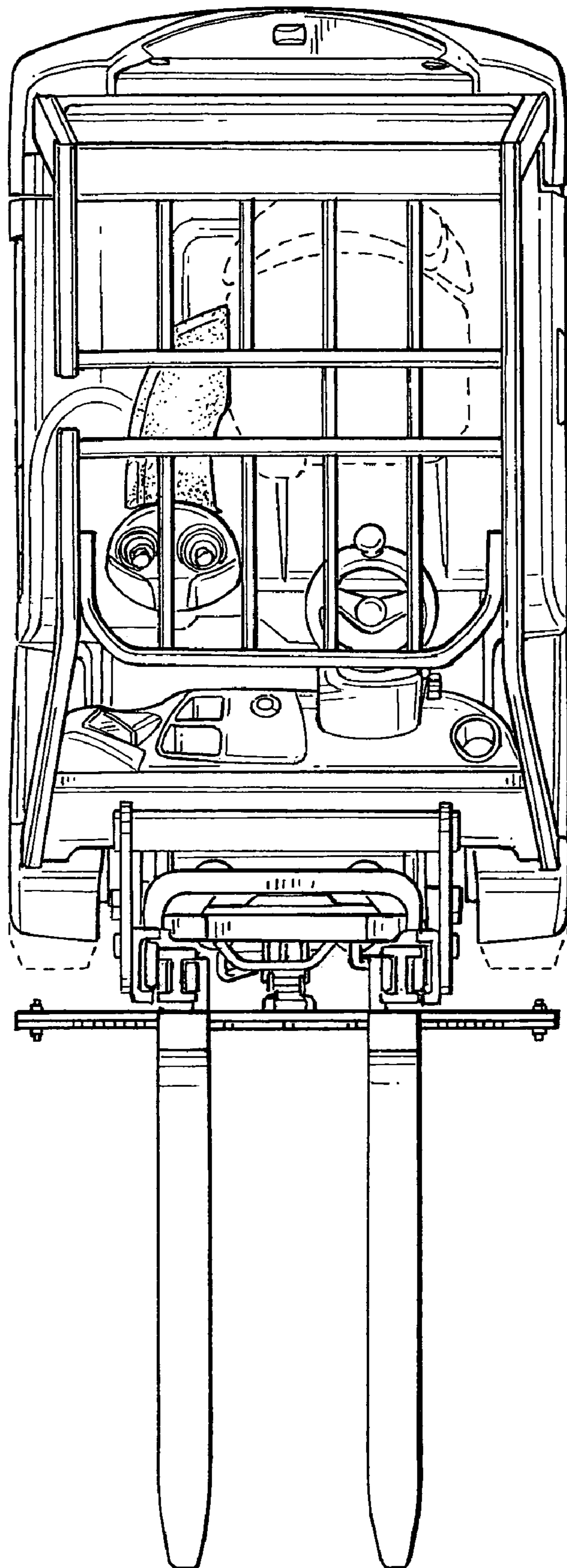


FIG. 7

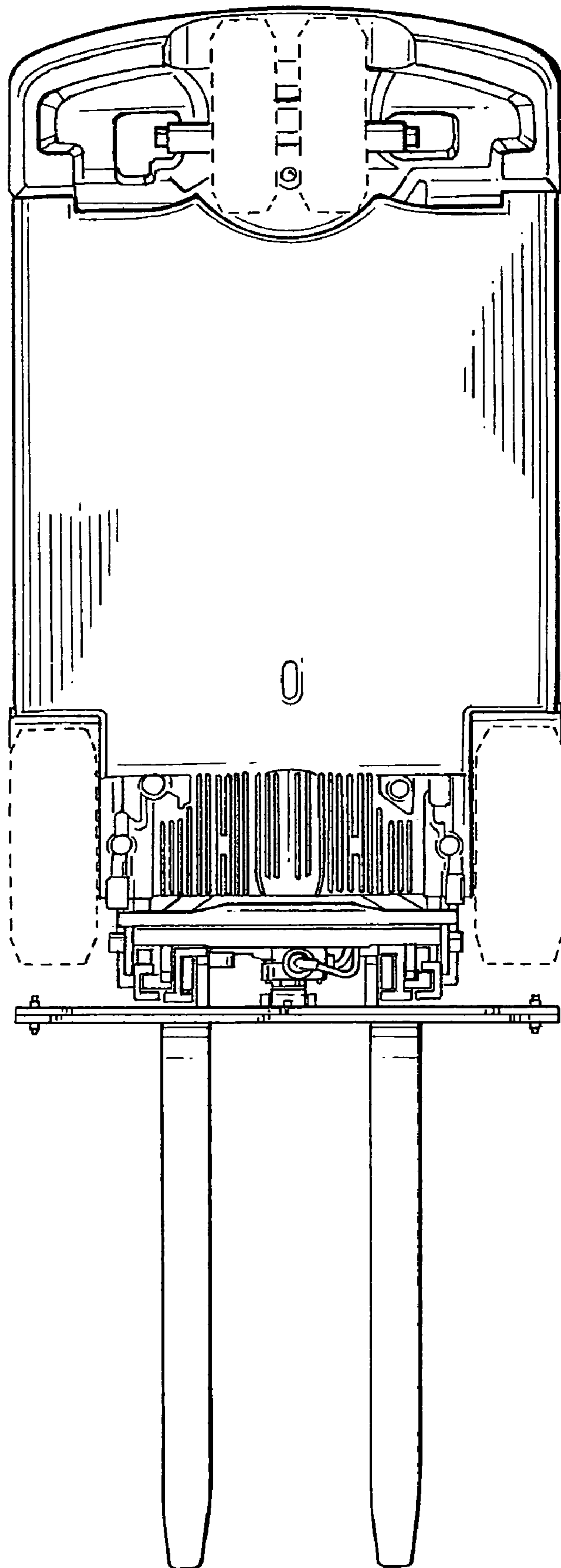


FIG. 8