



US00D612562S

(12) **United States Design Patent**
Henderson

(10) **Patent No.:** **US D612,562 S**
(45) **Date of Patent:** **** Mar. 23, 2010**

(54) **WELDING CART**

(76) Inventor: **Thomas J. Henderson**, 512 Lewis Dr.,
Belton, SC (US) 29627

(**) Term: **14 Years**

(21) Appl. No.: **29/339,907**

(22) Filed: **Jul. 9, 2009**

(51) **LOC (9) Cl.** **12-02**

(52) **U.S. Cl.** **D34/24**

(58) **Field of Classification Search** D34/12-27;
248/99, 129, 95; 280/47.19, 47.26, 47.33;
414/444, 448, 546, 469

See application file for complete search history.

(56) **References Cited**

U.S. PATENT DOCUMENTS

3,471,046	A	10/1969	Hell	
3,479,047	A *	11/1969	Bailey	280/47.19
4,179,132	A *	12/1979	Rich	280/47.26
4,536,123	A	8/1985	Snyder	
4,738,582	A	4/1988	Roberts	
D351,700	S *	10/1994	Uzelman	D34/5
D356,410	S *	3/1995	Cole	D34/15
5,431,422	A	7/1995	Gamache	
5,440,098	A	8/1995	Matus	
5,658,118	A	8/1997	Luca	
D393,131	S *	3/1998	Scandalis	D34/24
D411,361	S *	6/1999	Villarreal	D34/24

5,984,612	A	11/1999	Tatro	
D447,847	S *	9/2001	Shyshka et al.	D34/21
6,406,248	B1	6/2002	McGill et al.	
D463,649	S *	9/2002	Halstead	D34/24
6,715,723	B2 *	4/2004	Zhu	248/129
6,799,769	B2	10/2004	Ziolkowski	
D570,069	S	5/2008	Leonard	
2005/0103950	A1 *	5/2005	Joubert	248/98
2008/0197587	A1 *	8/2008	Nowak	280/30
2008/0224431	A1 *	9/2008	Reinicke	280/47.26

* cited by examiner

Primary Examiner—Cynthia E Ramirez

(57) **CLAIM**

The ornamental design for a welding cart, as shown and claimed.

DESCRIPTION

FIG. 1 is a perspective view of a welding cart showing my new design;

FIG. 2 is a front view thereof;

FIG. 3 is a back view thereof;

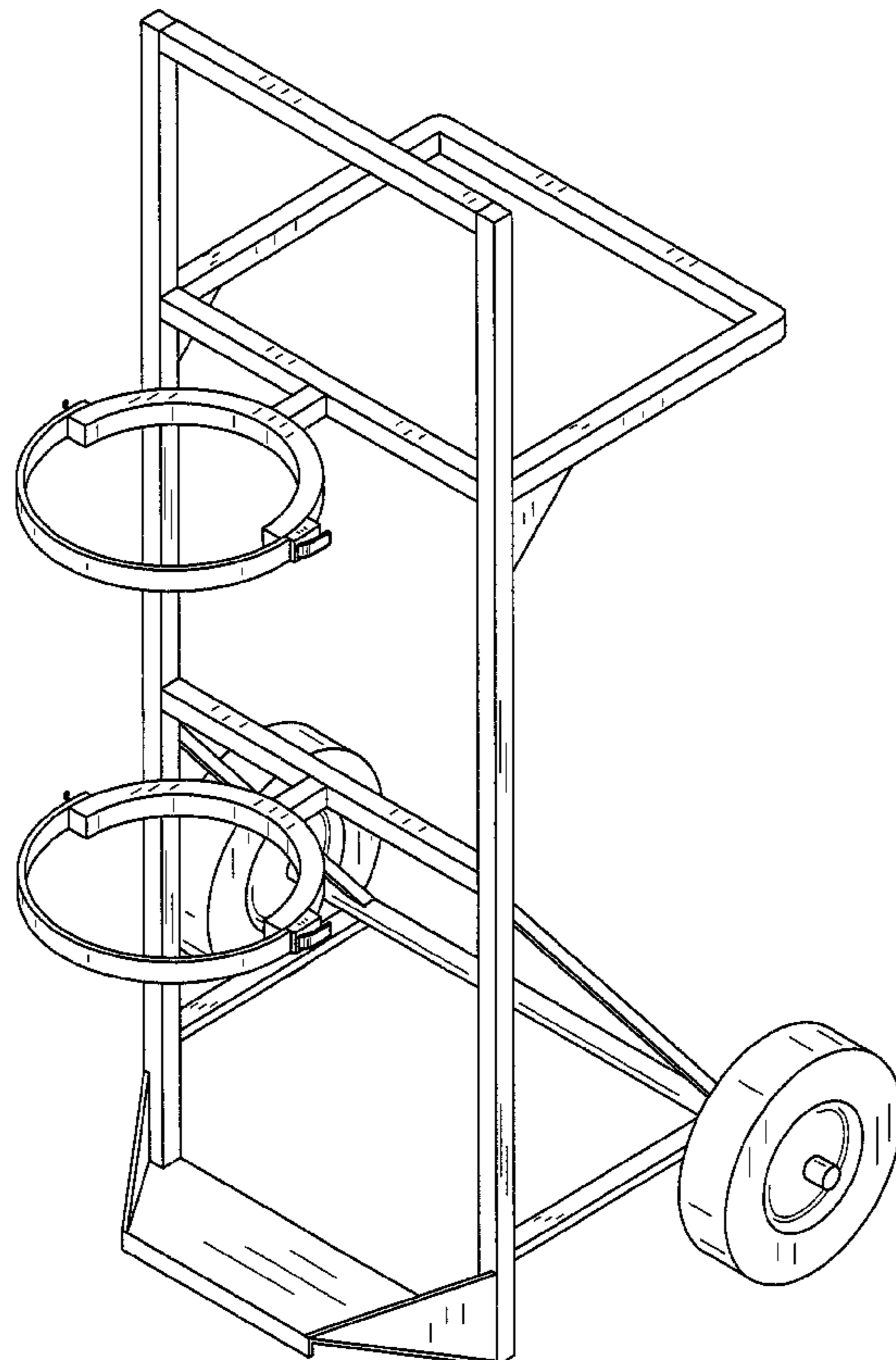
FIG. 4 is a side view thereof;

FIG. 5 is an opposite side image thereof;

FIG. 6 is a top view thereof; and,

FIG. 7 is a bottom view thereof.

1 Claim, 7 Drawing Sheets



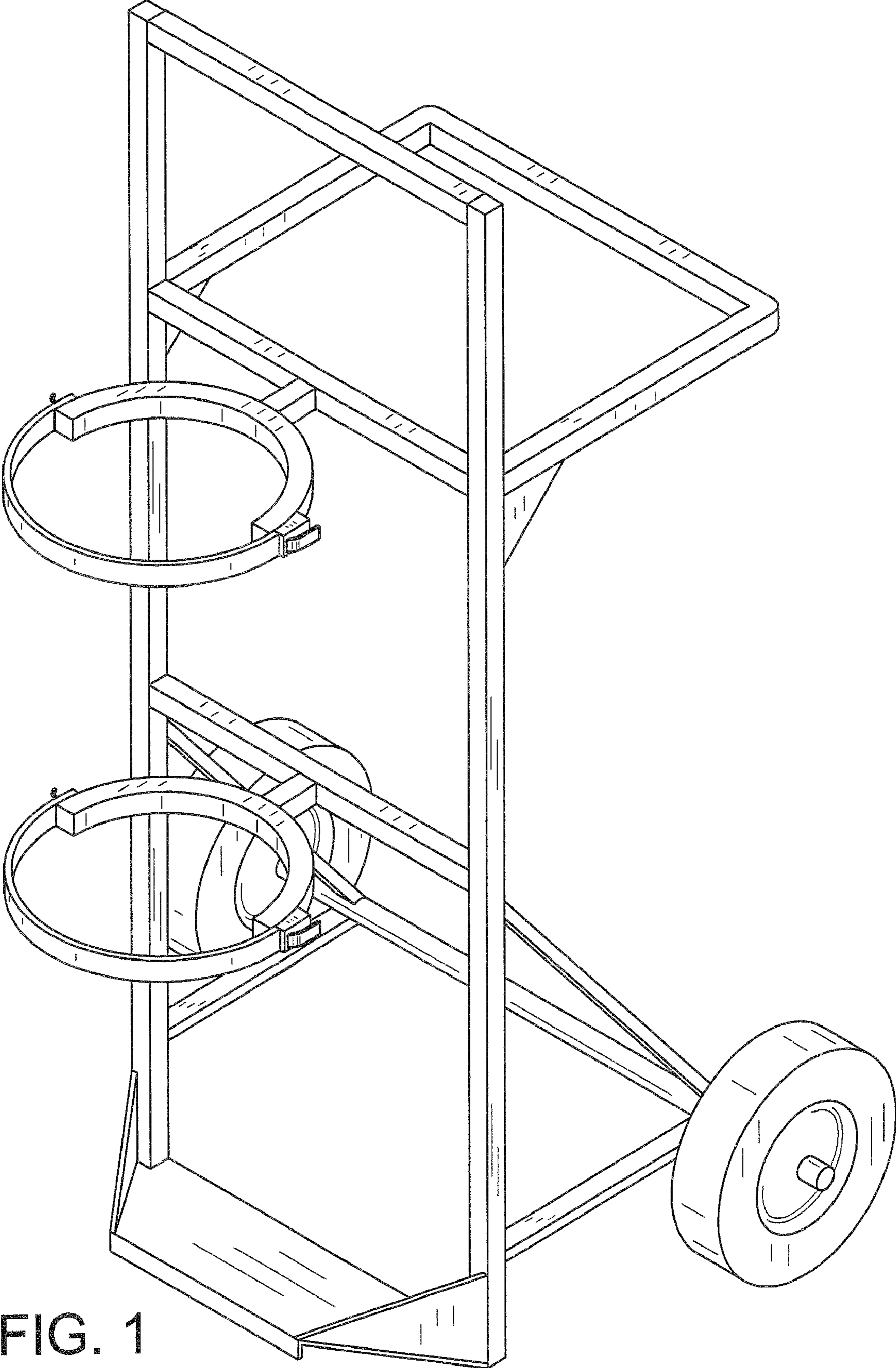


FIG. 1

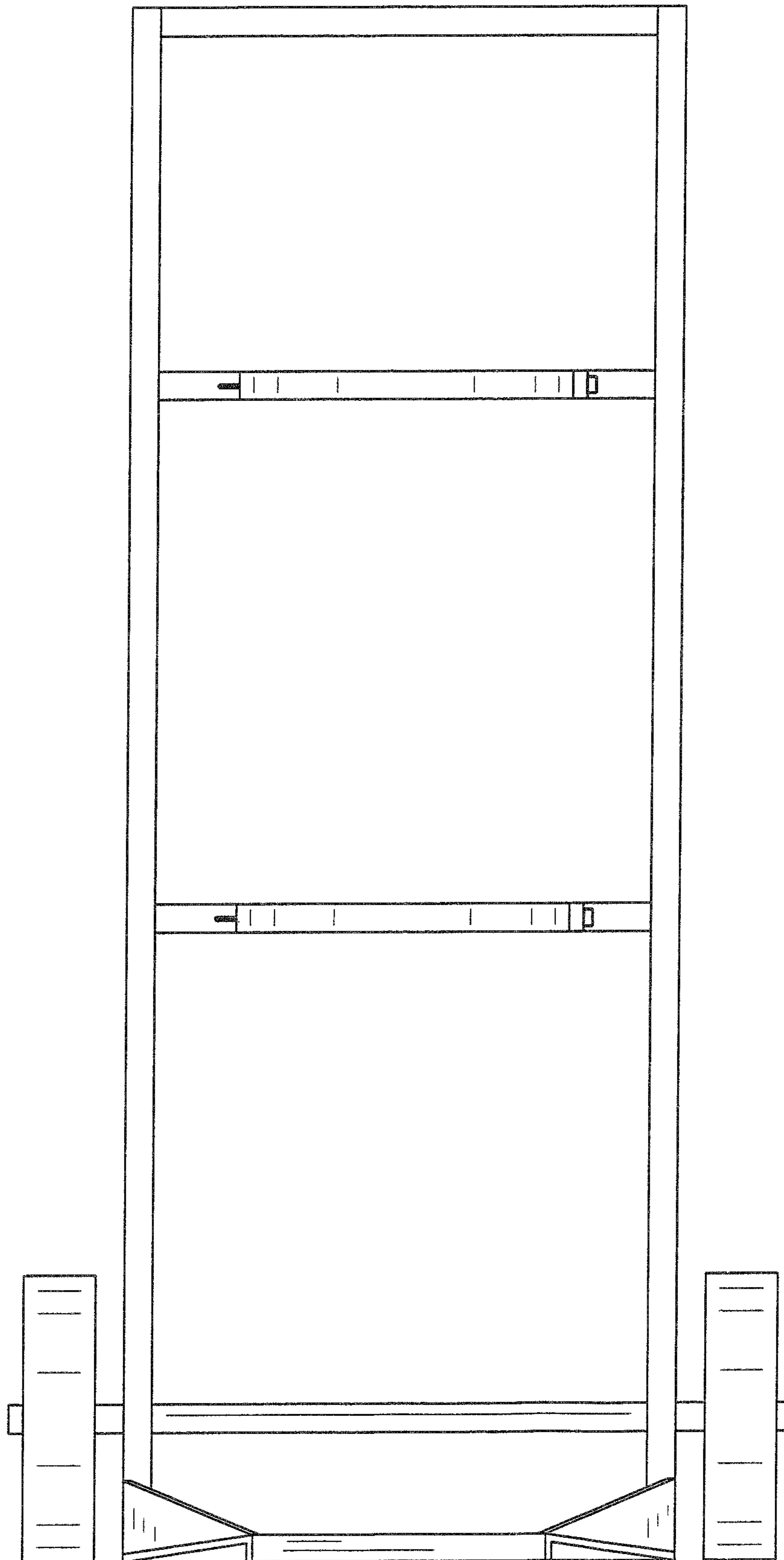


FIG. 2

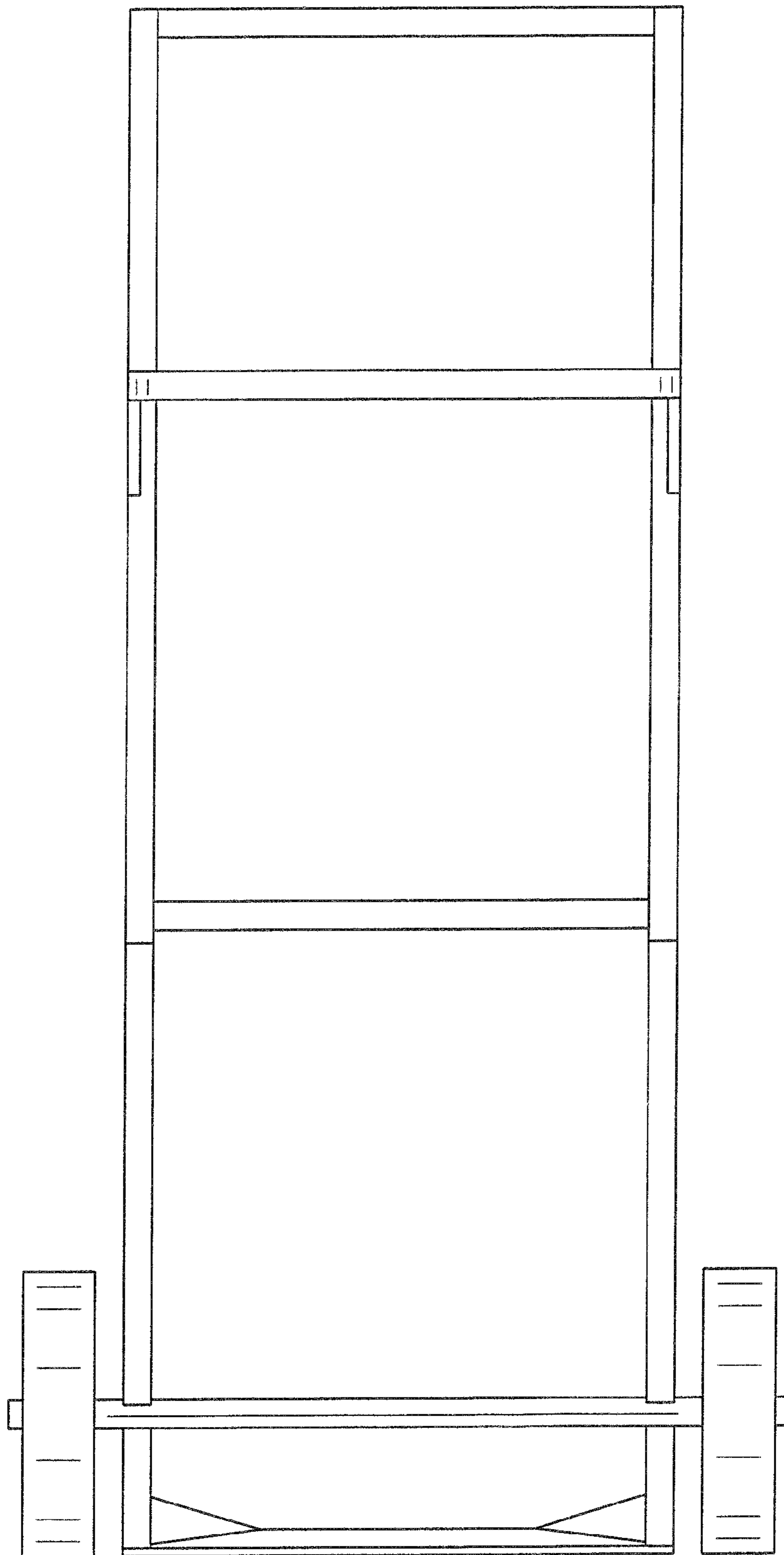


FIG. 3

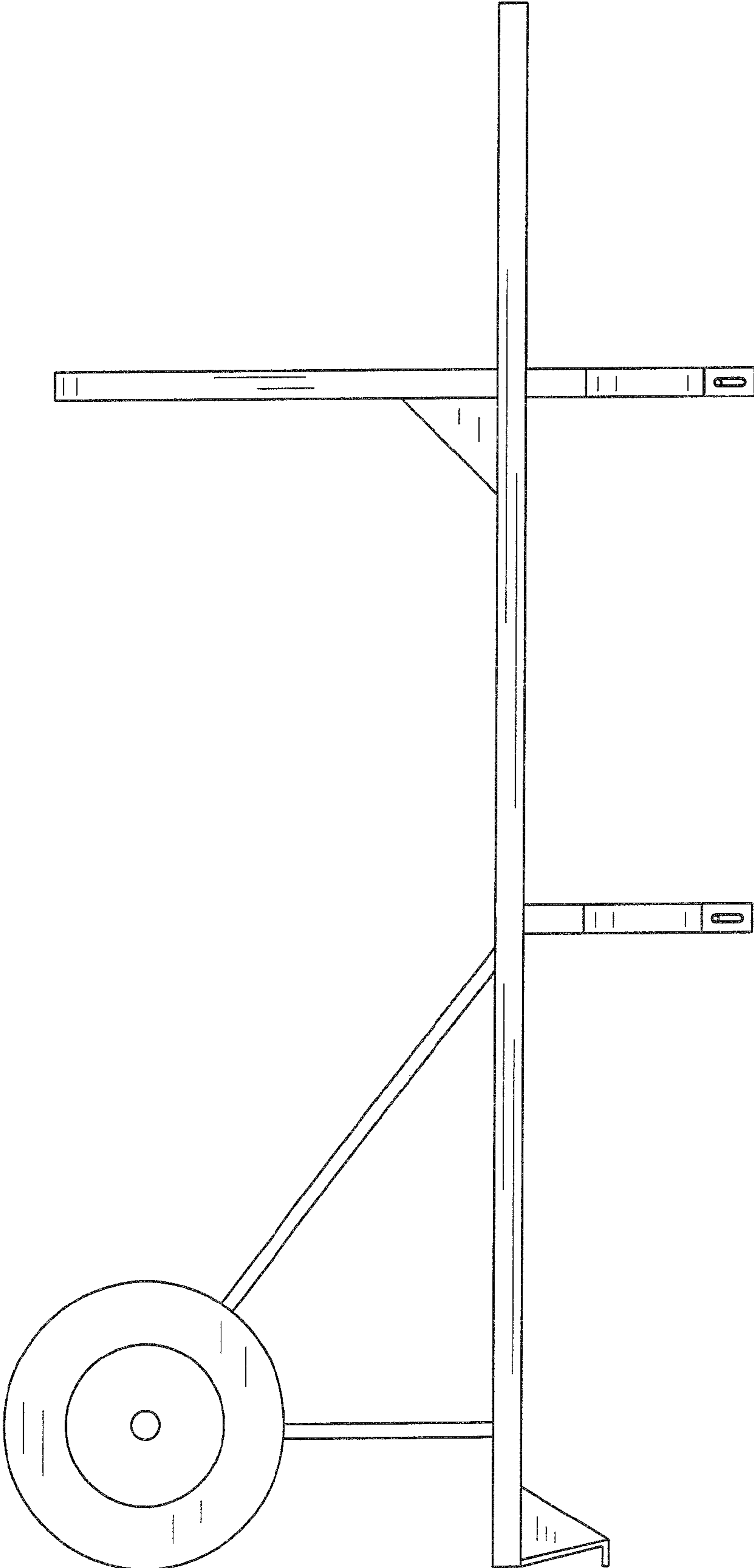


FIG. 4

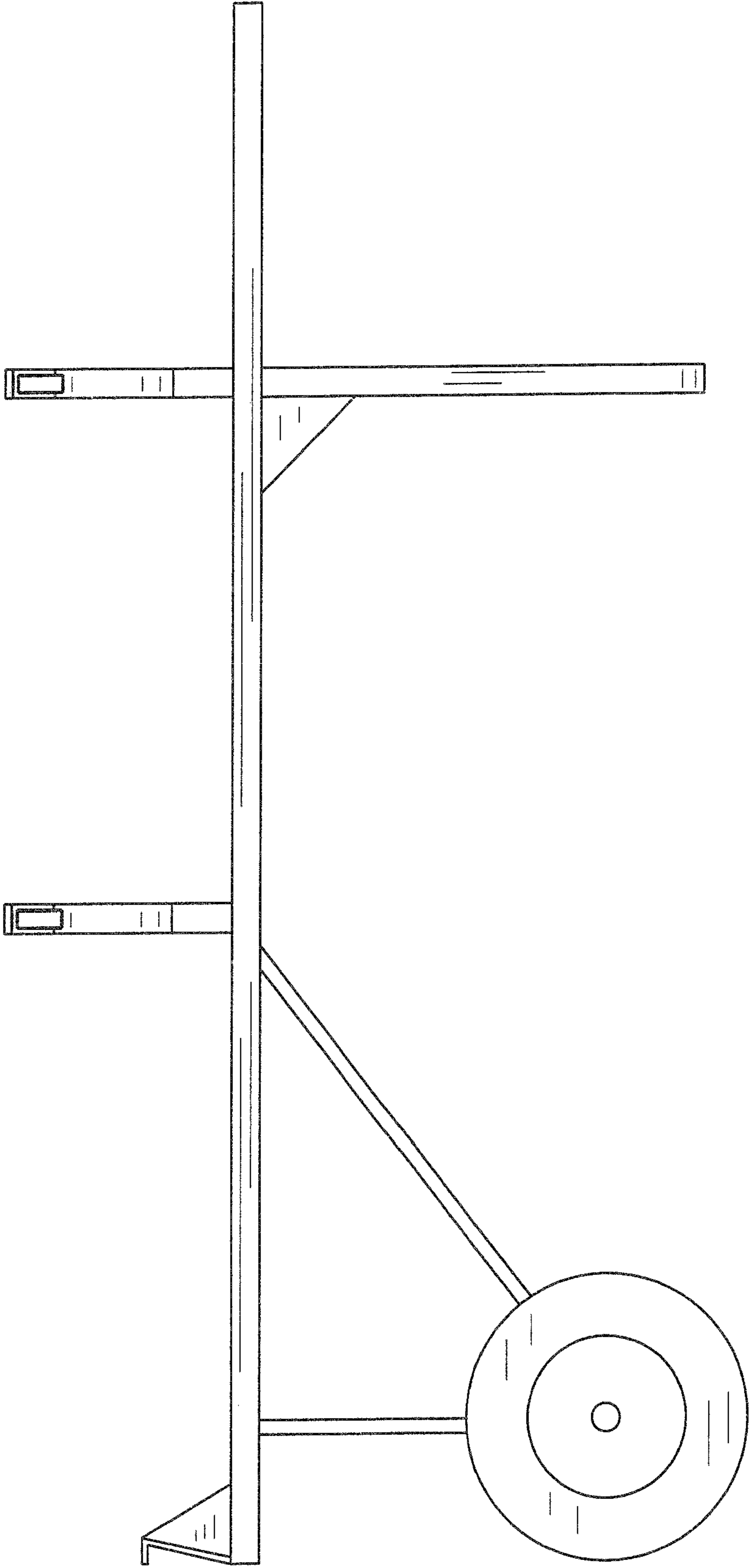


FIG. 5

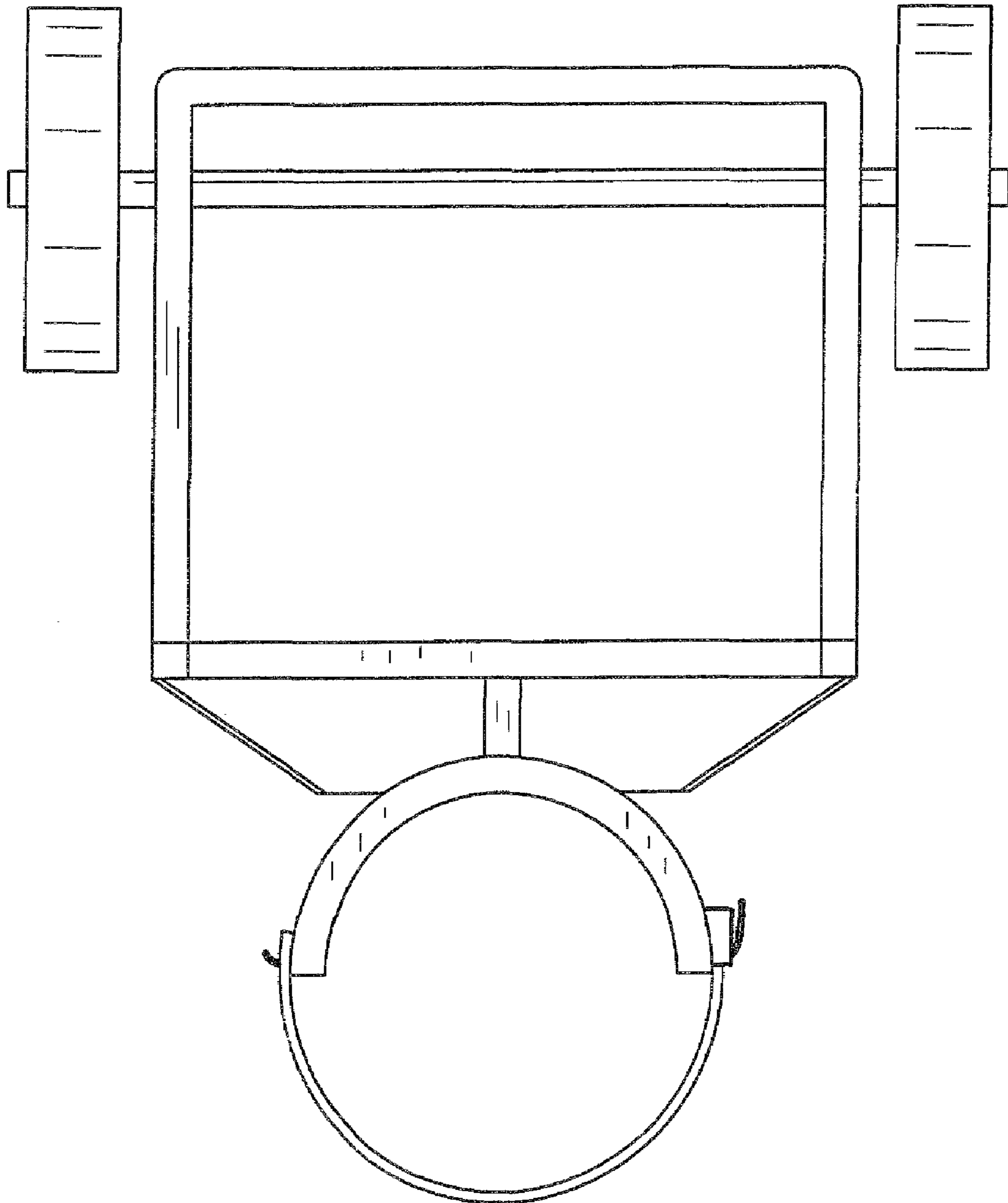


FIG. 6

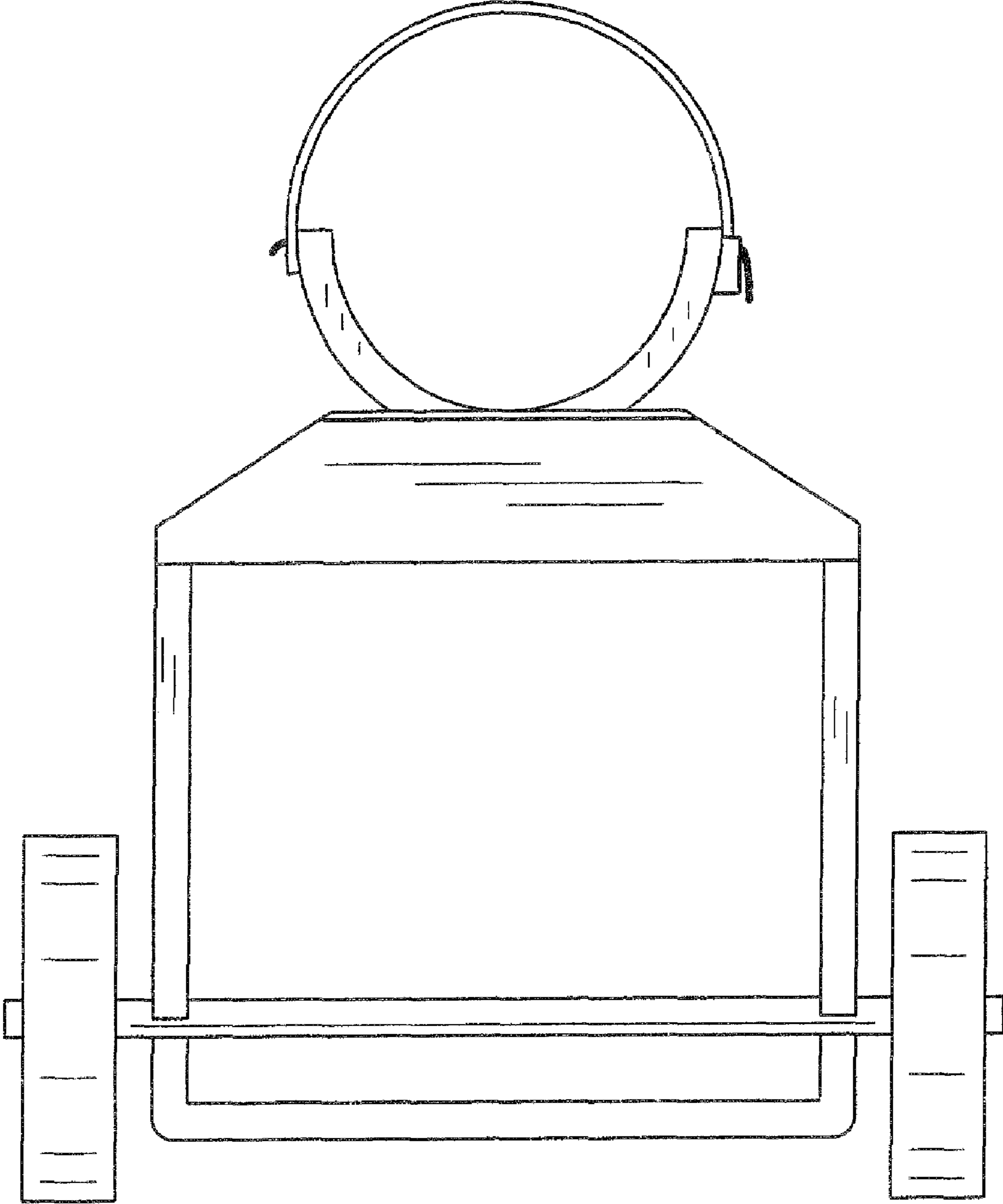


FIG. 7