



US00D612561S

(12) **United States Design Patent**  
**Hunter et al.**

(10) **Patent No.:** **US D612,561 S**  
(45) **Date of Patent:** **\*\* Mar. 23, 2010**

(54) **COMPUTER CART**

(75) Inventors: **Lynne F. Hunter**, Dorr, MI (US);  
**Charles J. Steffens**, Ada, MI (US)

(73) Assignee: **Steffens Enterprises, Inc.**, Caledonia,  
MI (US)

(\*\*) Term: **14 Years**

(21) Appl. No.: **29/339,033**

(22) Filed: **Jun. 23, 2009**

(51) **LOC (9) Cl.** ..... **12-02**

(52) **U.S. Cl.** ..... **D34/14**

(58) **Field of Classification Search** ..... D34/12-27;  
280/47.34, 79.3, 47.35, 47.26; 248/129,  
248/174; D6/426, 422, 436, 460; 108/150.01,  
108/7, 59; D24/185

See application file for complete search history.

(56) **References Cited**

**U.S. PATENT DOCUMENTS**

D517,768 S *	3/2006	Arceta	.....	D34/14
D518,267 S *	3/2006	Arceta	.....	D34/14
D536,151 S *	1/2007	Rossini et al.	.....	D34/12
D548,918 S *	8/2007	Nussberger	.....	D34/17
D553,324 S *	10/2007	Lieblein	.....	D34/14

**OTHER PUBLICATIONS**

“PC700-LP” Point of Care Cart by AFC Industries, Inc.  
“NX10” Workstation Cart by Artromick.

“Lite” Laptop Cart by Enovate.

“Medical LCD” Cart by Enovate.

“Flo 1760” Mobile Workstation Cart by Emersion.

“T5” Medical Computer Cart by Humanscale.

“Ultra ZXP” Computer Cart by InfoLogix and Jaco.

“UltraLite Rx” Medication Cart by InfoLogix and Jaco.

Computer Cart by Rubbermaid.

\* cited by examiner

*Primary Examiner*—Cynthia E Ramirez

(74) *Attorney, Agent, or Firm*—Warner Norcross & Judd LLP

(57) **CLAIM**

The ornamental design for a computer cart, as shown and described.

**DESCRIPTION**

FIG. 1 is a front perspective view of a computer cart embodying the new design;

FIG. 2 is a right side view thereof;

FIG. 3 is a left side thereof;

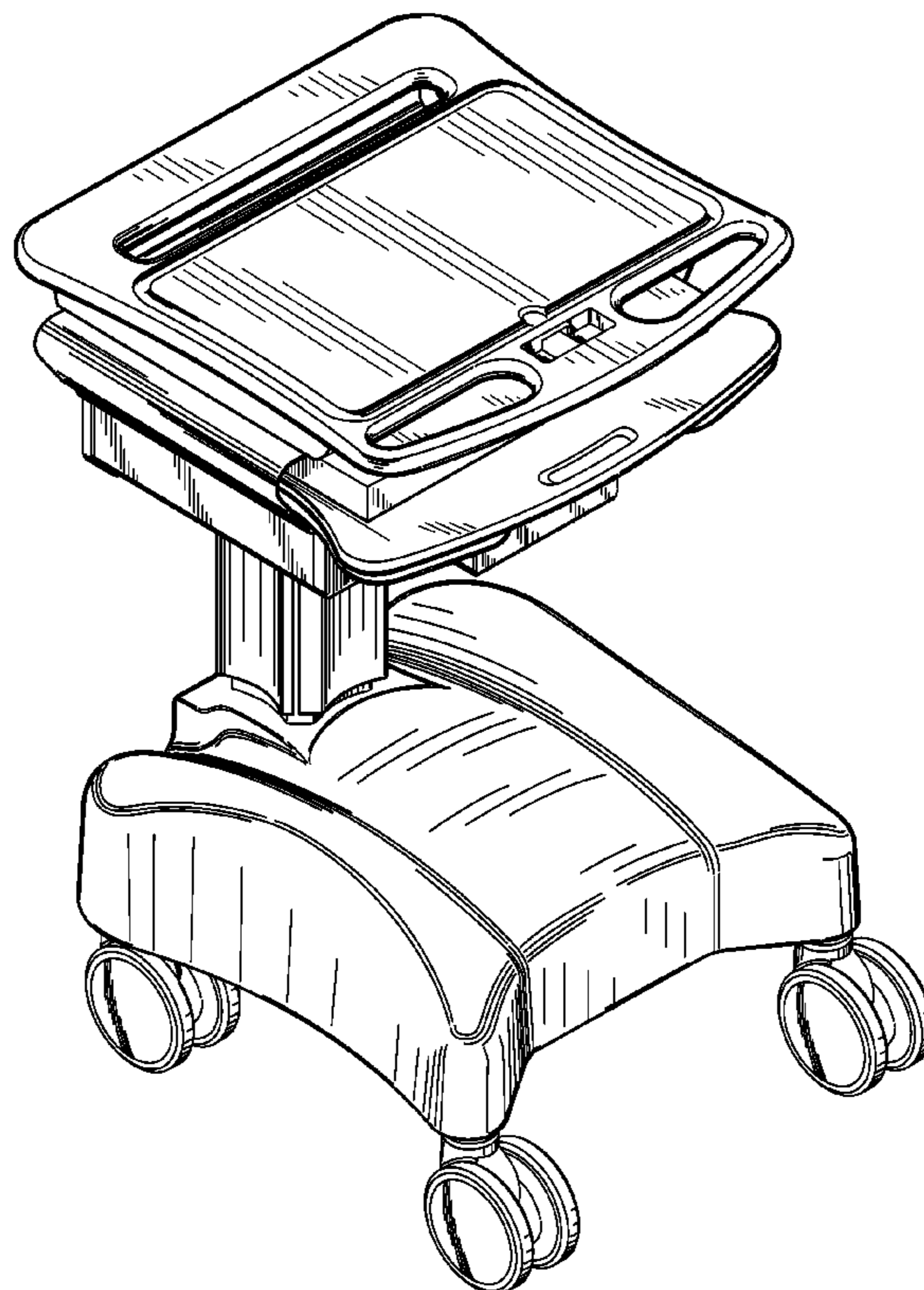
FIG. 4 is a front view thereof;

FIG. 5 is a rear view thereof;

FIG. 6 is a top view thereof; and,

FIG. 7 is a bottom view thereof.

**1 Claim, 4 Drawing Sheets**



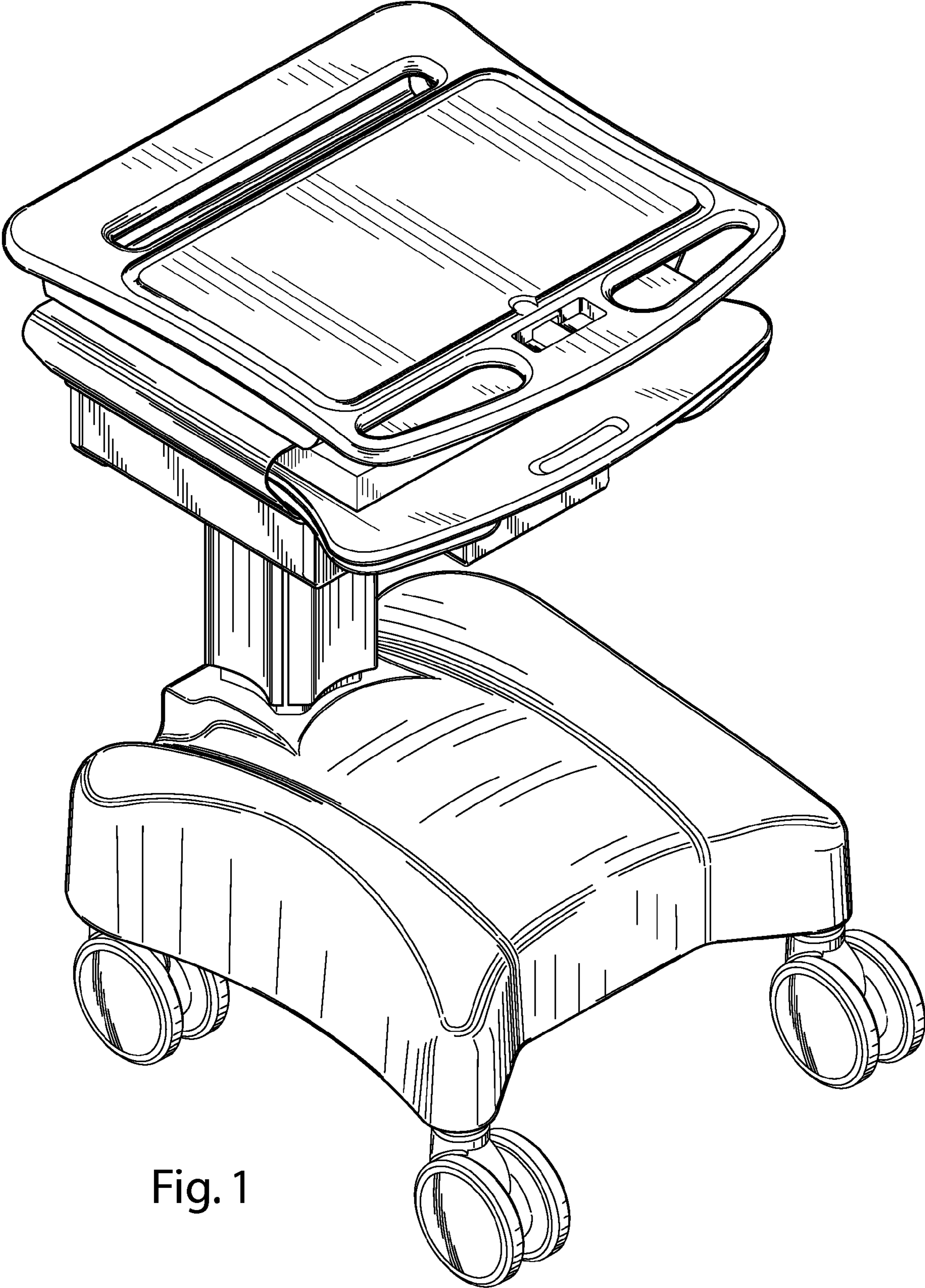


Fig. 1

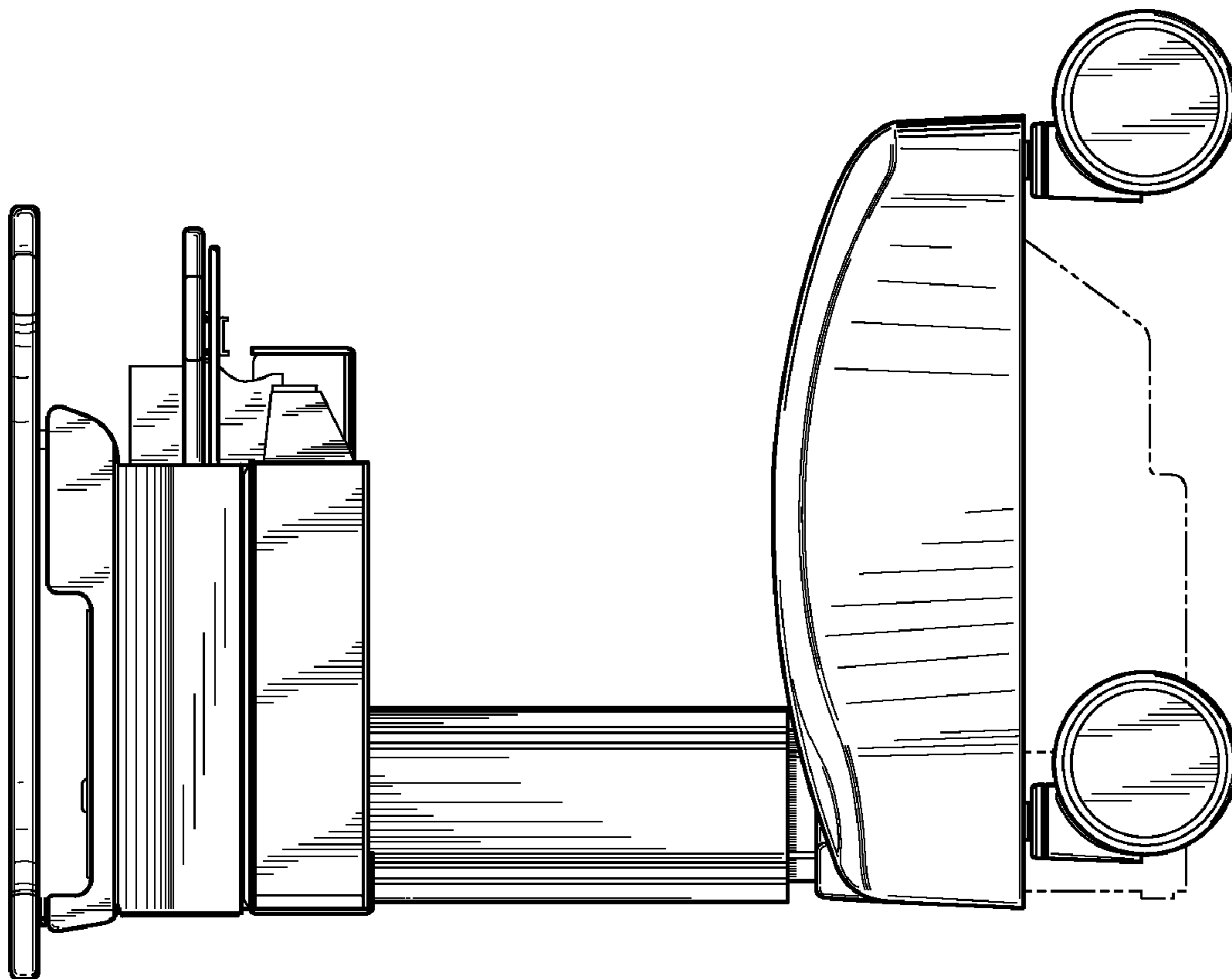


Fig. 3

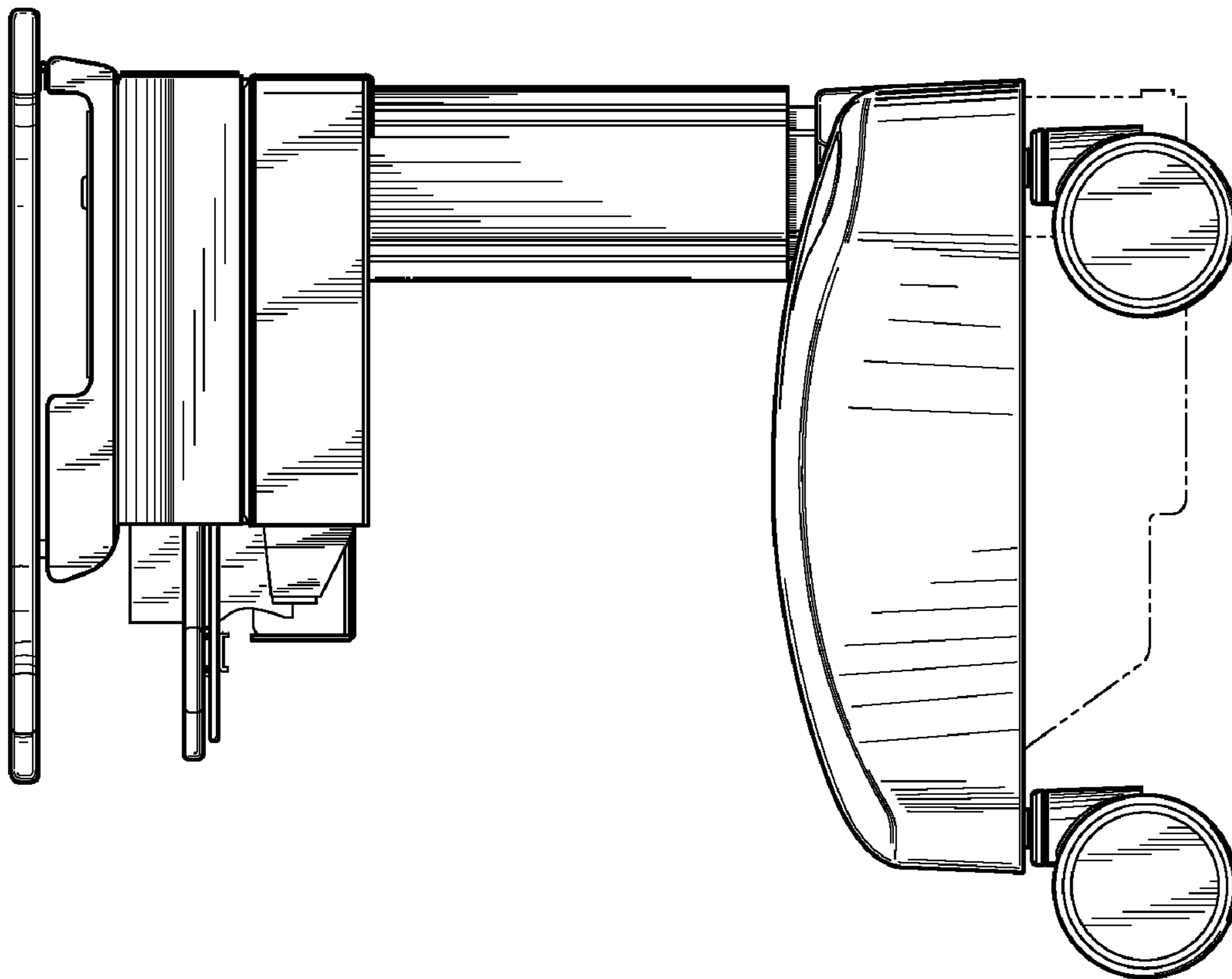


Fig. 2

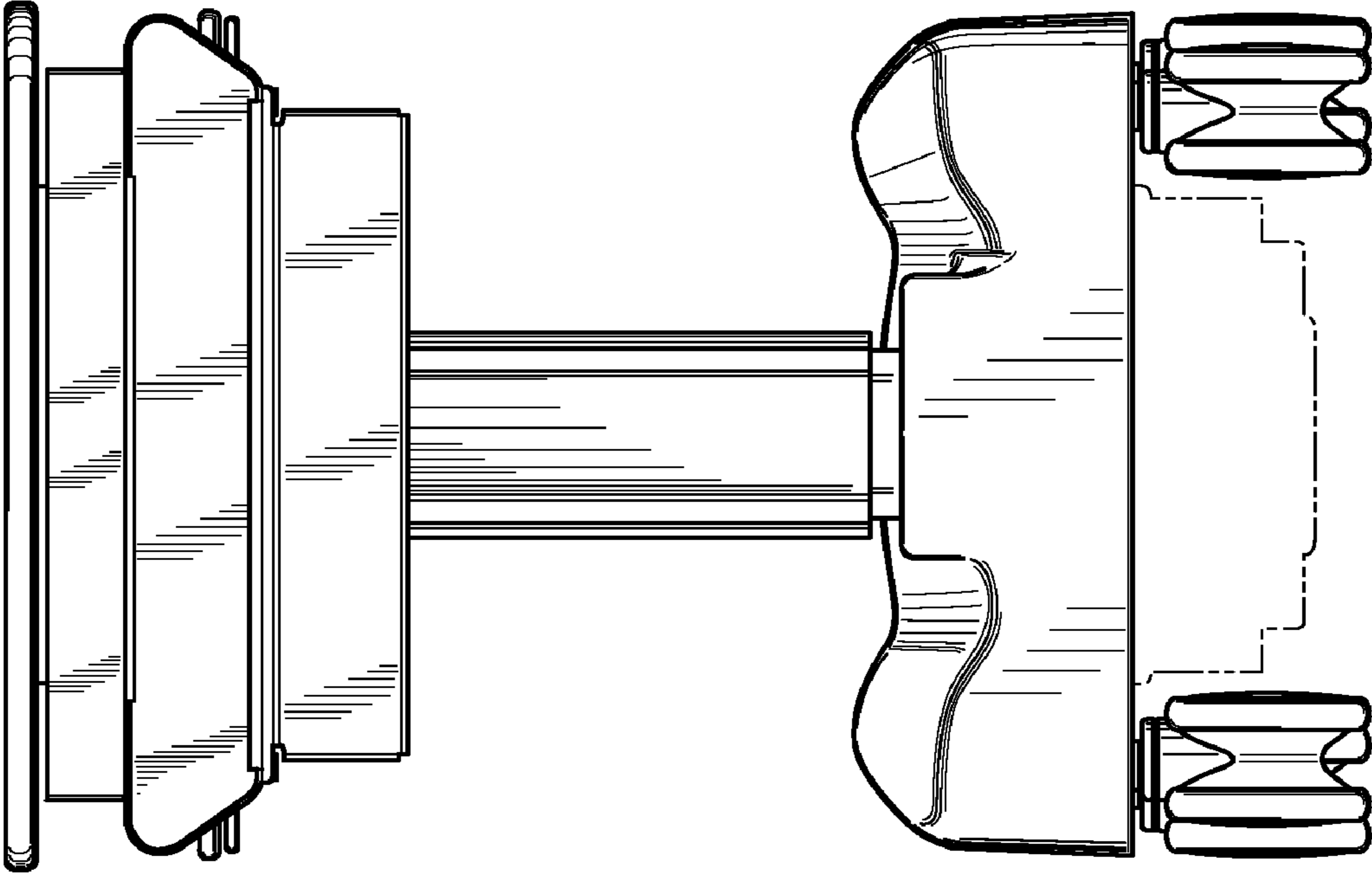


Fig. 5

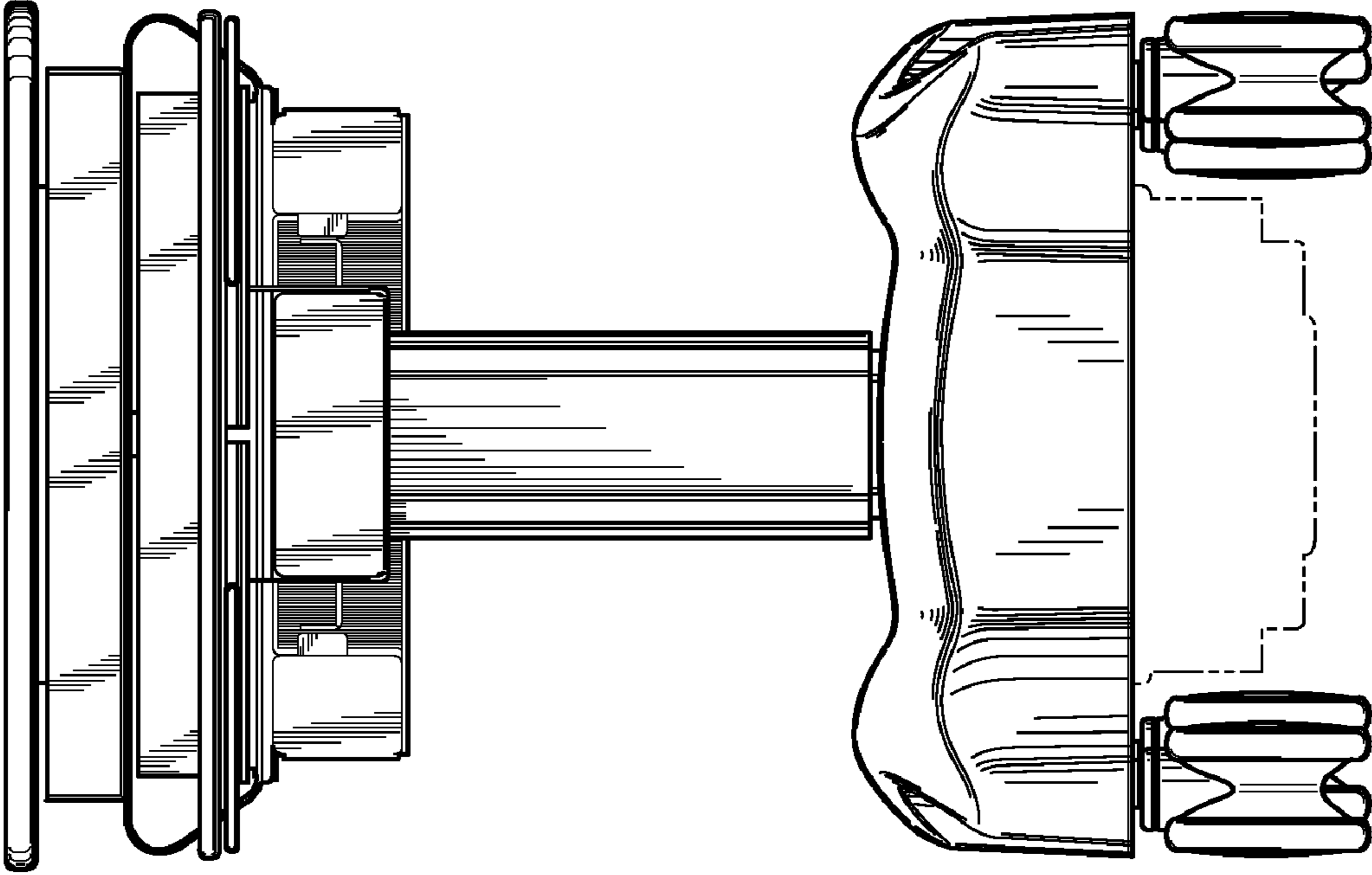


Fig. 4

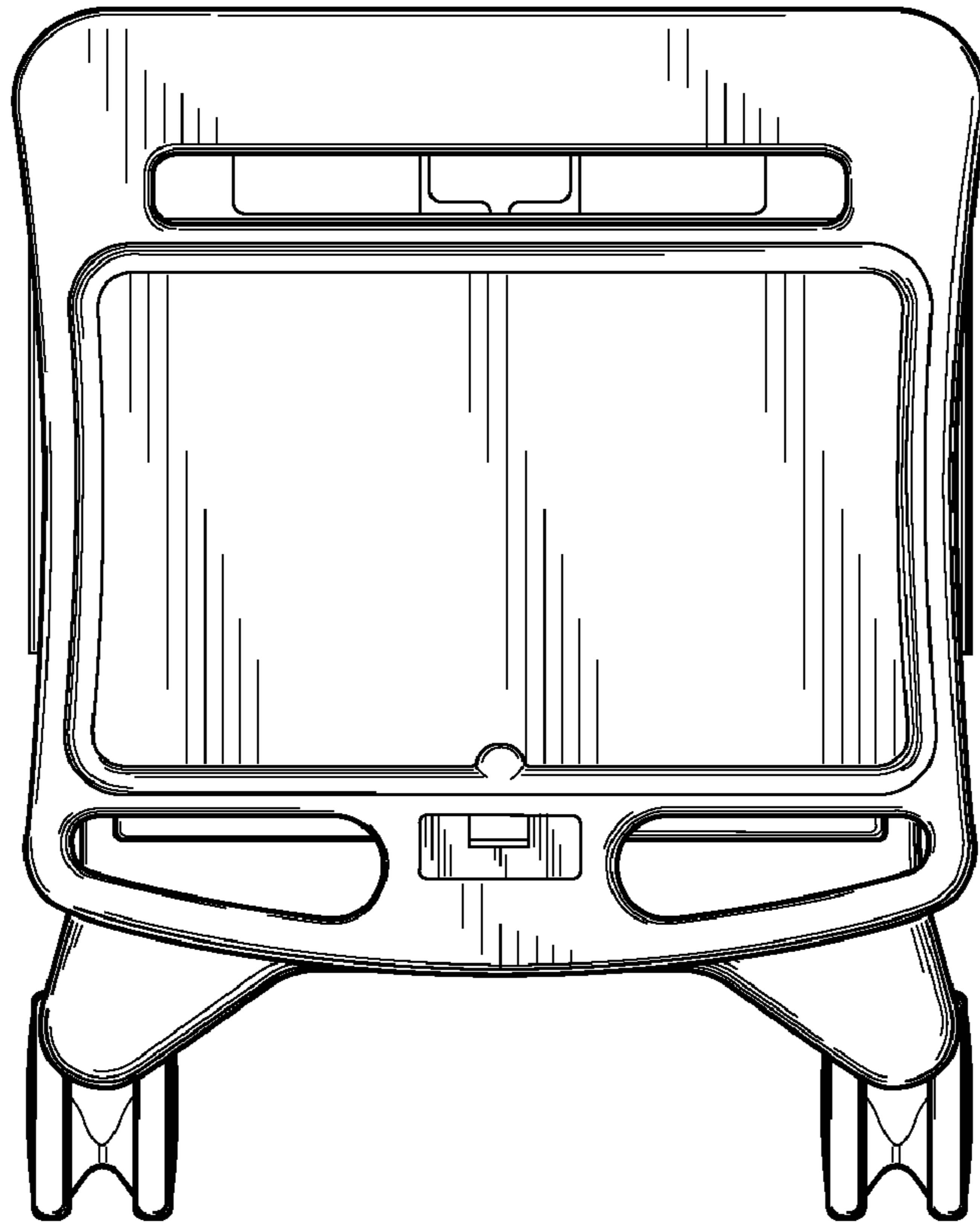


Fig. 6

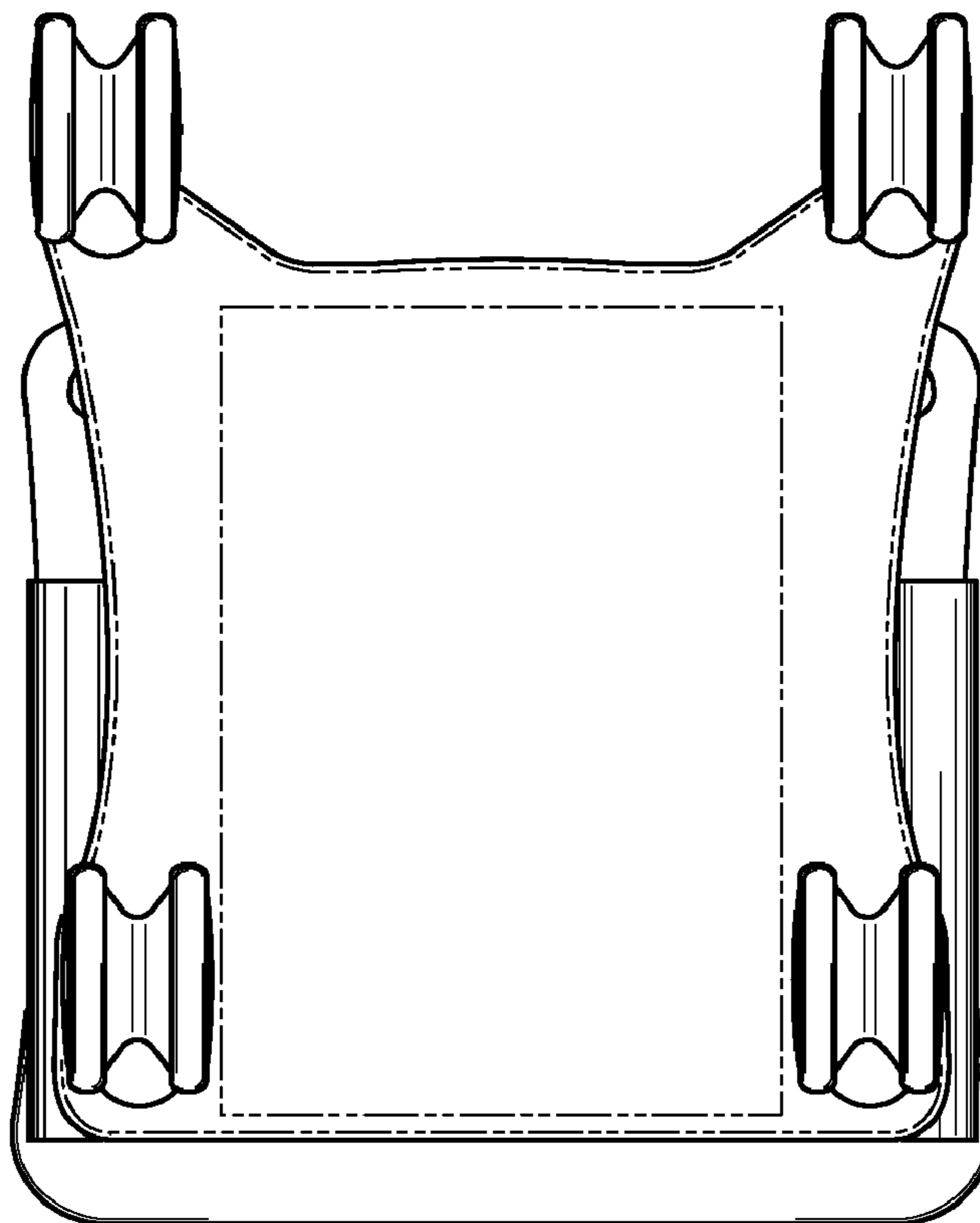


Fig. 7