



US00D612560S

(12) **United States Design Patent**  
**Moore**

(10) **Patent No.:** **US D612,560 S**

(45) **Date of Patent:** **\*\* \*Mar. 23, 2010**

(54) **SINGLE ANIMAL RESISTANT TRASH RECEPTACLE**

(75) Inventor: **David E. Moore**, Temecula, CA (US)

(73) Assignee: **Compumeric Engineering, Inc.**,  
Ontario, CA (US)

(\*\*) Term: **14 Years**

(21) Appl. No.: **29/334,920**

(22) Filed: **Apr. 3, 2009**

(51) **LOC (9) Cl.** ..... **09-09**

(52) **U.S. Cl.** ..... **D34/7**

(58) **Field of Classification Search** ..... D34/1,  
D34/5, 6, 7, 8, 9, 10, 11; 220/908-913  
See application file for complete search history.

(56) **References Cited**

**U.S. PATENT DOCUMENTS**

4,319,762	A *	3/1982	Streit et al.	.....	280/79.2
D389,631	S *	1/1998	Peters	.....	D34/1
D507,687	S *	7/2005	Moon et al.	.....	D34/7
D537,223	S *	2/2007	Lin	.....	D34/7
D538,995	S *	3/2007	Lin	.....	D34/7
D545,374	S *	6/2007	Gollob	.....	D20/6
D558,947	S *	1/2008	Gardner et al.	.....	D34/7
D566,921	S *	4/2008	Skalka	.....	D34/1
D587,874	S *	3/2009	Lin	.....	D34/7
2007/0046032	A1	3/2007	Moore		

**OTHER PUBLICATIONS**

“Bear Resistant Trash Enclosures”, Bear Saver, <http://web.archive.org/web/20080402133700/www.bearsaver.com/TrashEnclosures>.

htm; downloaded from web.archive from Feb 16, 2008.  
“Bear Resistant Recycling Enclosures”, Bear Saver, <http://web.archive.org/web/20080318222229/www.bearsaver.com/RecyclingEnclosures.htm>, downloaded from web.archive from Feb 16, 2008.  
“Non Bear Resistant Trash & Recycling Enclosures,” Bear Saver, <http://web.archive.org/web/20080219235907/www.bearsaver.com/TrashAndRecycling.htm>, downloaded from web.archive from Feb 16, 2008.

\* cited by examiner

*Primary Examiner*—Cynthia E Ramirez

(74) *Attorney, Agent, or Firm*—Knobbe, Martens, Olson & Bear, LLP

(57) **CLAIM**

The ornamental design for a single animal resistant trash receptacle, as shown and described.

**DESCRIPTION**

FIG. 1 is a perspective view of the single animal resistant trash receptacle;

FIG. 2 is a front elevational view thereof;

FIG. 3 is a rear elevational view thereof;

FIG. 4 is a first side elevational view thereof;

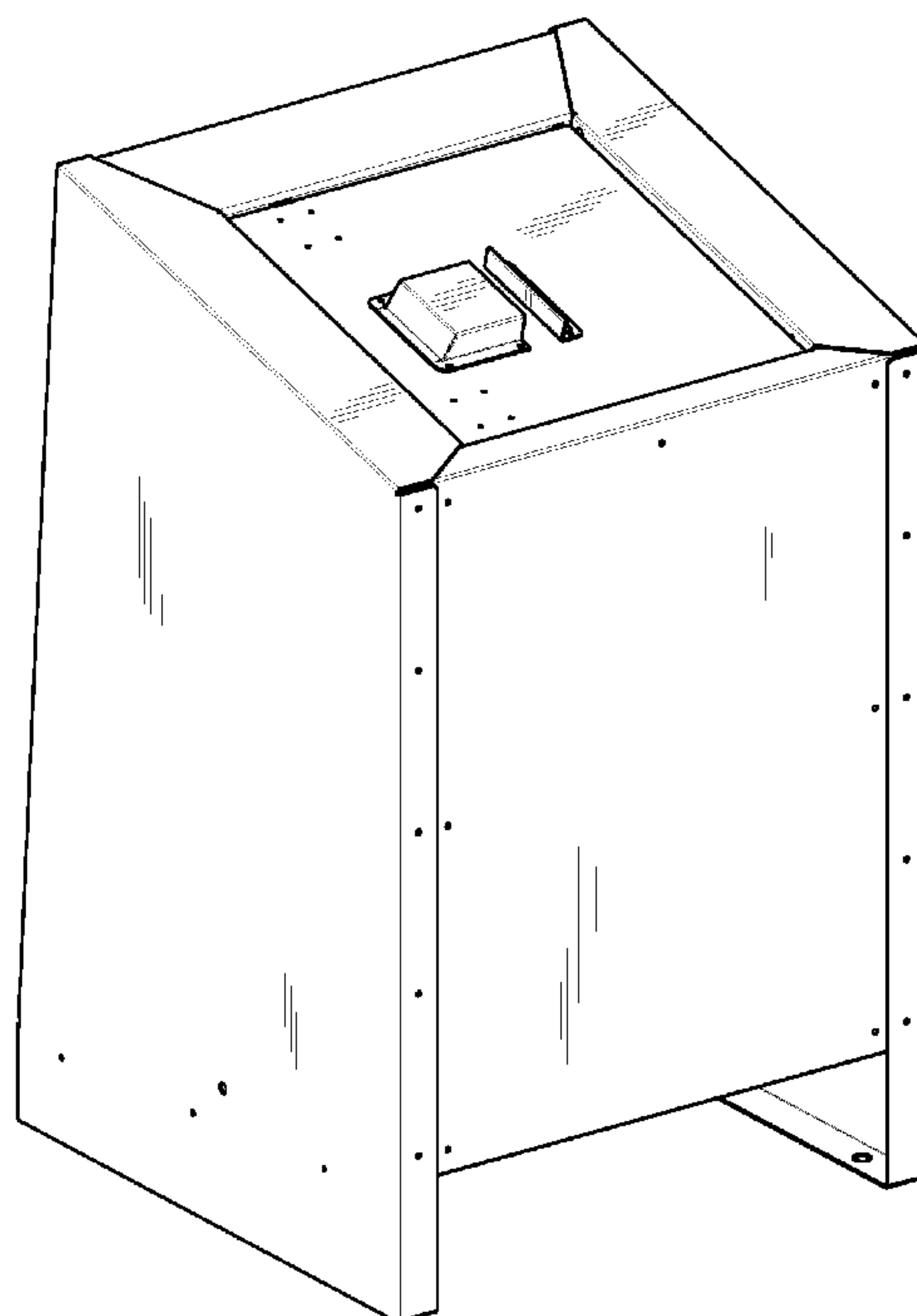
FIG. 5 is a second side elevational view thereof;

FIG. 6 is a top plan view thereof;

FIG. 7 is a bottom plan view thereof; and,

FIG. 8 is a perspective view thereof showing an access door in an open configuration.

**1 Claim, 7 Drawing Sheets**



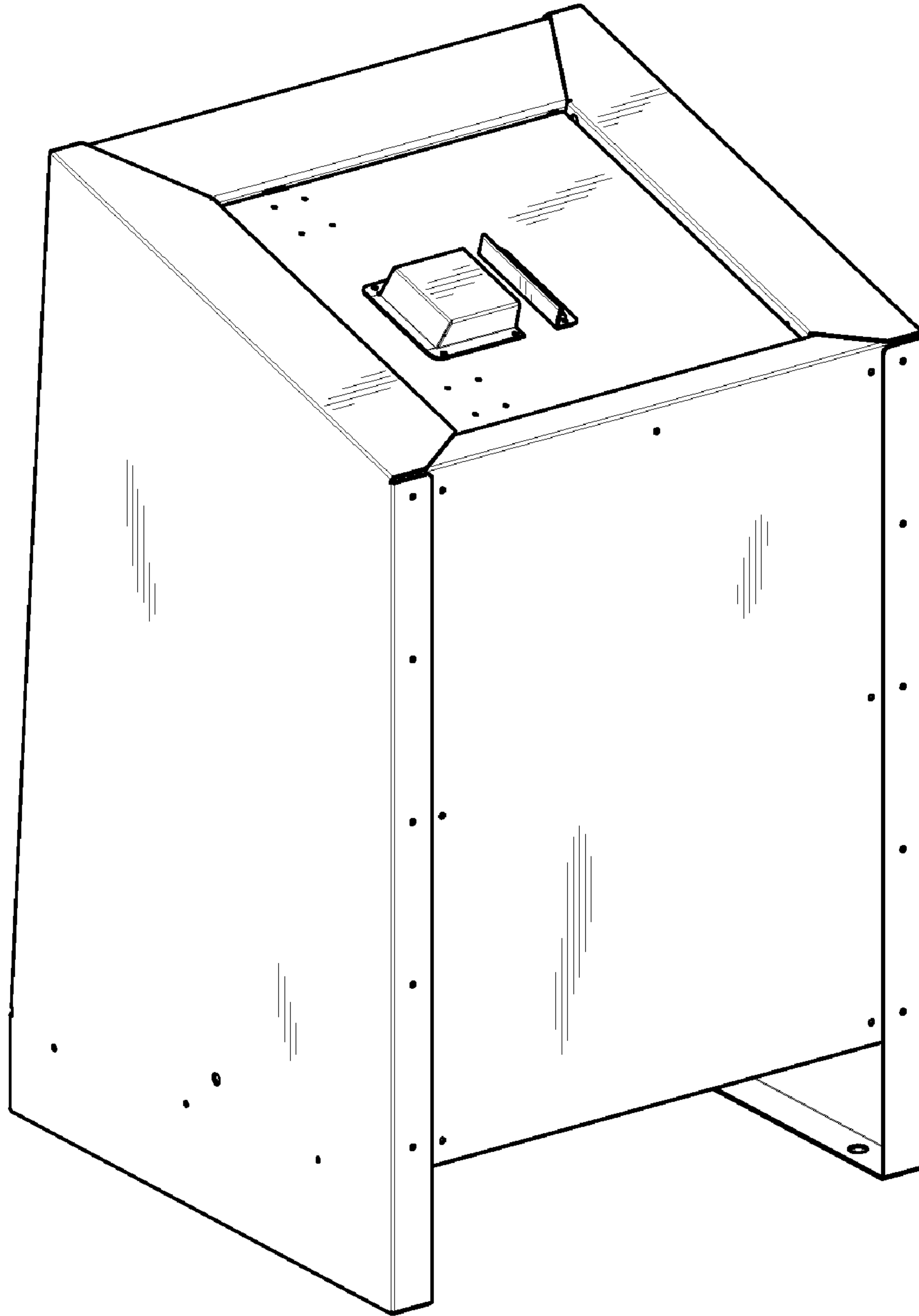


FIG. 1

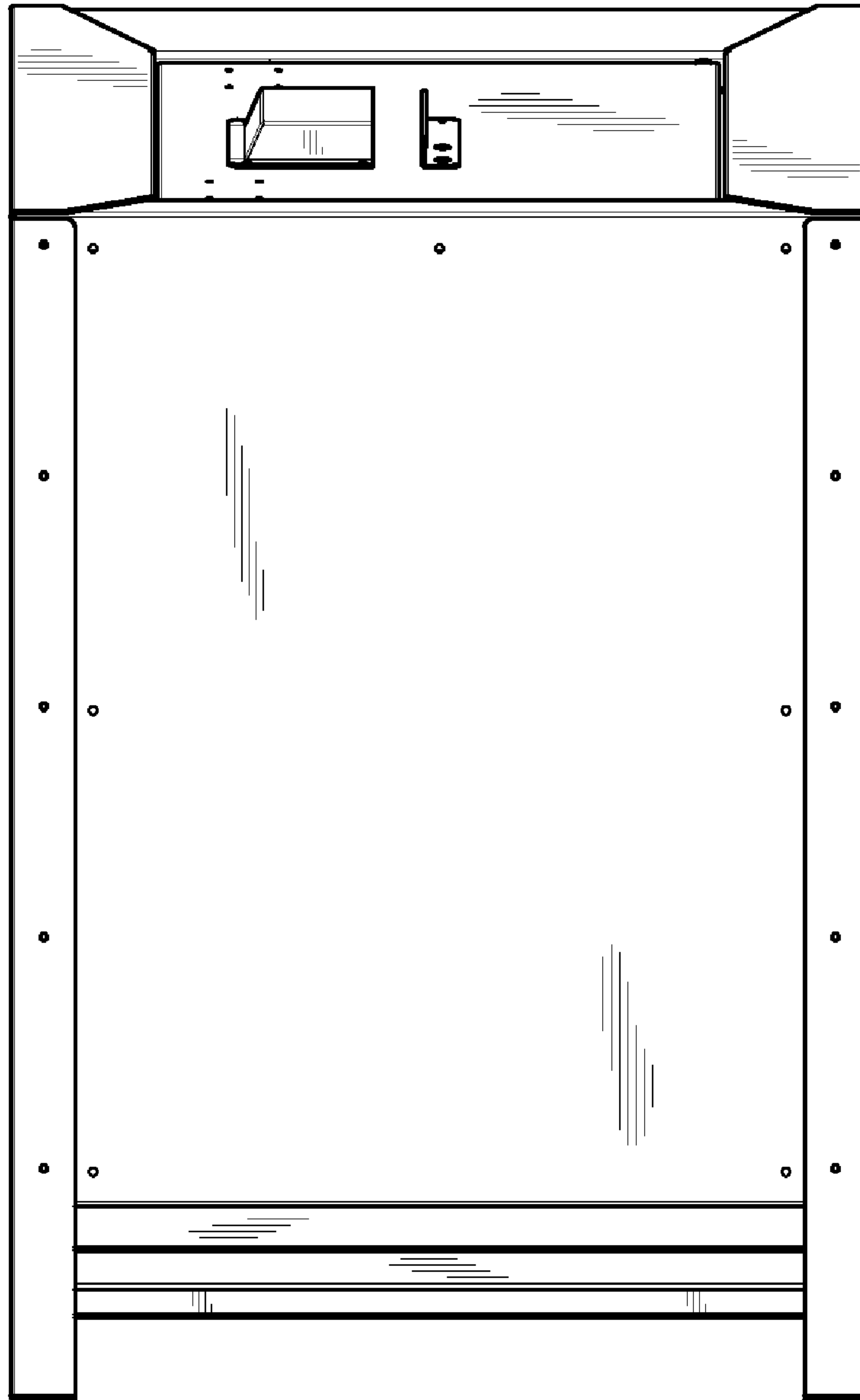


FIG. 2

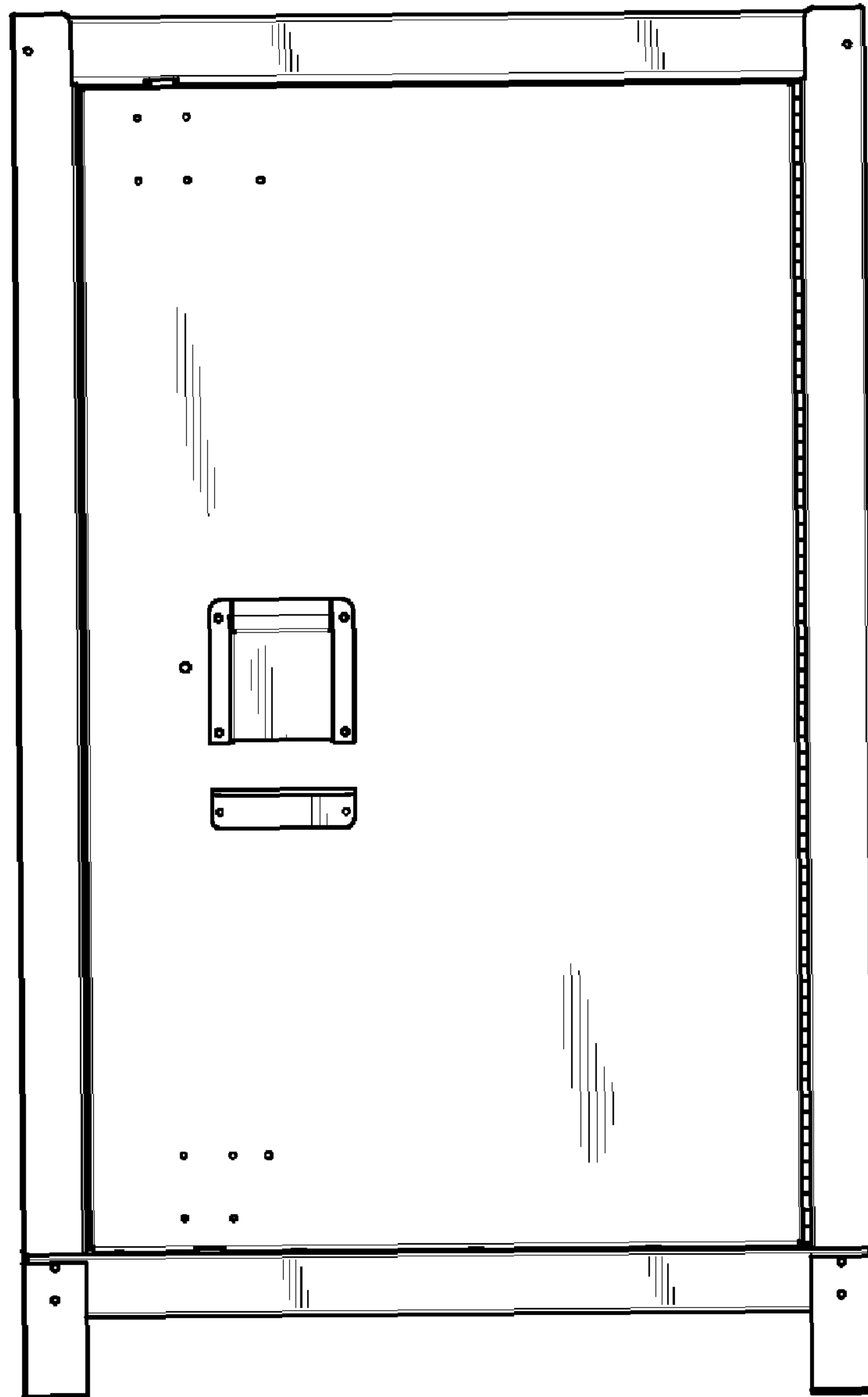


FIG. 3

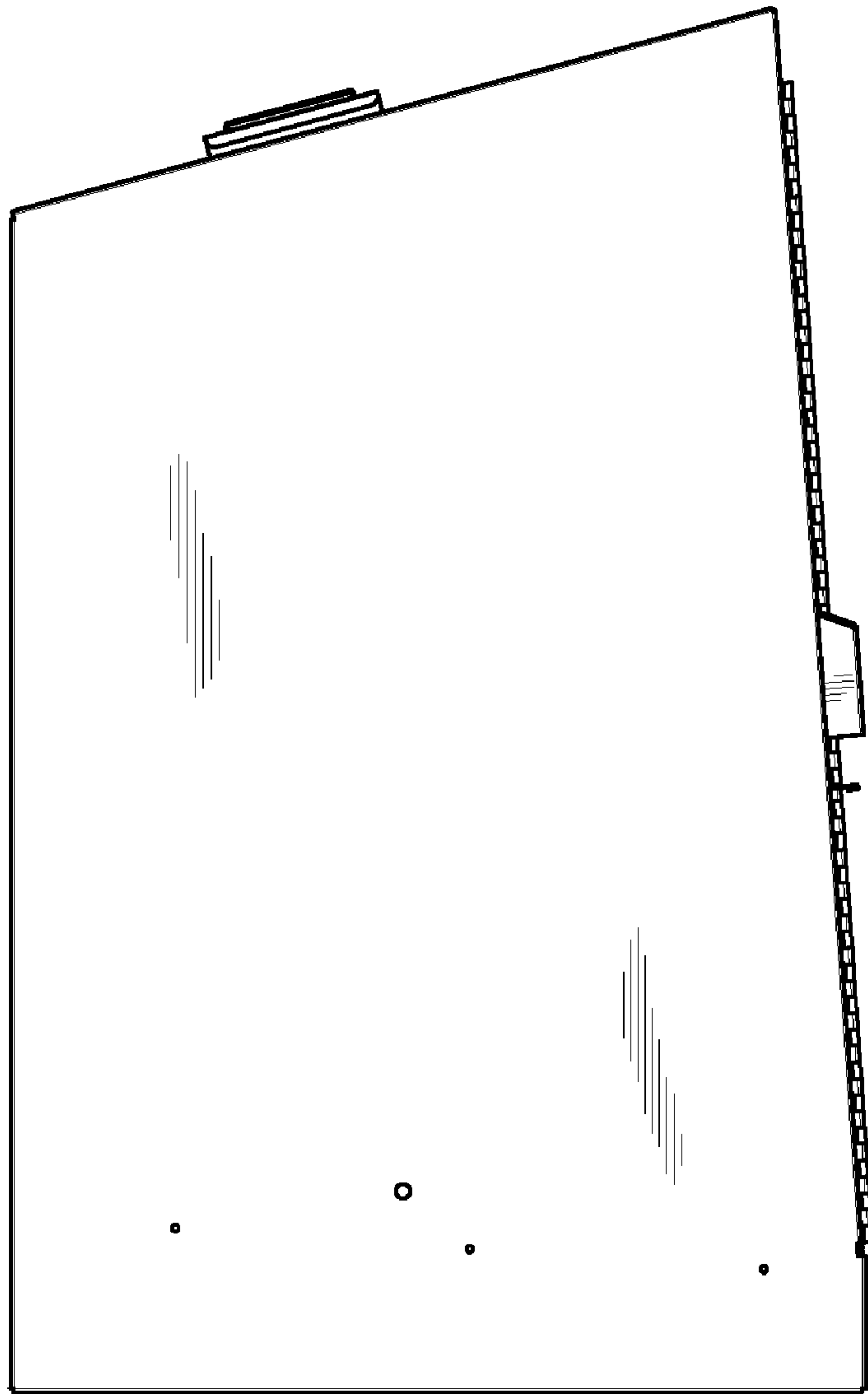


FIG. 4

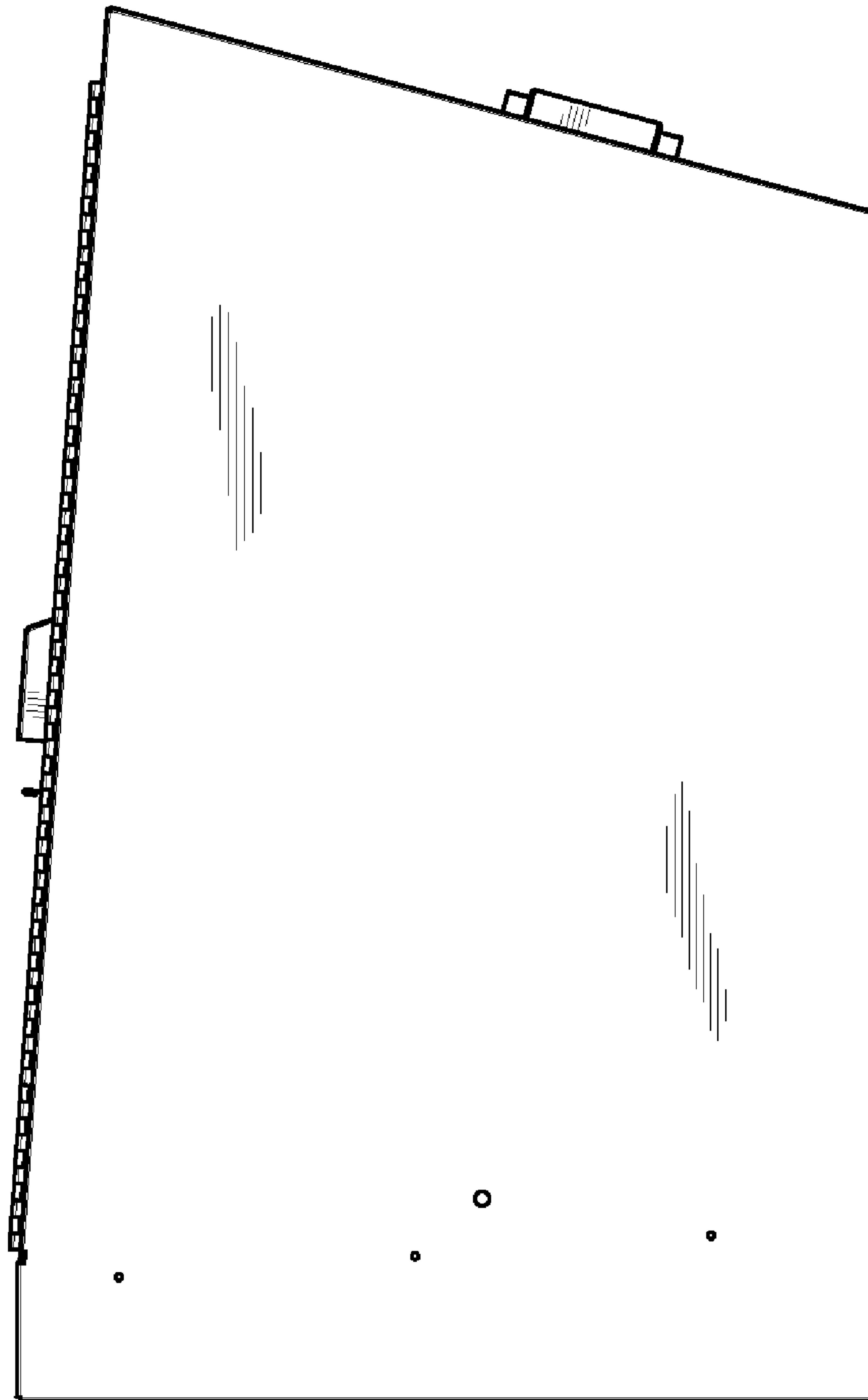


FIG. 5

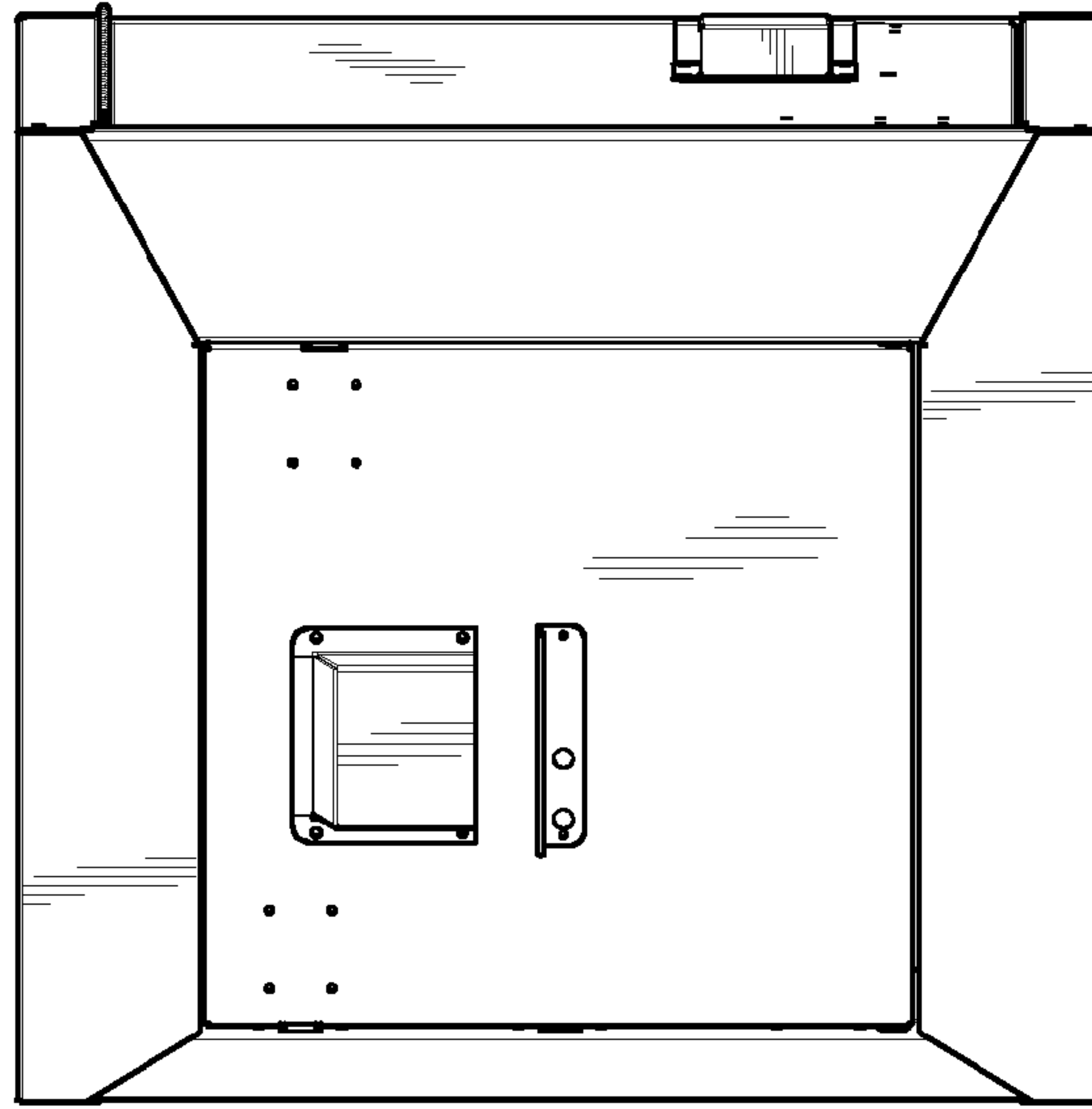


FIG. 6

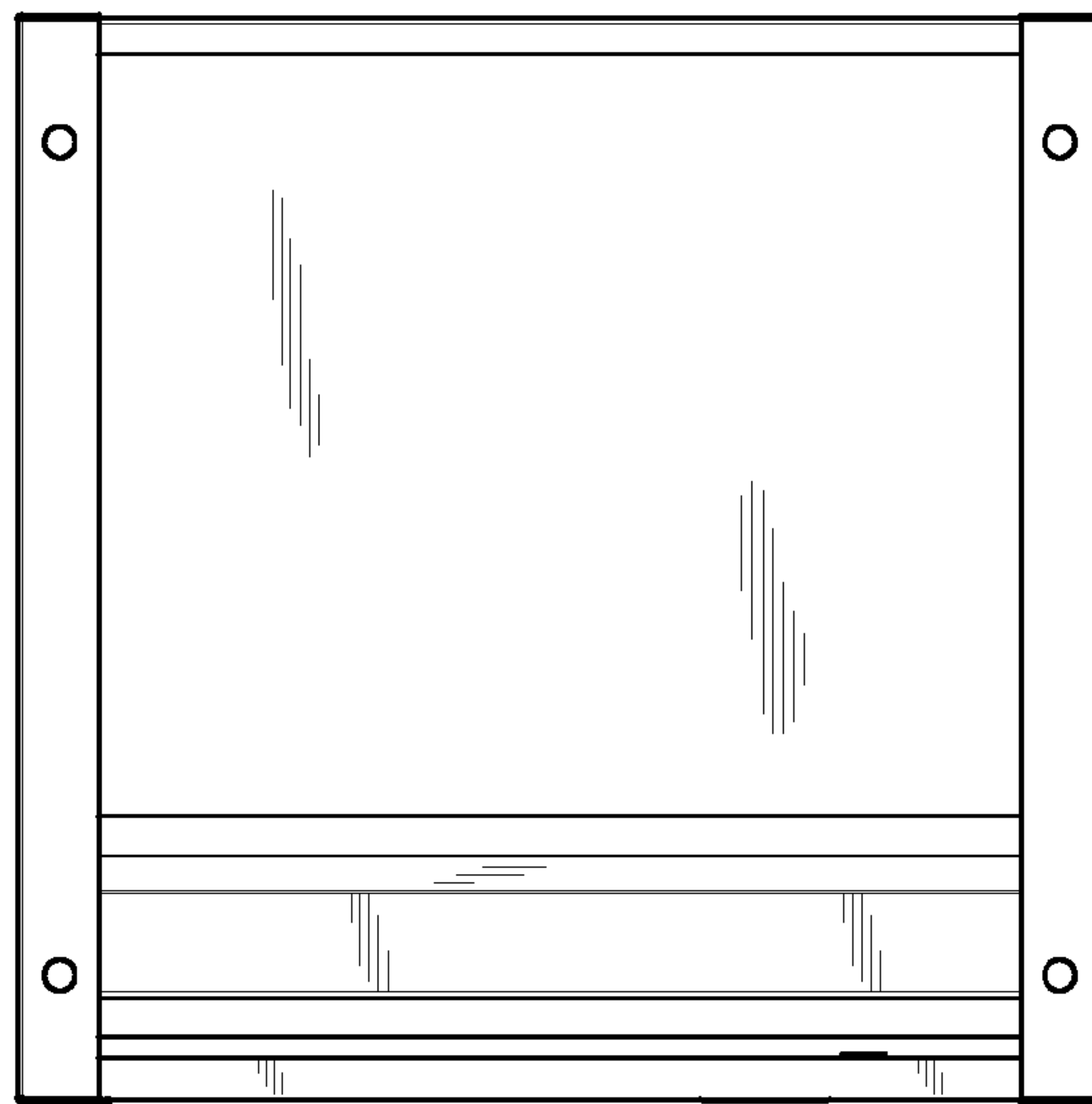


FIG. 7

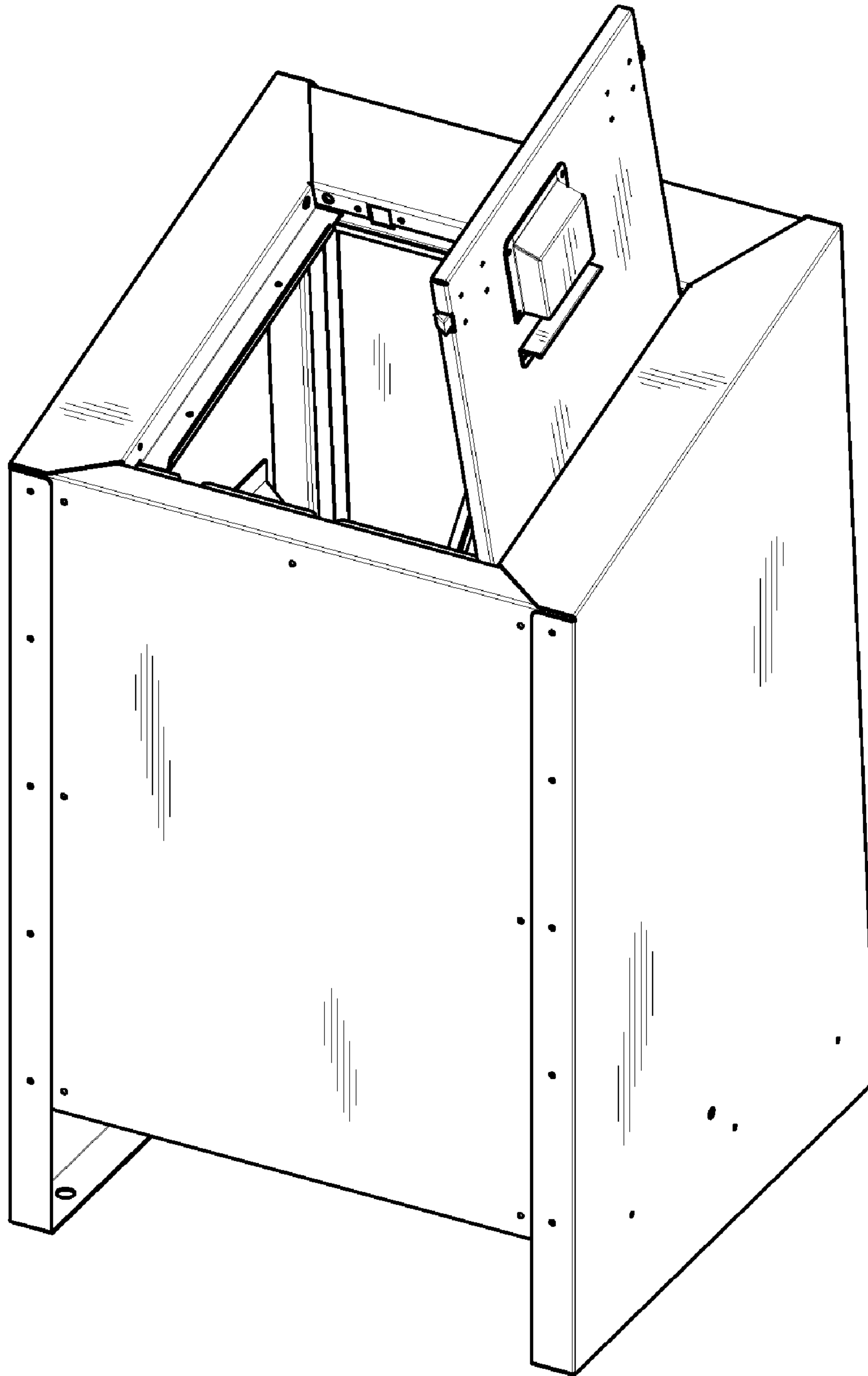


FIG. 8