



US00D612559S

(12) **United States Design Patent**
Mizoguchi

(10) **Patent No.:** **US D612,559 S**
(45) **Date of Patent:** **** Mar. 23, 2010**

(54) **CASE FOR STEAM IRON**
(75) Inventor: **Yuko Mizoguchi**, Kadoma (JP)
(73) Assignee: **Panasonic Corporation**, Kadoma-shi (JP)
(**) Term: **14 Years**
(21) Appl. No.: **29/283,323**
(22) Filed: **Aug. 10, 2007**
(30) **Foreign Application Priority Data**
Mar. 1, 2007 (JP) 2007-005222

JP D1061069 S 2/2000
JP D1076327 S 6/2000
JP D1094865 S 12/2000
JP D1158570 S 11/2002
JP D1222075 S 11/2004
JP D1231817 S 3/2005

* cited by examiner

Primary Examiner—Rosemary K Tarcza
(74) *Attorney, Agent, or Firm*—Christensen O'Connor Johnson Kindness PLLC

(57) **CLAIM**

The ornamental design for a case for steam iron, as shown and described.

(51) **LOC (9) Cl.** **07-05**
(52) **U.S. Cl.** **D32/73**
(58) **Field of Classification Search** D32/1,
D32/17, 25, 35, 68–73; 38/1 R, 2, 12, 15,
38/17, 69, 74–75, 77.1–77.9, 79, 81, 88,
38/90, 93–94, 96–97, 141; 219/243, 245–252,
219/259; D3/201, 273, 274, 280
See application file for complete search history.

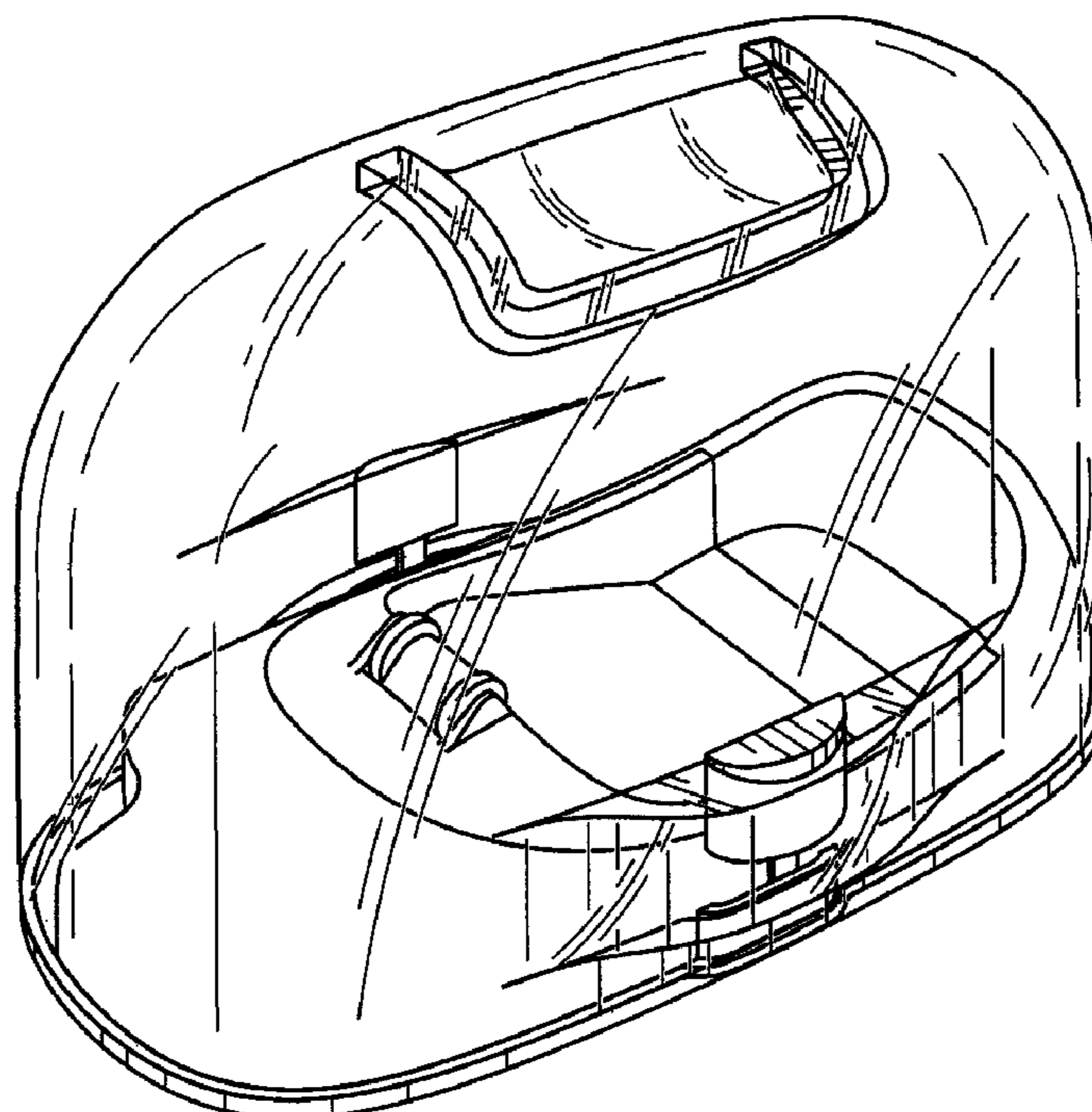
DESCRIPTION

FIG. 1 is a perspective view of the top, front and left side of a case for steam iron showing my new design;
FIG. 2 is a front view thereof;
FIG. 3 is a rear view thereof;
FIG. 4 is a top plan view thereof;
FIG. 5 is a bottom view thereof;
FIG. 6 is a left side view thereof;
FIG. 7 is a right side view thereof;
FIG. 8 is a perspective view in the separated condition showing the transparent part thereof; and,
FIG. 9 is a cross sectional view thereof, taken along line 9—9 of FIG. 2, and is provided to clarify the exact contour of the exterior surface of the claimed design, and not to illustrate features of internal construction.

(56) **References Cited**
U.S. PATENT DOCUMENTS
D131,942 S * 4/1942 Vike D32/73
D320,100 S * 9/1991 Giannelli D32/73
D360,723 S * 7/1995 Kasai et al. D32/73
D470,637 S * 2/2003 Berthier D32/73
7,086,186 B2 * 8/2006 Kobayashi et al. 38/96

FOREIGN PATENT DOCUMENTS
JP 1050849 S 10/1999

1 Claim, 6 Drawing Sheets



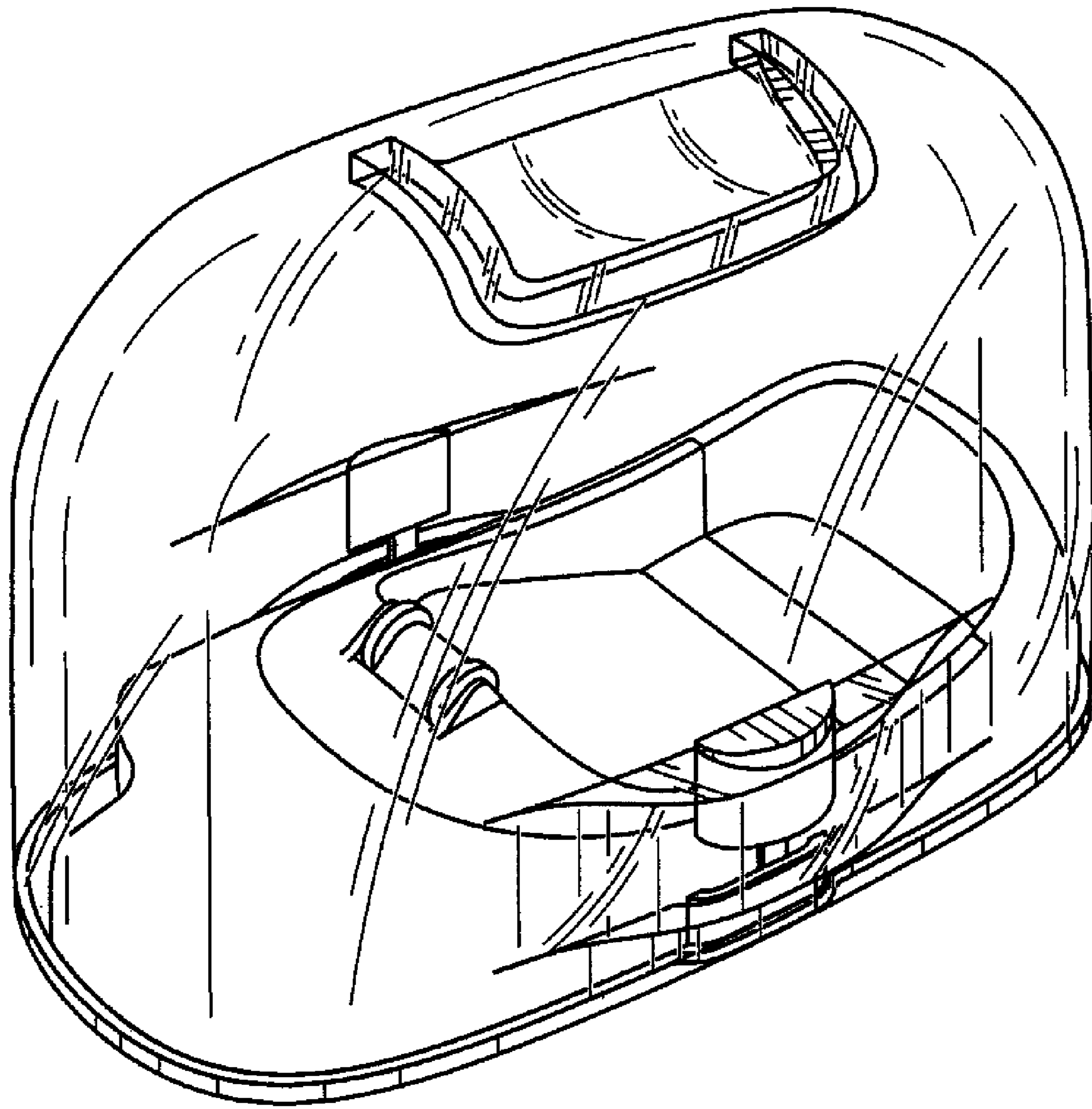
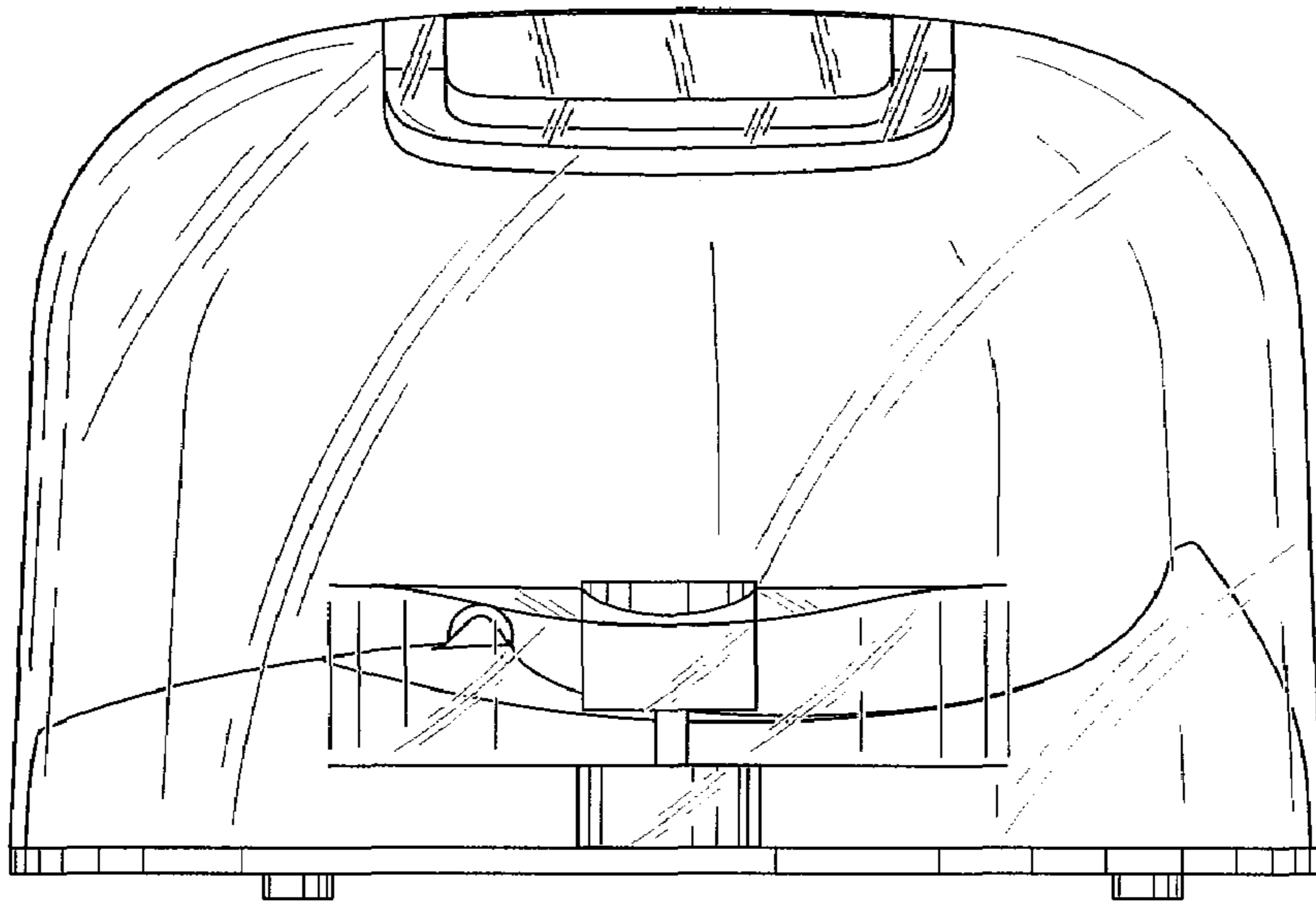


Fig. 1.

← 9



← 9

Fig. 2.

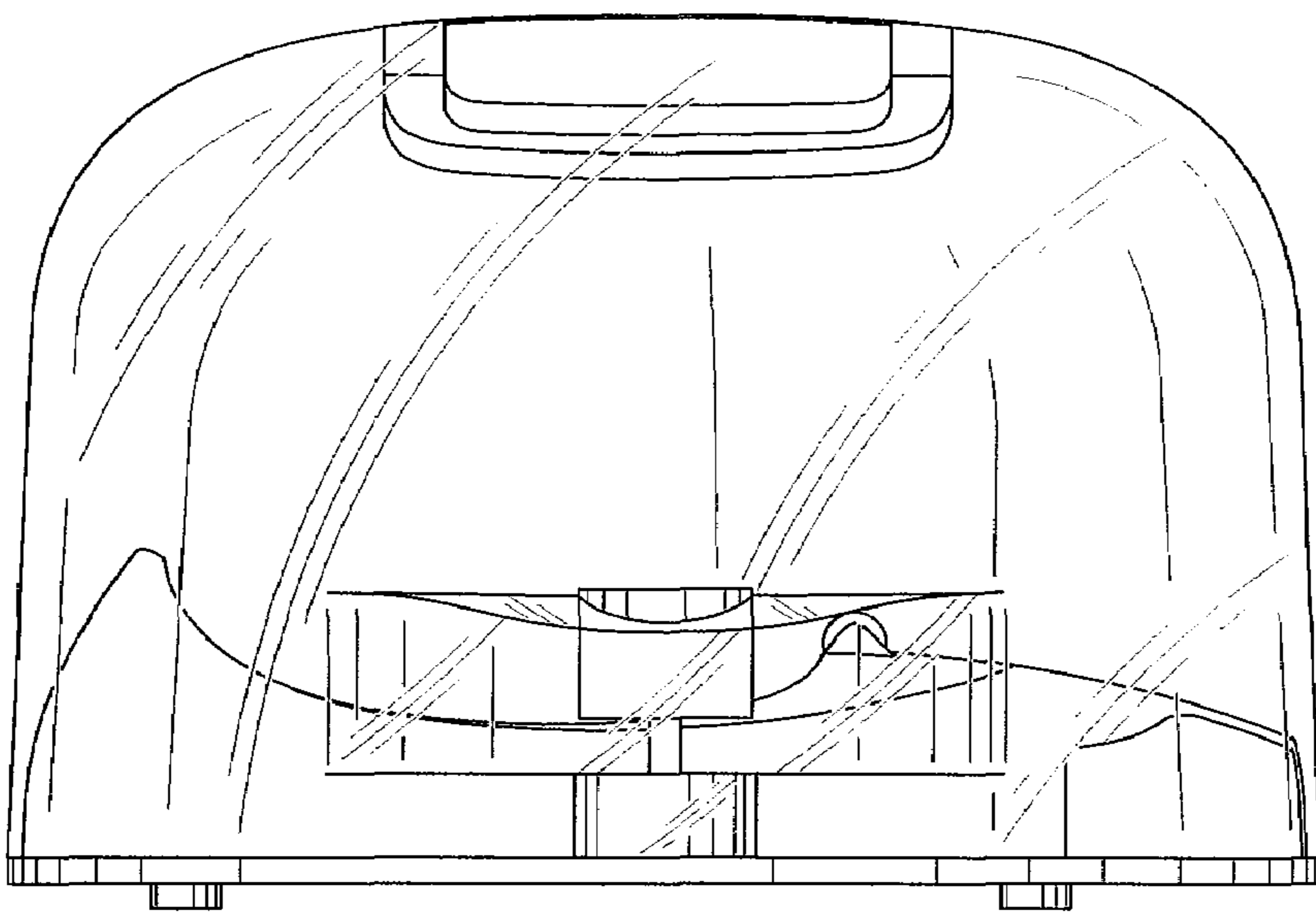


Fig. 3.

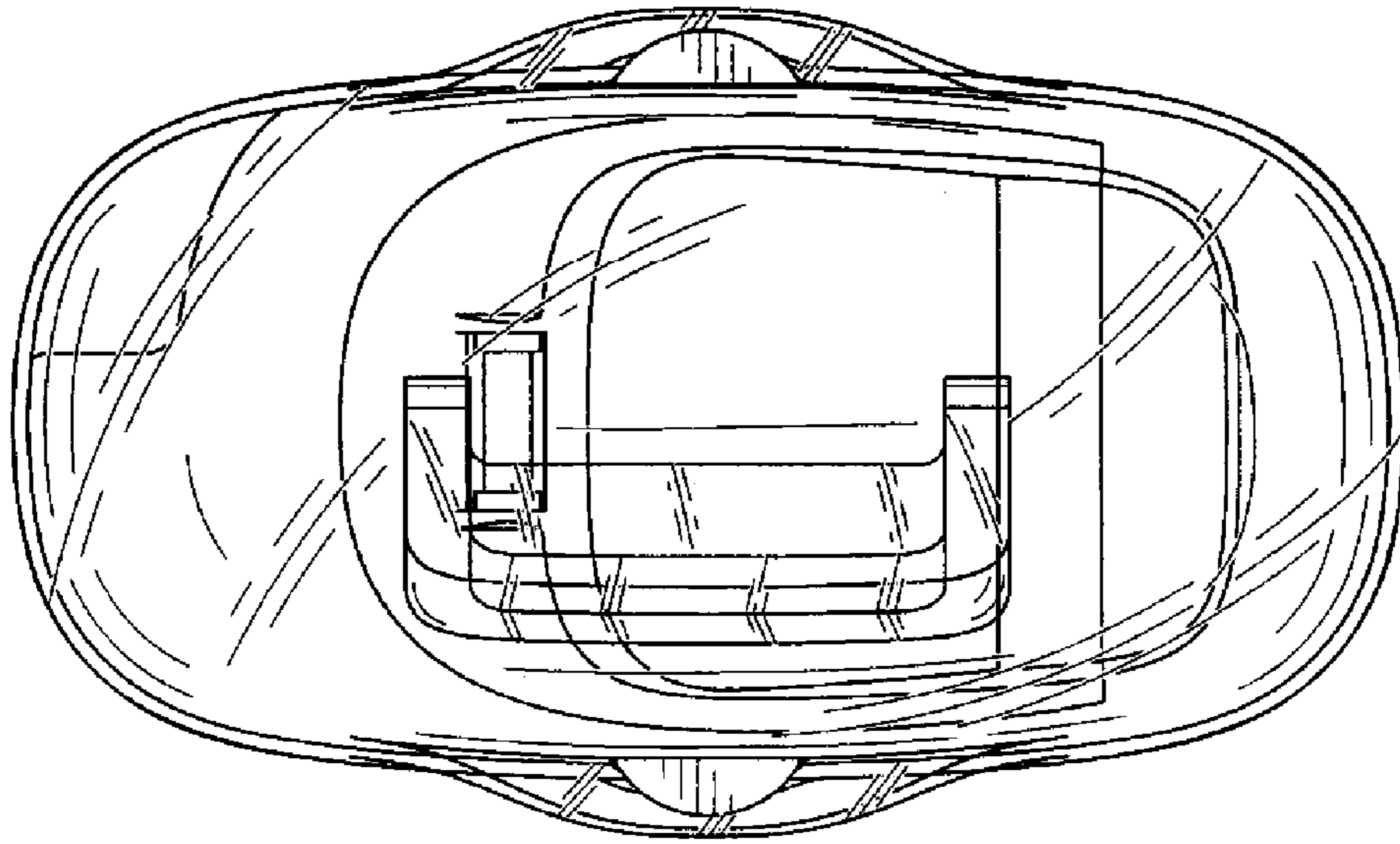


Fig. 4.

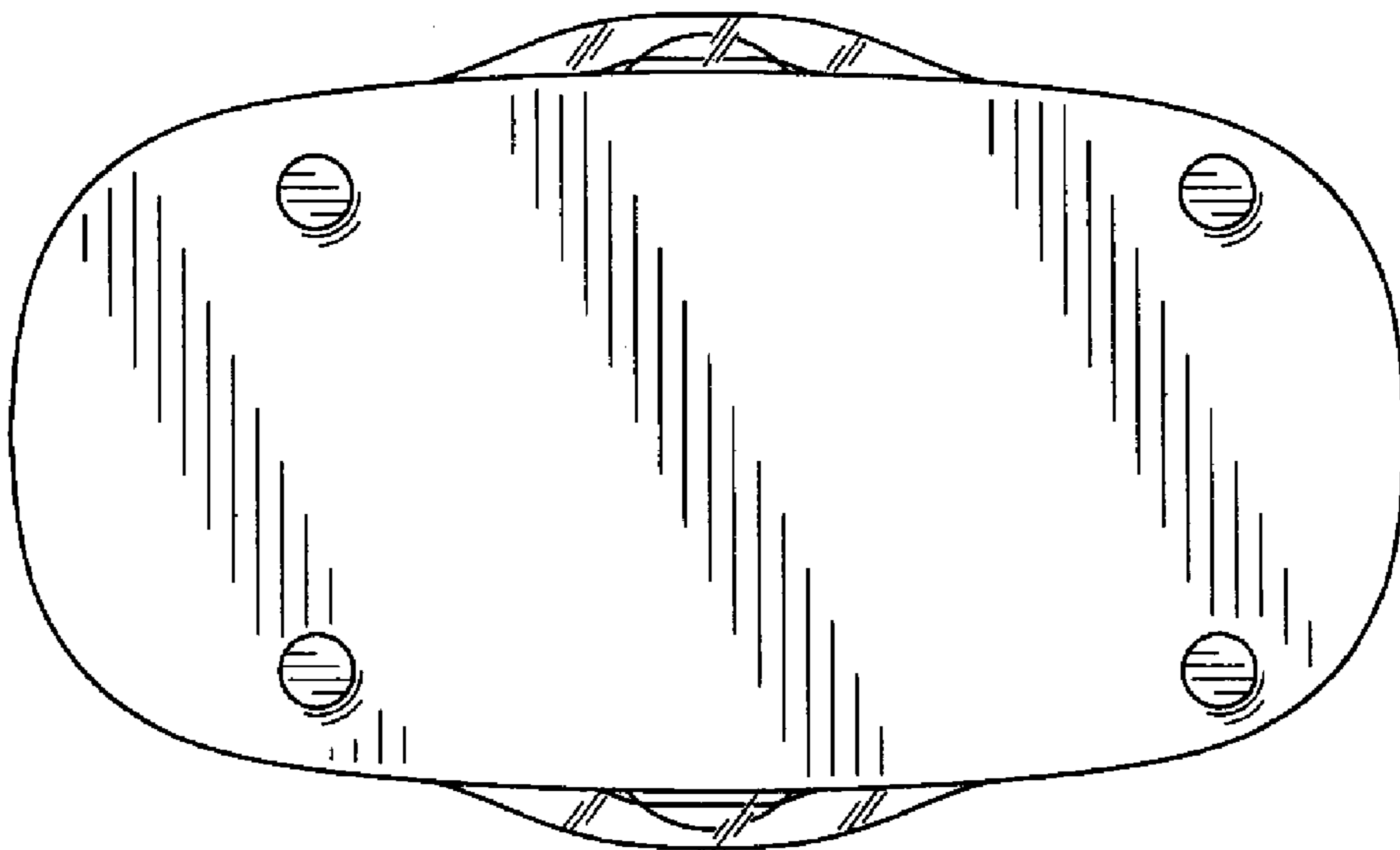


Fig. 5.

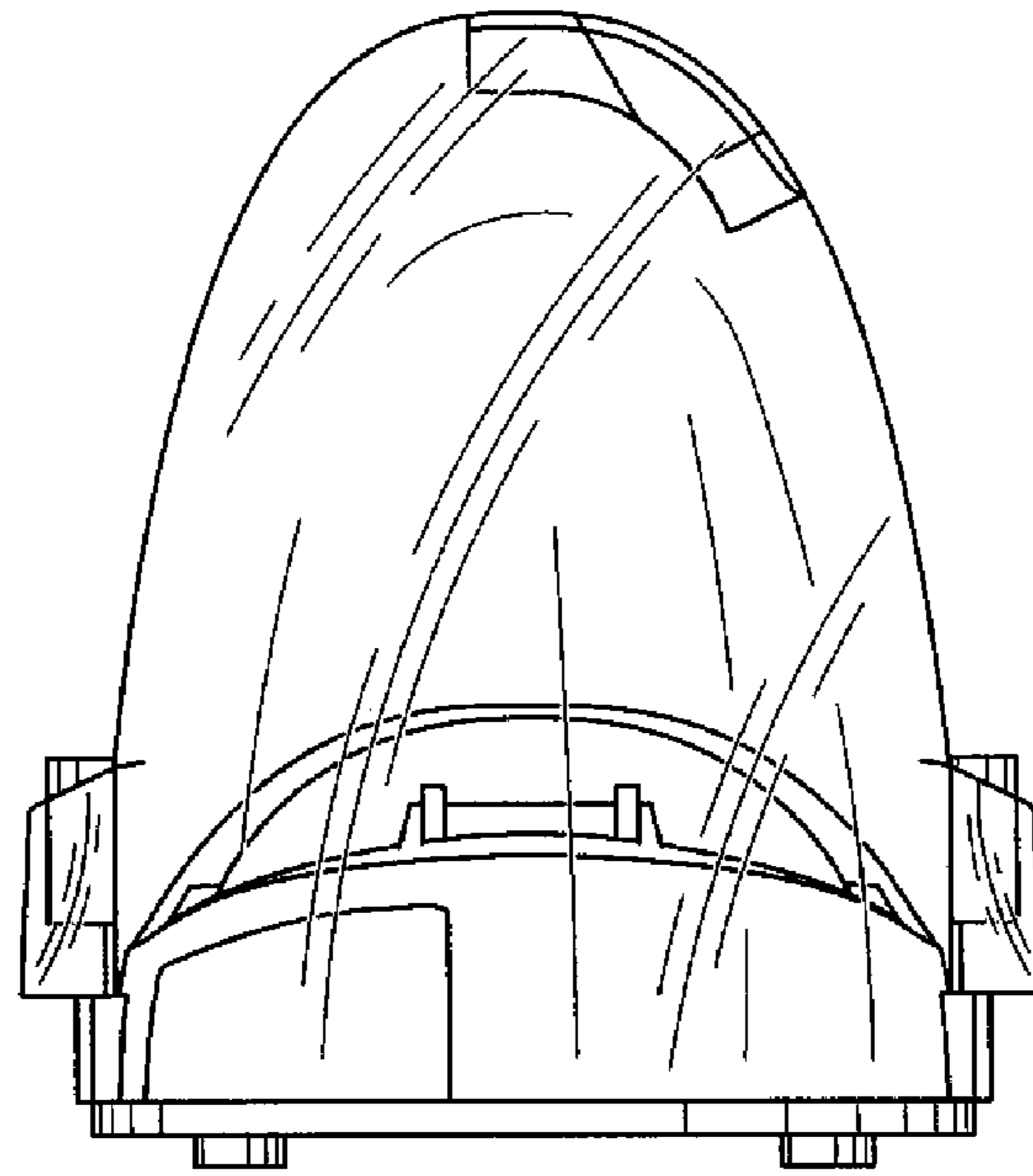


Fig. 6.

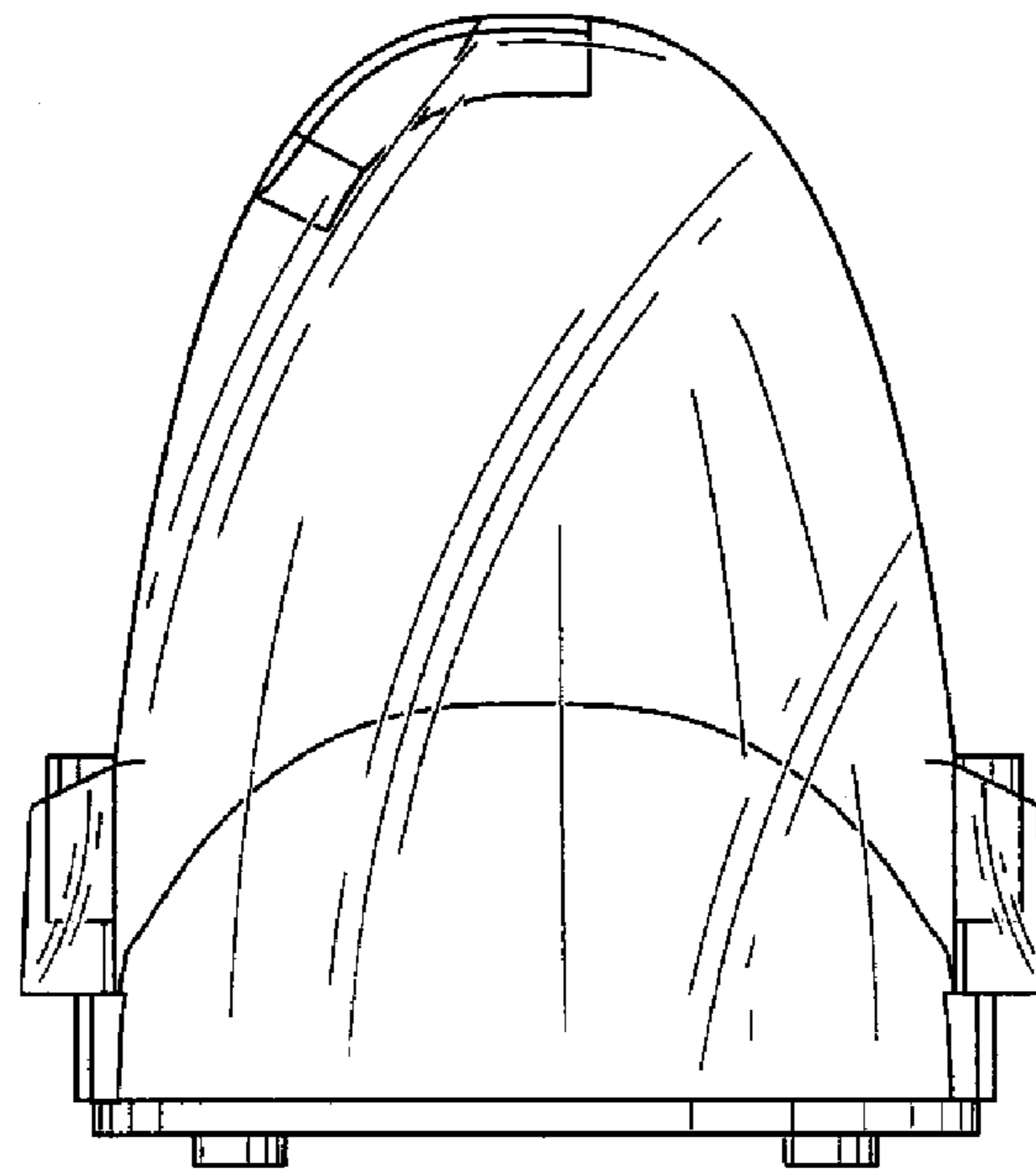


Fig. 7.

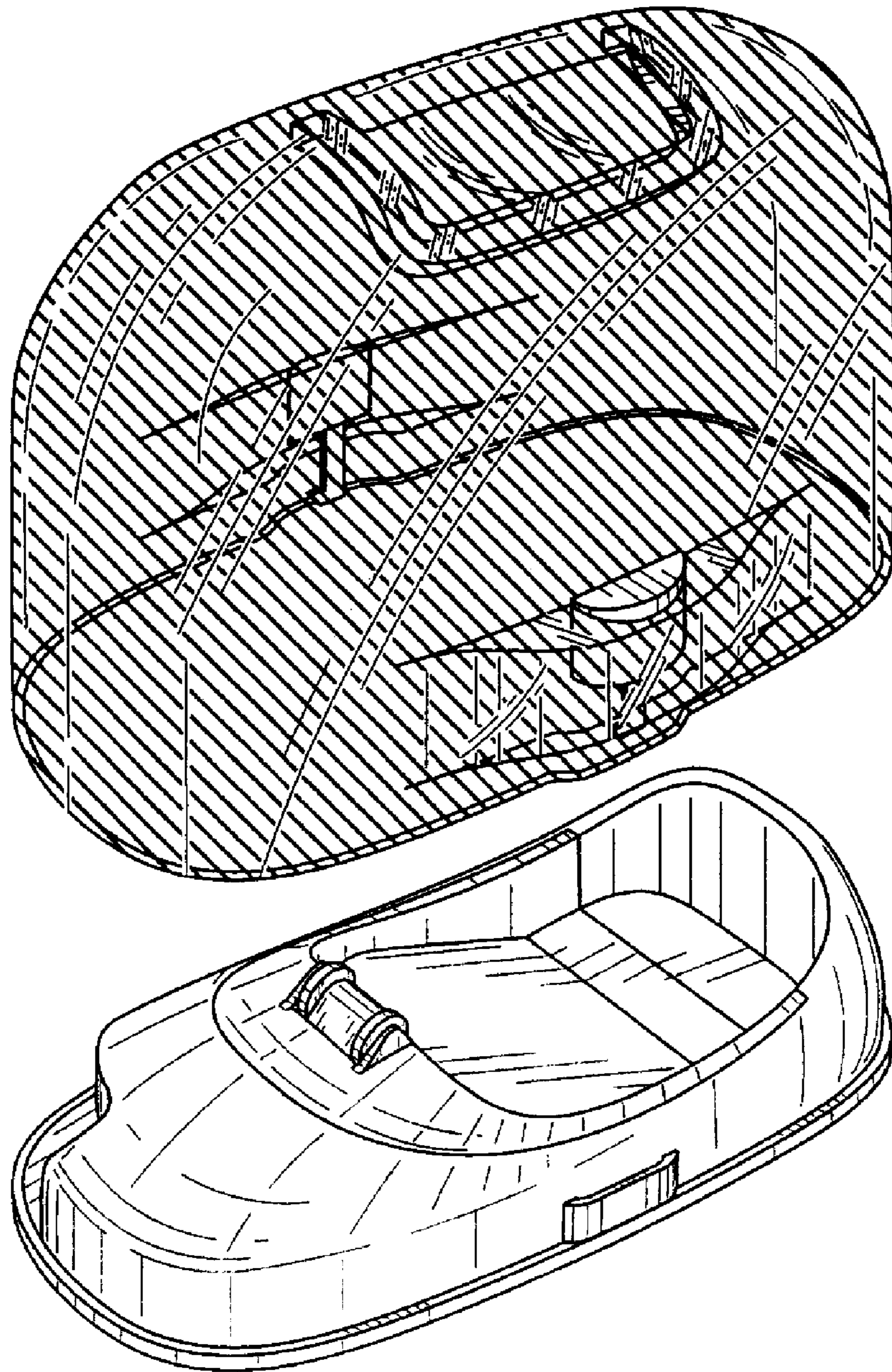


Fig. 8.

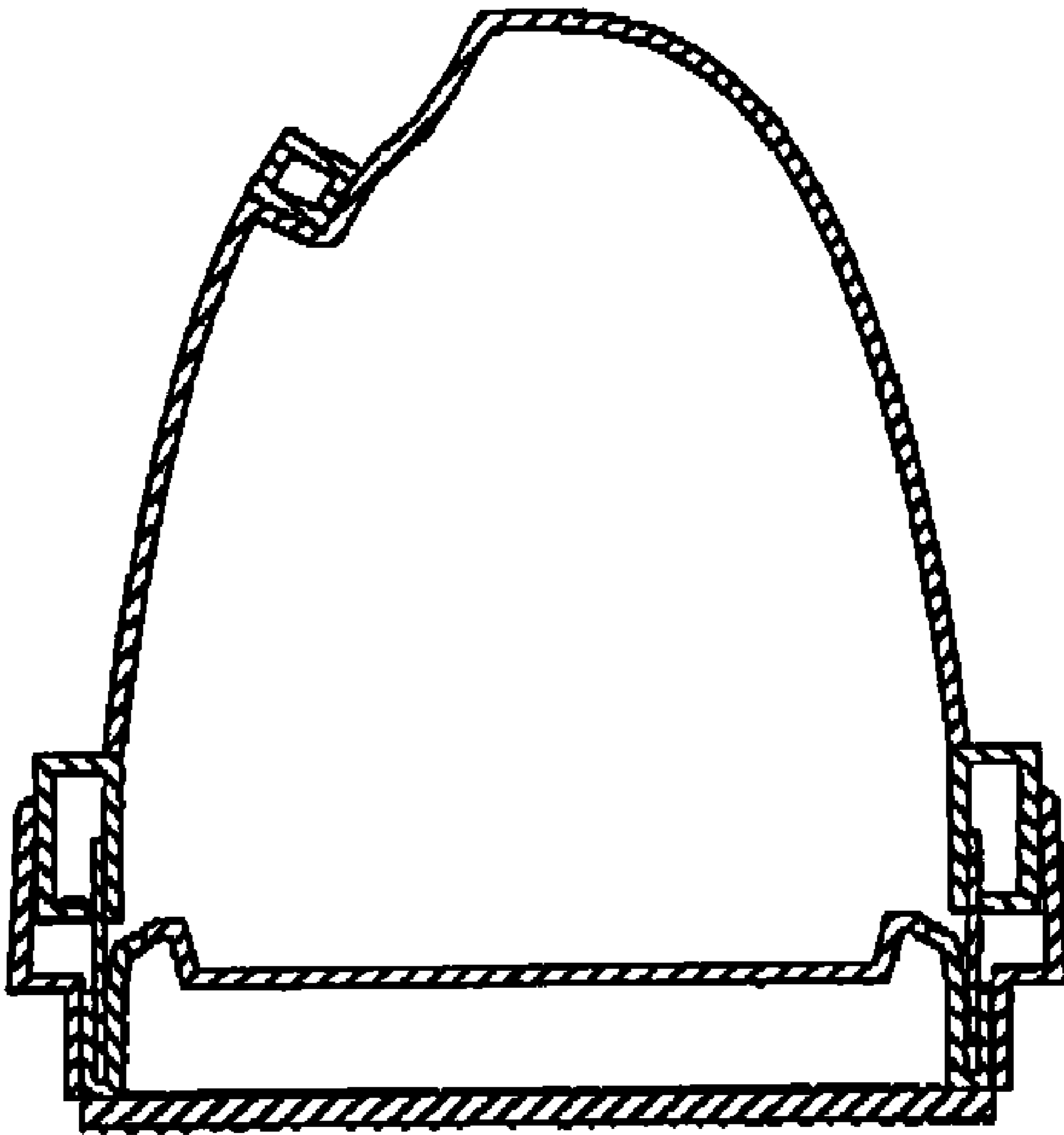


Fig. 9.