



US00D612558S

(12) **United States Design Patent**  
**Carrington**

(10) **Patent No.:** **US D612,558 S**  
(45) **Date of Patent:** **\*\* Mar. 23, 2010**

(54) **MULTI TIER DRYING RACK**

(76) Inventor: **Roslyn Regina Carrington**, 6977  
Rockfield Rd., Windsor Mills, MD (US)  
21244

(\*\*) Term: **14 Years**

(21) Appl. No.: **29/331,774**

(22) Filed: **Jan. 30, 2009**

(51) **LOC (9) Cl.** ..... **07-05**

(52) **U.S. Cl.** ..... **D32/58**

(58) **Field of Classification Search** ..... D32/55-58,  
D32/8; D6/582-3, 586, 510, 479, 474, 465,  
D6/396; 52/660; 4/637, 656, 581; 211/85.25,  
211/41.2-41.4, 150, 194, 134; D7/301  
See application file for complete search history.

(56) **References Cited**

**U.S. PATENT DOCUMENTS**

291,030	A *	1/1884	Clapper	108/1
1,619,900	A *	3/1927	Warren	211/45
1,708,588	A *	4/1929	Proctor	211/182
D105,528	S *	8/1937	Jensen	D32/58
2,950,541	A *	8/1960	Dement	34/238
3,596,770	A *	8/1971	Heinrich	211/150
3,894,634	A *	7/1975	Gotham et al.	211/150
D294,091	S *	2/1988	Williams	D6/479
D305,710	S *	1/1990	Ng et al.	D6/474
D315,432	S *	3/1991	Smith	D32/58
5,244,104	A *	9/1993	Green et al.	211/150
5,833,083	A *	11/1998	Miller	211/134
D403,536	S *	1/1999	Olson et al.	D6/479
D422,433	S *	4/2000	Ho	D6/479
6,135,299	A *	10/2000	Burgess	211/194
6,152,314	A *	11/2000	Besanko et al.	211/134
6,415,934	B1 *	7/2002	Veltrop et al.	211/85.4
6,601,716	B1 *	8/2003	Hayman et al.	211/194
D481,233	S *	10/2003	Post et al.	D6/510
D496,546	S *	9/2004	Moon et al.	D6/479
D515,337	S *	2/2006	deCarolis	D6/479
D534,374	S *	1/2007	Wright	D6/465

D552,808	S *	10/2007	Garman et al.	D32/8
D588,414	S *	3/2009	Verghese	D7/601
D596,420	S *	7/2009	Yoshida	D6/396
2009/0230066	A1 *	9/2009	Schaerer	211/60.1

\* cited by examiner

*Primary Examiner*—Cathron C Brooks

*Assistant Examiner*—Austin Murphy

(74) *Attorney, Agent, or Firm*—QuickPatents, Inc.; Kevin Prince

(57) **CLAIM**

I claim the ornamental design for a multi tier drying rack, as shown and described.

**DESCRIPTION**

FIG. 1 is a perspective view of a multi tier drying rack, illustrated in a deployed configuration, showing my new design;

FIG. 2 is a front elevational view of the invention, the rear elevational view being a mirror image thereof, illustrated in the deployed configuration;

FIG. 3 is a left-side elevational view of the invention, illustrated in the deployed configuration;

FIG. 4 is a right-side elevational view of the invention, illustrated in the deployed configuration;

FIG. 5 is a top plan view of the invention, illustrated in the deployed configuration;

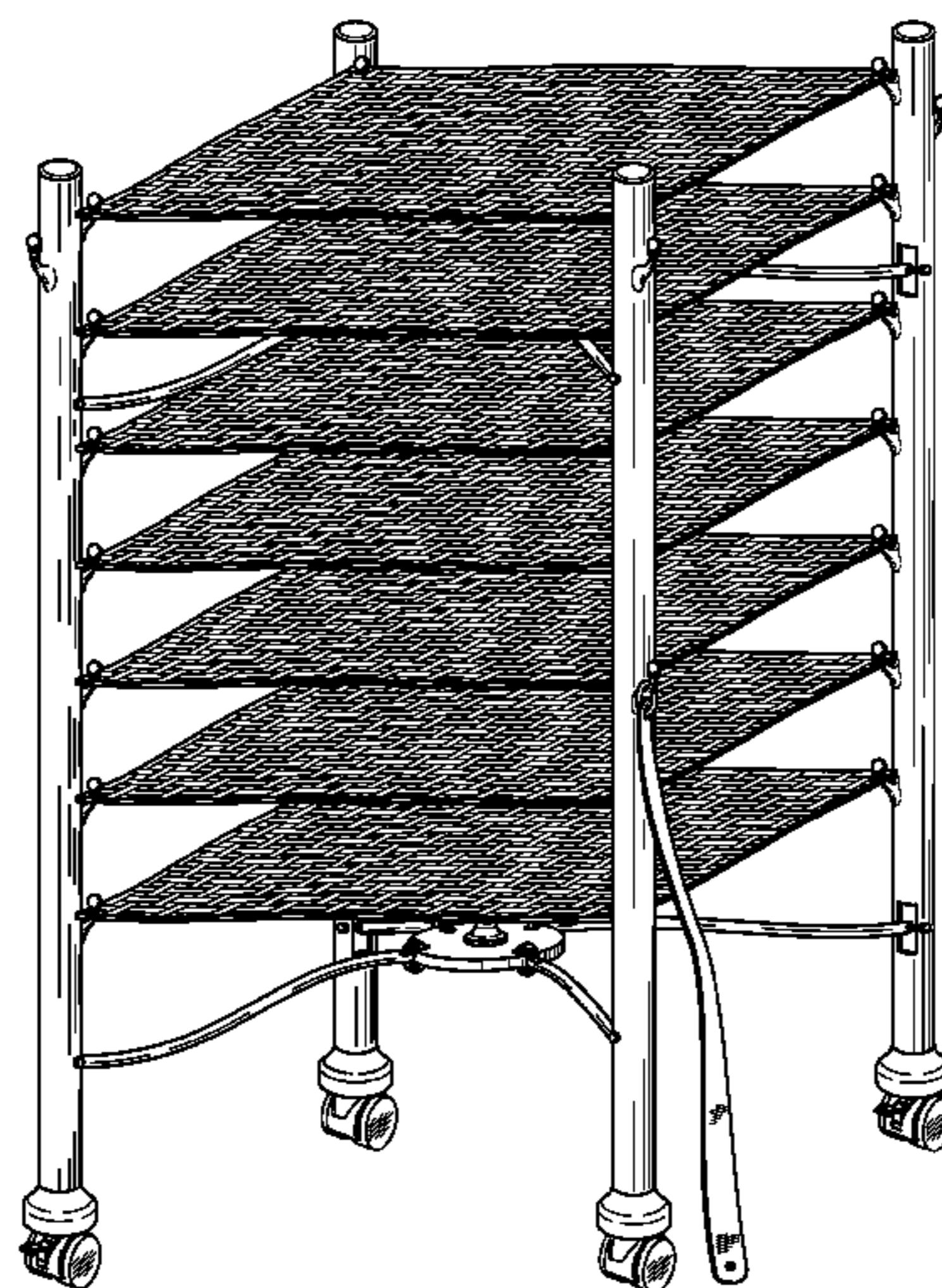
FIG. 6 is a bottom plan view of the invention, illustrated in the deployed configuration;

FIG. 7 is a perspective view of the invention in a collapsed configuration shown with the shelves removed; and,

FIG. 8 is a perspective view of flexible shelves in a rolled configuration, shown separately for ease of illustration.

The broken lines showing a strap in FIG. 8 are included for the purpose of illustrating environmental features, and form no part of the claimed design.

**1 Claim, 6 Drawing Sheets**



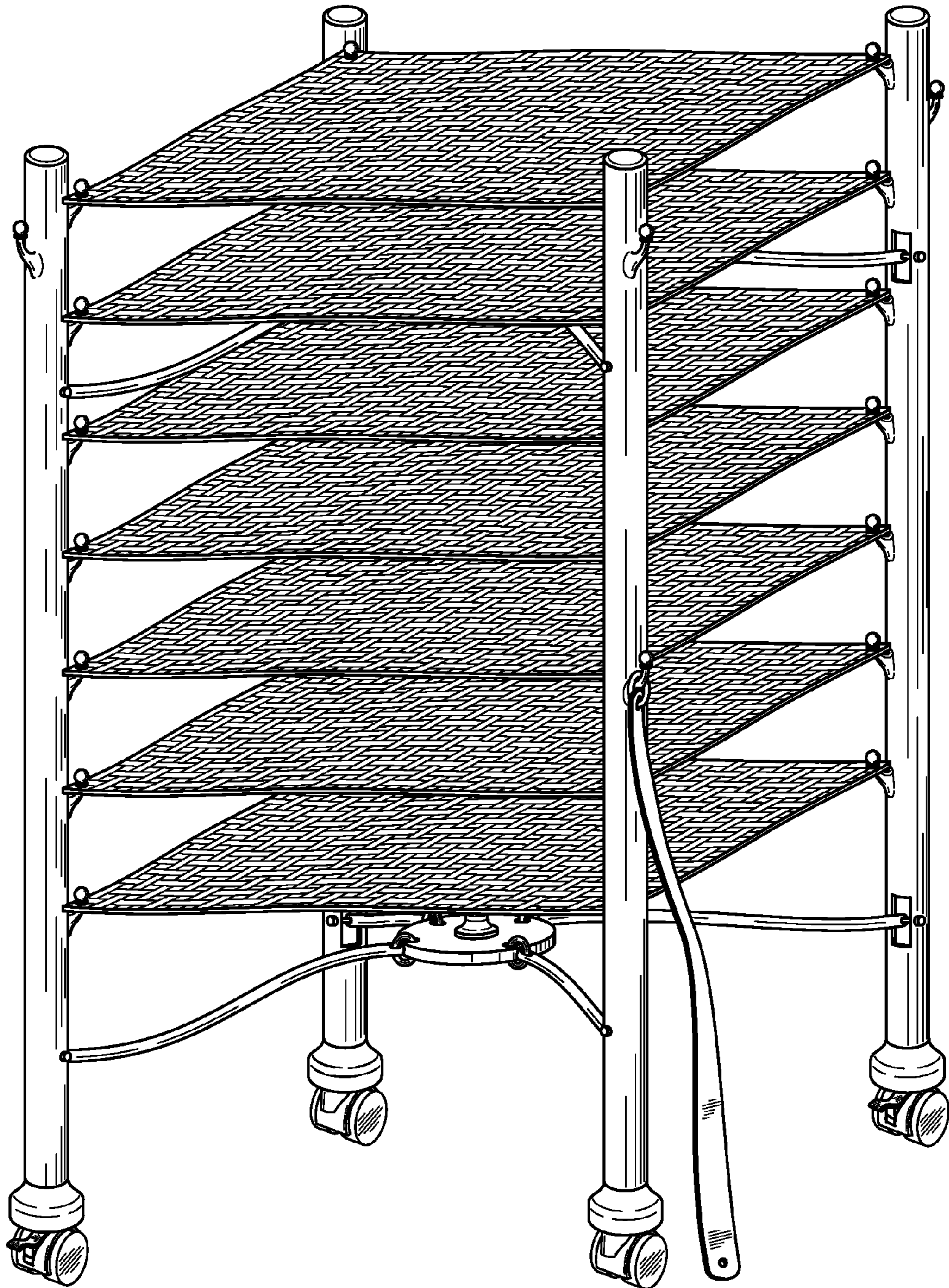


FIG. 1

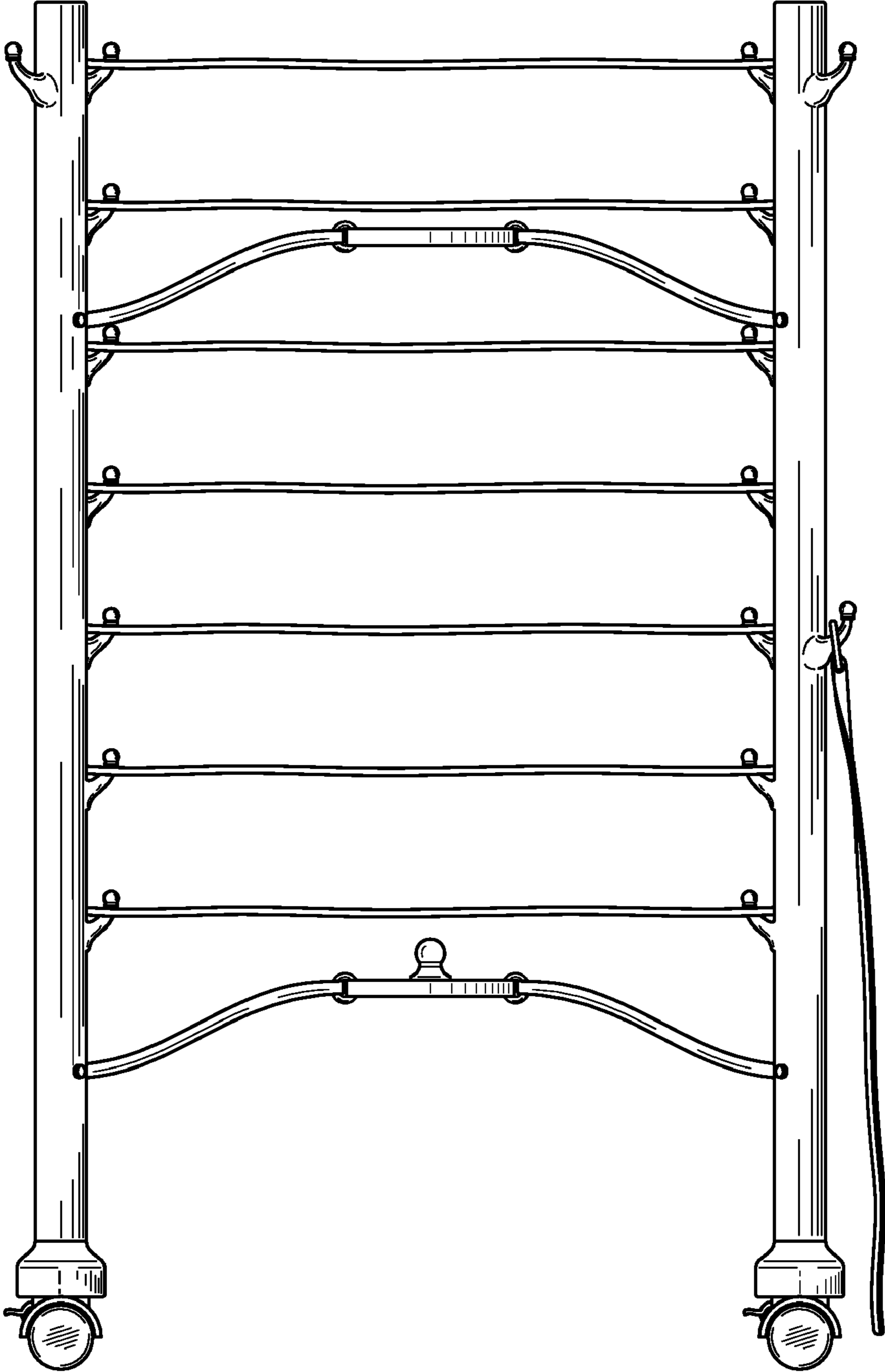


FIG. 2

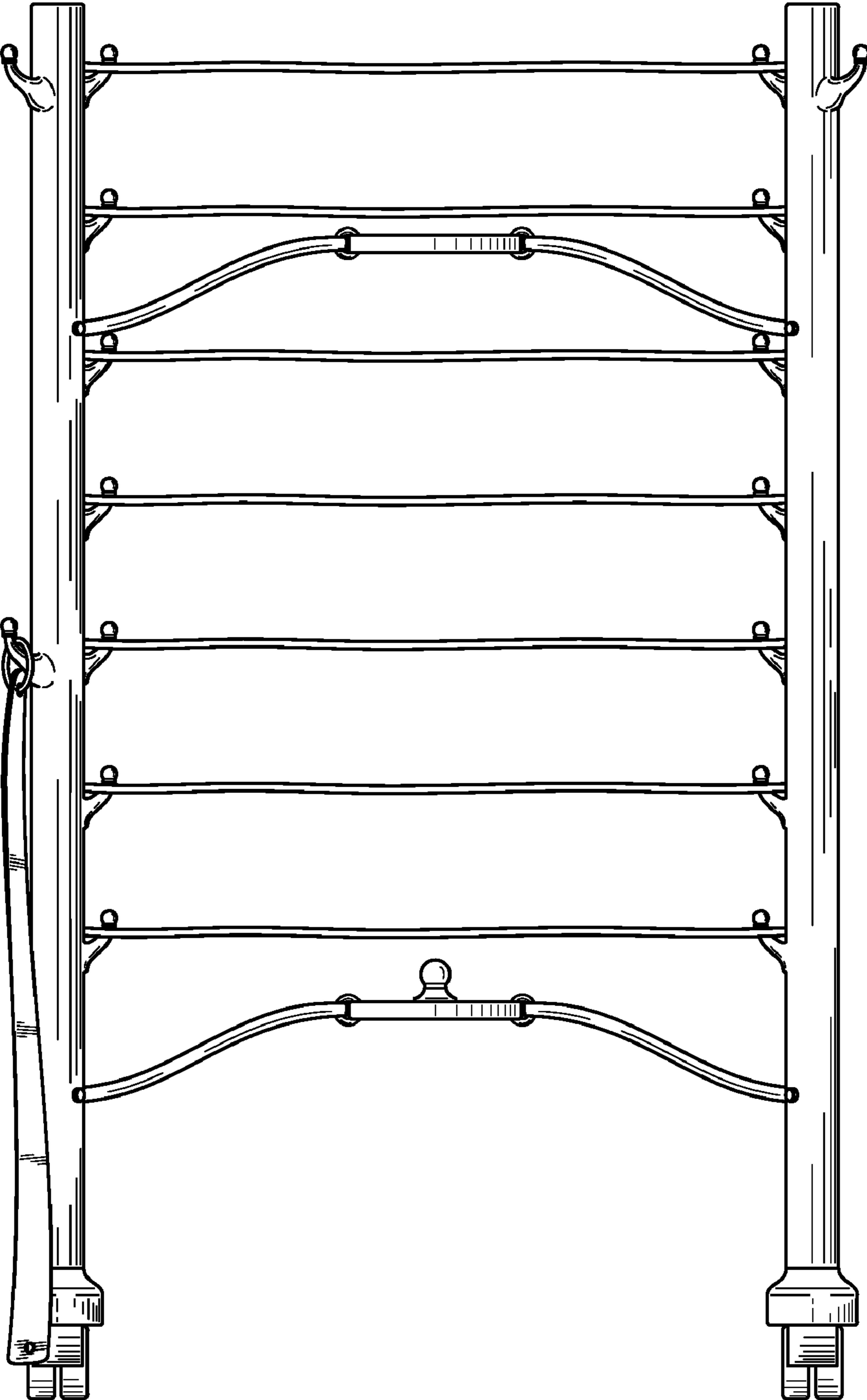


FIG. 3

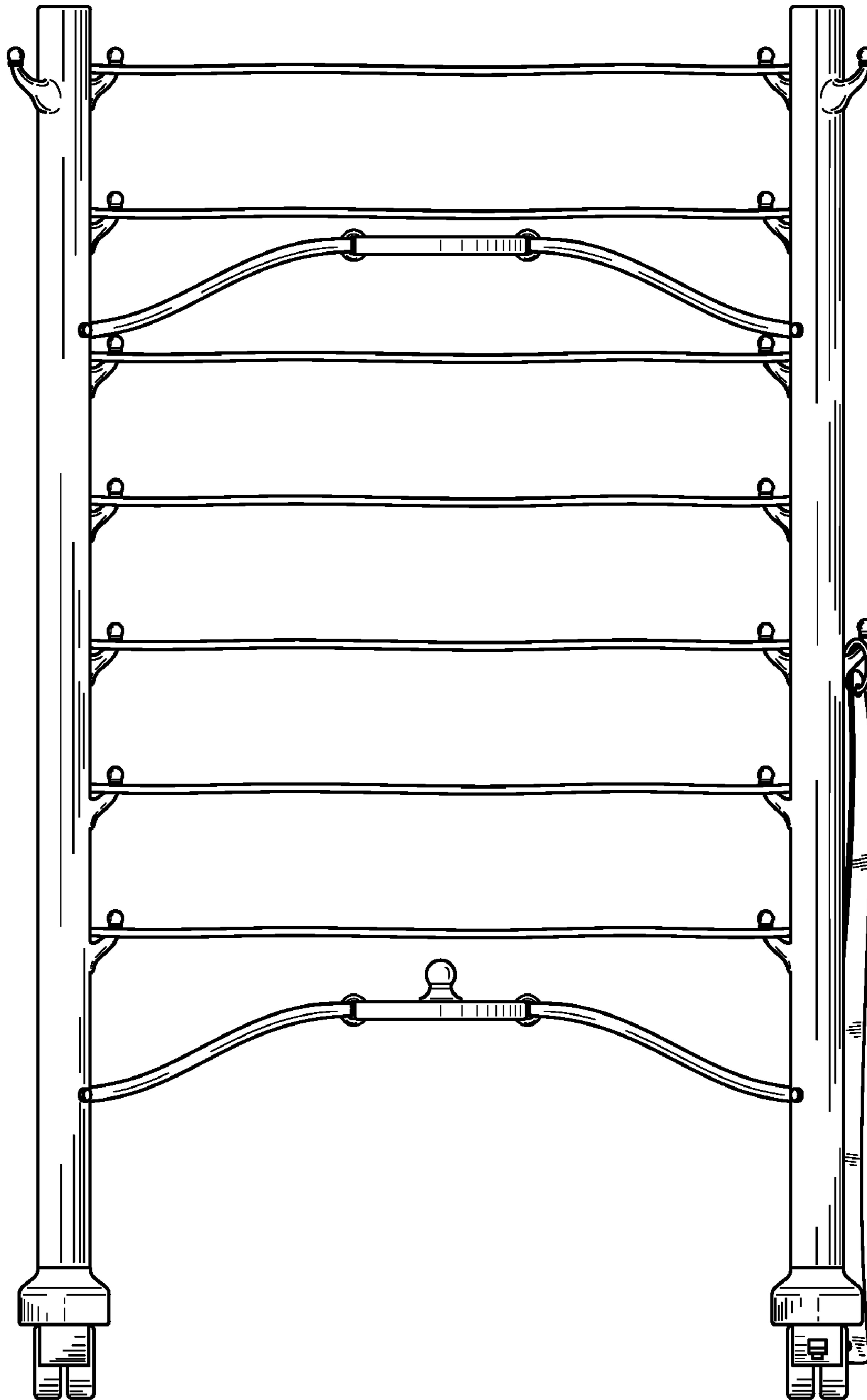


FIG. 4

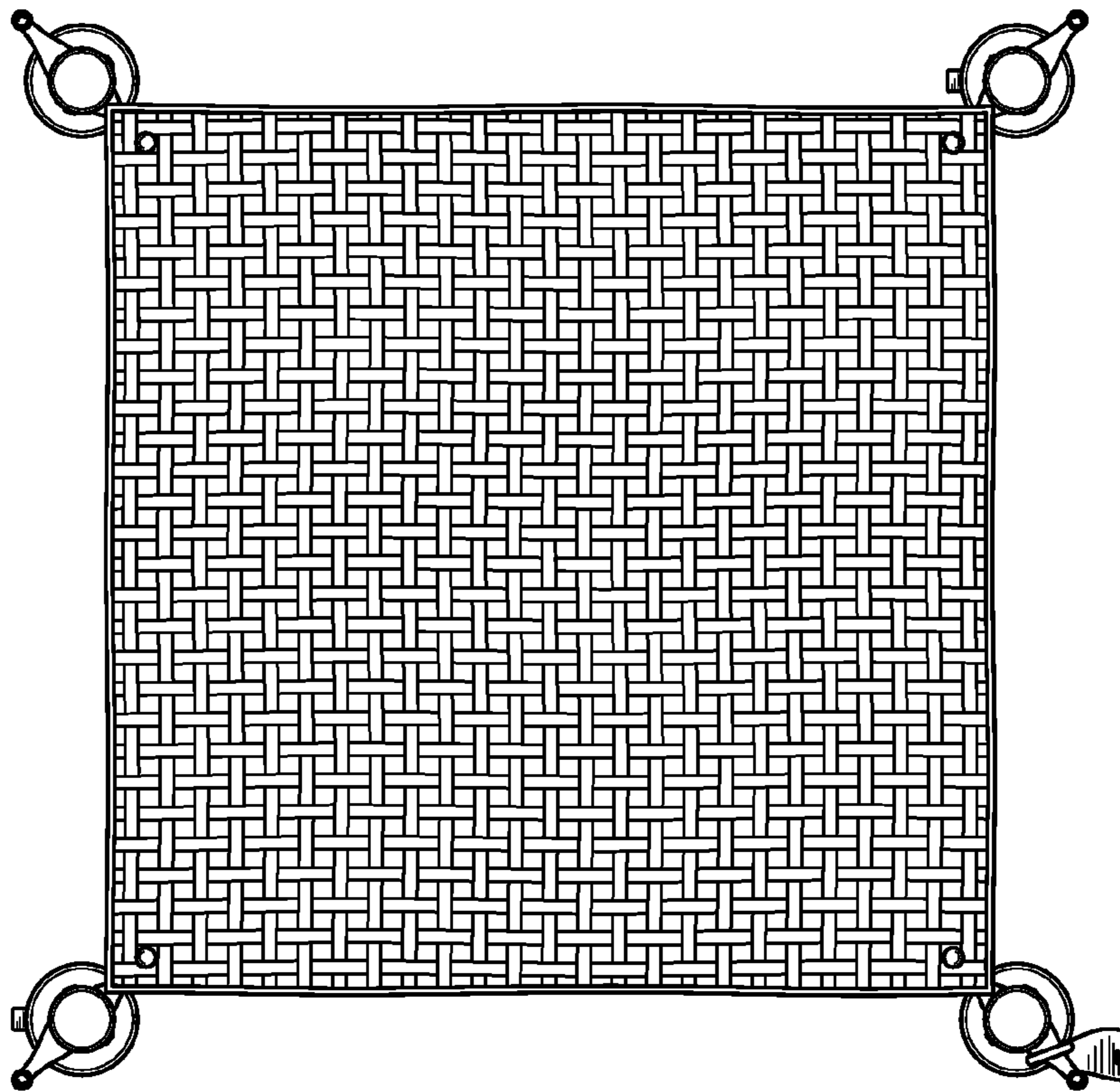


FIG. 5

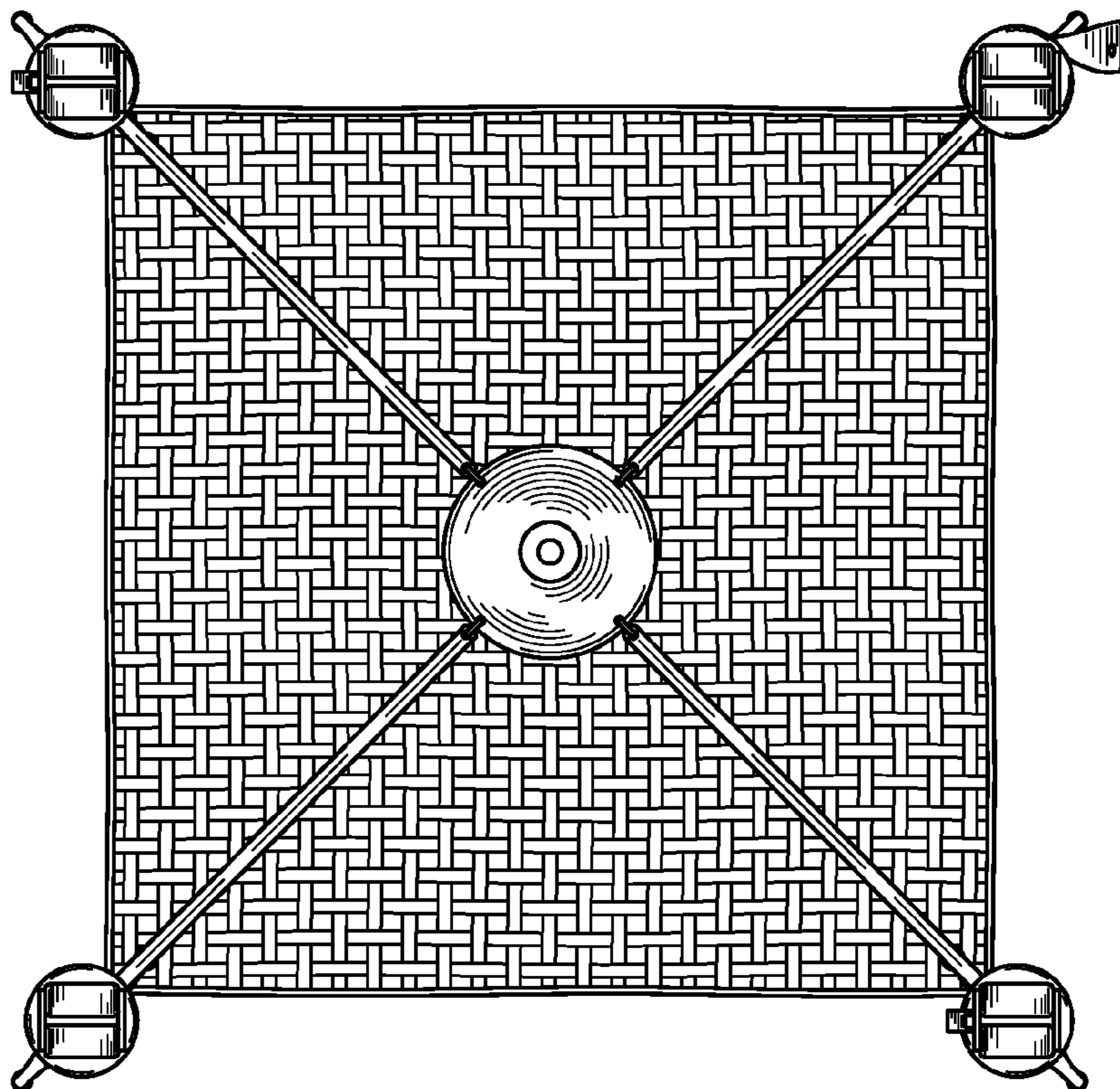


FIG. 6

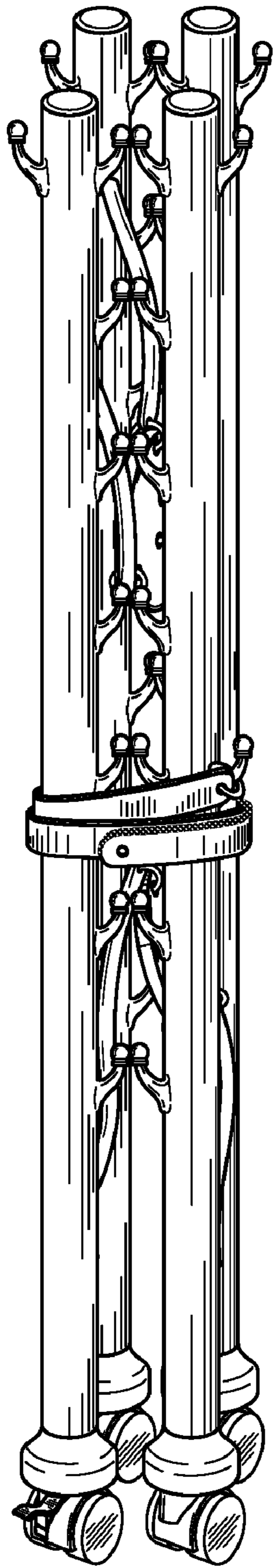


FIG. 7

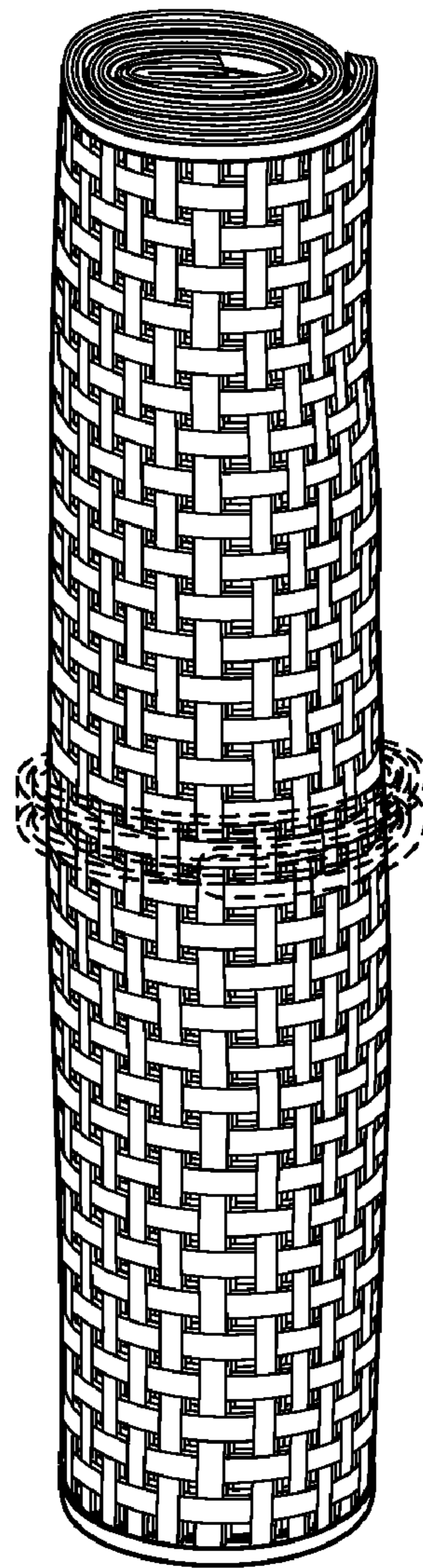


FIG. 8