



US00D612557S

(12) **United States Design Patent**
Chiappetta et al.

(10) **Patent No.:** **US D612,557 S**

(45) **Date of Patent:** **** Mar. 23, 2010**

(54) **STRING CLEANER**

(75) Inventors: **David Chiappetta**, 110 First Pl., Apt. #3, Brooklyn, NY (US) 11231; **John Byrne**, Lake Villa, IL (US); **Agjah Libohova**, Westbury, NY (US)

(73) Assignee: **David Chiappetta**, Brooklyn, NY (US)

(**) Term: **14 Years**

(21) Appl. No.: **29/318,850**

(22) Filed: **May 29, 2008**

(51) **LOC (9) Cl.** **08-99**

(52) **U.S. Cl.** **D32/35**

(58) **Field of Classification Search** D32/35,
D32/40, 41, 42, 43, 44, 45, 46; D99/99;
D8/70.1, 71, 499; 15/210.1, 220.3, 220.4,
15/256.6, 1; 84/453; 134/15

See application file for complete search history.

(56) **References Cited**

U.S. PATENT DOCUMENTS

652,520 A 6/1900 Pletcher
1,748,900 A 2/1930 Pilla
1,951,079 A 3/1934 Zihlman

(Continued)

FOREIGN PATENT DOCUMENTS

DE 30 03 402 A1 6/1981

OTHER PUBLICATIONS

String Clean Ltd., "The Swipe 'Guitar String Cleaner'". [Retrieved Sep. 6, 2004]. Retrieved from Internet: URL: < <http://www.stringclean.com/>>. 1pg.

(Continued)

Primary Examiner—Cynthia E Ramirez

(74) *Attorney, Agent, or Firm*—Buckley, Maschoff & Talwalkar LLC

(57) **CLAIM**

The ornamental design for a string cleaner, as shown and described.

DESCRIPTION

FIG. 1 is a top perspective view of a string cleaner in an open position;

FIG. 2 is a bottom perspective view thereof;

FIG. 3 is a top plan view thereof;

FIG. 4 is a bottom plan view thereof;

FIG. 5 is a side elevational view thereof, the left and the right sides being mirror images of each other;

FIG. 6 is a front elevational view thereof;

FIG. 7 is a rear elevational view thereof;

FIG. 8 is a top perspective view of a sting cleaner in a closed position;

FIG. 9 is a bottom perspective view thereof;

FIG. 10 is a top plan view thereof;

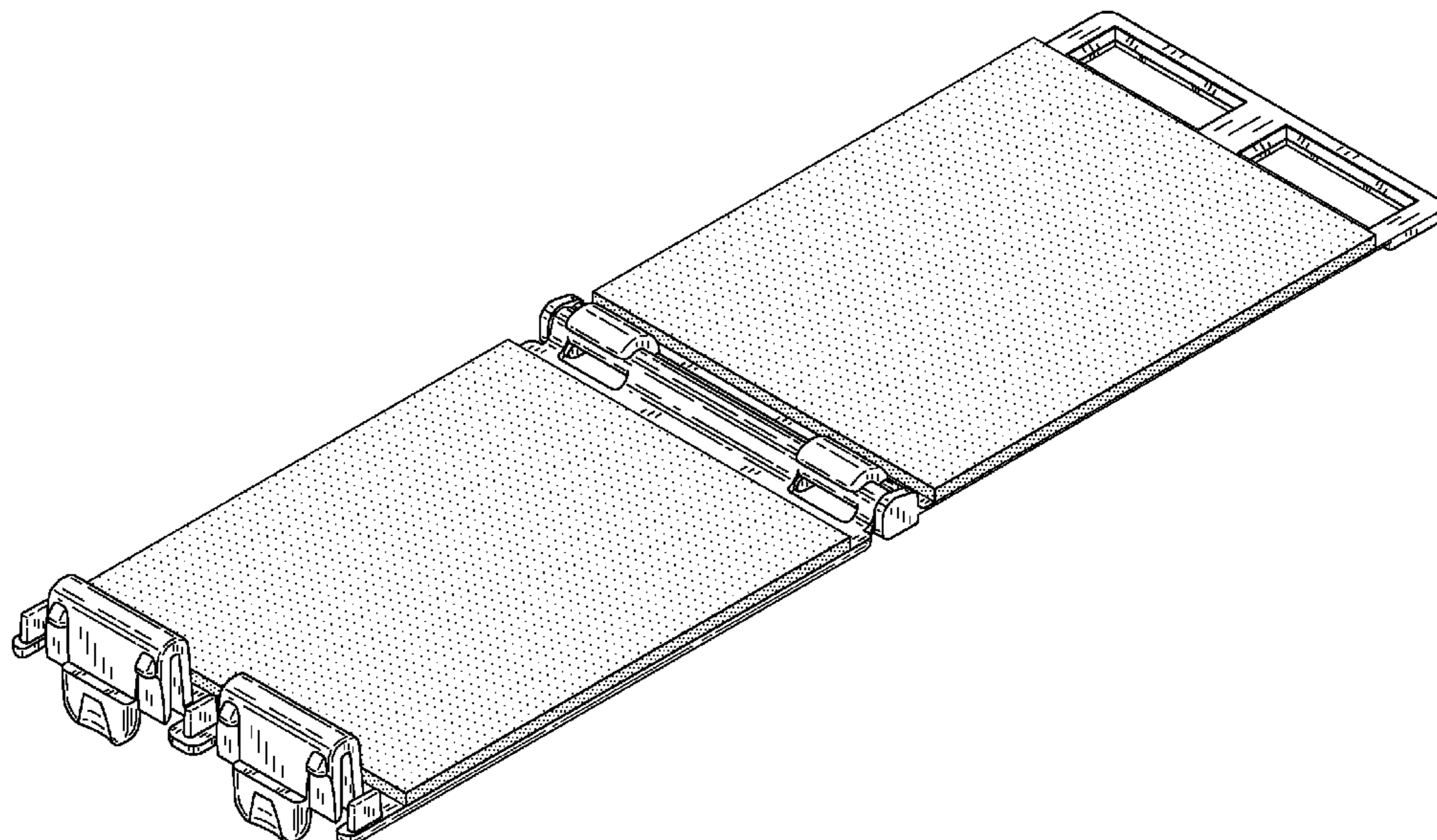
FIG. 11 is a bottom plan view thereof;

FIG. 12 is a side elevational view thereof, the left and the right sides being mirror images of each other;

FIG. 13 is a front elevational view thereof; and,

FIG. 14 is a rear elevational view thereof.

1 Claim, 8 Drawing Sheets



US D612,557 S

Page 2

U.S. PATENT DOCUMENTS

2,148,009 A 2/1939 Bing
2,301,243 A 11/1942 Binkley
2,715,291 A 8/1955 Sweigert
2,775,013 A 12/1956 Pedrero
D180,034 S 4/1957 Robertson
2,791,330 A 5/1957 Carlson
2,819,484 A 1/1958 Fouse
D188,356 S 7/1960 Hertzler
2,977,127 A 3/1961 Mertes
3,445,880 A 5/1969 Warner
3,791,330 A 2/1974 Haddad
3,971,287 A 7/1976 Ito
4,112,808 A 9/1978 Ketterer
4,480,352 A 11/1984 Eggett
4,525,411 A 6/1985 Schmidt
4,528,889 A 7/1985 Gentile, Jr.
4,539,228 A 9/1985 Lazarus
4,947,476 A 8/1990 Seaburg
4,972,543 A 11/1990 Michaels
D329,374 S 9/1992 Kaga
D350,232 S 9/1994 Stangarone et al.

D365,425 S 12/1995 Breshears
D367,744 S 3/1996 White
5,569,863 A 10/1996 Lem
D384,459 S 9/1997 Eisenman
5,674,084 A 10/1997 Fukamachi
D428,224 S 7/2000 Alexander
6,446,638 B1 9/2002 Horman
6,560,811 B1 * 5/2003 Krause et al. 15/210.1
7,005,035 B2 2/2006 O'Neill et al.
D559,486 S * 1/2008 Kiyotomo D32/40
D563,067 S 2/2008 Byrne et al.
2005/0066794 A1 3/2005 Beerbohm
2005/0145096 A1 7/2005 Kalousek
2006/0048793 A1 3/2006 Chiappetta

OTHER PUBLICATIONS

"GHS Fast Fret—SameDayMusic.com". [Retrieved Sep. 6, 2004].
Retrieved from Internet: URL: < <http://www.samedaymusic.com/product--GHSMSFF>>. 2pgs.

"PCT International Search Report of the International Searching
Authority", mailed Jun. 22, 2006, for PCT/US05/31768, 3pgs.

* cited by examiner

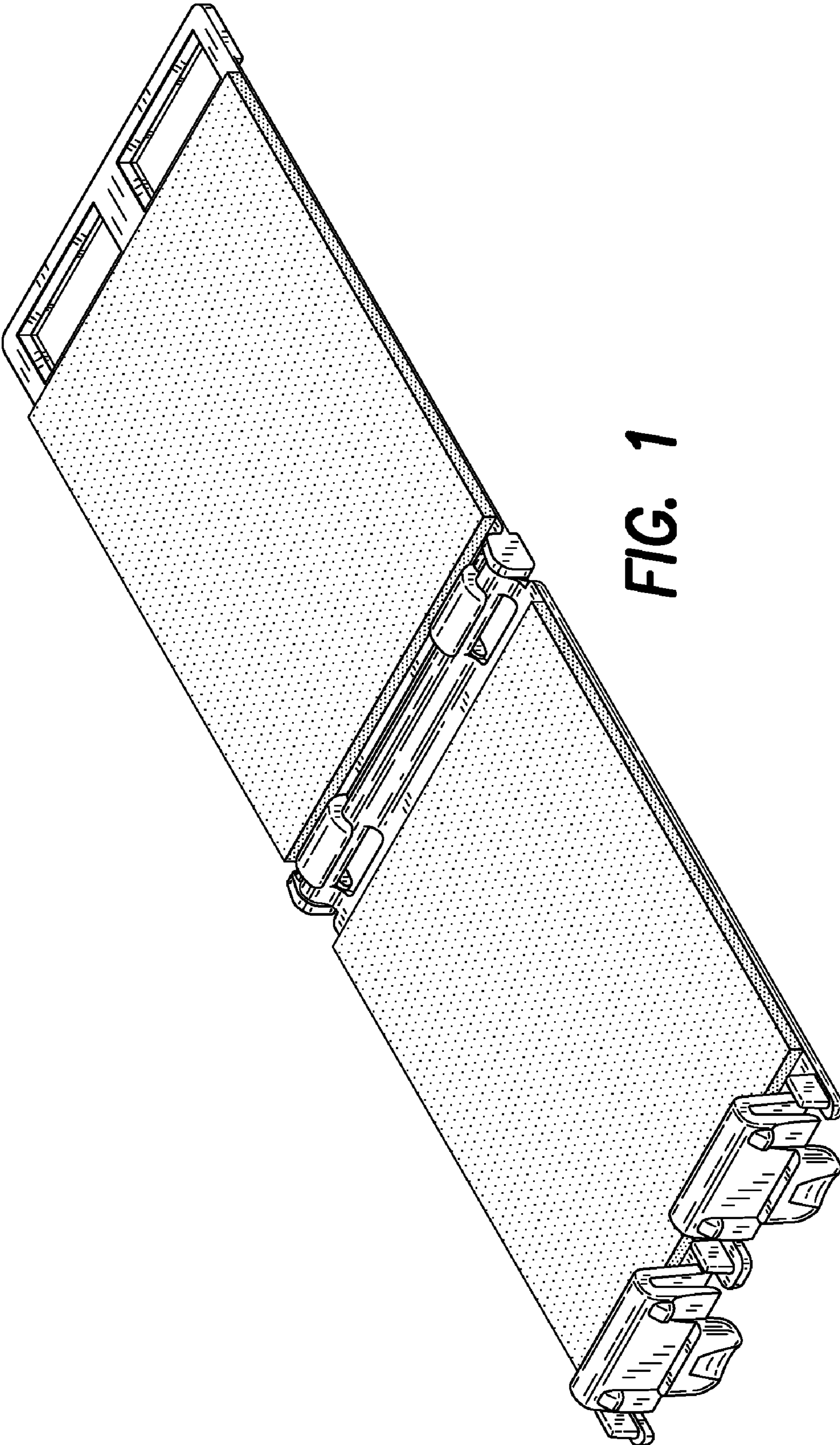


FIG. 1

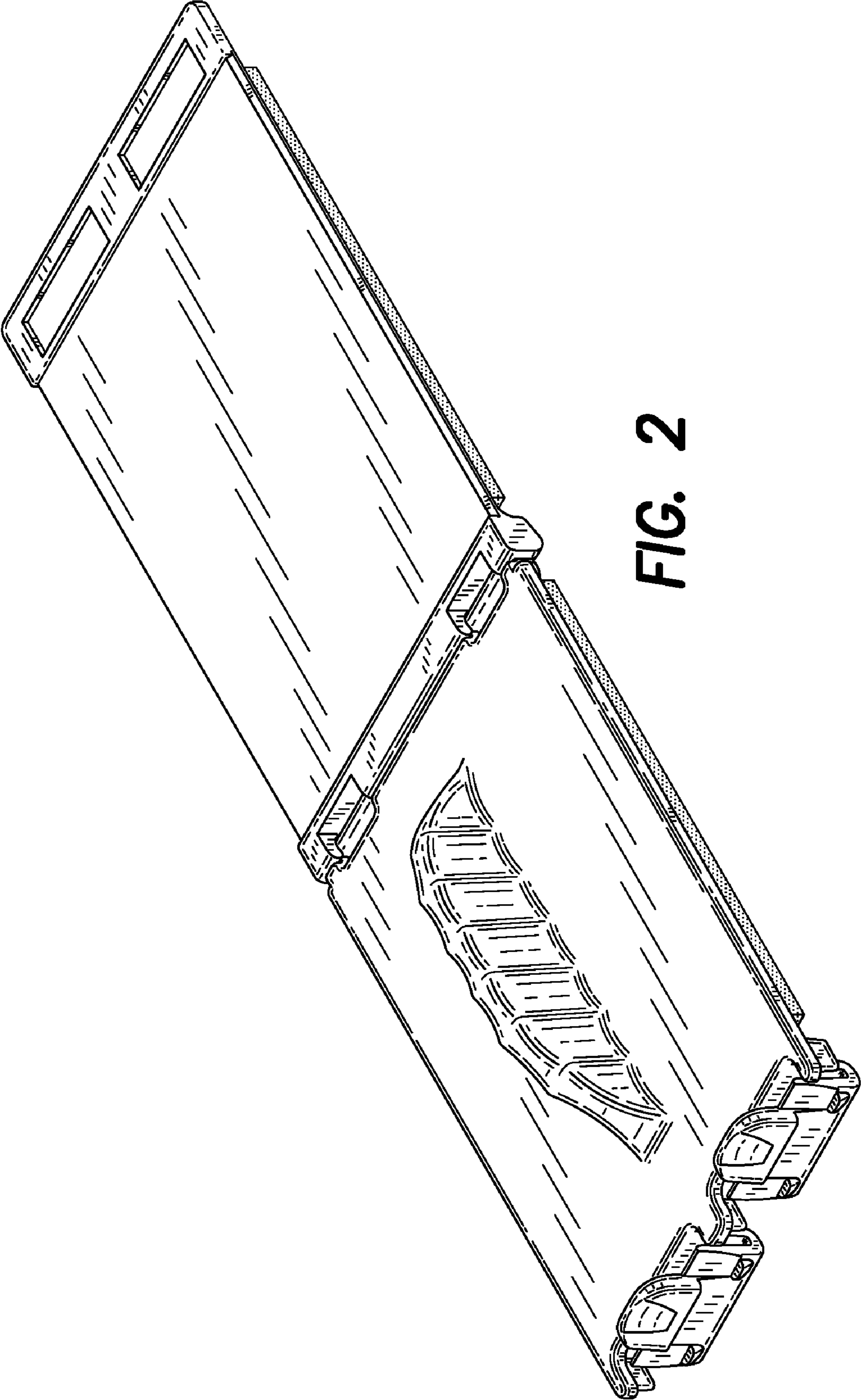


FIG. 2

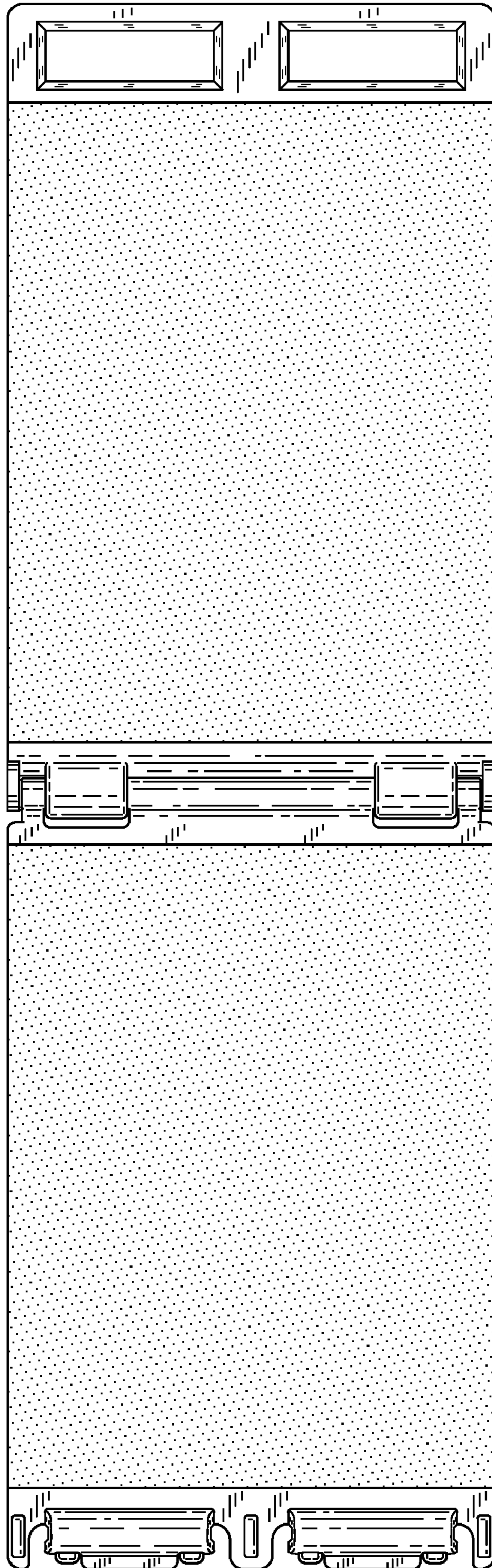


FIG. 3

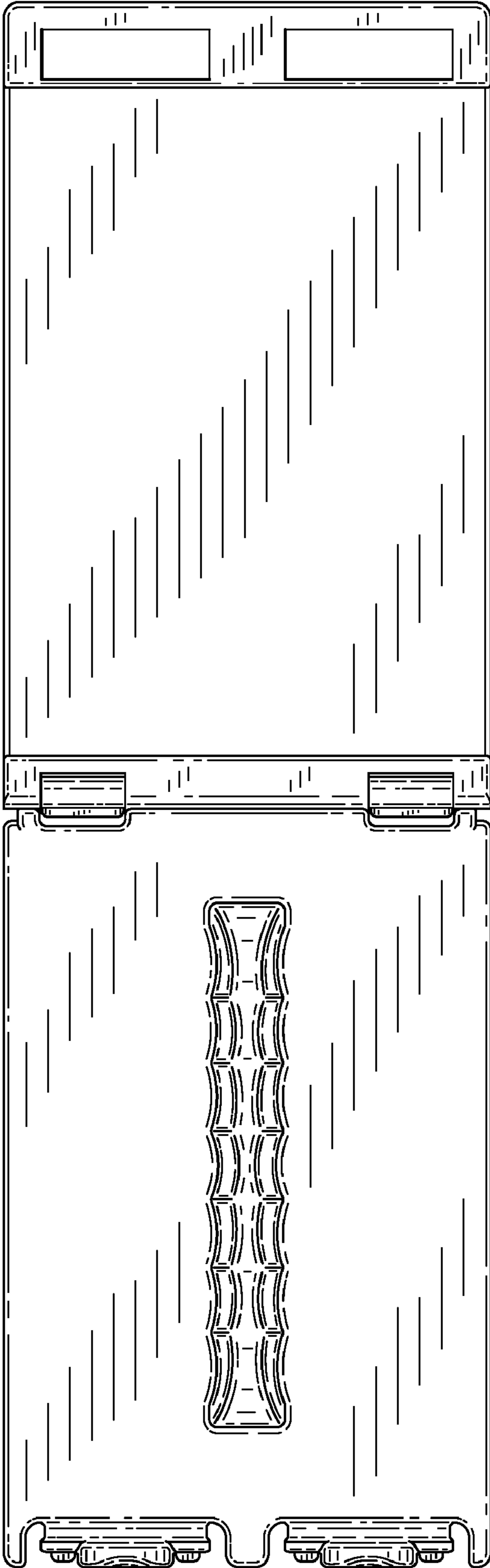


FIG. 4

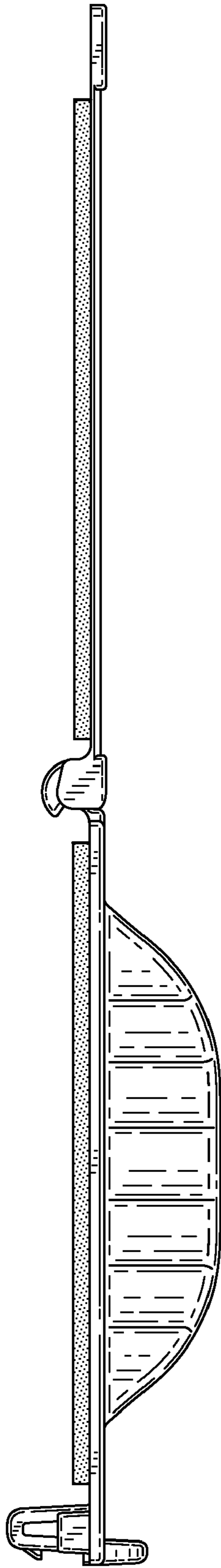


FIG. 5

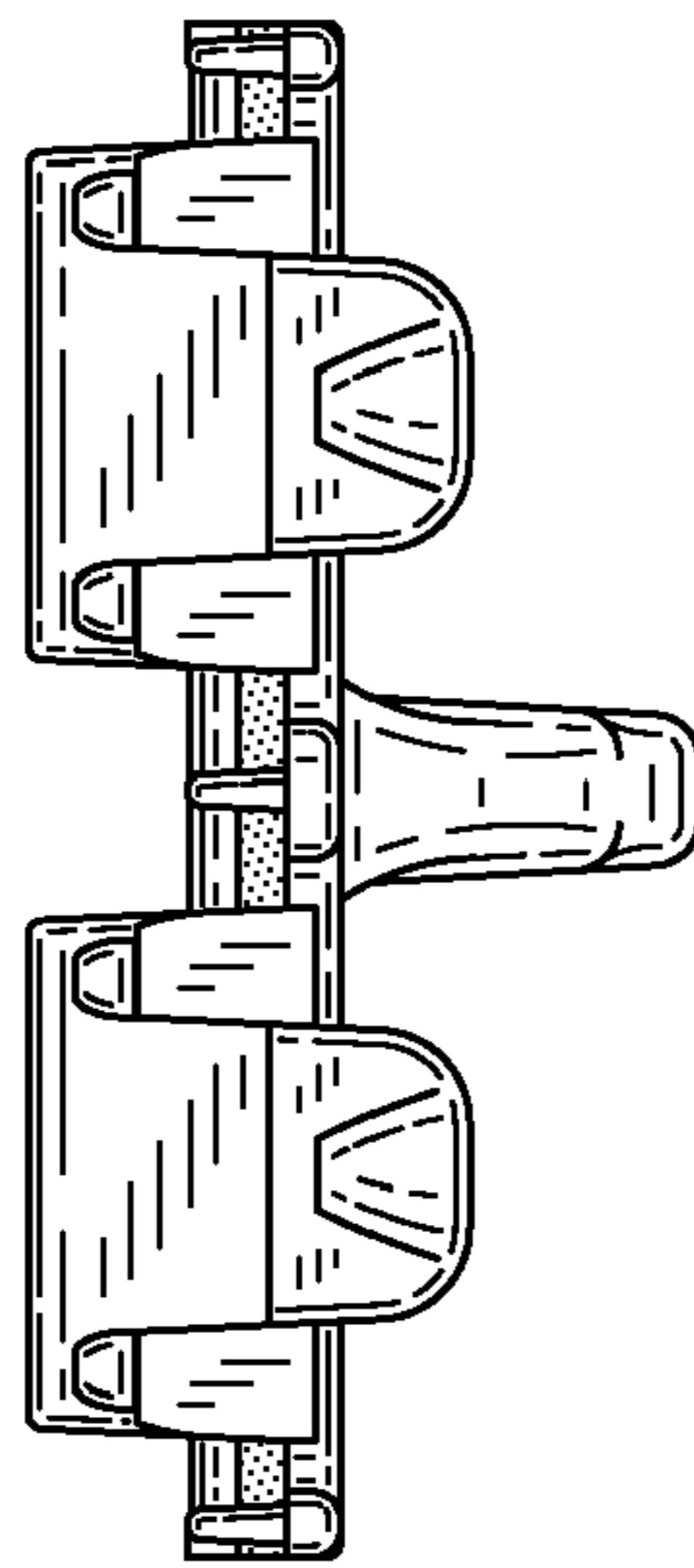


FIG. 6

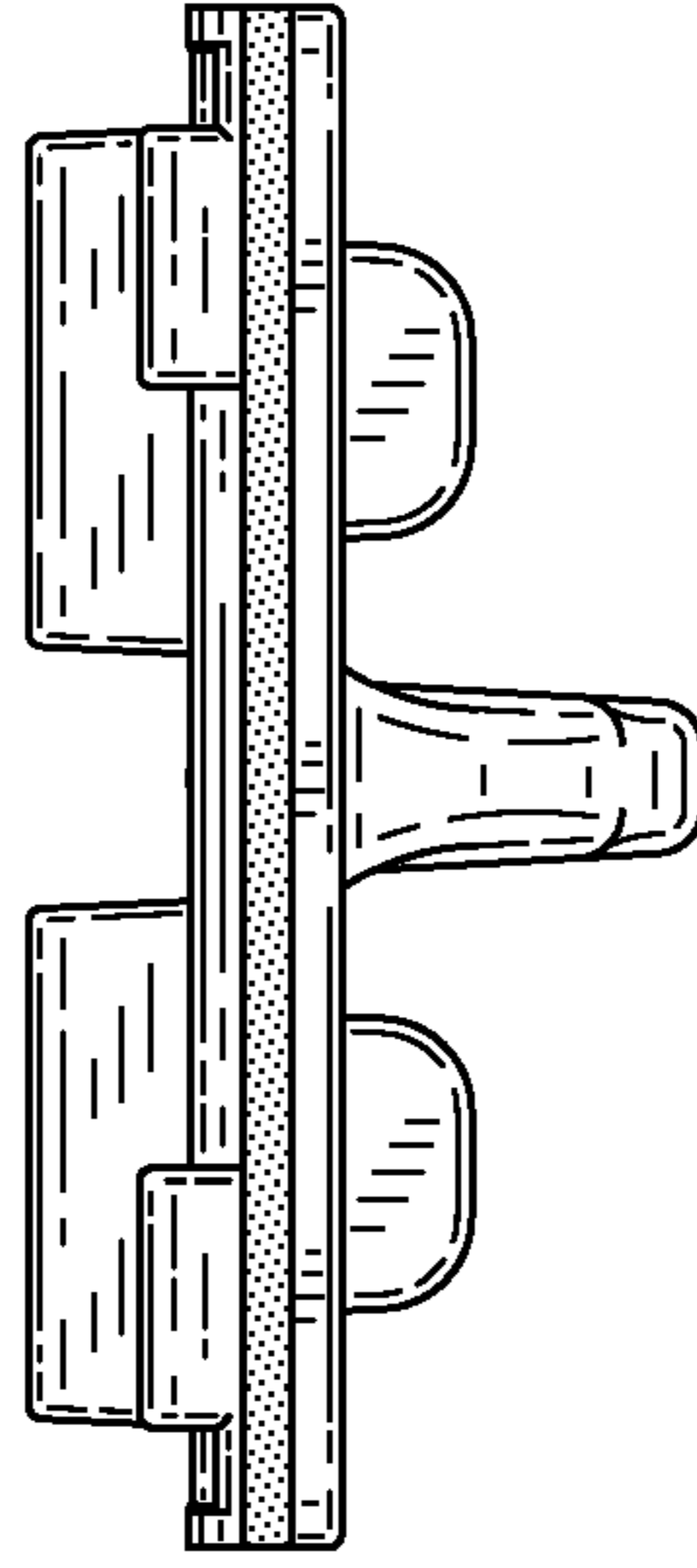


FIG. 7

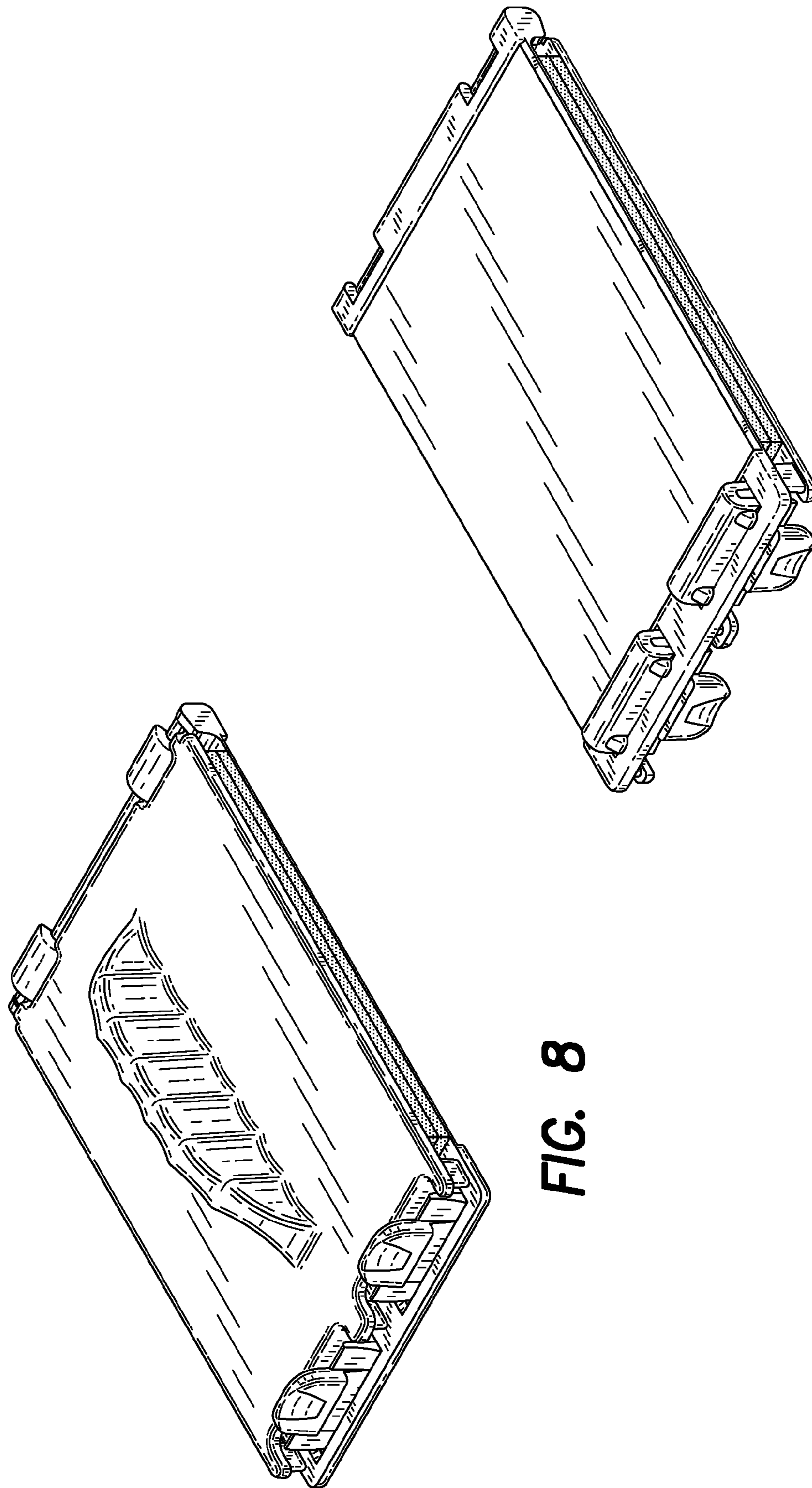


FIG. 8

FIG. 9

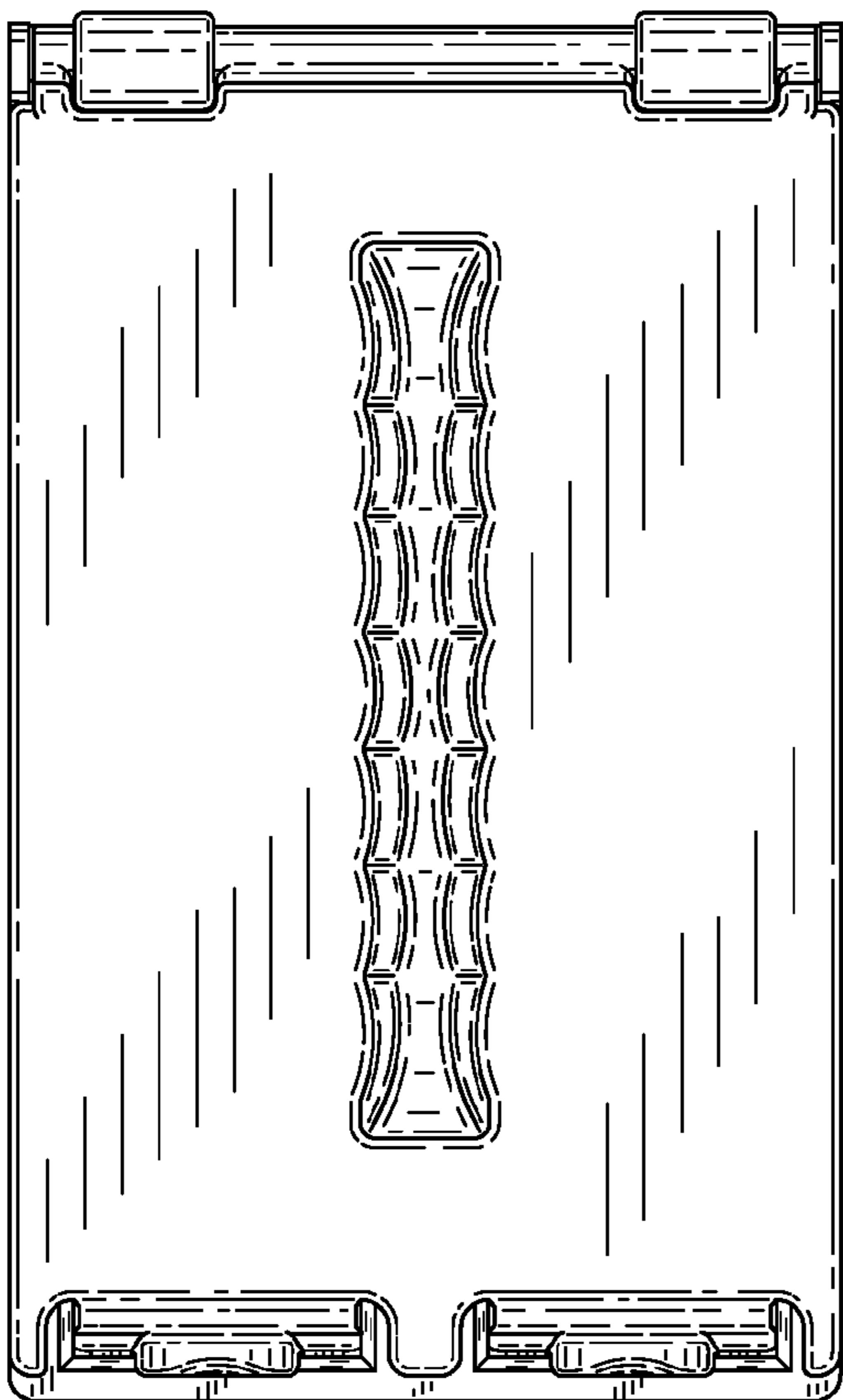


FIG. 10

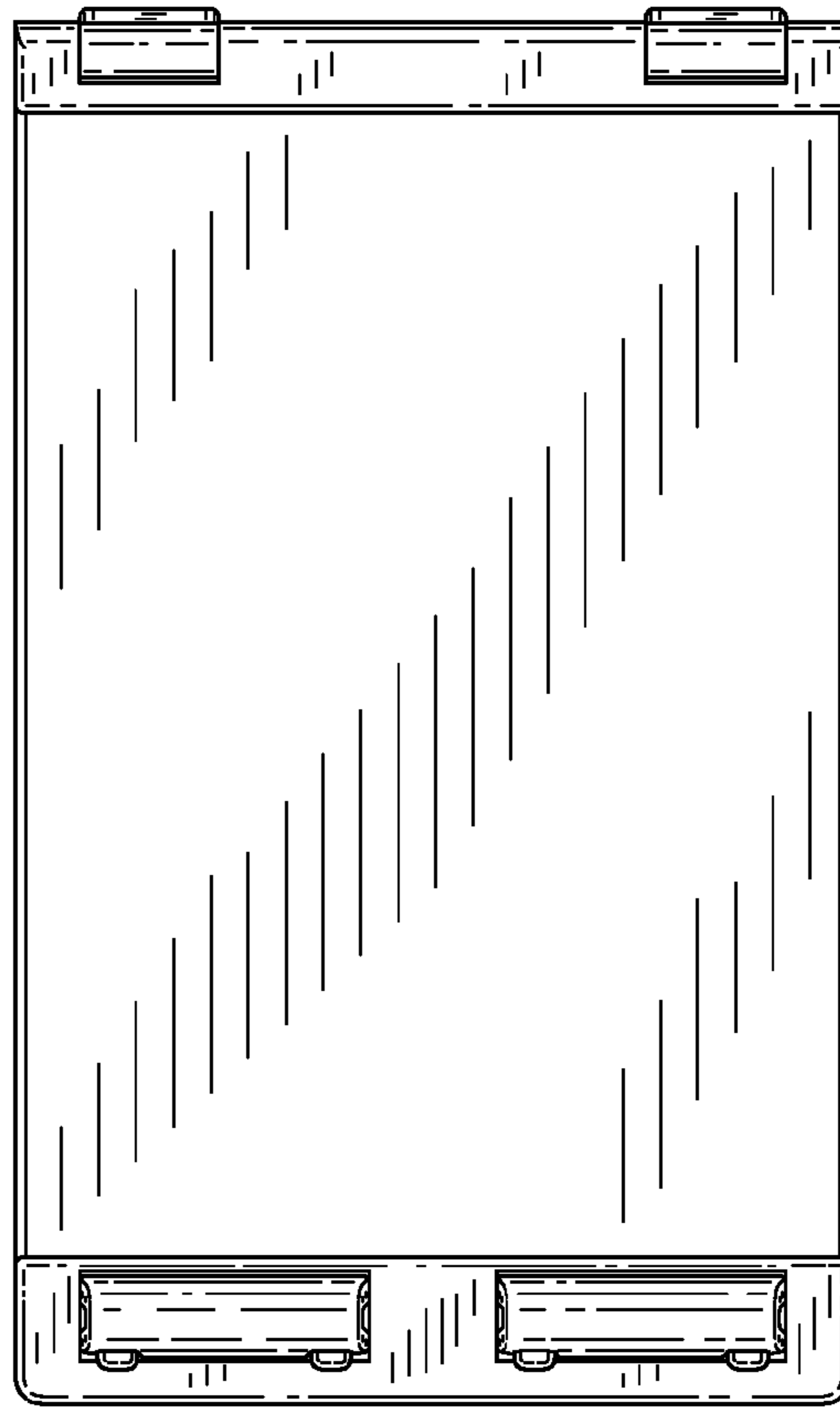


FIG. 11

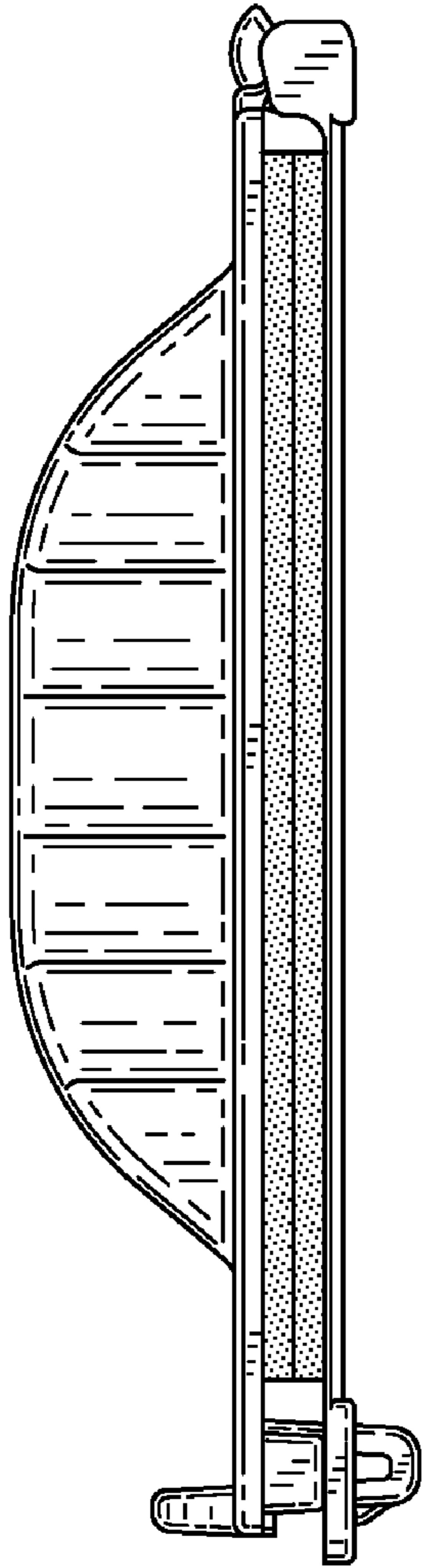


FIG. 12

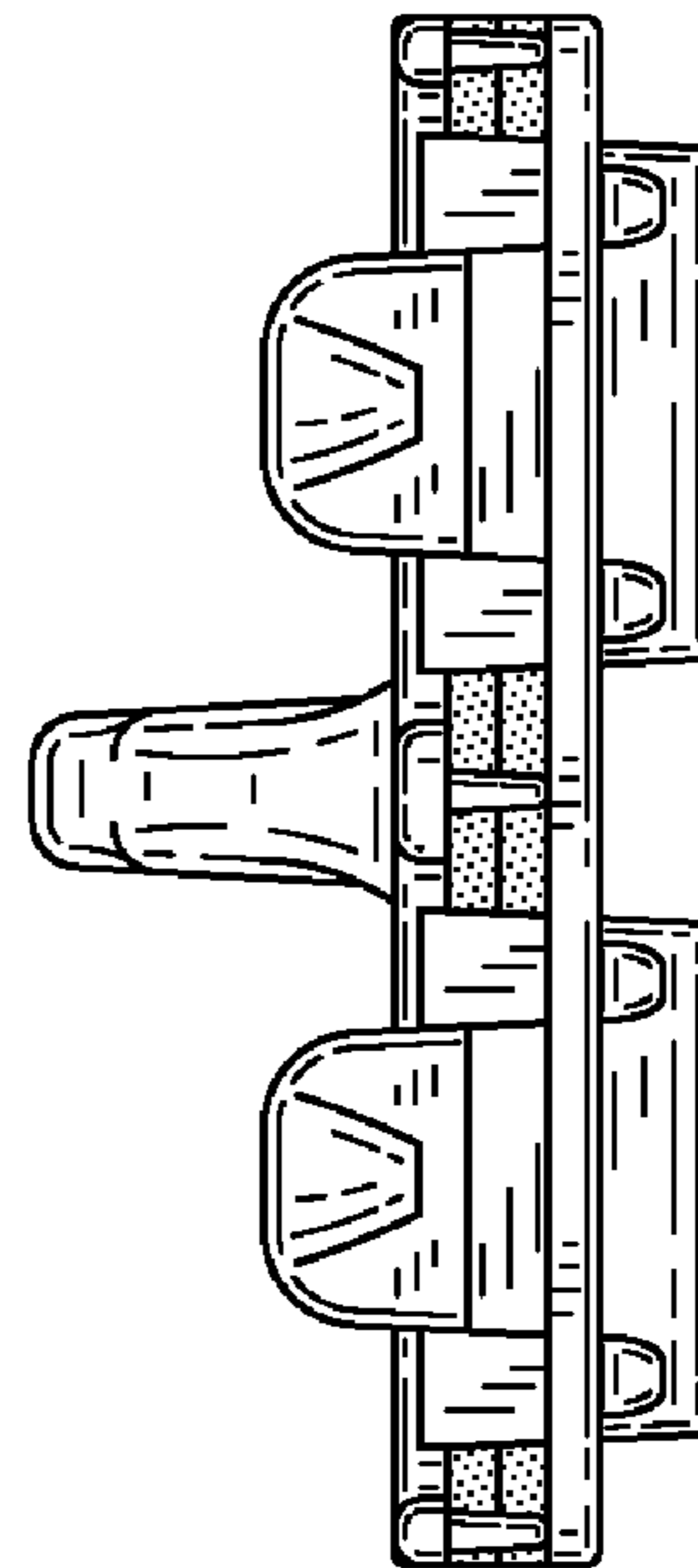


FIG. 13

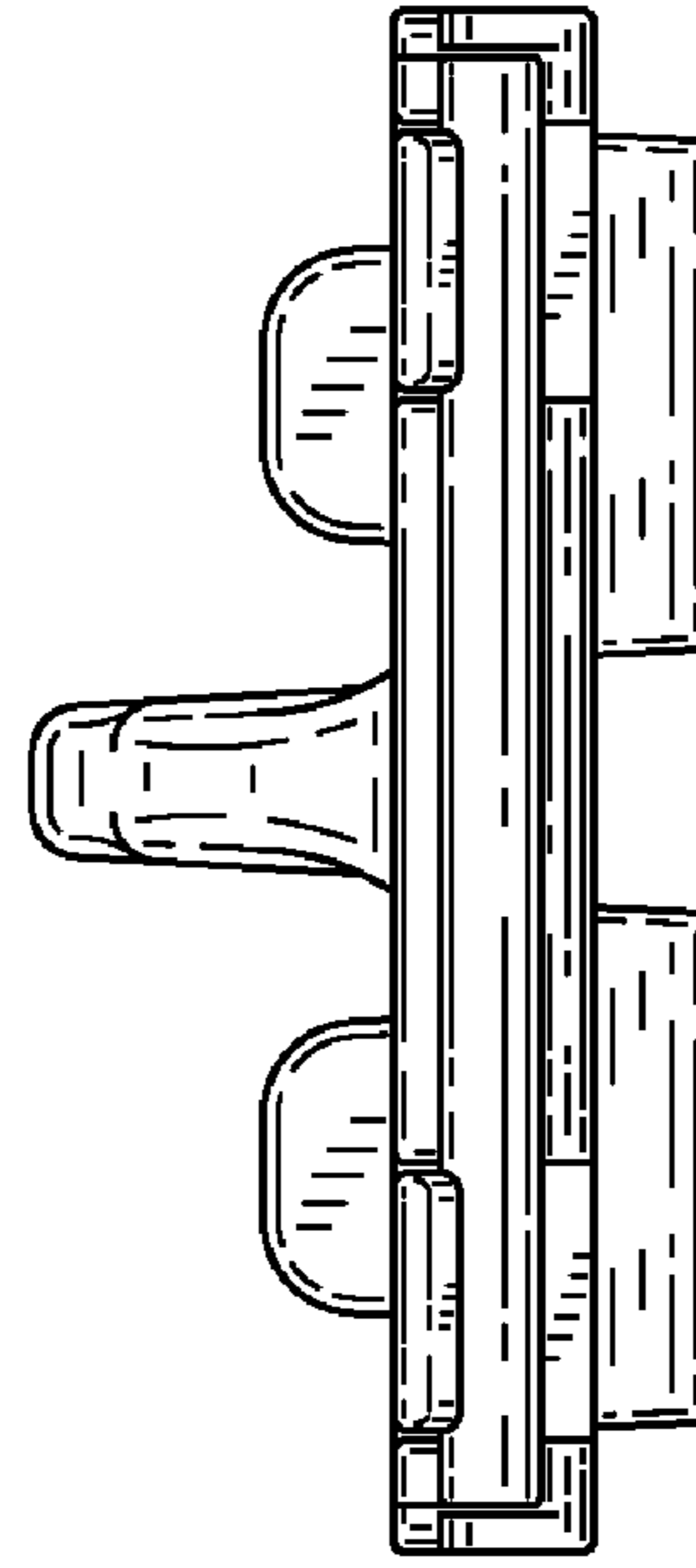


FIG. 14