



US00D612556S

(12) **United States Design Patent**  
**Catron**

(10) **Patent No.:** **US D612,556 S**

(45) **Date of Patent:** **\*\* Mar. 23, 2010**

(54) **VACUUM**

D499,220 S \* 11/2004 Kim ..... D32/22  
D571,065 S \* 6/2008 Luebbering ..... D32/31

(75) Inventor: **Mark Allen Catron**, Winchester, VA  
(US)

\* cited by examiner

(73) Assignee: **Rubbermaid Commercial Products LLC**, Winchester, VA (US)

*Primary Examiner*—Ruth McInroy  
(74) *Attorney, Agent, or Firm*—Foley & Lardner LLP

(\*\*) Term: **14 Years**

(57) **CLAIM**

(21) Appl. No.: **29/306,691**

I claim the ornamental design for a vacuum, as shown and described.

(22) Filed: **Apr. 14, 2008**

**DESCRIPTION**

(51) **LOC (9) Cl.** ..... **15-05**

(52) **U.S. Cl.** ..... **D32/22**

(58) **Field of Classification Search** ..... D32/22,  
D32/30-31; 15/320, 329, 335, 340.2, 347,  
15/350-353, 361, 363, 410, 412, 414, 327.1,  
15/327.2, 327.4, 327.6, 415.1, 411; 55/345,  
55/DIG. 3, 336, 337, 429, 343, 433, 418;  
95/271; 301/7, 63.101; 280/78, 47.31, 205  
See application file for complete search history.

FIG. 1 is a top, front, and left side perspective view of a vacuum showing my new design;

FIG. 2 is a front view thereof;

FIG. 3 is a rear view thereof;

FIG. 4 is a right side view thereof;

FIG. 5 is a left side view thereof;

FIG. 6 is a top view thereof; and,

FIG. 7 is a bottom view thereof.

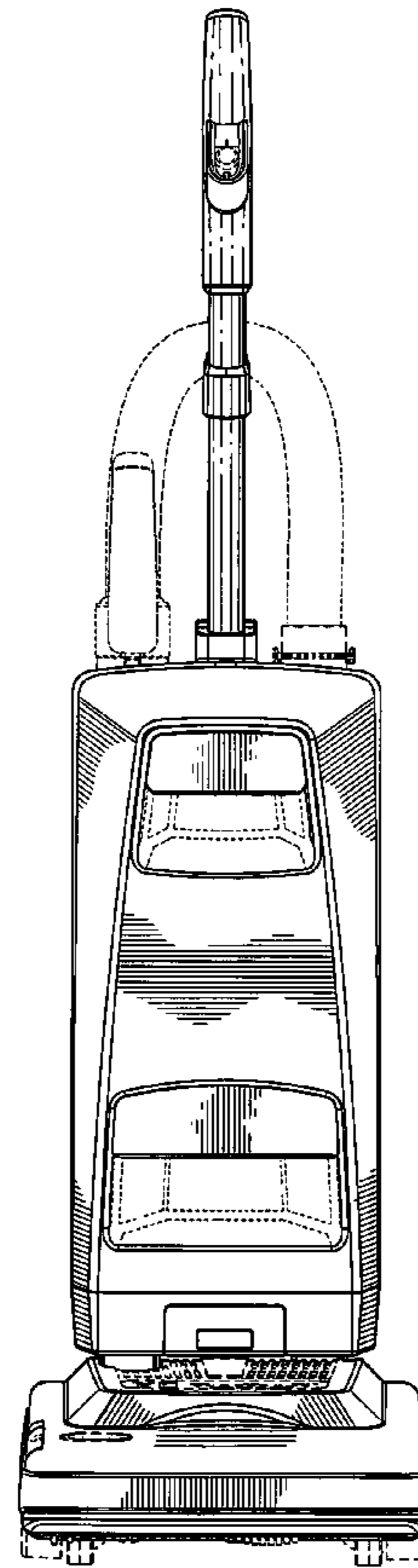
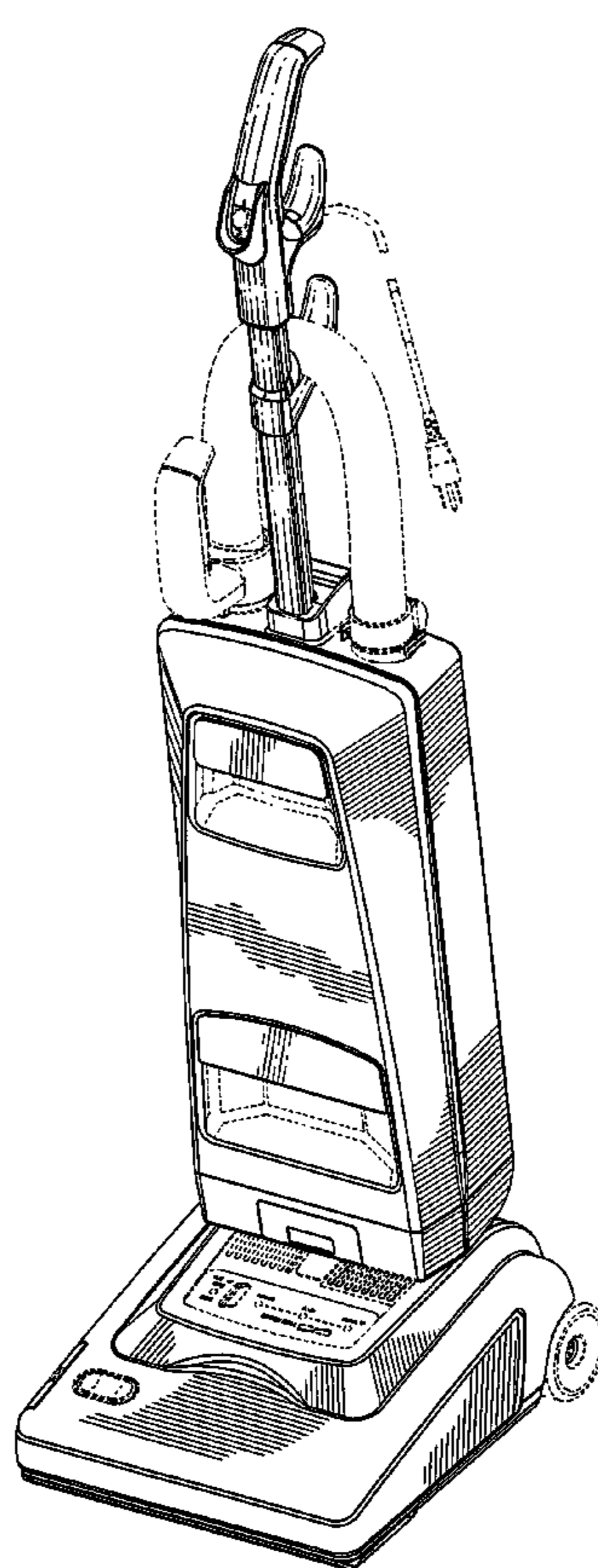
The ornamental design which is claimed is shown in solid lines in the drawings. The broken lines in the drawings are for illustrative purposes only and form no part of the claimed design.

(56) **References Cited**

**U.S. PATENT DOCUMENTS**

D293,727 S \* 1/1988 Wareham et al. .... D32/22  
D293,728 S \* 1/1988 Ohhira et al. .... D32/22  
D339,433 S \* 9/1993 Stein et al. .... D32/22  
D497,042 S \* 10/2004 Elrod ..... D32/22

**1 Claim, 6 Drawing Sheets**



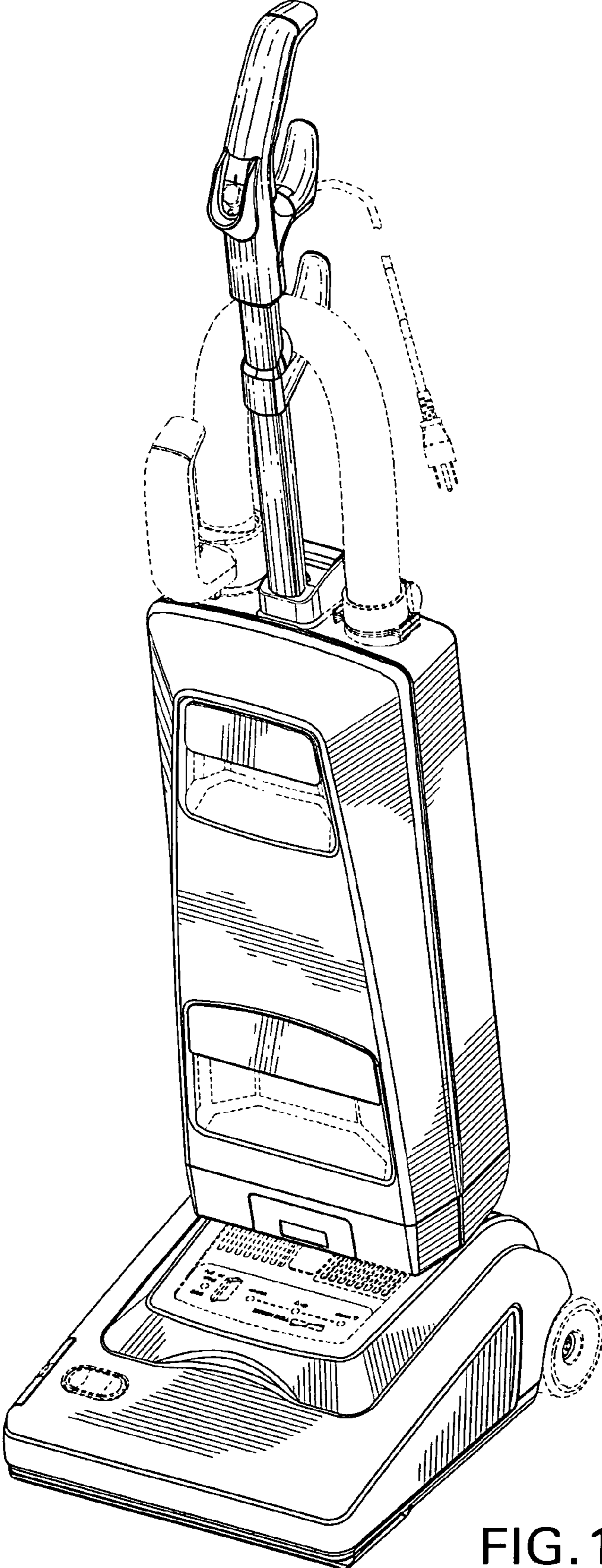


FIG. 1

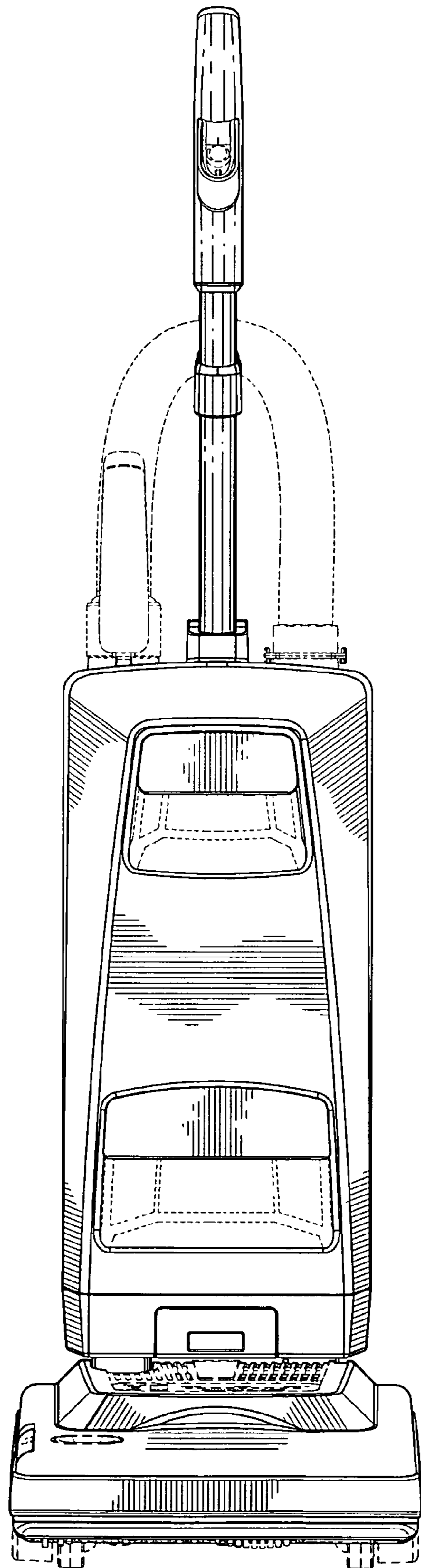


FIG.2

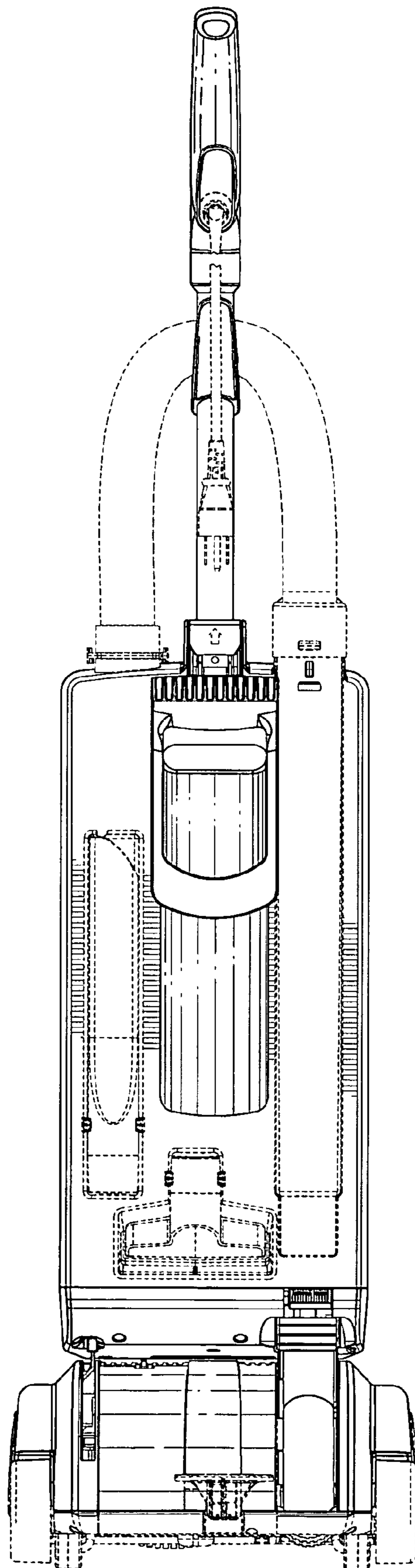


FIG. 3

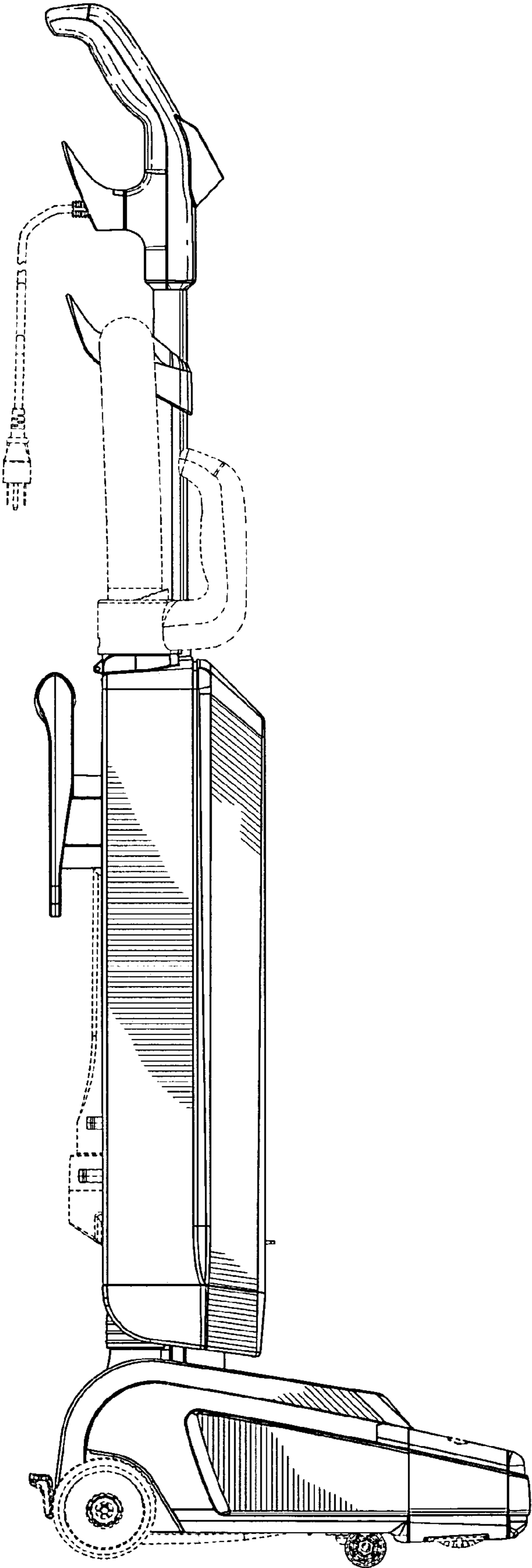


FIG.4

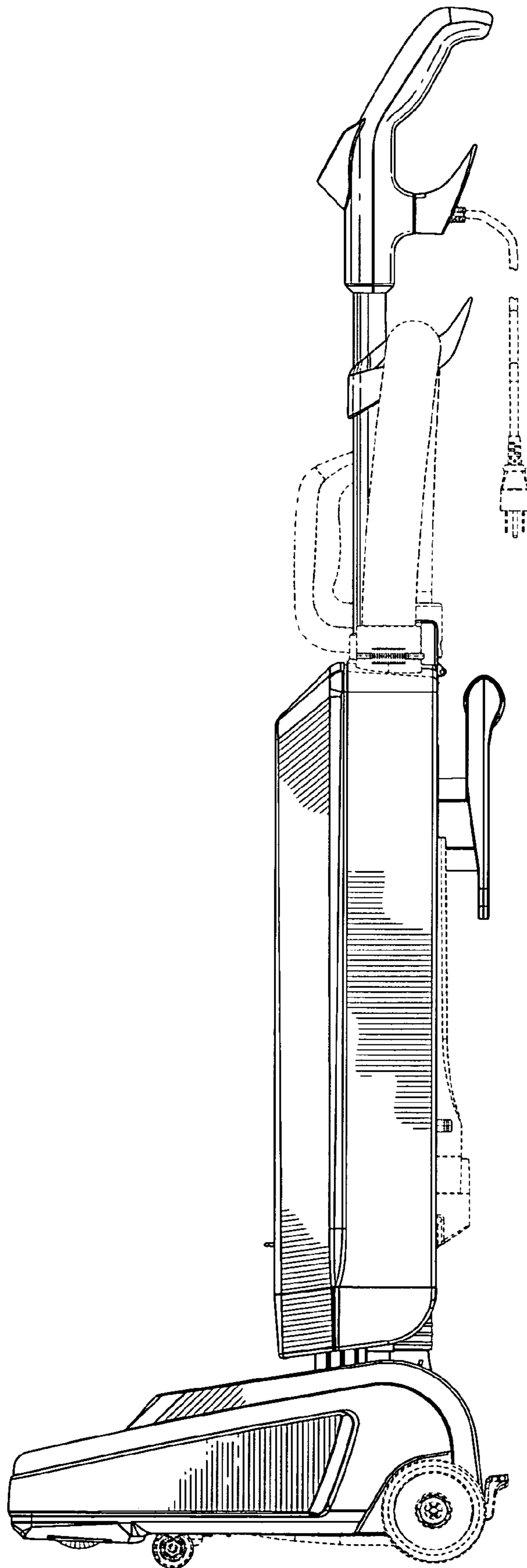


FIG. 5

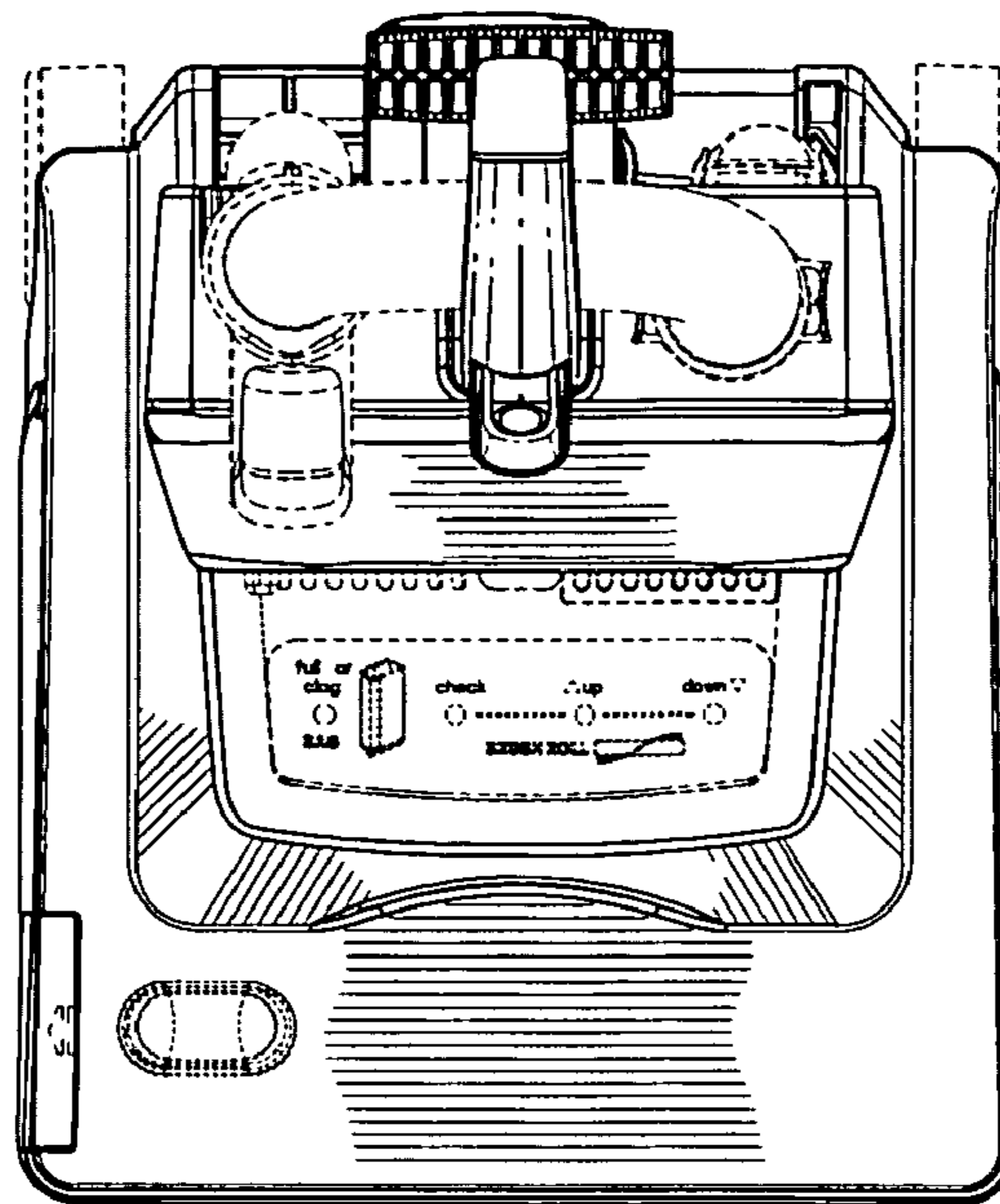


FIG. 6

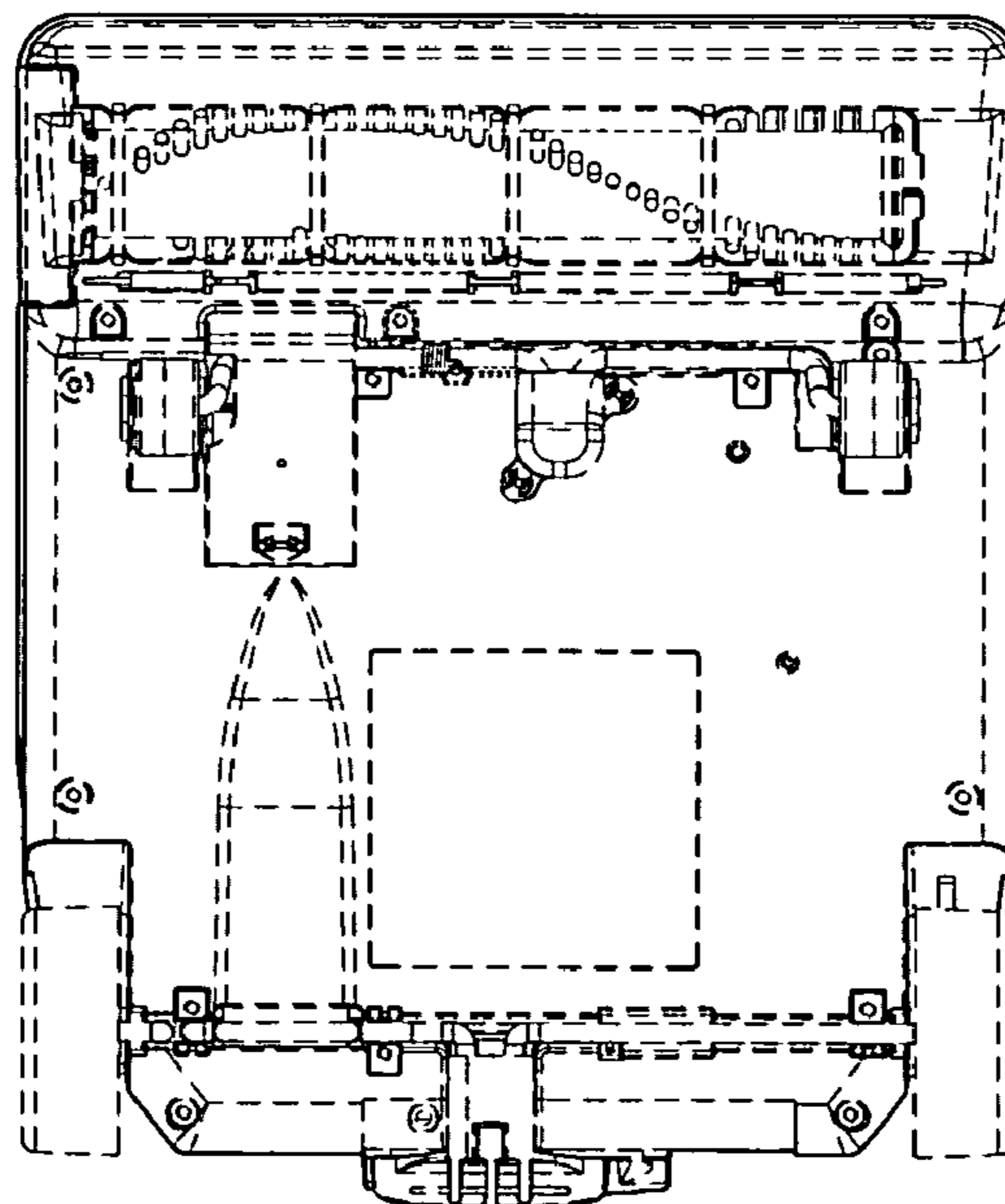


FIG. 7