



US00D612554S

(12) **United States Design Patent**
Seager et al.

(10) **Patent No.:** **US D612,554 S**

(45) **Date of Patent:** **** Mar. 23, 2010**

(54) **LITTER BOX WITH AIR FILTER**

(75) Inventors: **Nicholas Seager**, Delray Beach, FL (US); **Justin Crout**, West Palm Beach, FL (US); **Johnson Hsu**, Framingham, MA (US); **Hratch Nerkizian**, Boynton Beach, FL (US)

(73) Assignee: **Sunbeam Products, Inc.**, Boca Raton, FL (US)

(**) Term: **14 Years**

(21) Appl. No.: **29/321,392**

(22) Filed: **Jul. 16, 2008**

(51) **LOC (9) Cl.** **30-99**

(52) **U.S. Cl.** **D30/161**

(58) **Field of Classification Search** D30/108,
D30/118, 161; 119/161-170, 482, 28.5,
119/496, 500

See application file for complete search history.

(56) **References Cited**

U.S. PATENT DOCUMENTS

D496,501 S * 9/2004 Walter et al. D30/161
D524,492 S * 7/2006 Wan et al. D30/161

D527,498 S * 8/2006 Lewis, II D30/161
2005/0183672 A1 * 8/2005 Lewis, II 119/165
2005/0211179 A1 * 9/2005 Lewis, II 119/168

* cited by examiner

Primary Examiner—Mitchell I Siegel
(74) *Attorney, Agent, or Firm*—Seth M. Blum

(57) **CLAIM**

The ornamental design for a litter box with air filter, as shown and described.

DESCRIPTION

FIG. 1 is a top front right perspective view of the litter box with air filter showing the new design;

FIG. 2 is a front elevation view thereof;

FIG. 3 is a right side elevation view thereof;

FIG. 4 is a rear elevation view thereof;

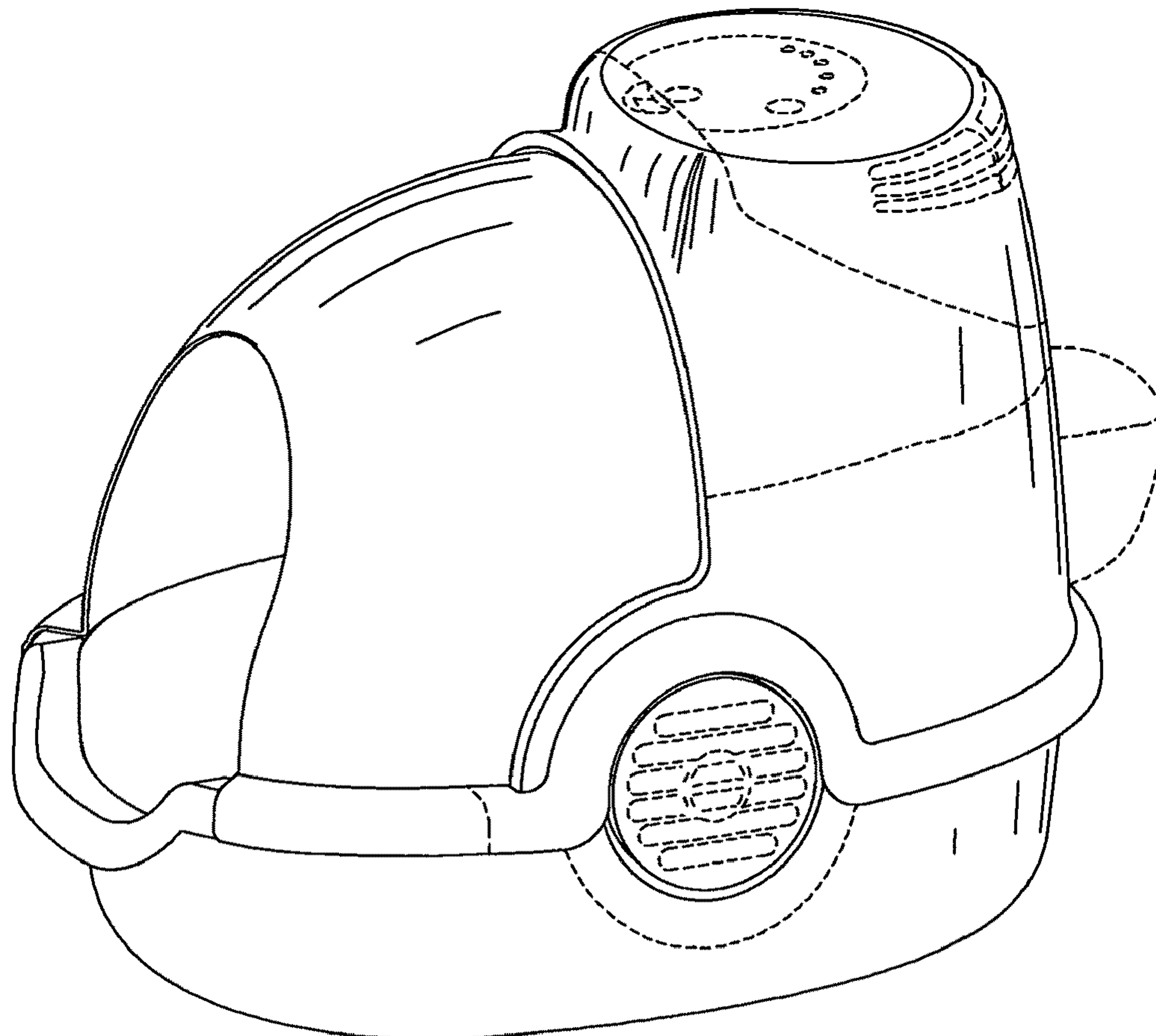
FIG. 5 is a left side elevation view thereof;

FIG. 6 is a top plan view thereof; and,

FIG. 7 is a bottom plan view thereof.

The broken lines in the drawings are for illustrative purposes only and form no part of the claimed design.

1 Claim, 7 Drawing Sheets



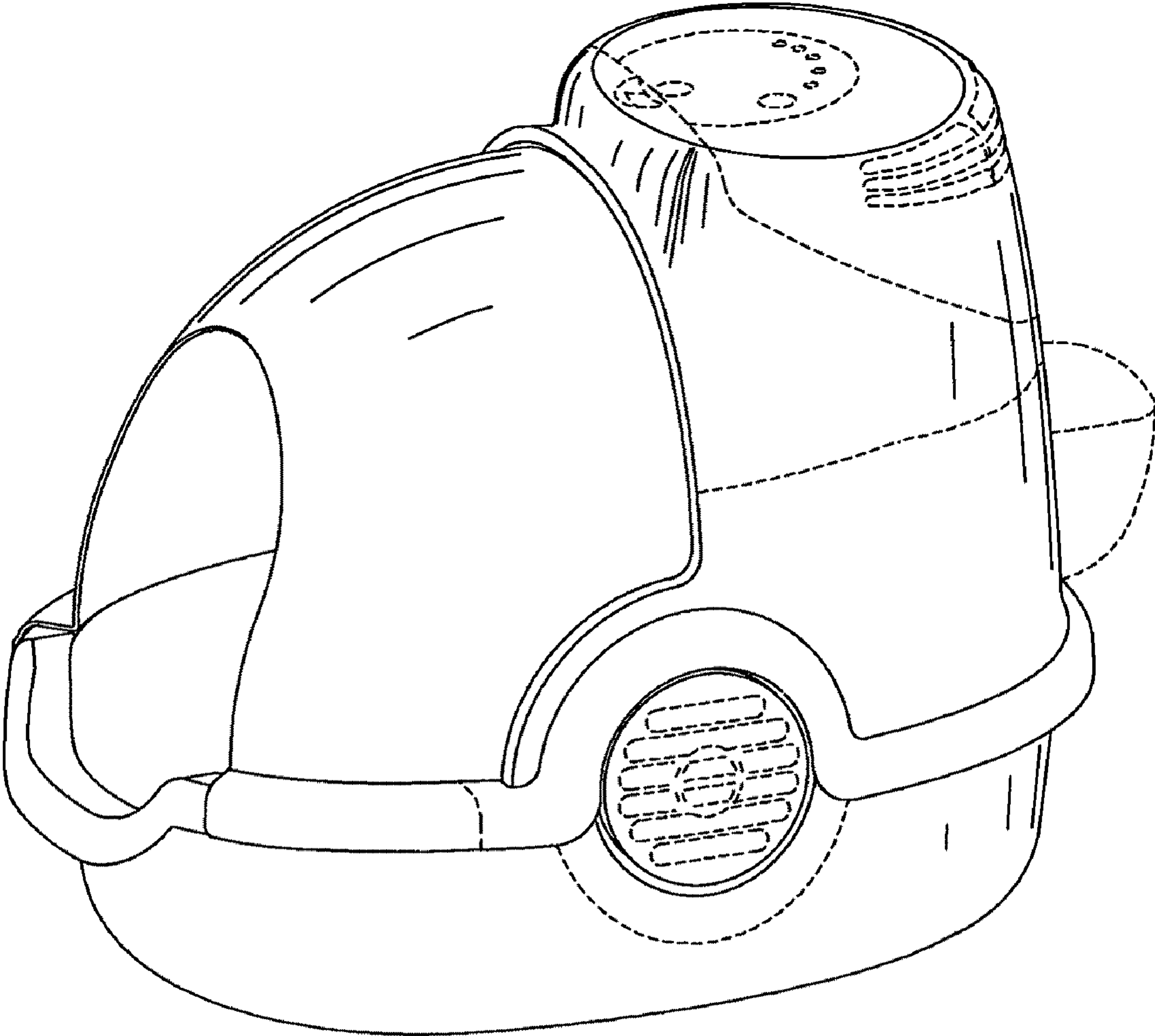


FIG 1

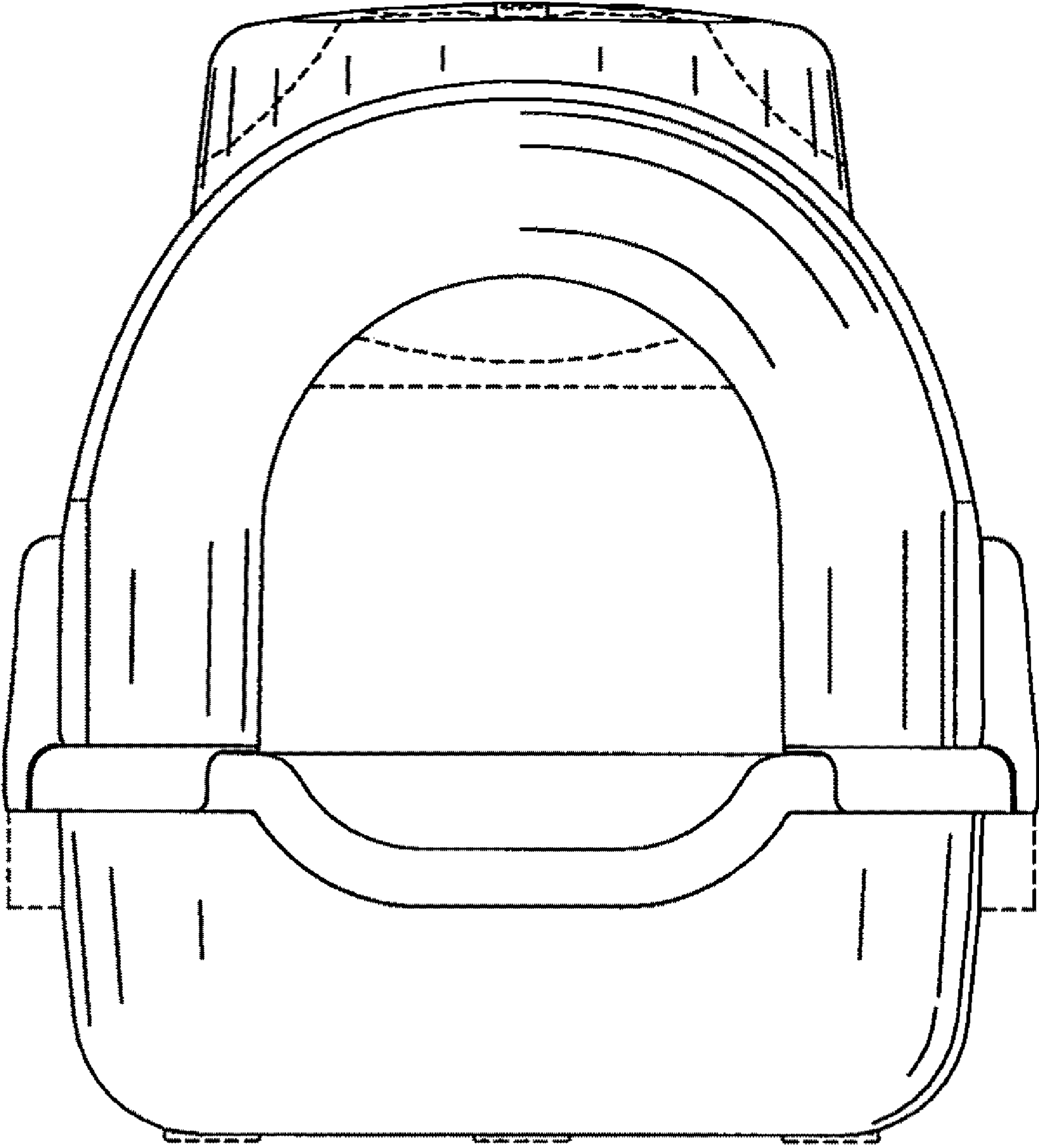


FIG 2

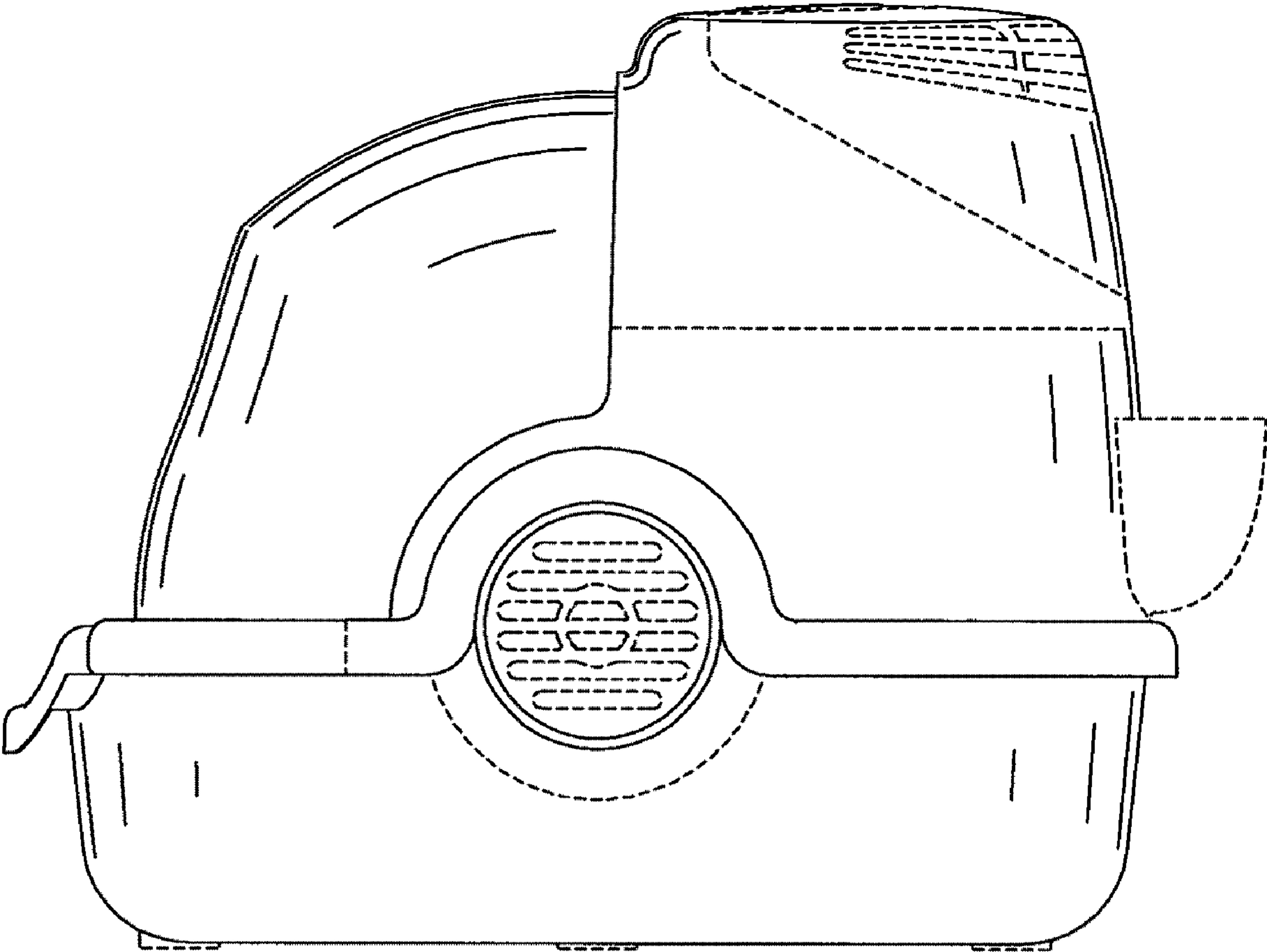


FIG 3

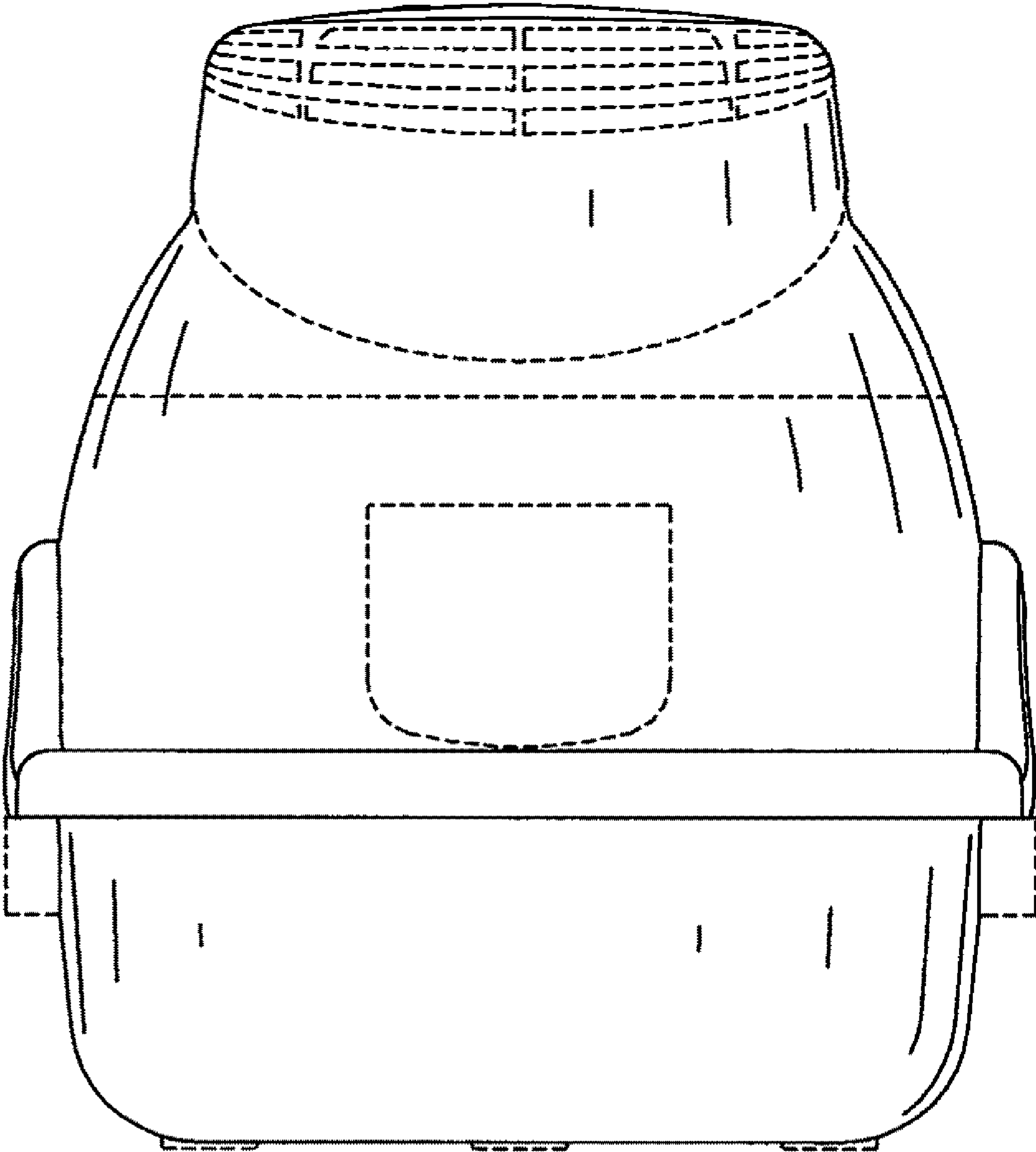


FIG 4

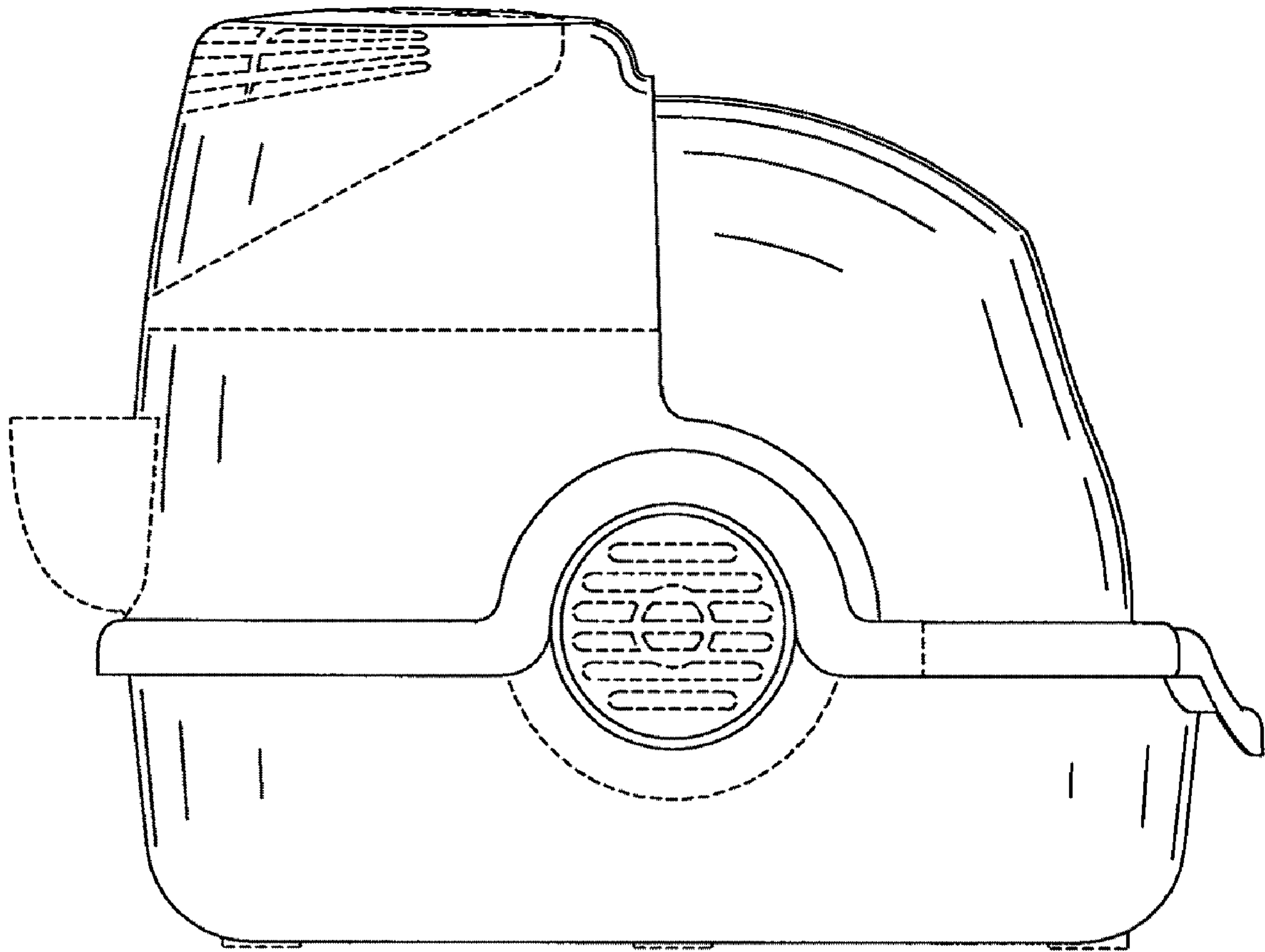


FIG 5

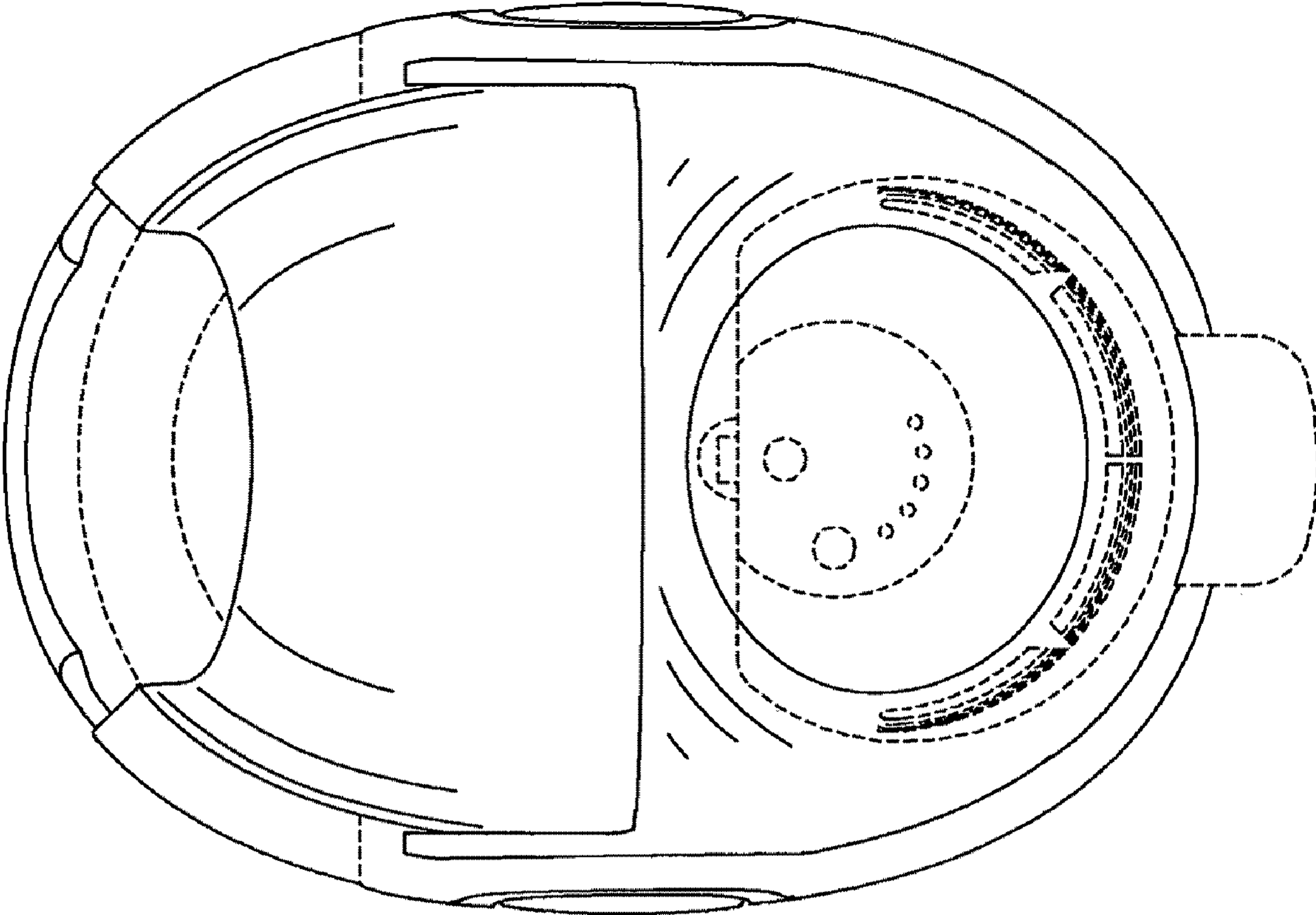


FIG 6

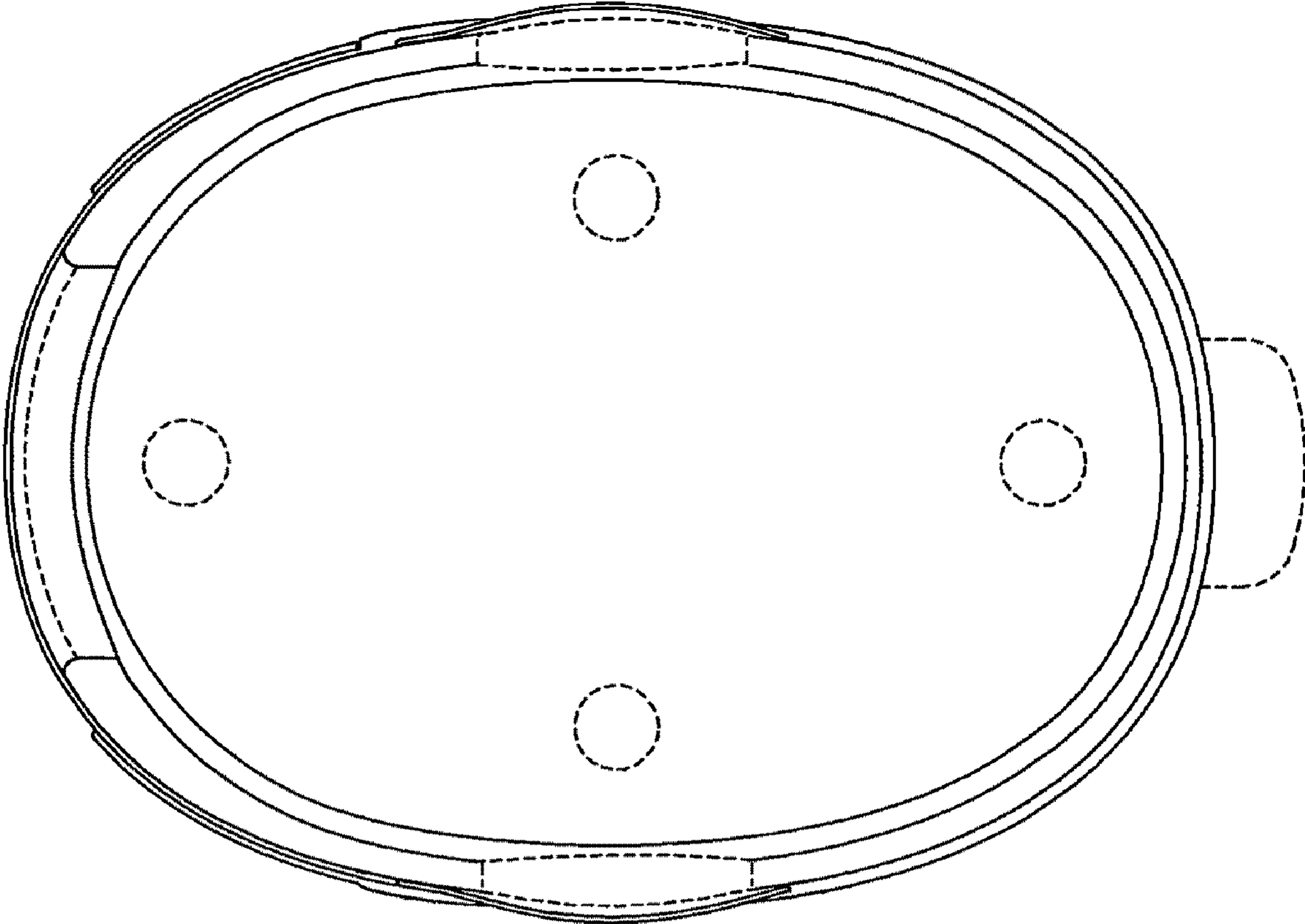


FIG 7