



US00D612553S

(12) **United States Design Patent**
Stetelman

(10) **Patent No.:** **US D612,553 S**
(45) **Date of Patent:** **** Mar. 23, 2010**

(54) **CAT LITTER BOX**

(57) **CLAIM**

(76) Inventor: **Andrew Stetelman**, 3906 Hardy St.,
Hattiesburg, MS (US) 39402

The ornamental design for a cat litter box, as shown and described.

(**) Term: **14 Years**

DESCRIPTION

(21) Appl. No.: **29/309,519**

FIG. 1 is a perspective view showing my new design for a cat litter box,

(22) Filed: **Aug. 26, 2008**

FIG. 2 is a plan view thereof,

(51) **LOC (9) Cl.** **30-99**

FIG. 3 is a bottom view thereof,

(52) **U.S. Cl.** **D30/161**

FIG. 4 is a front view thereof,

(58) **Field of Classification Search** D30/108,
D30/118-120, 161; 119/161-170, 652
See application file for complete search history.

FIG. 5 is a rear view thereof,

FIG. 6 is a left side view thereof,

FIG. 7 is a right side view thereof,

(56) **References Cited**

FIG. 8 is a perspective view of an alternate embodiment,

U.S. PATENT DOCUMENTS

FIG. 9 is a plan view thereof,

D272,198 S * 1/1984 Webb et al. D30/161

FIG. 10 is a bottom view thereof,

D351,693 S * 10/1994 Sutton D30/161

FIG. 11 is a front view thereof,

D486,271 S * 2/2004 Spence et al. D30/118

FIG. 12 is a rear view thereof,

D518,248 S * 3/2006 Northrop D30/161

FIG. 13 is a left side view thereof; and,

FIG. 14 is a right side view thereof.

* cited by examiner

The portions shown in dotted lines are for illustrative purposes only, forming no part of the claimed design.

Primary Examiner—Mitchell I Siegel

1 Claim, 14 Drawing Sheets

(74) *Attorney, Agent, or Firm*—Jacobson Holman PLLC

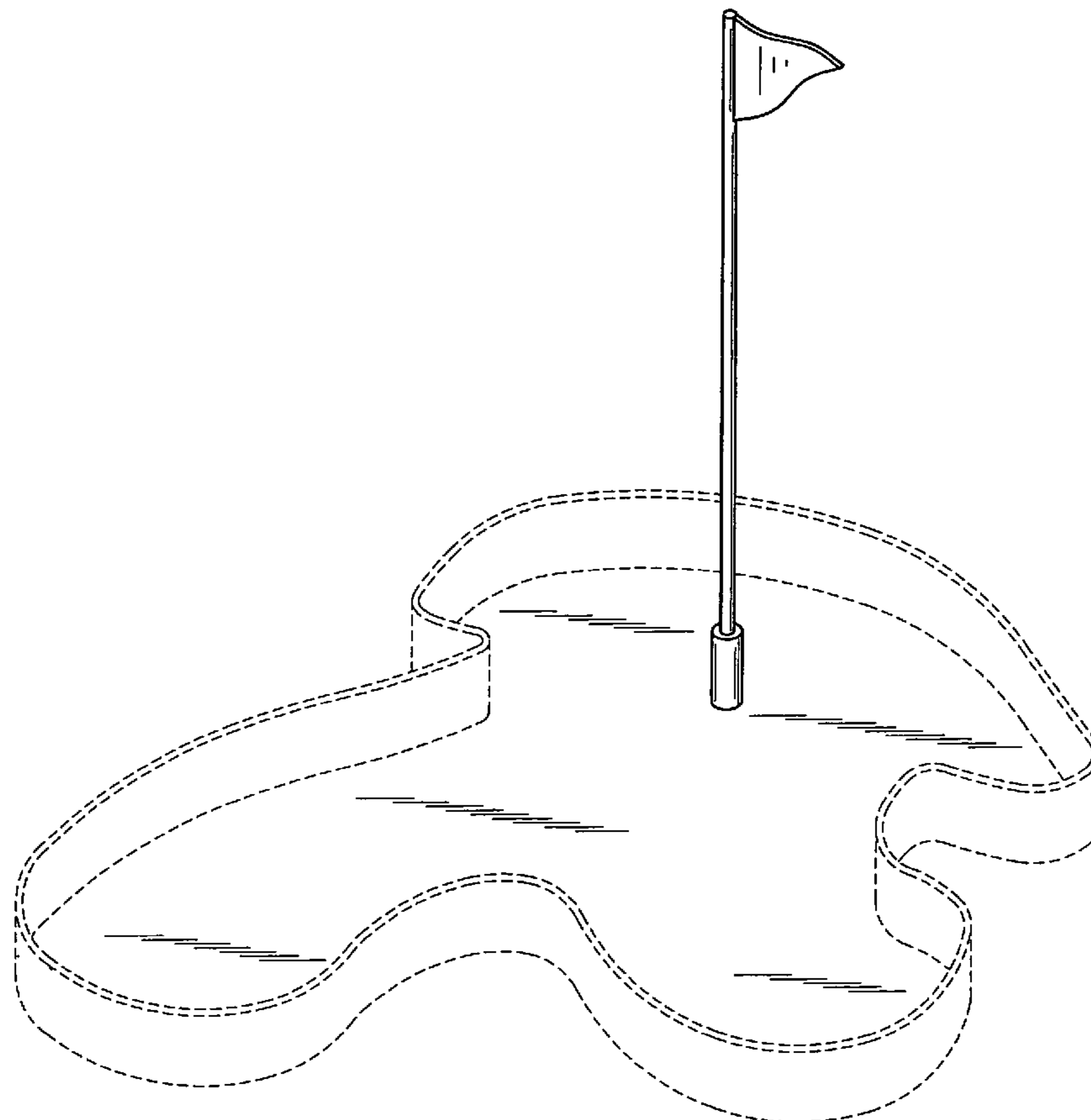


FIG. 1

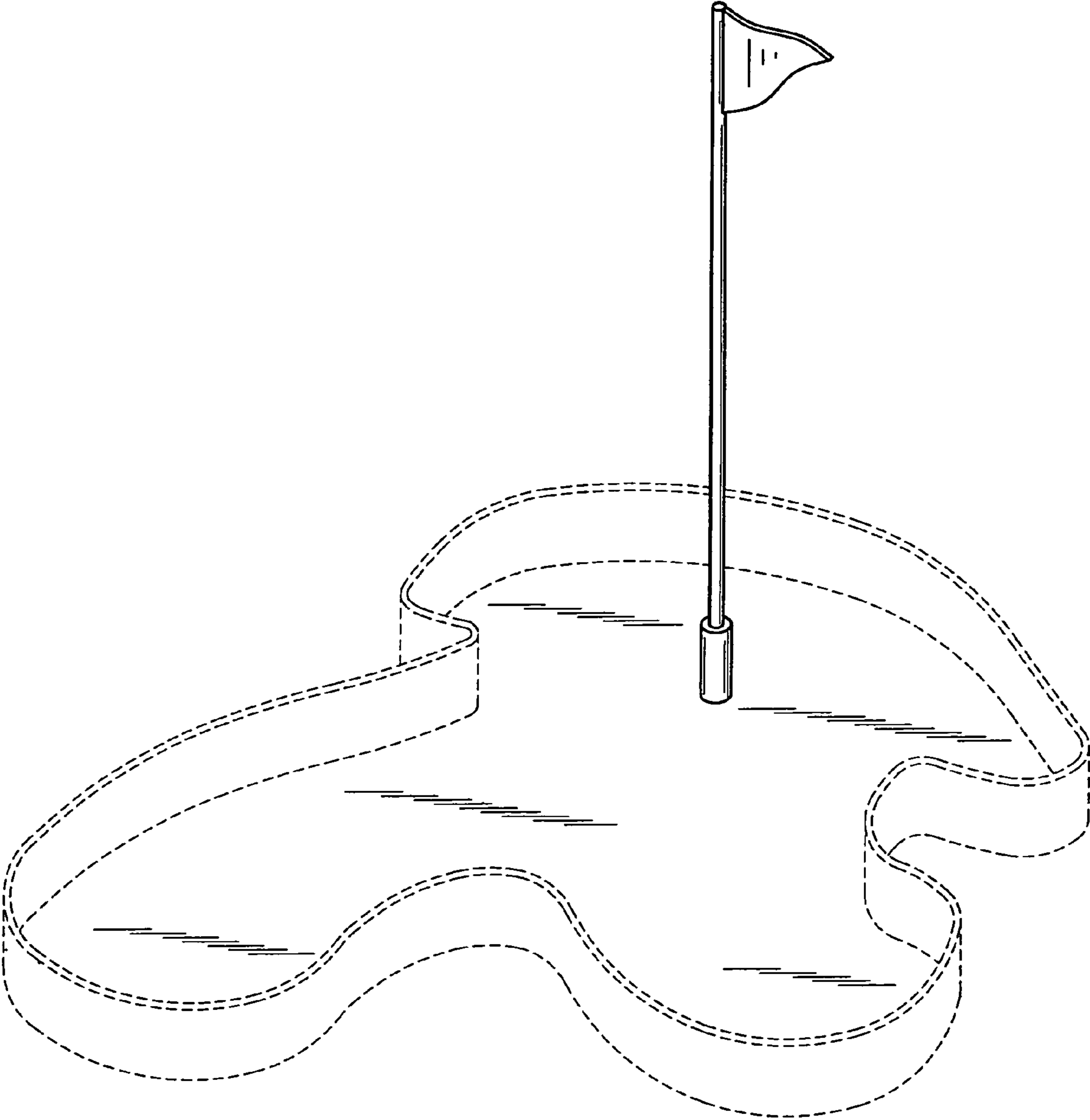


FIG. 2

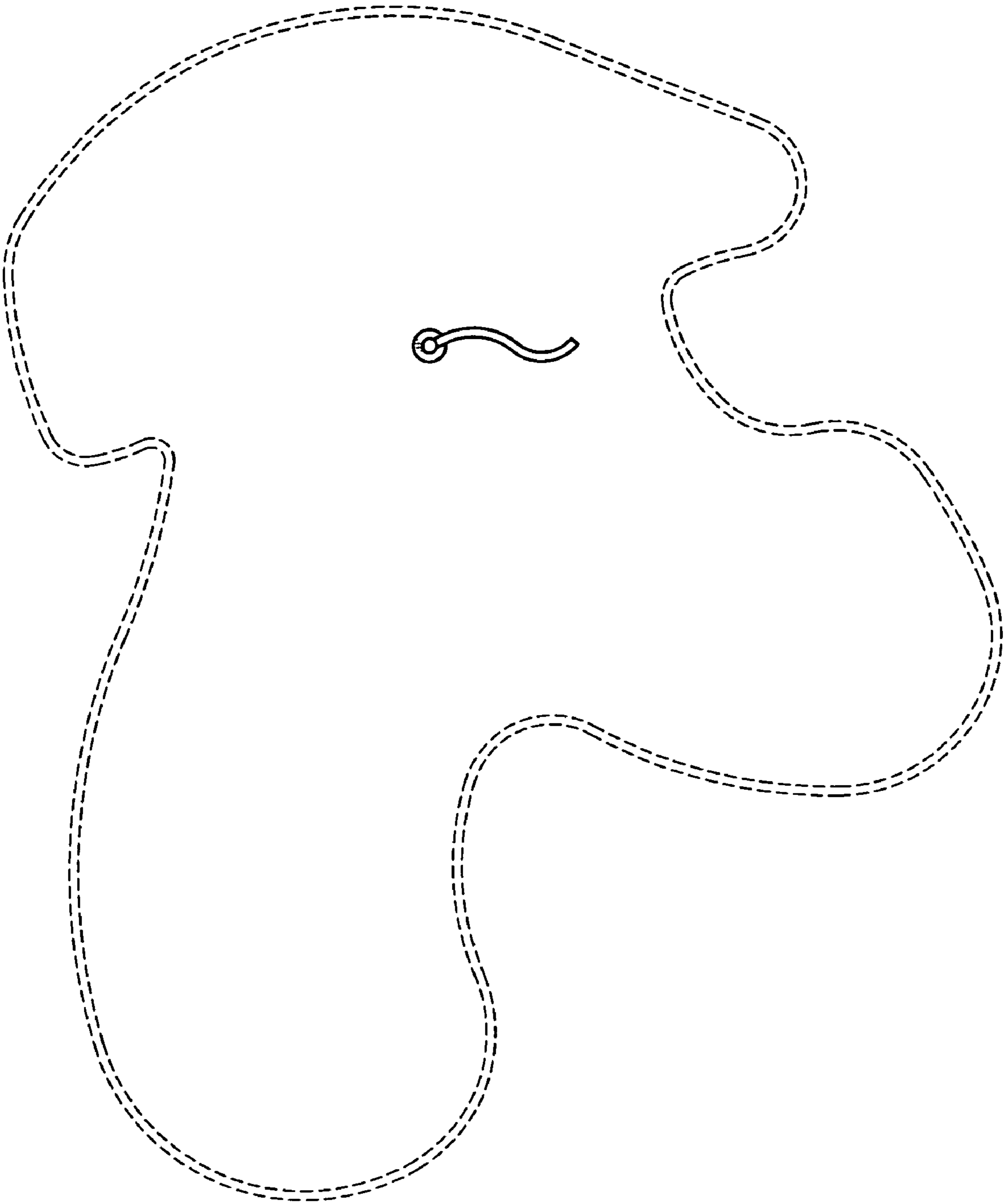


FIG. 3

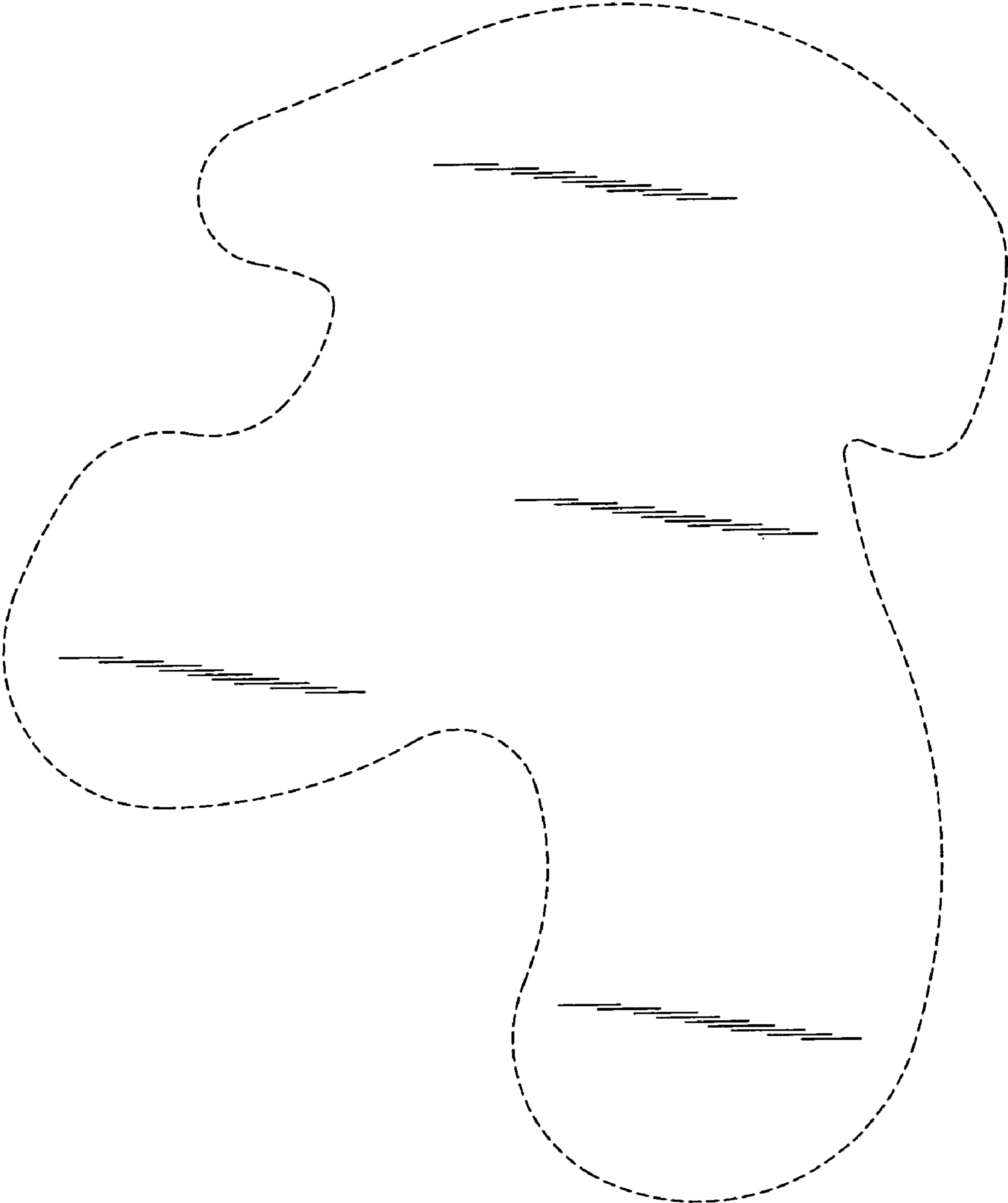


FIG. 4

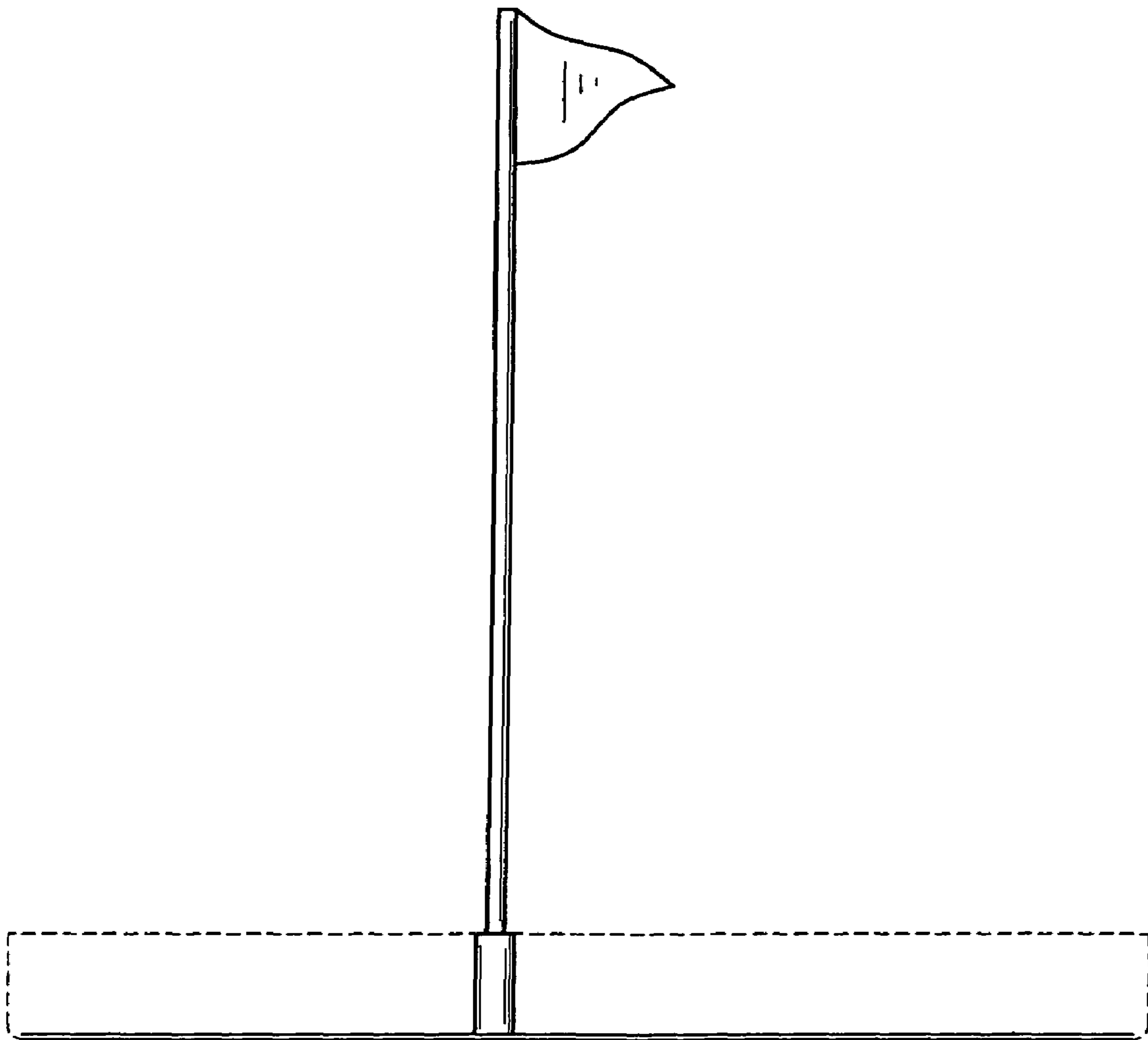


FIG. 5

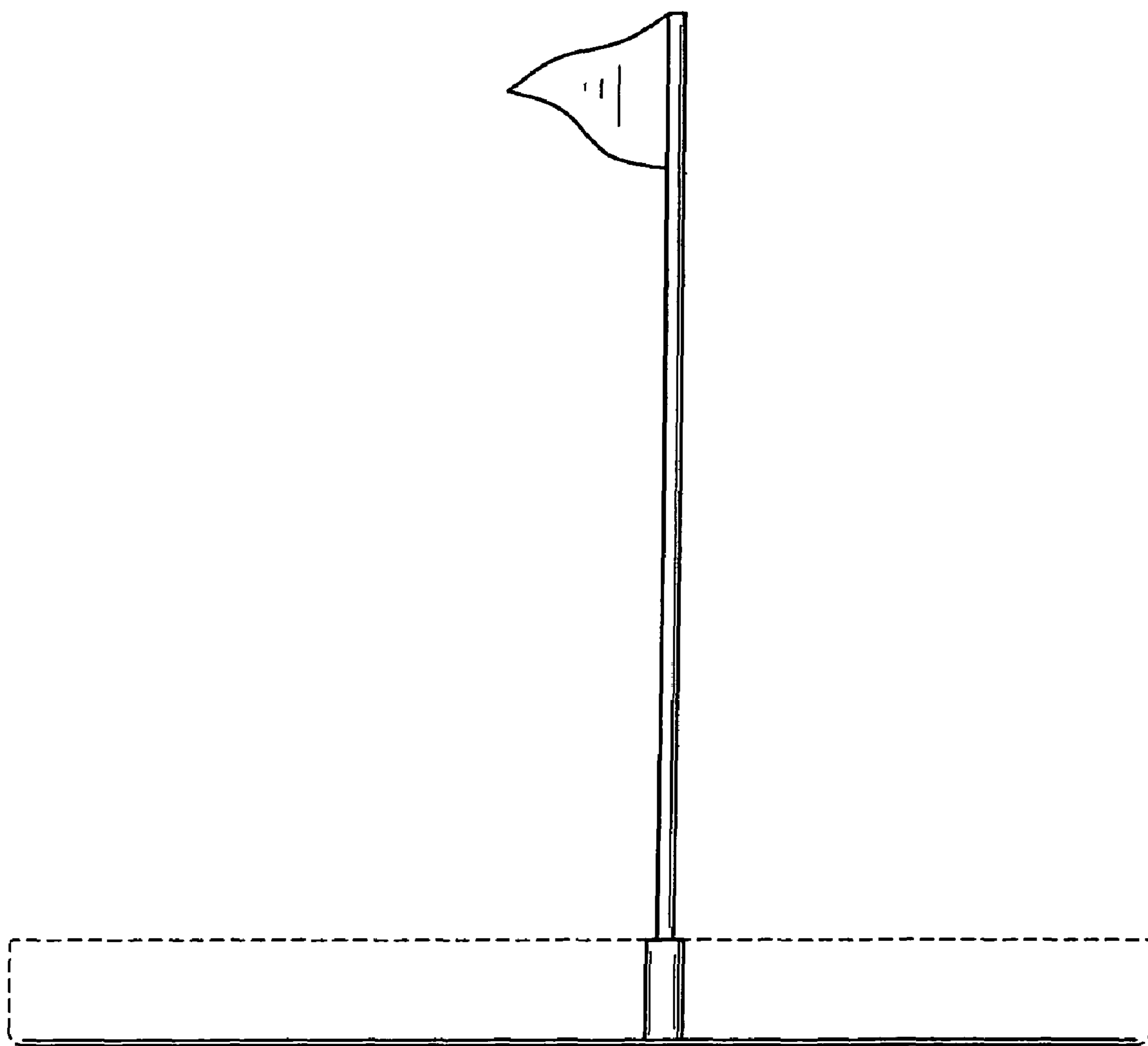


FIG. 6

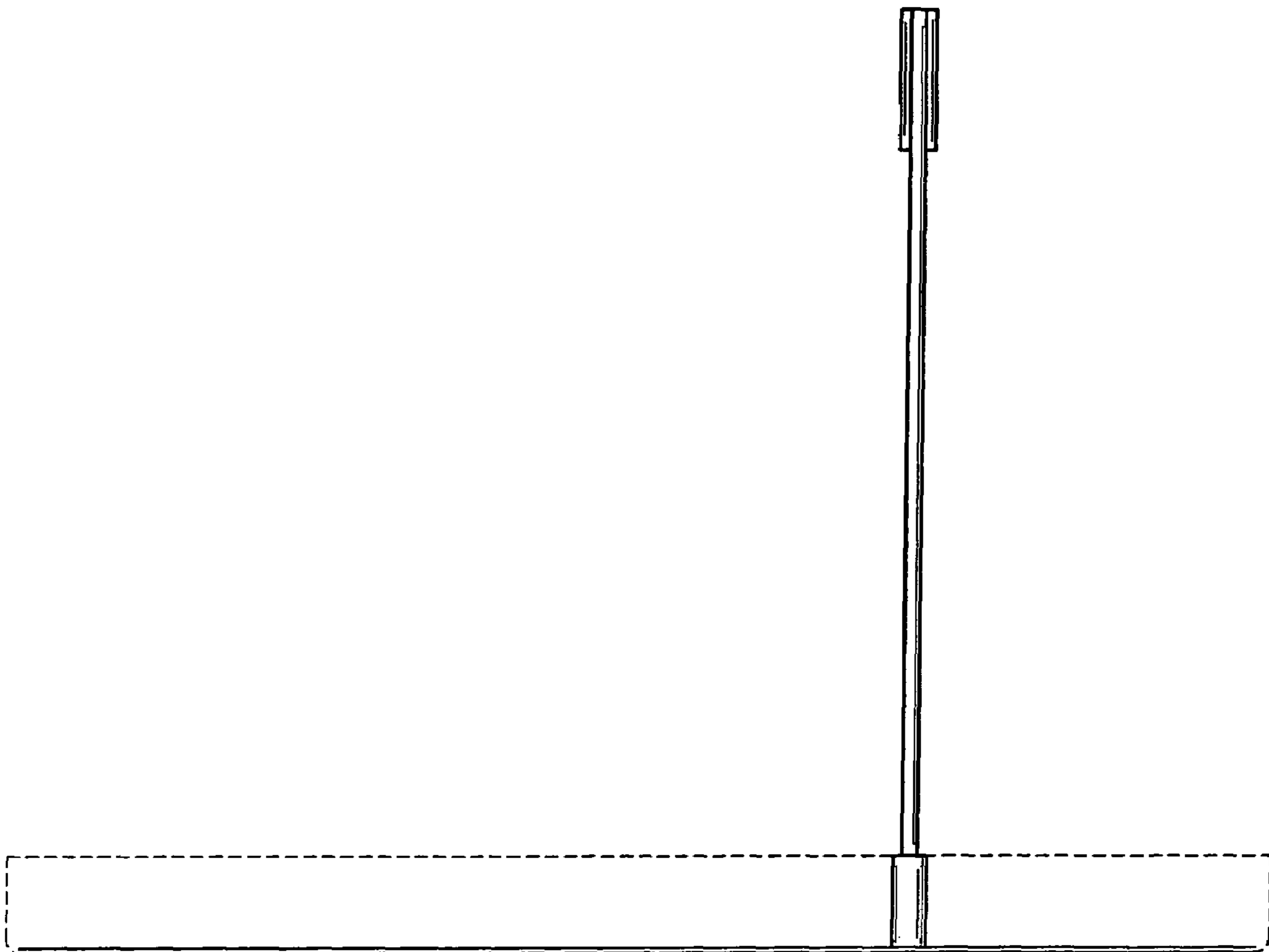


FIG. 7

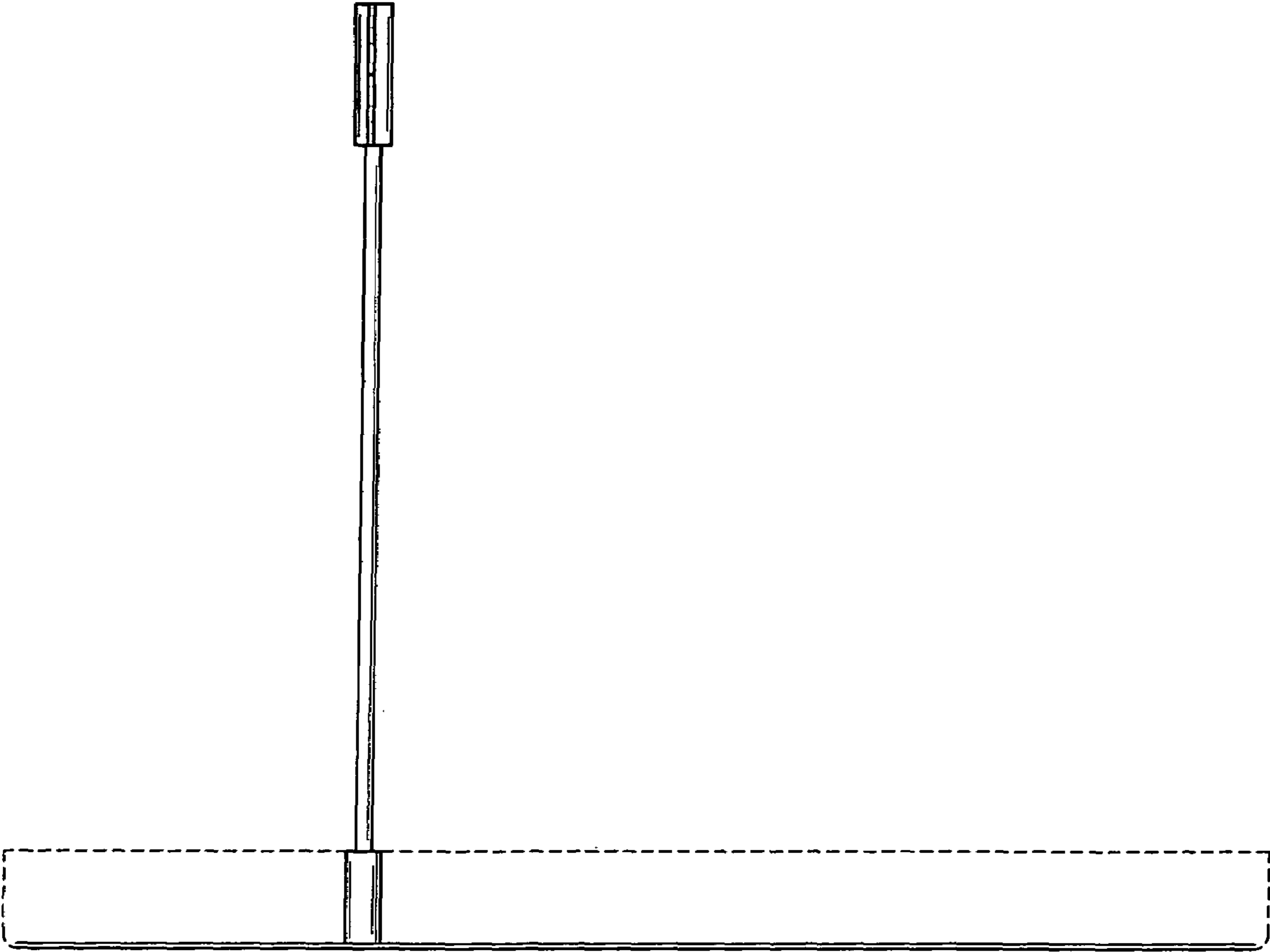


FIG. 8

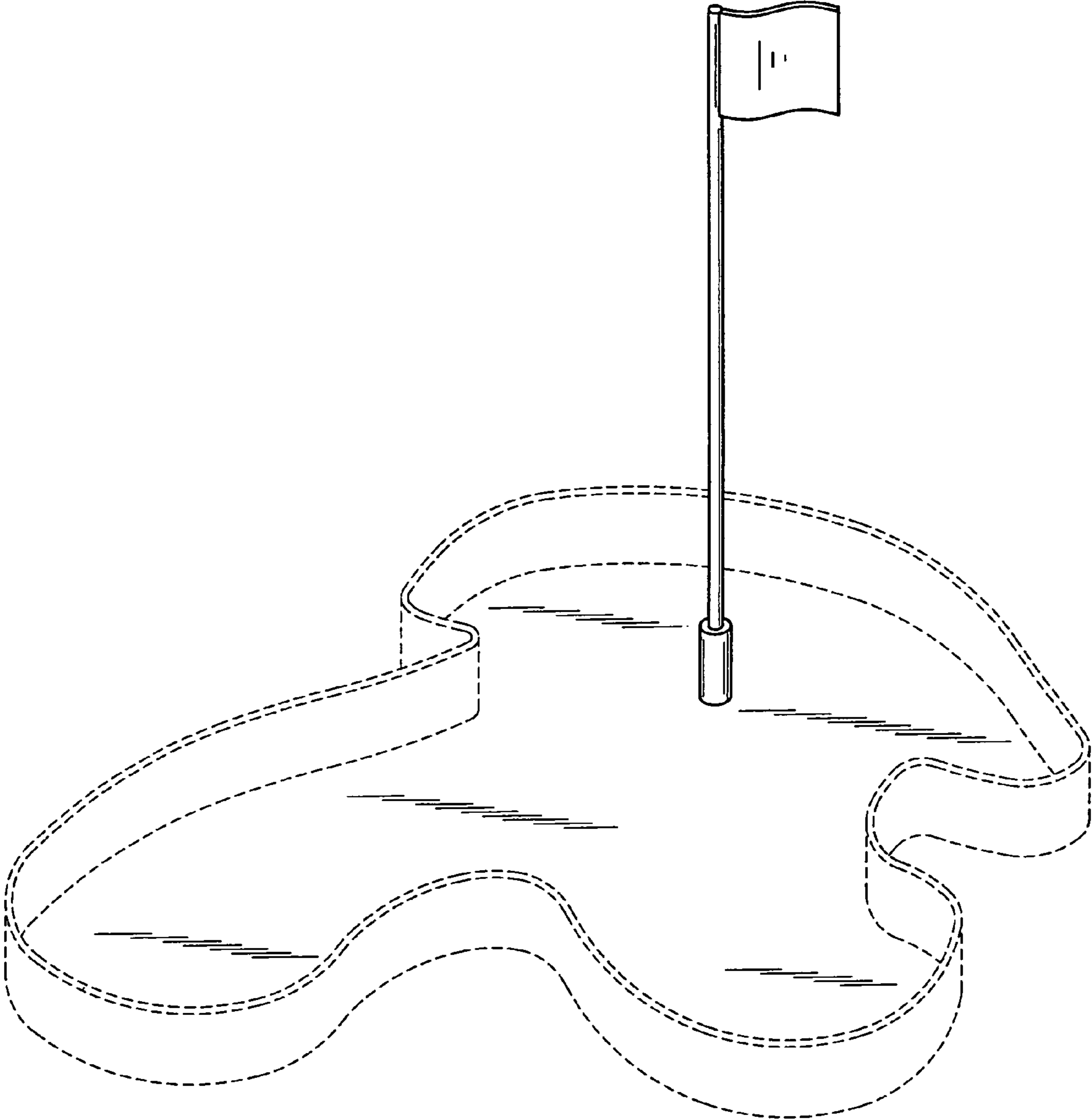


FIG. 9

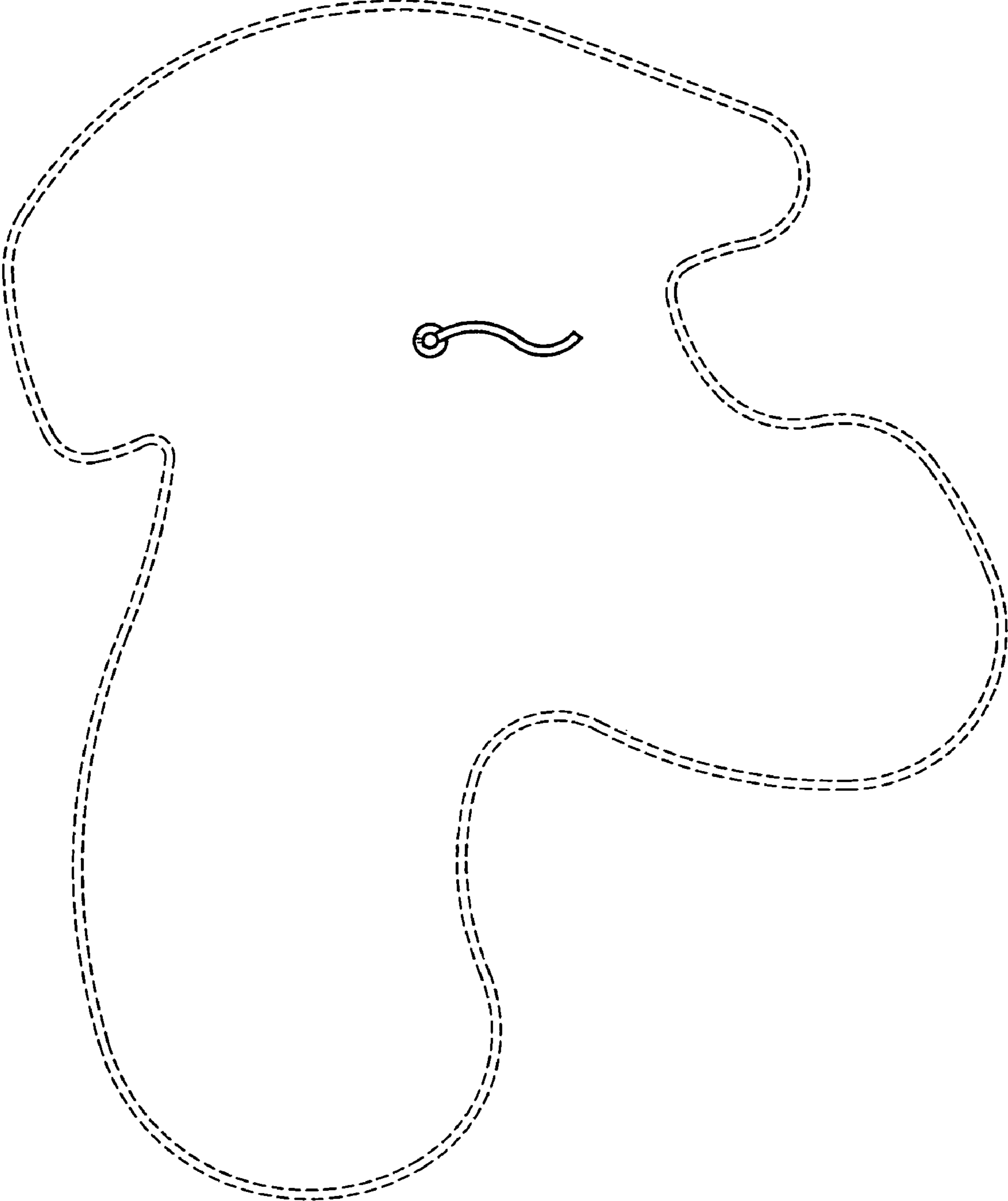


FIG. 10

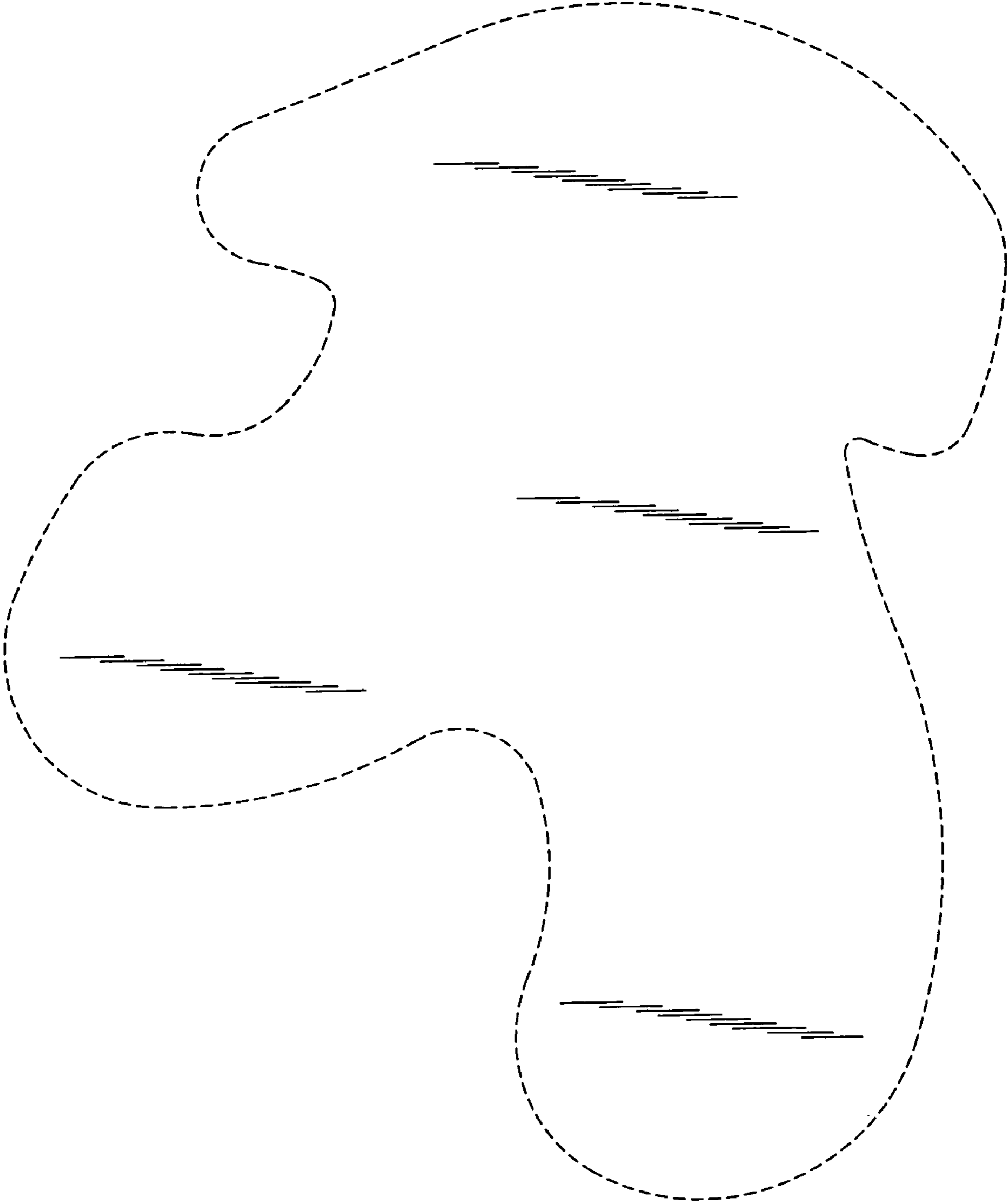


FIG. 11

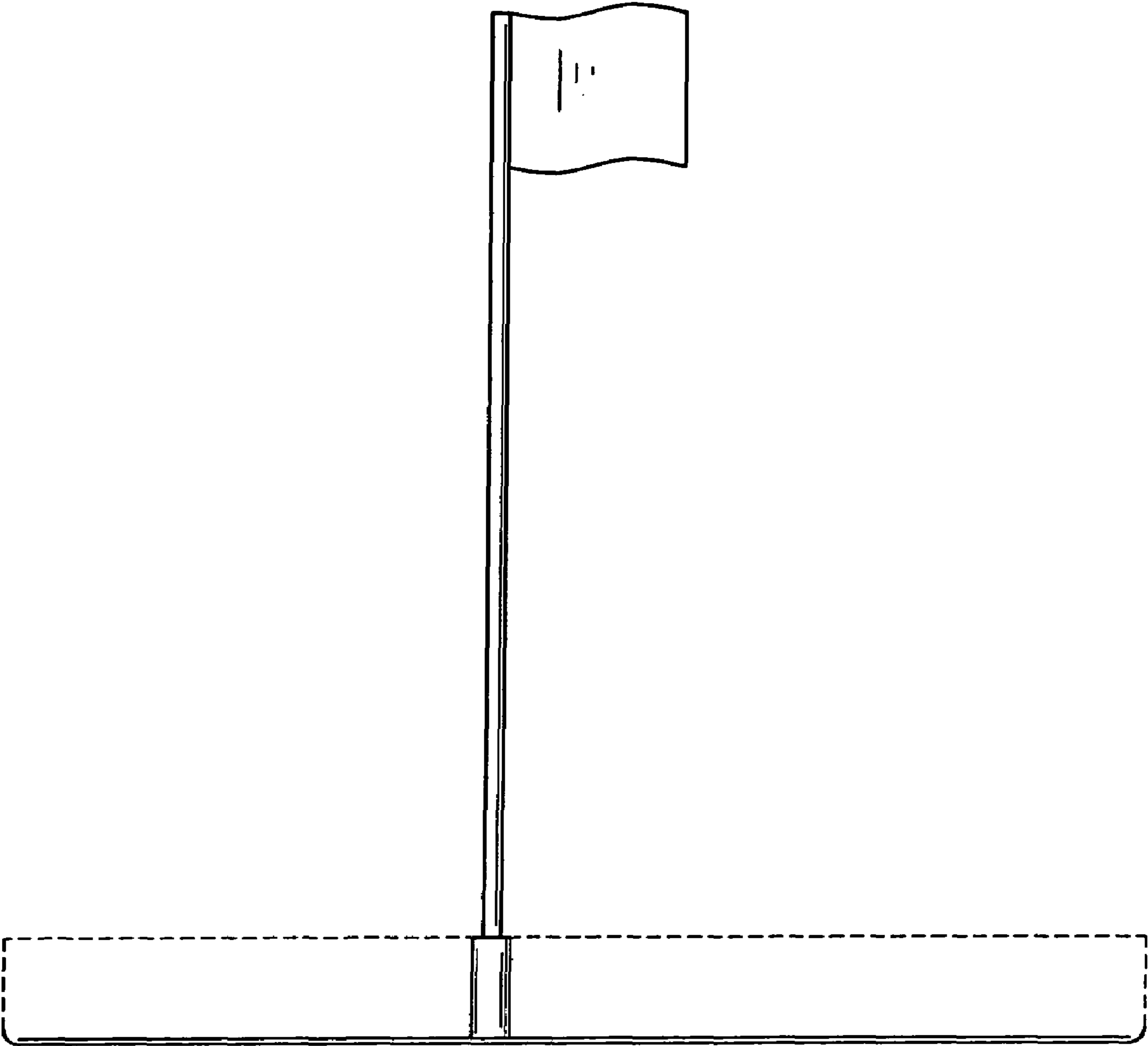


FIG. 12

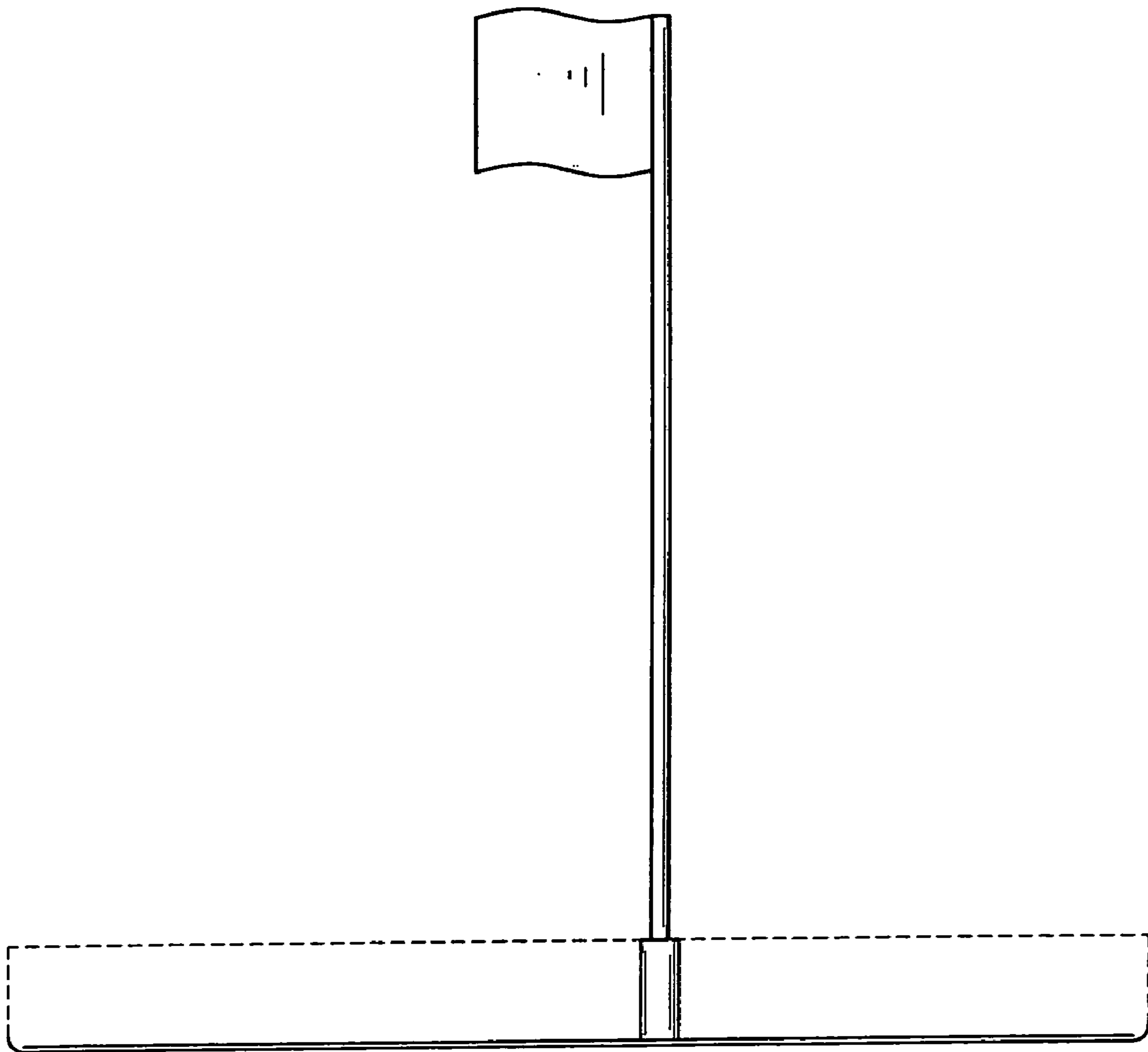


FIG. 13

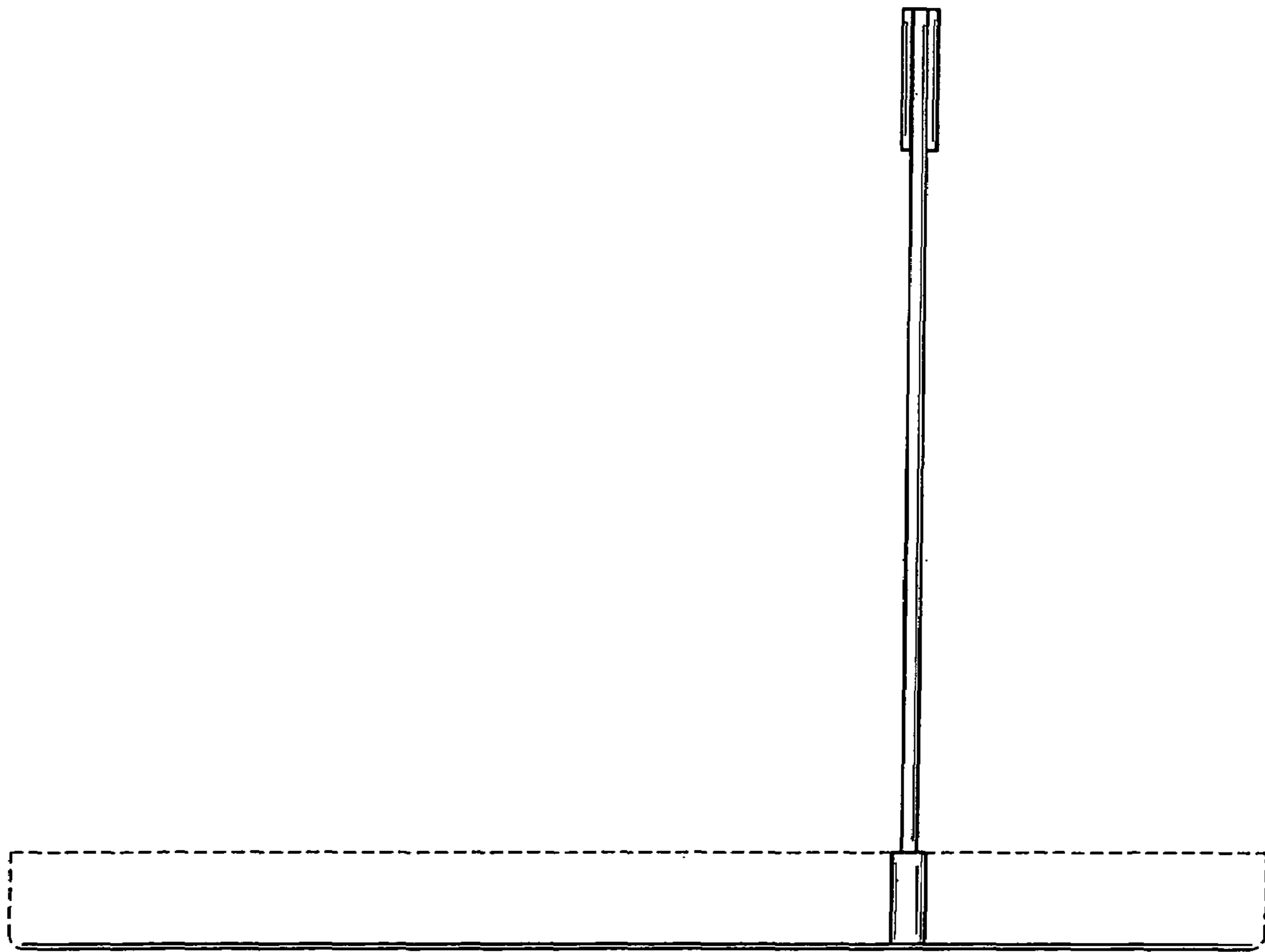


FIG. 14

