



US00D612550S

(12) **United States Design Patent**
Justis

(10) **Patent No.:** **US D612,550 S**

(45) **Date of Patent:** **** *Mar. 23, 2010**

(54) **HORSESHOE**

(76) Inventor: **Gwen Ann Justis**, 1145 Village Way,
Sebastopol, CA (US) 95472

(*) Notice: This patent is subject to a terminal disclaimer.

(**) Term: **14 Years**

(21) Appl. No.: **29/307,421**

(22) Filed: **Apr. 18, 2008**

Related U.S. Application Data

(63) Continuation-in-part of application No. 29/255,983,
filed on Mar. 13, 2006, now Pat. No. Des. 572,867.

(51) **LOC (9) Cl.** **30-01**

(52) **U.S. Cl.** **D30/147; D30/149**

(58) **Field of Classification Search** D30/146-149;
54/1; 168/26-28

See application file for complete search history.

(56) **References Cited**

U.S. PATENT DOCUMENTS

41,330 A * 1/1864 Squarza 222/157
53,635 A * 4/1866 Lane 111/70

172,473 A * 1/1876 Olds 168/28
606,343 A * 6/1898 Horton 168/28
687,502 A * 11/1901 Markley 168/28
863,386 A * 8/1907 Hallanan 168/28
912,813 A * 2/1909 Oleary 168/28
1,057,222 A * 3/1913 Conroy 168/28
1,402,768 A * 1/1922 Henemier 168/28
1,447,153 A * 2/1923 Sala 168/29
1,599,999 A * 9/1926 Heymoss, Jr. 168/28
D479,021 S * 8/2003 Kriesel et al. D30/146

* cited by examiner

Primary Examiner—Susan Moon Lee

(74) *Attorney, Agent, or Firm*—Robin Diane Goldstein

(57) **CLAIM**

The ornamental design for a horseshoe, as shown and described.

DESCRIPTION

FIG. 1 is a bottom view of my new horseshoe;

FIG. 2 is a top plan view thereof;

FIG. 3 is a perspective view thereof; and,

FIG. 4 is a side view of the horseshoe of FIG. 1, the opposite side view being a mirror image thereof.

1 Claim, 2 Drawing Sheets

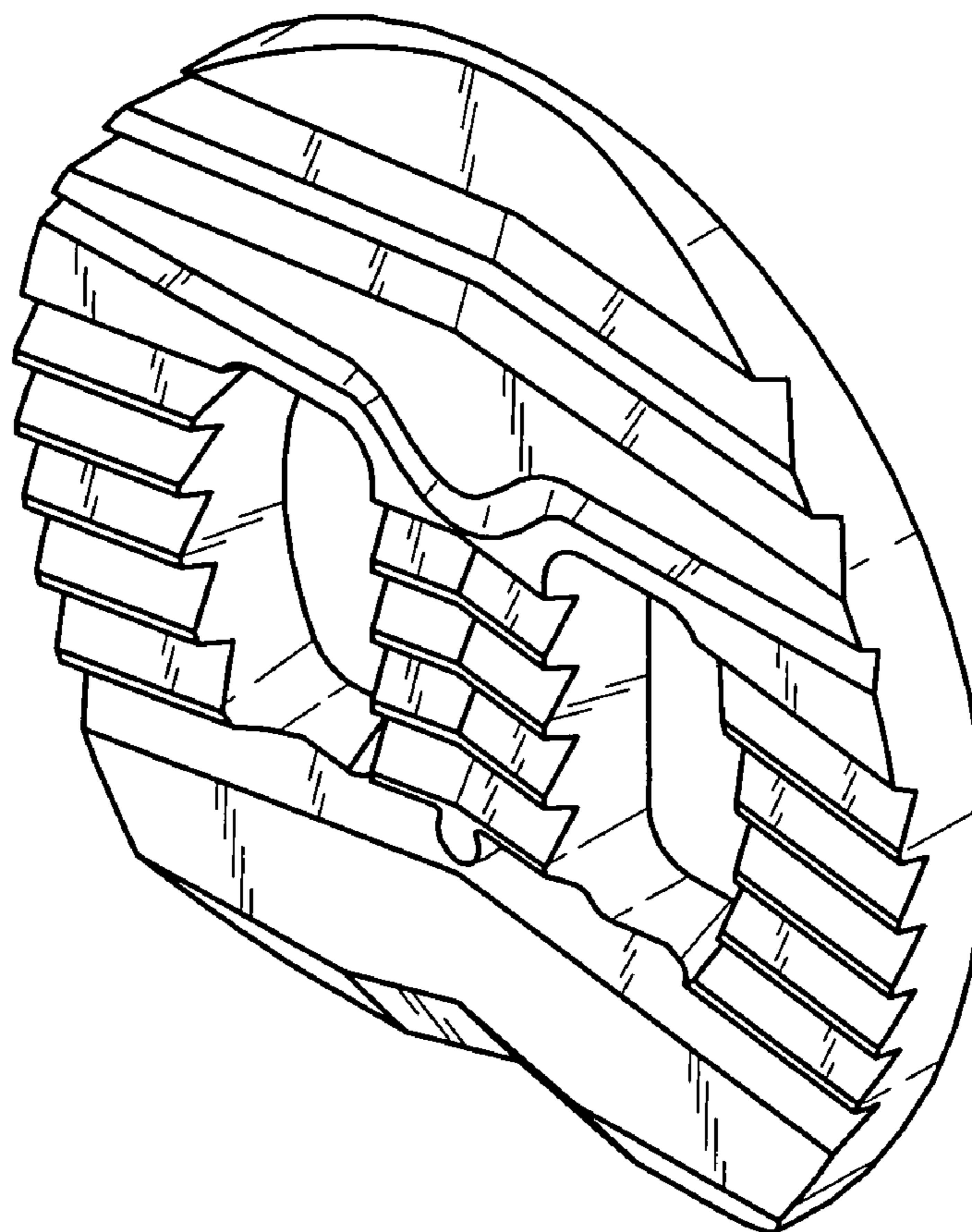


FIG. 1

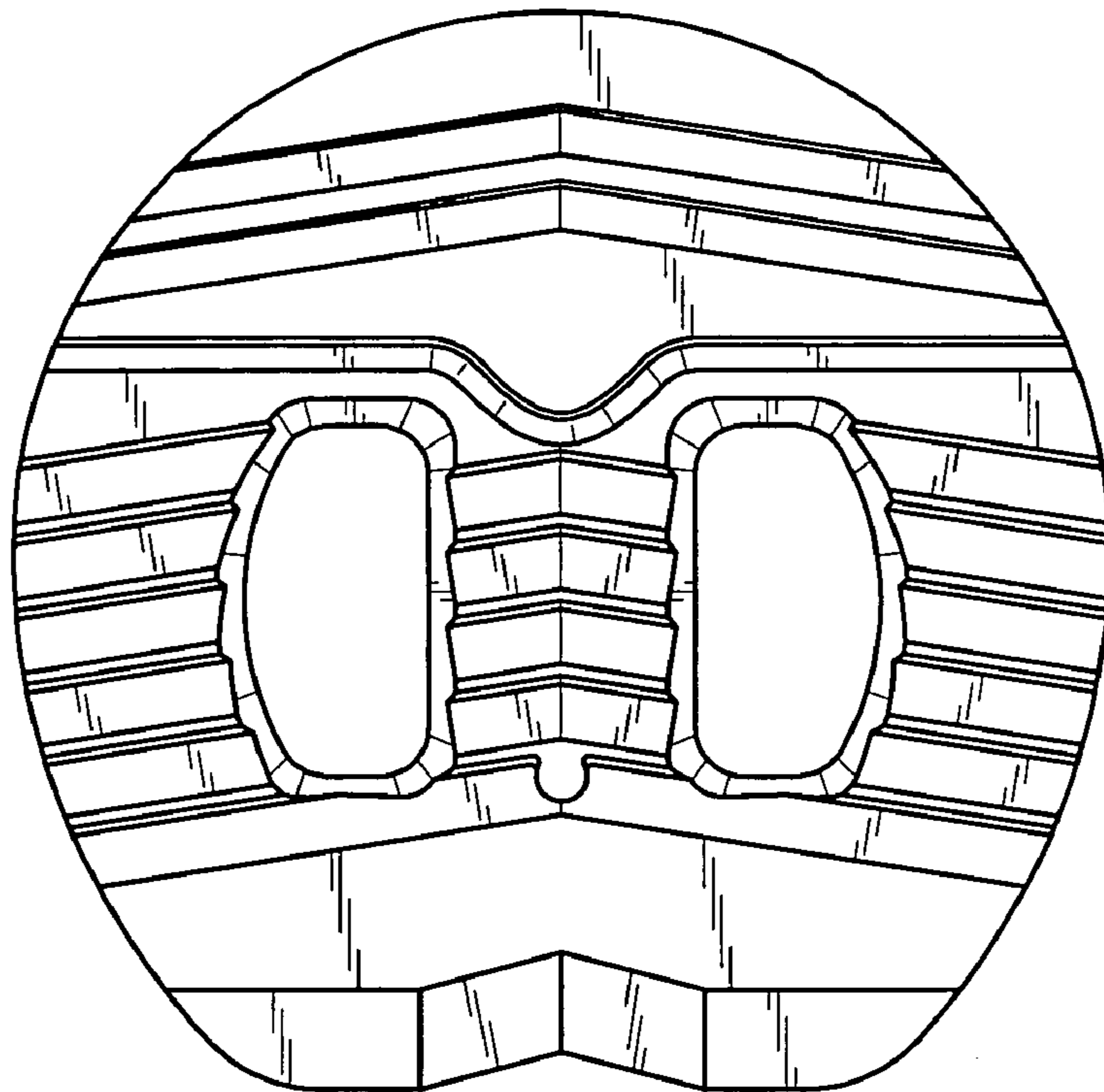


FIG. 2

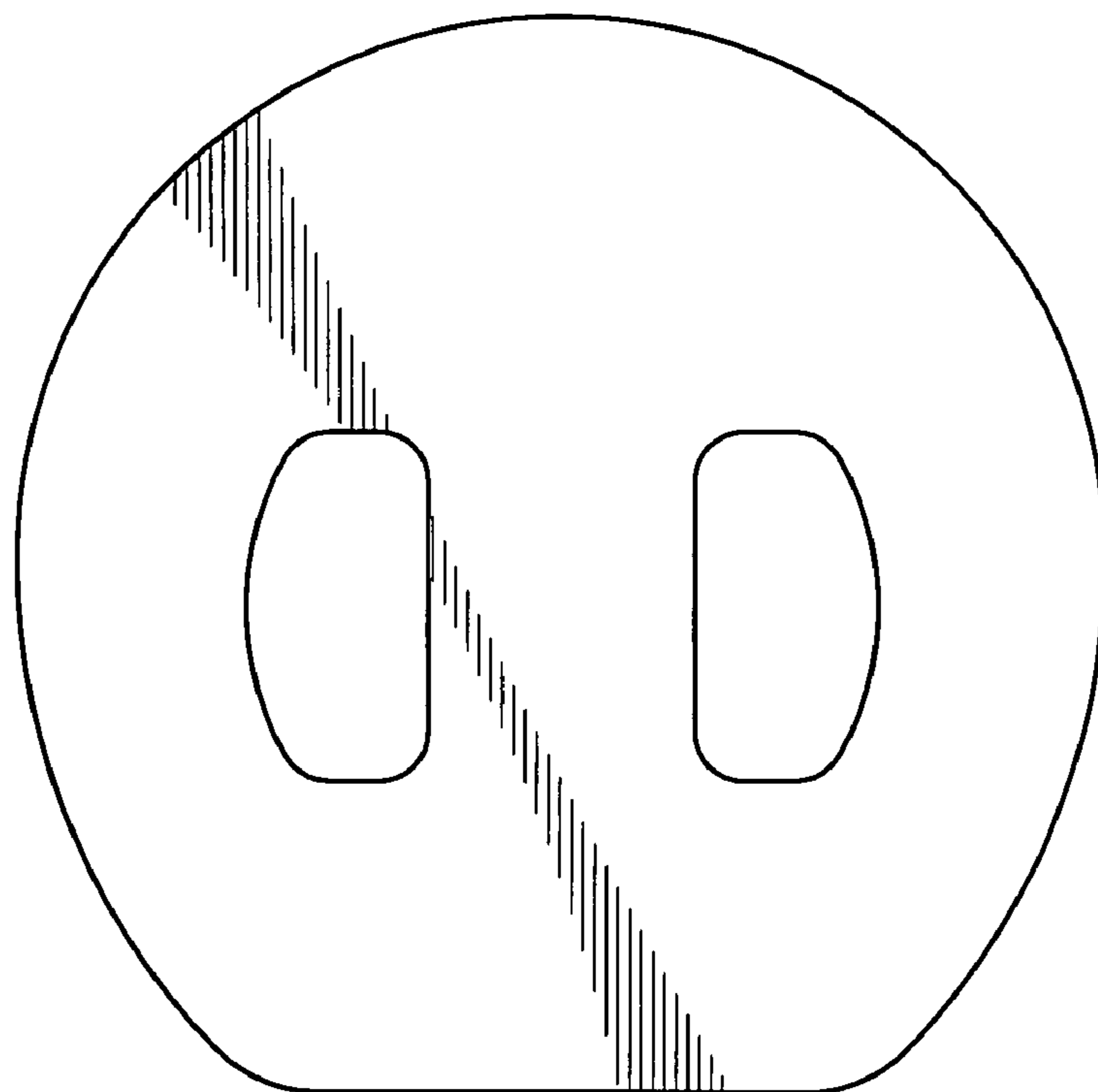


FIG. 3

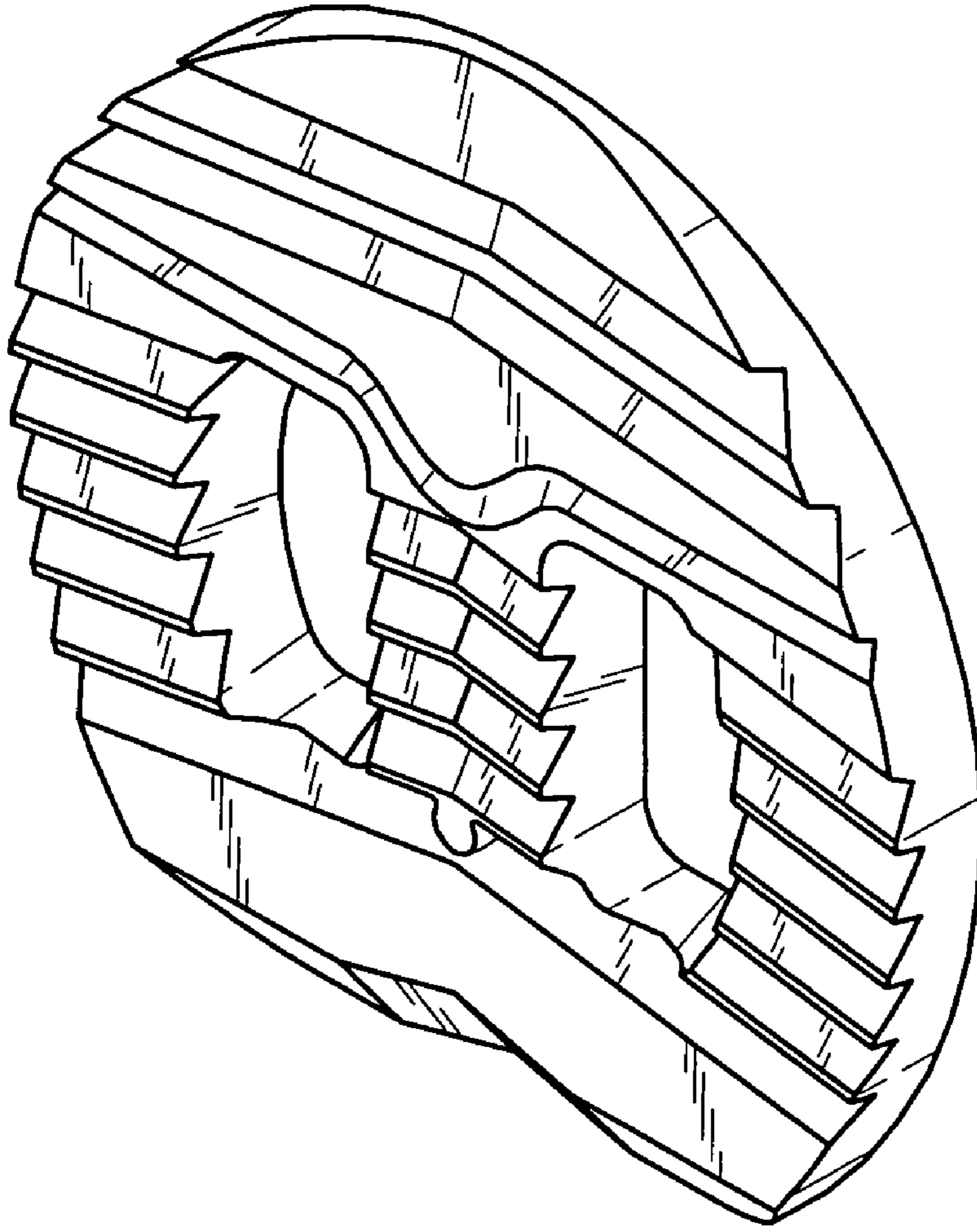


FIG. 4

