



US00D612542S

(12) **United States Design Patent**  
**Righetti**

(10) **Patent No.:** **US D612,542 S**  
(45) **Date of Patent:** **\*\* Mar. 23, 2010**

(54) **HELMET**

(75) Inventor: **Andrea Righetti**, Rivoli (IT)

(73) Assignee: **Profilo Design S.R.L.**, Turin (IT)

(\*\*) Term: **14 Years**

(21) Appl. No.: **29/342,982**

(22) Filed: **Sep. 3, 2009**

**Related U.S. Application Data**

(62) Division of application No. 29/290,413, filed on Dec. 4, 2007.

(30) **Foreign Application Priority Data**

Jun. 4, 2007 (EM) ..... 000736087

(51) **LOC (9) Cl.** ..... **09-03**

(52) **U.S. Cl.** ..... **D29/102**

(58) **Field of Classification Search** ..... D29/102-110,  
D29/122; 2/410-414, 416-425, 5, 6.1-6.7,  
2/15, 171.3, 7; D21/315, 713, 780, 781,  
D21/799.1

See application file for complete search history.

(56) **References Cited**

**U.S. PATENT DOCUMENTS**

D216,071 S \* 11/1969 Kamata ..... D29/106  
D310,434 S \* 9/1990 Breece ..... D29/103  
D382,671 S \* 8/1997 Shewchenko ..... D29/106

D443,006 S \* 5/2001 Nagase ..... D21/713  
D446,267 S \* 8/2001 Feeney et al. .... D21/713  
D466,651 S \* 12/2002 Halstead et al. .... D29/106  
D484,205 S \* 12/2003 Ota ..... D21/713  
D498,803 S \* 11/2004 Nishihara ..... D21/713  
D504,165 S \* 4/2005 Kita et al. .... D21/713  
D508,543 S \* 8/2005 Ota ..... D21/713  
D510,969 S \* 10/2005 Miller ..... D21/713  
D532,841 S \* 11/2006 Laliberty et al. .... D21/713  
D535,060 S \* 1/2007 Bullard, Jr. .... D29/102  
D546,405 S \* 7/2007 Miller ..... D21/713  
D558,285 S \* 12/2007 Avis et al. .... D21/713  
D581,599 S \* 11/2008 Ferrara et al. .... D29/106  
D582,607 S \* 12/2008 Ferrara et al. .... D29/106  
D587,854 S \* 3/2009 Nimmons et al. .... D29/106

\* cited by examiner

*Primary Examiner*—Ruth McInroy

(74) *Attorney, Agent, or Firm*—Sughrue Mion, PLLC

(57) **CLAIM**

The ornamental design for a helmet, as shown and described.

**DESCRIPTION**

FIG. 1 is a front view of a helmet showing my new design;

FIG. 2 is a side view thereof;

FIG. 3 is a front perspective view thereof;

FIG. 4 is a rear perspective view thereof;

FIG. 5 is a rear view thereof; and,

FIG. 6 is a top view thereof.

**1 Claim, 6 Drawing Sheets**

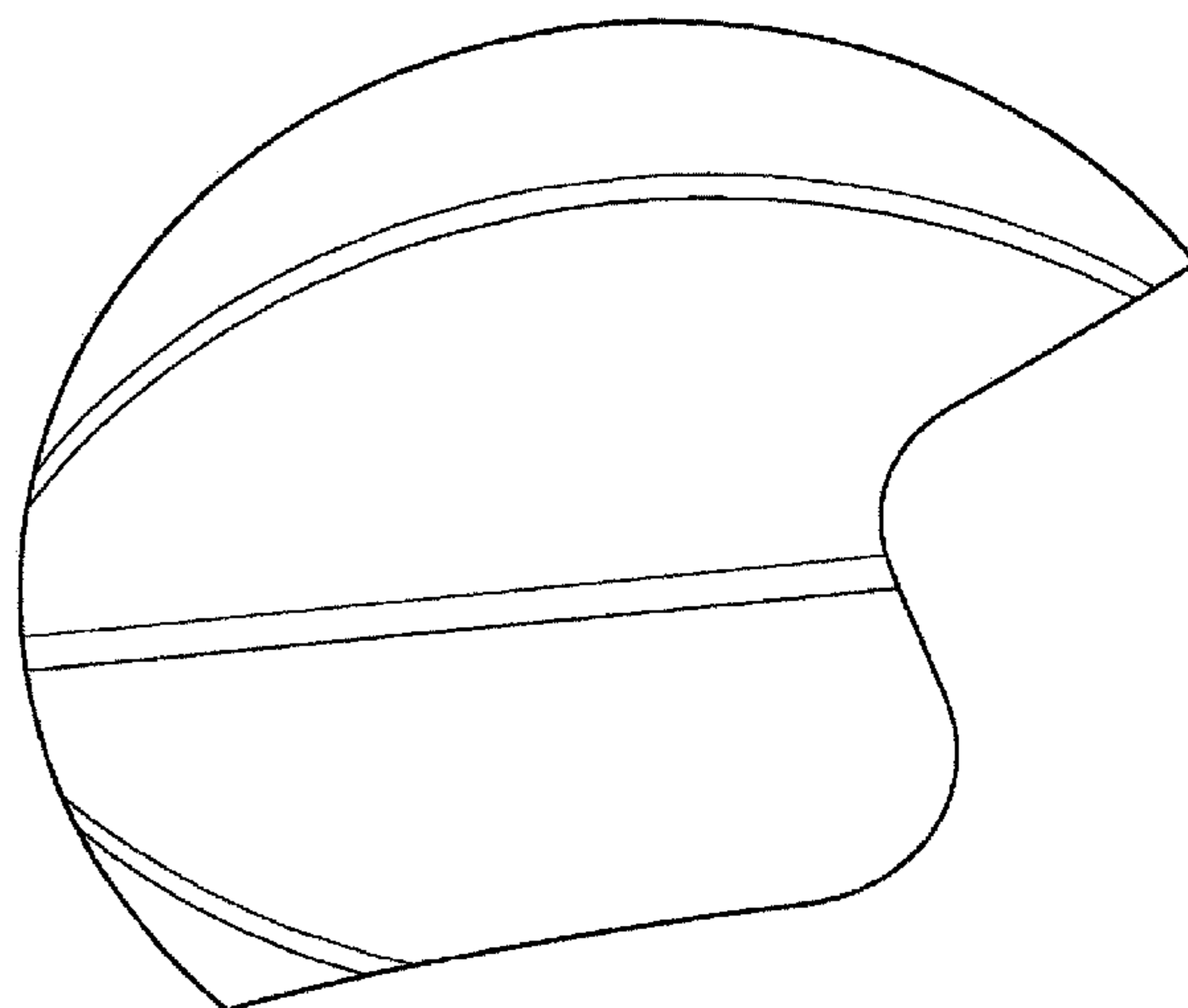
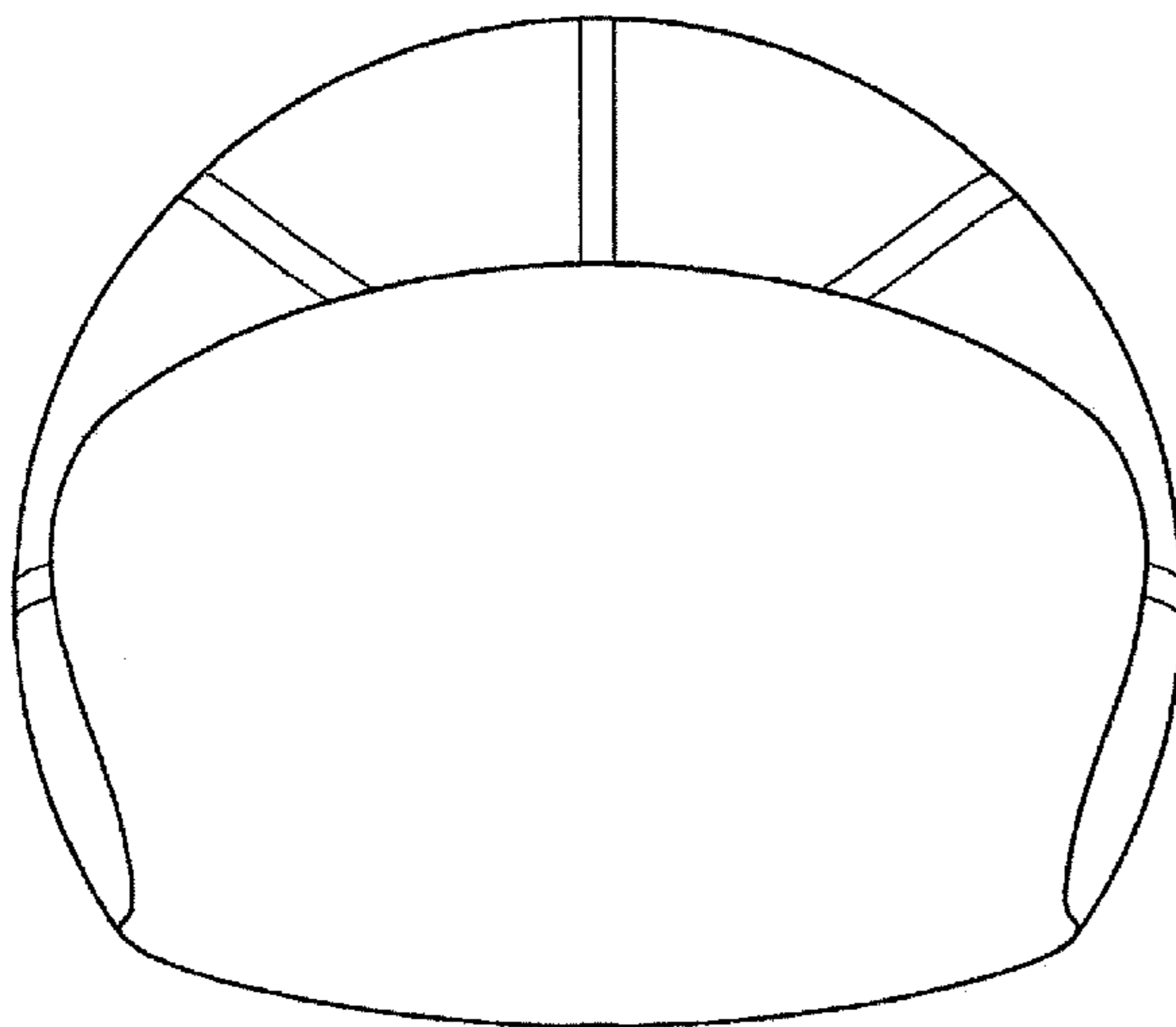


FIG. 1

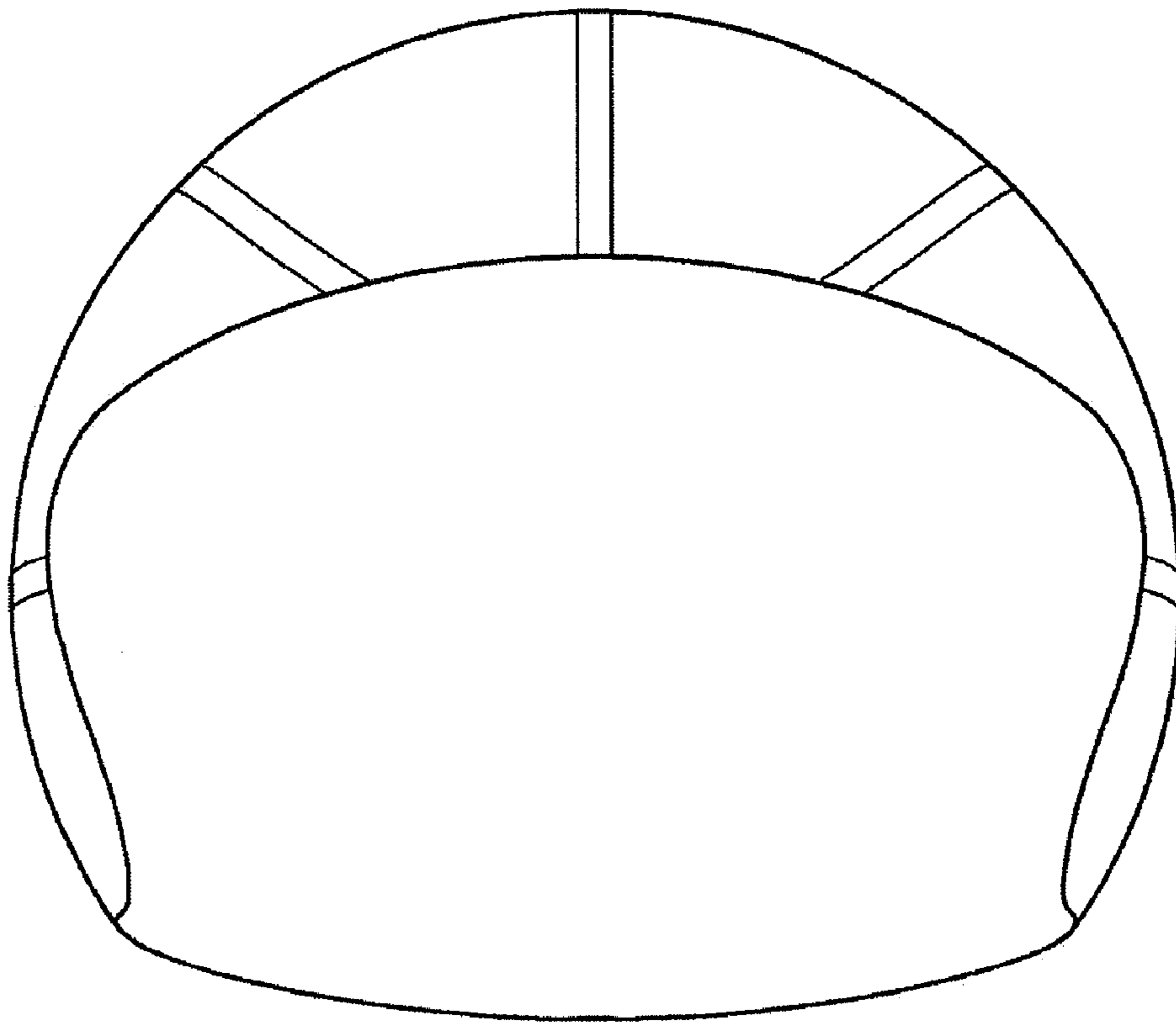


FIG. 2

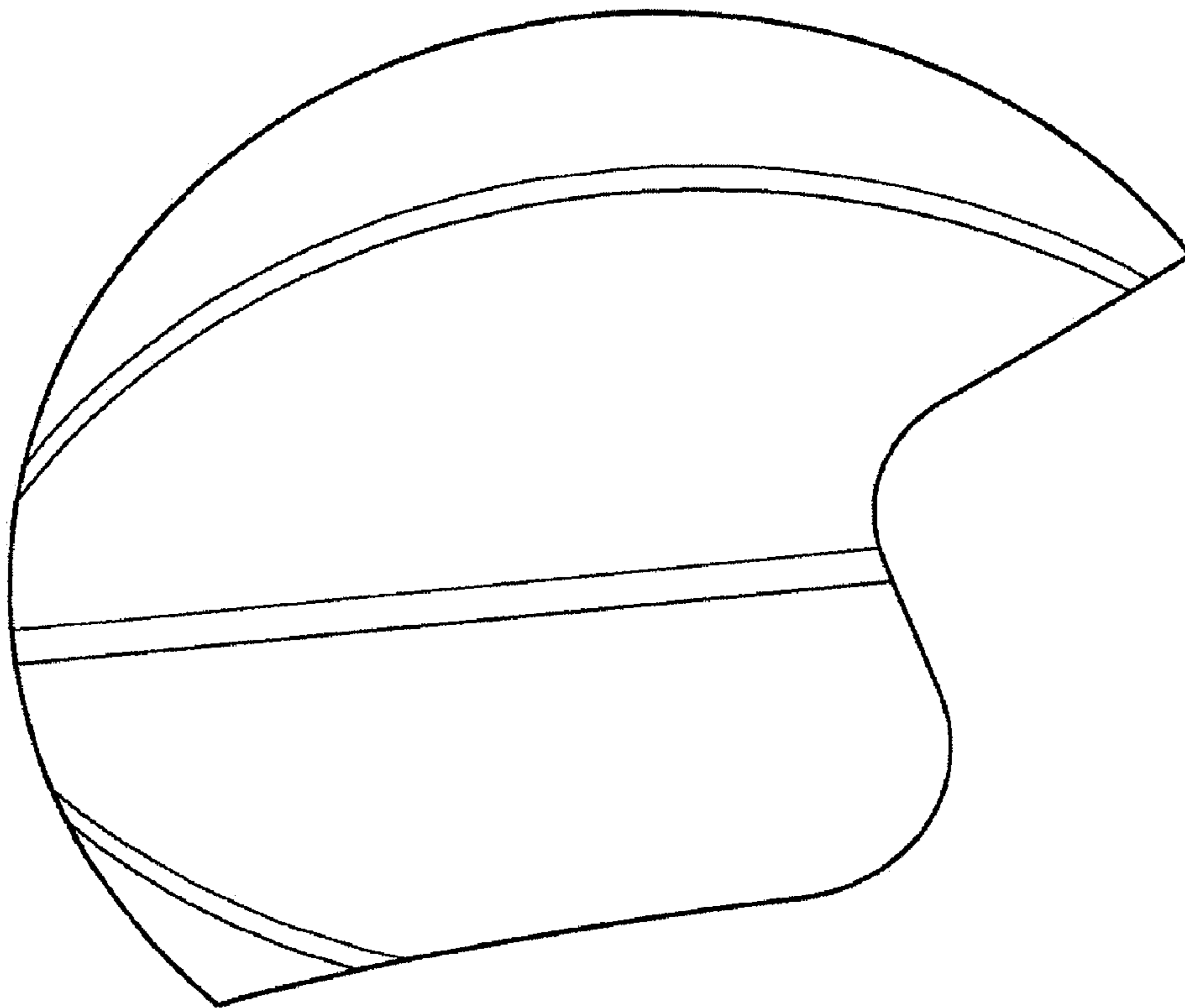


FIG. 3

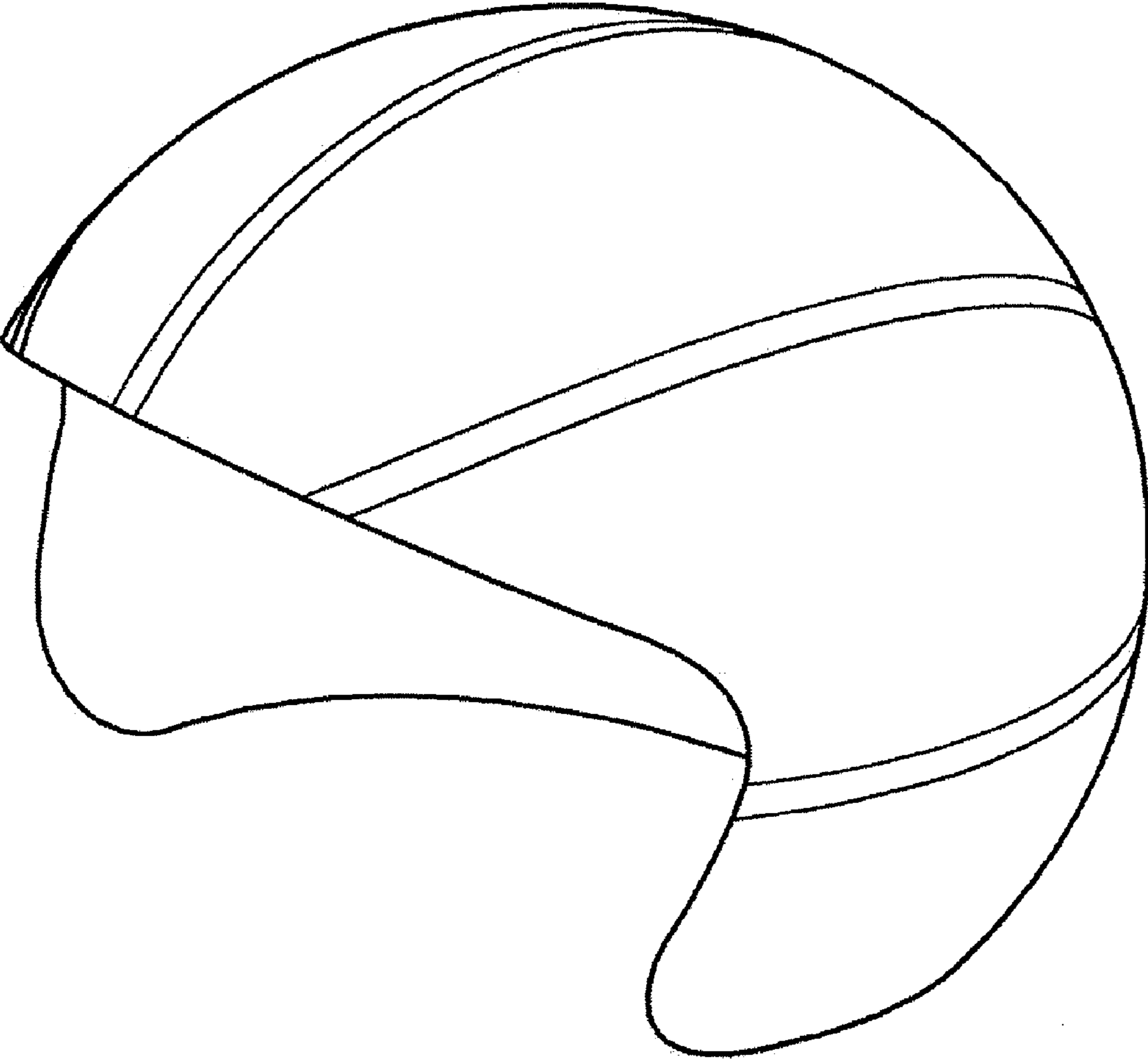


FIG. 4

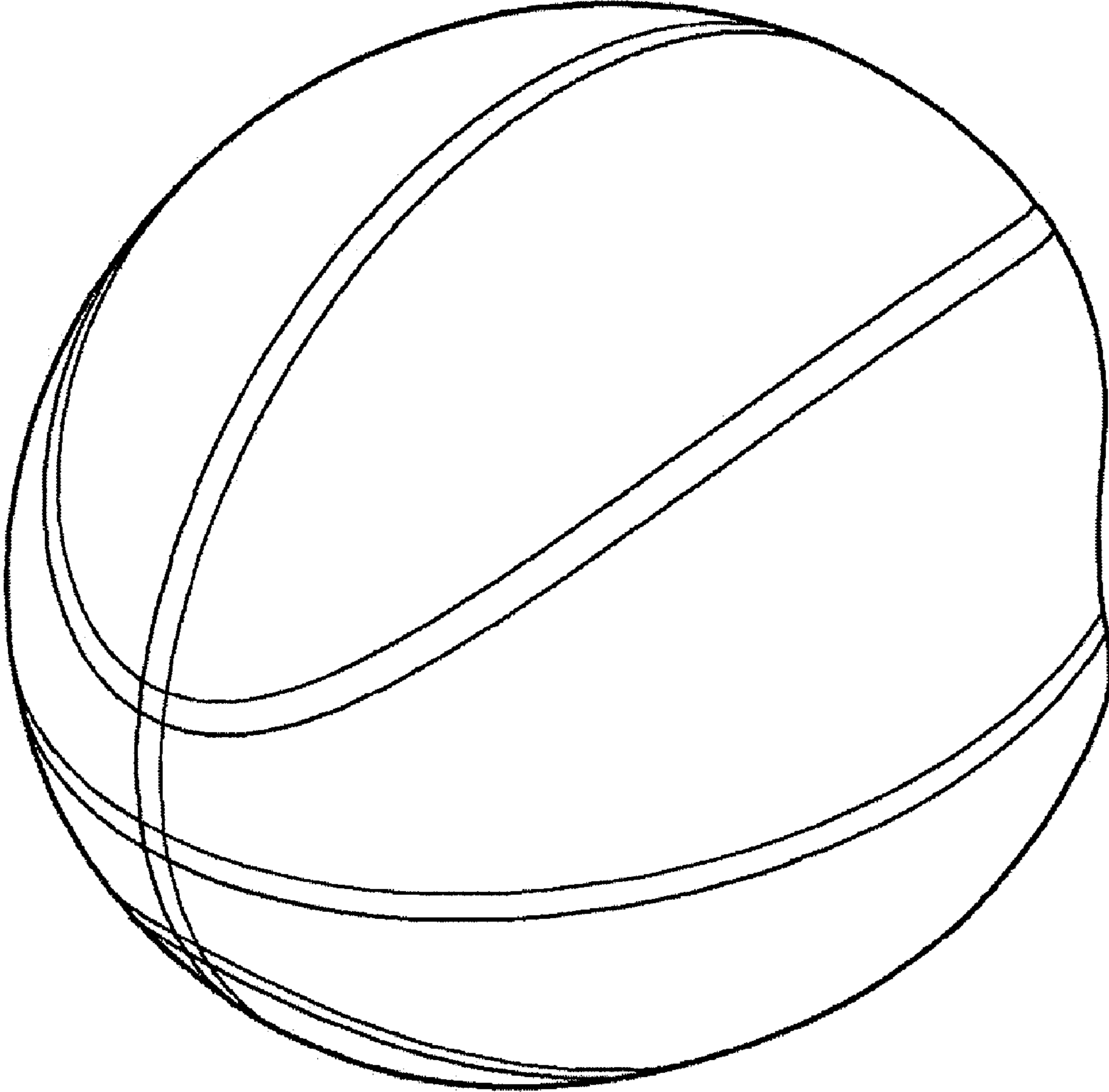


FIG. 5

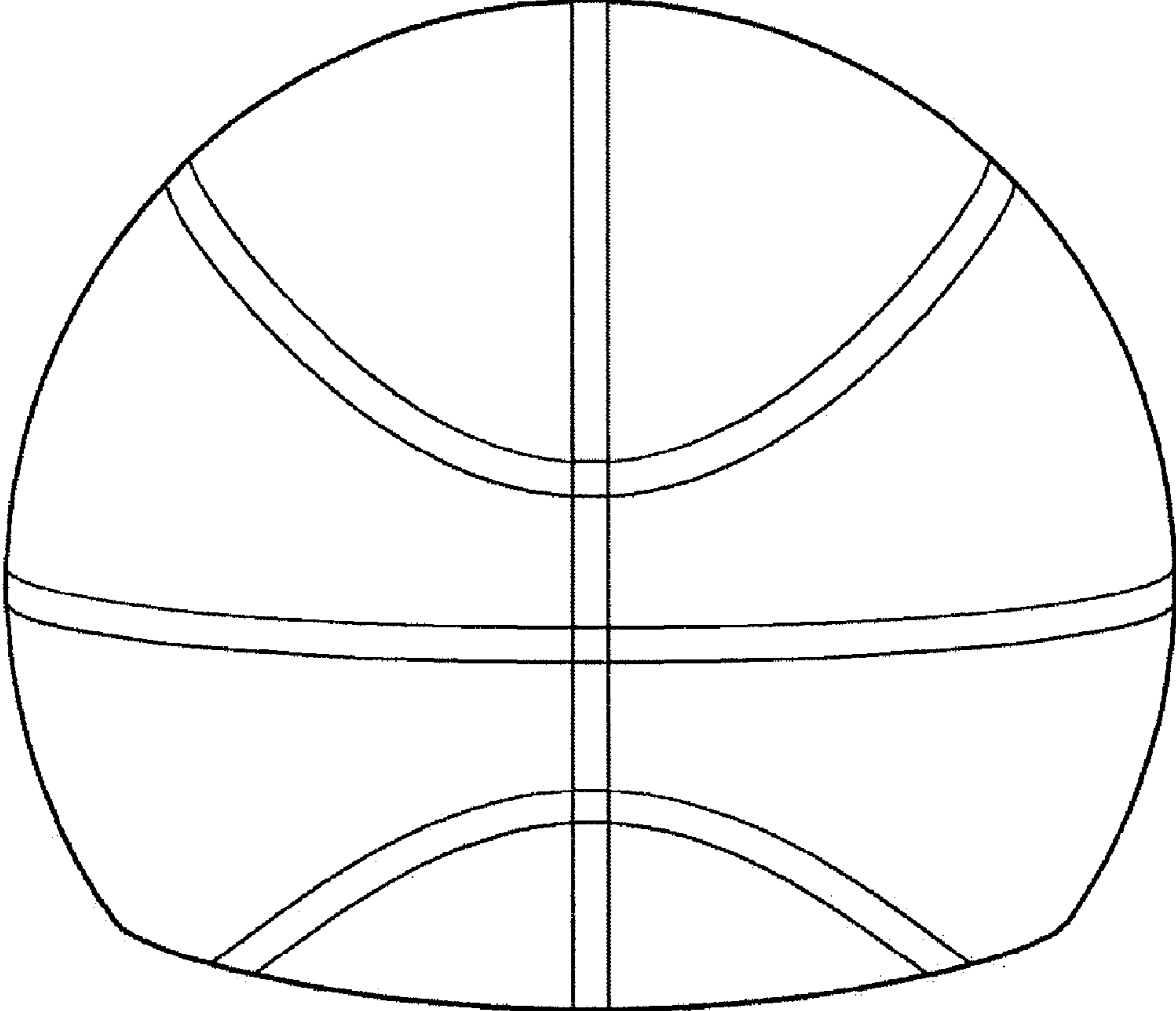


FIG. 6

