



US00D612540S

(12) **United States Design Patent**
Joslin

(10) **Patent No.:** **US D612,540 S**
(45) **Date of Patent:** **** Mar. 23, 2010**

(54) **HEAD RAZOR**

(76) Inventor: **Keven Joslin**, 3578 Shadow Ct., Perris,
CA (US) 92571

(**) Term: **14 Years**

(21) Appl. No.: **29/313,382**

(22) Filed: **Dec. 31, 2008**

(51) **LOC (9) Cl.** **28-03**

(52) **U.S. Cl.** **D28/48**

(58) **Field of Classification Search** 30/32,
30/34.05, 34.1, 34.2, 41-41.8, 44-45, 47-51,
30/53-58, 526-533, 537; D28/44.1-48
See application file for complete search history.

(56) **References Cited**

U.S. PATENT DOCUMENTS

D431,095 S *	9/2000	Hyman	D28/45
D446,351 S *	8/2001	Greene	D28/46
D481,169 S *	10/2003	Cheung	D28/44
D500,889 S *	1/2005	Greene	D28/46
D512,795 S *	12/2005	Carpenter	D28/45
2005/0066532 A1 *	3/2005	Kludjian et al.	30/536

* cited by examiner

Primary Examiner—Jennifer Rivard

(74) *Attorney, Agent, or Firm*—Grant's Law Firm; Allan Grant

(57) **CLAIM**

I claim the ornamental design for a head razor, as shown and as described.

DESCRIPTION

FIG. 1 is a perspective view of the head razor.

FIG. 2 is a front view of the head razor.

FIG. 3 is a back view of the head razor.

FIG. 4 is a side view of the head razor.

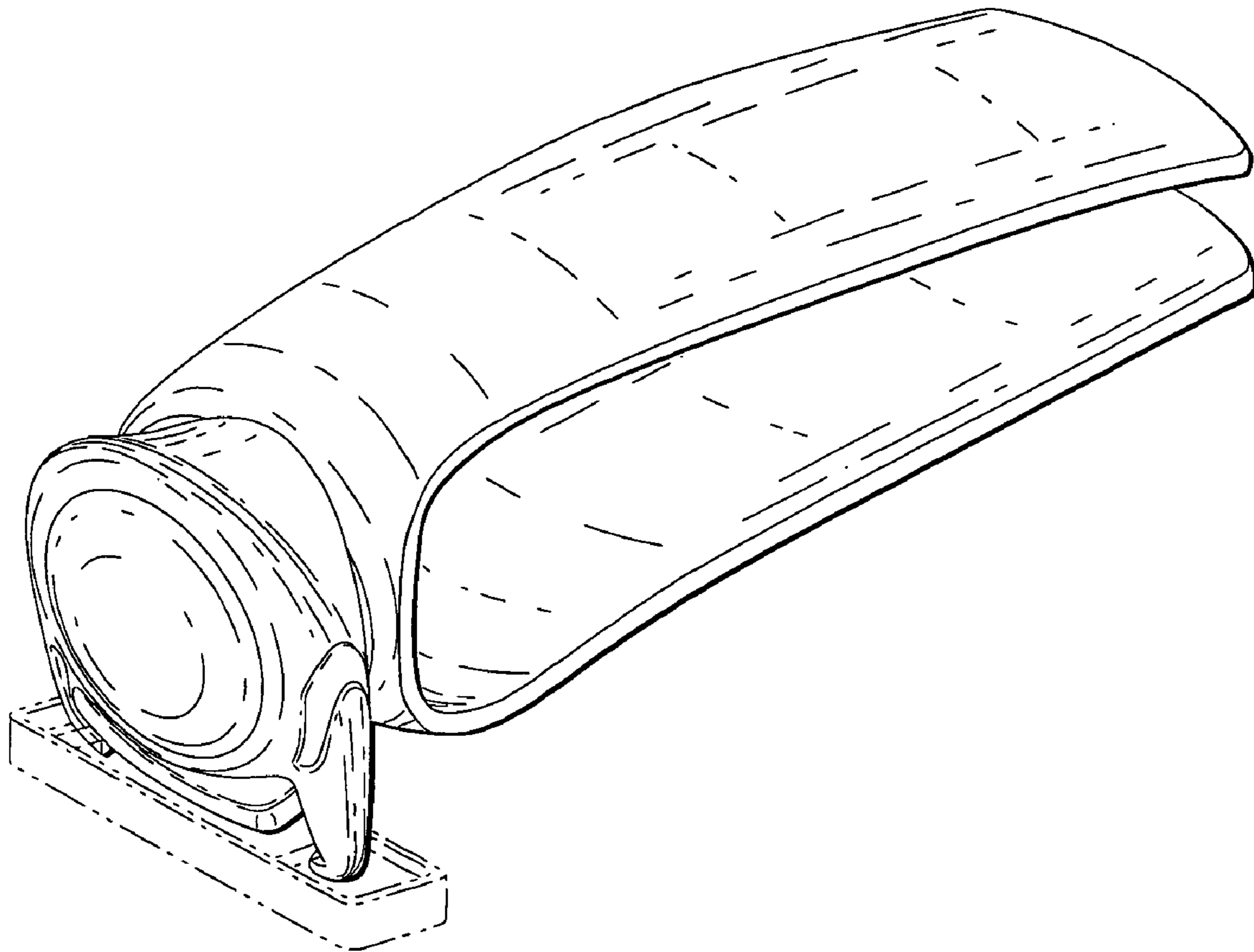
FIG. 5 is the other side of the head razor.

FIG. 6 is the top view of the head razor; and,

FIG. 7 is the bottom view of the head razor.

The broken lines in FIGS. 1 through 7 displaying the razor blade are for illustrative purposes only and form no part of the claimed design.

1 Claim, 2 Drawing Sheets



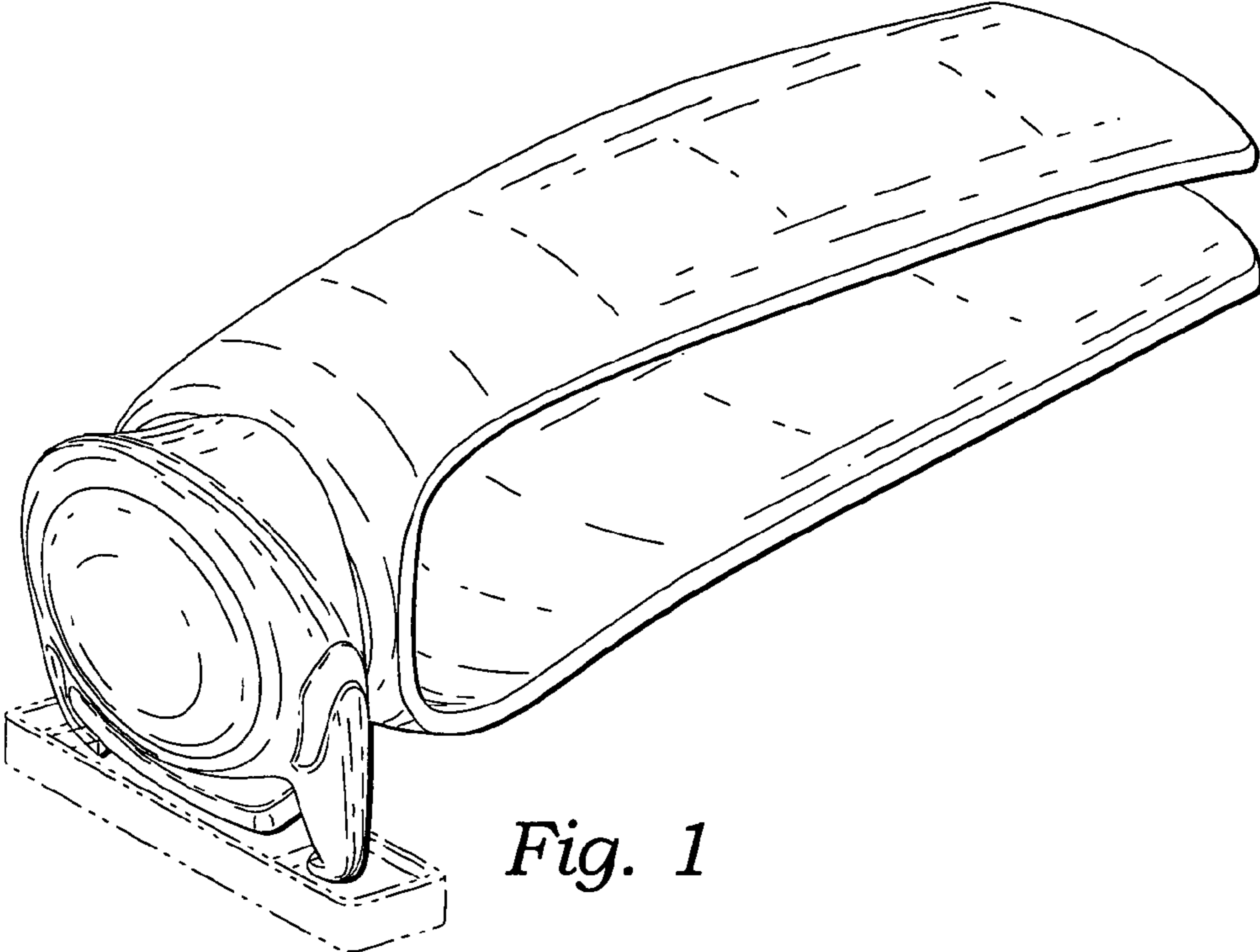


Fig. 1

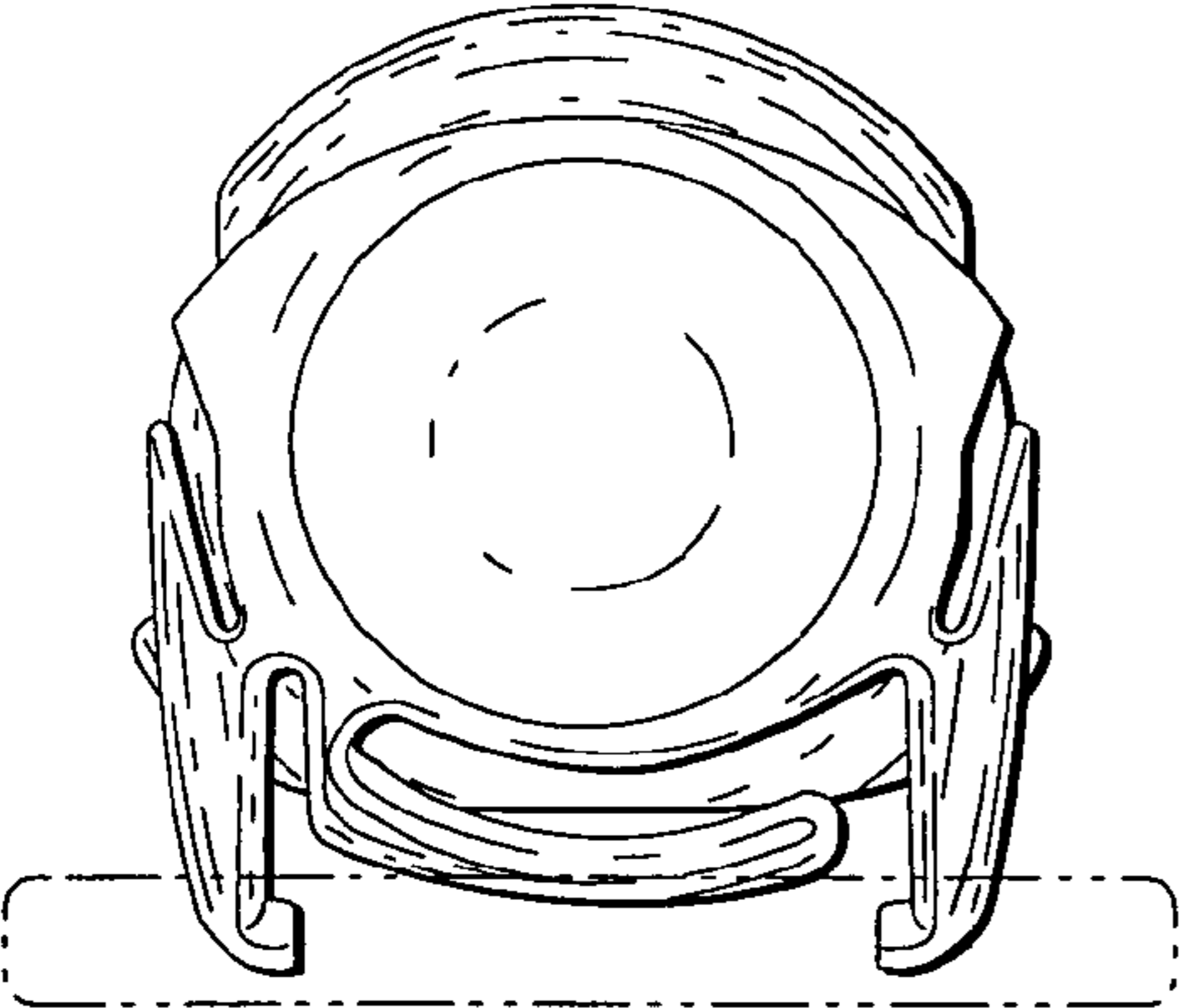


Fig. 2

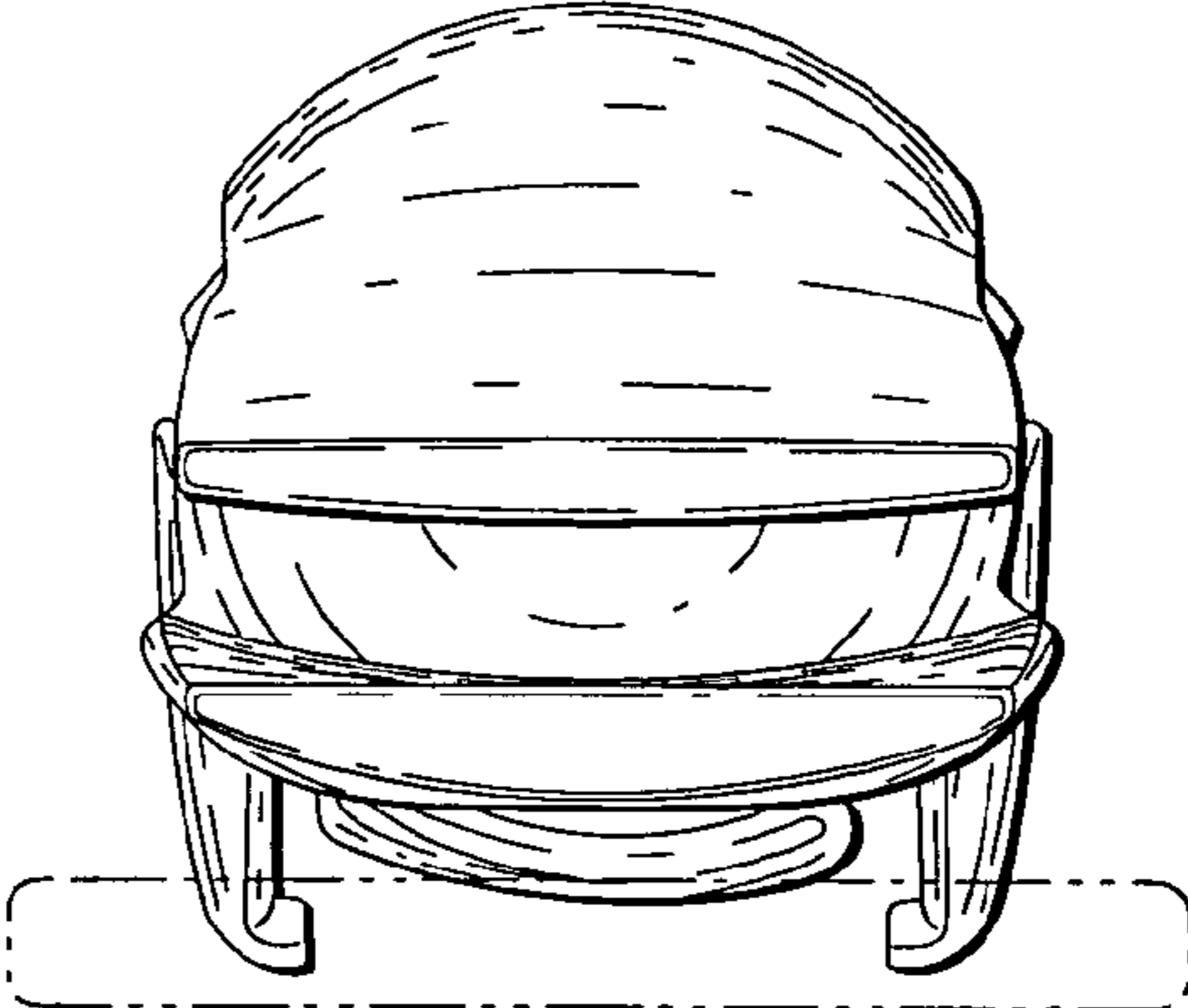


Fig. 3

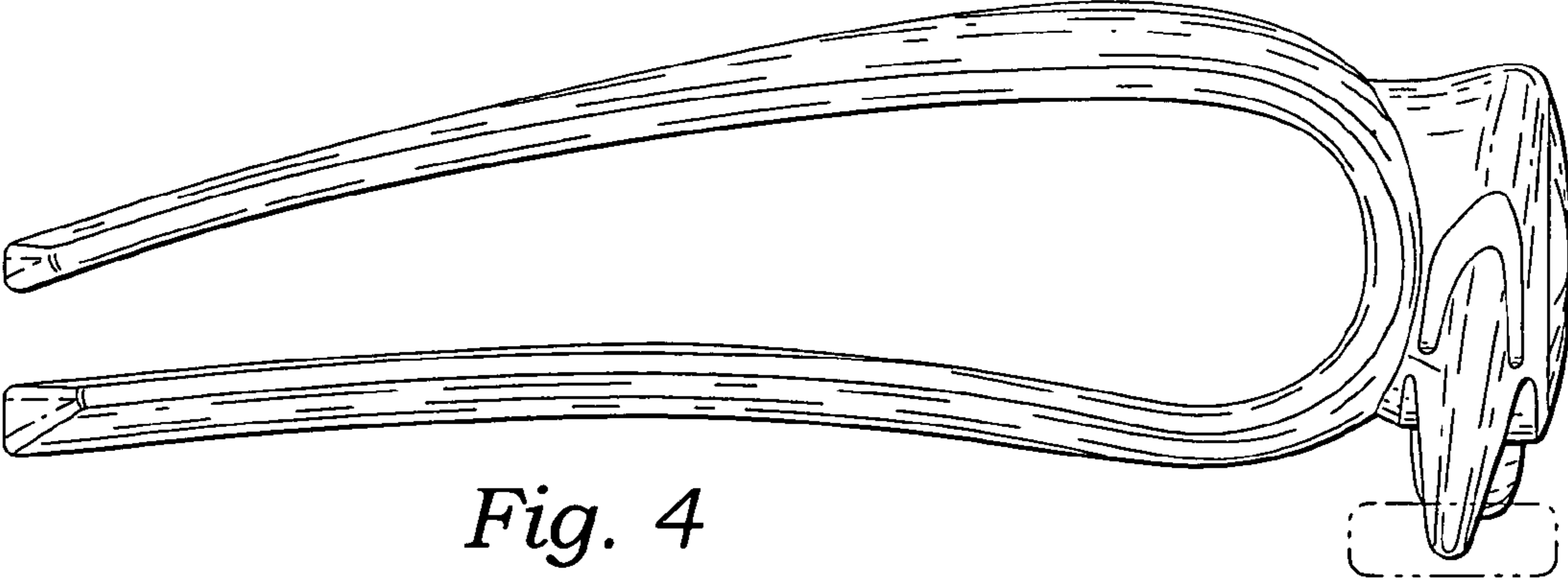


Fig. 4

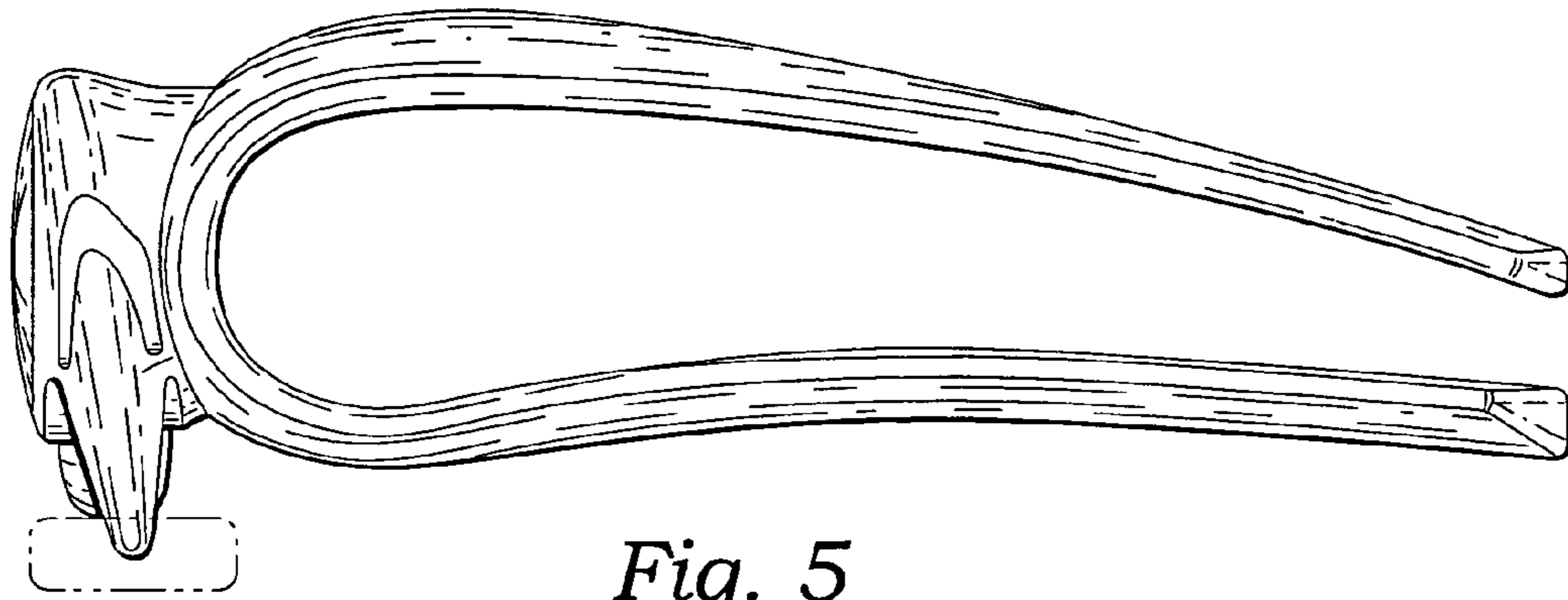


Fig. 5

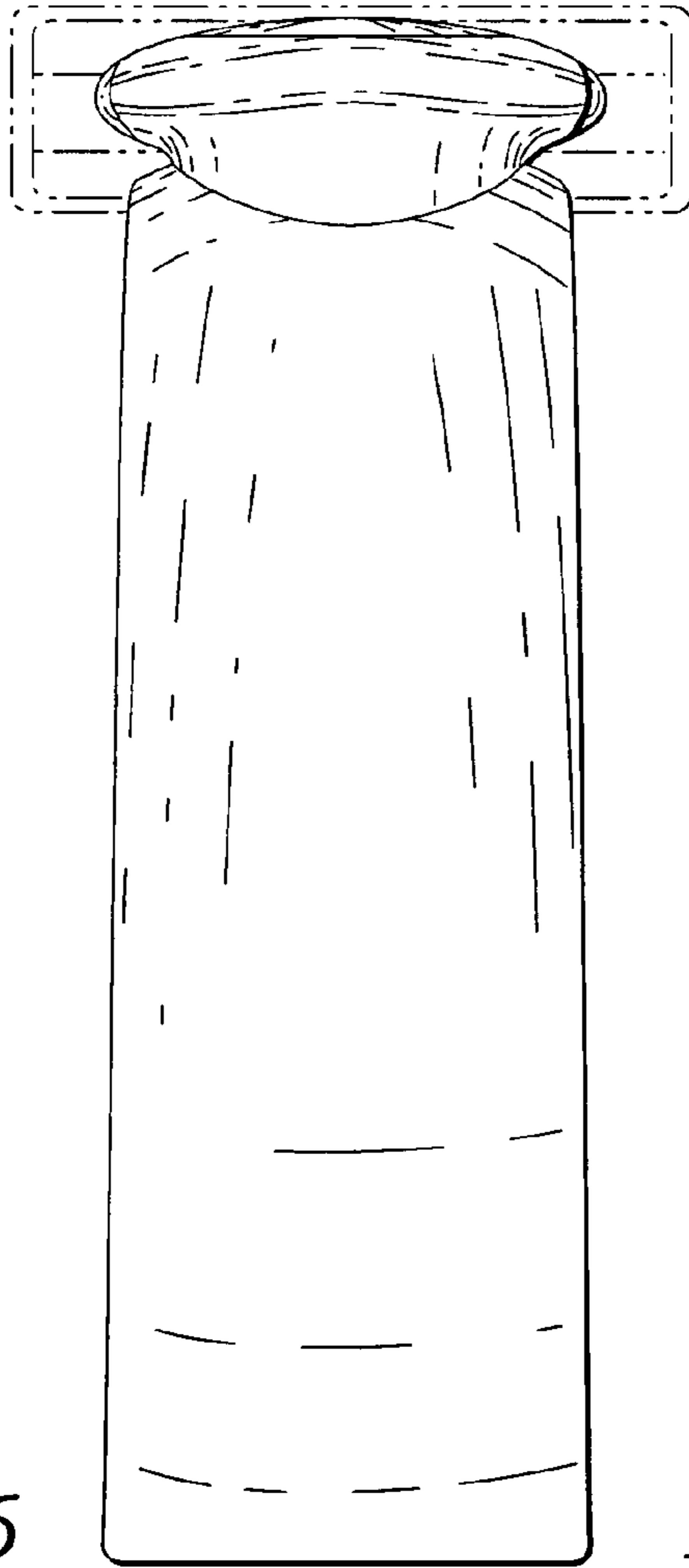


Fig. 6

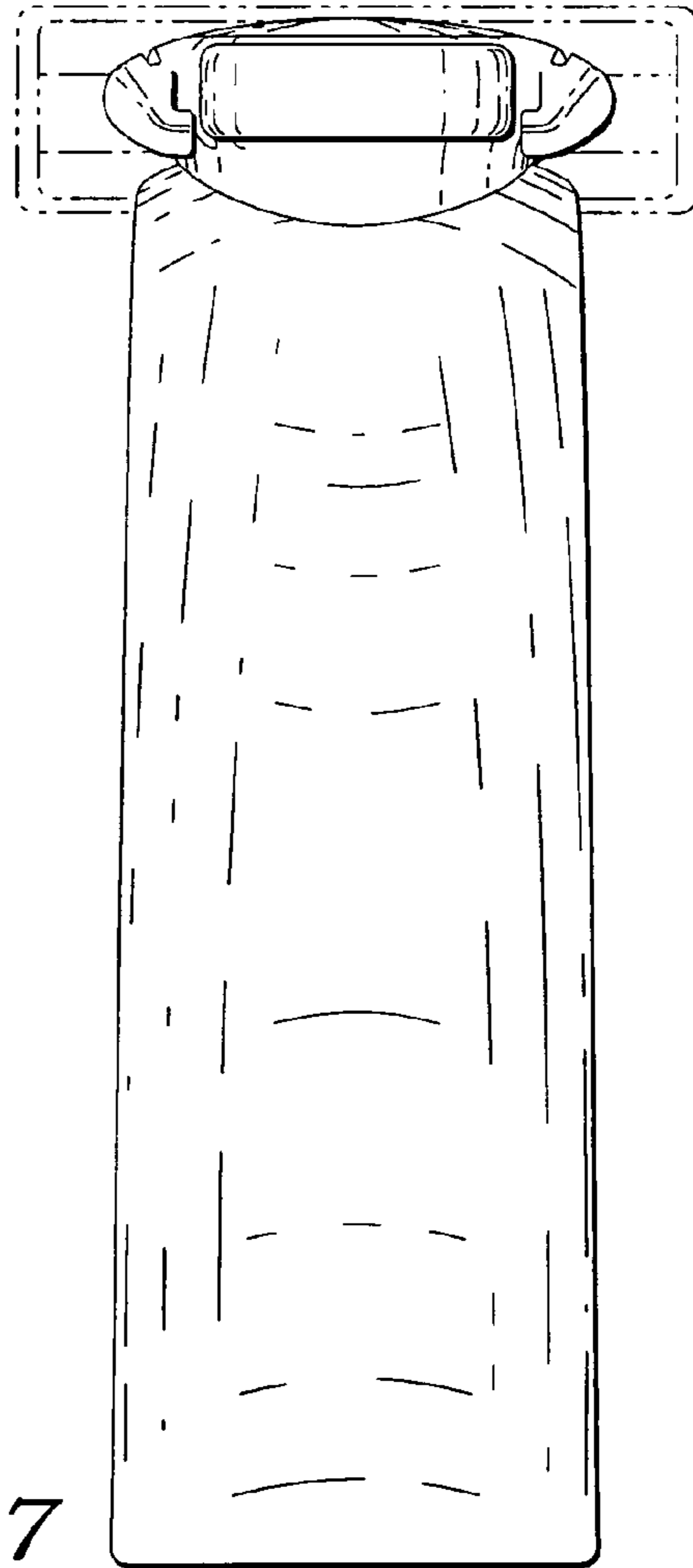


Fig. 7