



US00D612535S

(12) **United States Design Patent**
Fisher et al.

(10) **Patent No.:** **US D612,535 S**
(45) **Date of Patent:** **** Mar. 23, 2010**

(54) **LIGHTING FIXTURE**

(75) Inventors: **Andrew Fisher**, San Francisco, CA
(US); **Jeffrey Weisman**, San Francisco,
CA (US)

(73) Assignee: **Boyd Lighting Fixture Company**, San
Francisco, CA (US)

(**) Term: **14 Years**

(21) Appl. No.: **29/342,210**

(22) Filed: **Aug. 20, 2009**

(51) **LOC (9) Cl.** **26-99**

(52) **U.S. Cl.** **D26/154**

(58) **Field of Classification Search** D26/145,
D26/154, 155, 142, 118, 138, 120, 92, 87,
D26/71, 67, 60, 62, 63, 68, 70, 72, 80, 81,
D26/85, 86, 88, 113, 140, 141, 143, 144,
D26/153; D25/126, 127; 52/28, 295; 362/432,
362/443, 800, 431, 153, 153.1, 395, 401,
362/405, 410

See application file for complete search history.

(56) **References Cited**

U.S. PATENT DOCUMENTS

D181,554 S * 11/1957 Stiffel D26/81
2,863,041 A * 12/1958 Steinbach 362/236
3,113,679 A * 12/1963 Smith 211/118
D210,796 S * 4/1968 Jones D26/102

D210,797 S * 4/1968 Jones D26/102
D226,532 S * 3/1973 Ishii D26/84
D342,339 S * 12/1993 Lin D26/102
D444,895 S * 7/2001 Moriyama et al. D26/25
6,398,391 B1 * 6/2002 Huang 362/431
6,863,423 B2 * 3/2005 Stone et al. 362/404
D545,998 S * 7/2007 Mazzie, Jr. D26/144
D557,852 S * 12/2007 Sanoner D26/68
2003/0016544 A1 * 1/2003 Huang 362/565

* cited by examiner

Primary Examiner—Cathron C Brooks

Assistant Examiner—Kevin K Rudzinski

(74) *Attorney, Agent, or Firm*—Heslin Rothenberg Farley &
Mesiti P.C.

(57) **CLAIM**

The ornamental design for a lighting fixture, as shown and
described.

DESCRIPTION

FIG. 1 is a perspective view of a lighting fixture in accordance
with the new design;

FIG. 2 is a front elevational view thereof;

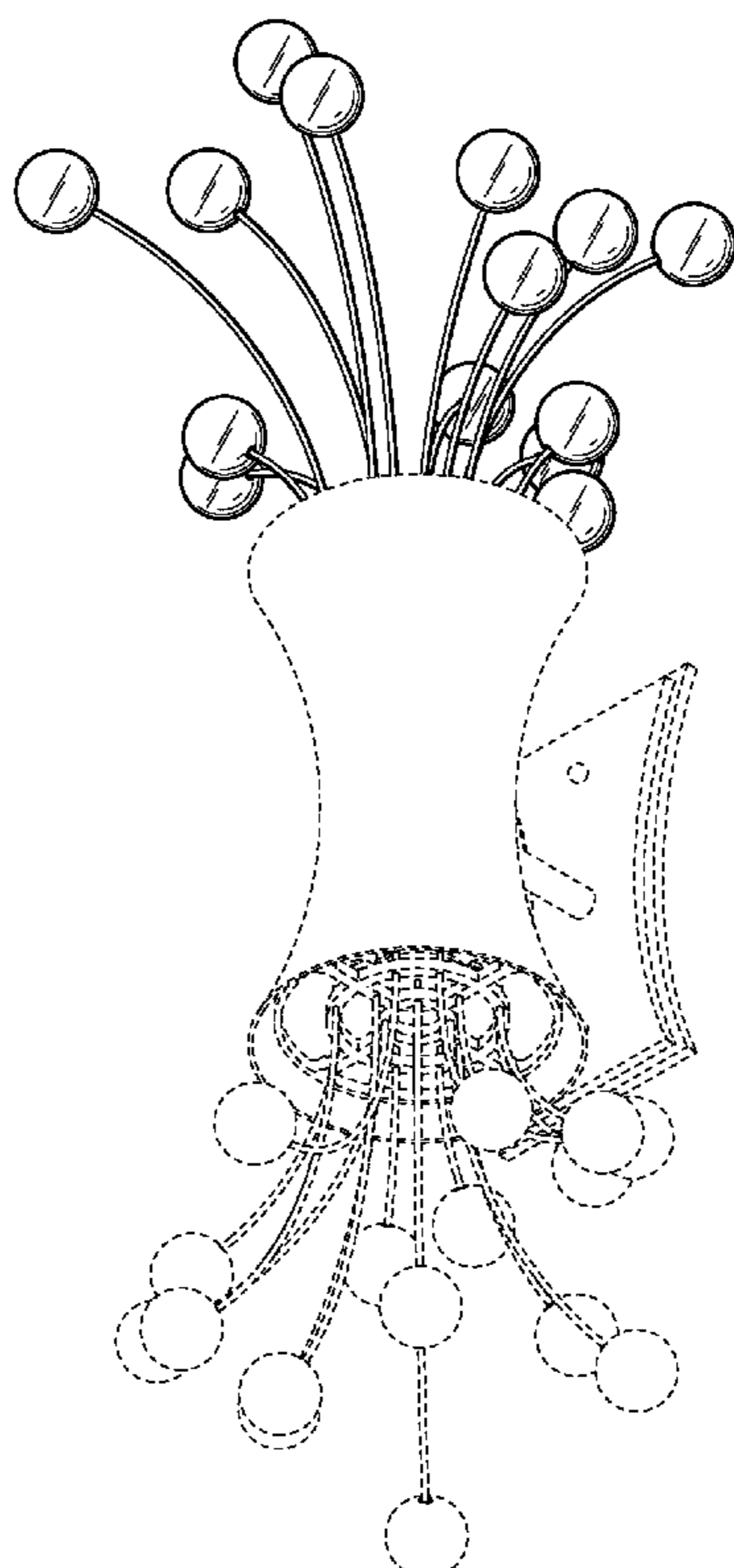
FIG. 3 is a left side elevational view thereof;

FIG. 4 is a right side elevational view thereof; and,

FIG. 5 is a top view thereof.

The broken lines in the figures are for illustration purposes
only and form no part of the claimed invention.

1 Claim, 5 Drawing Sheets



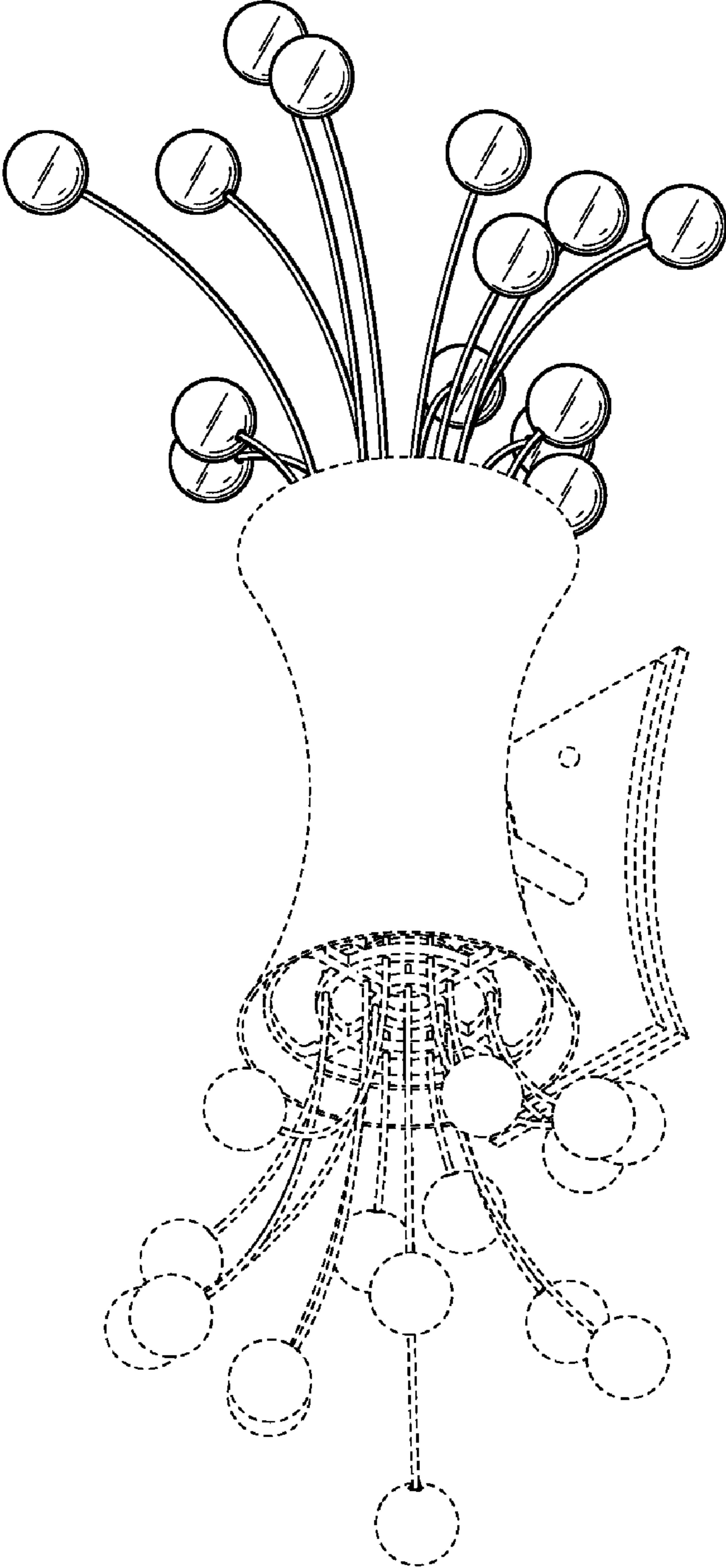


FIG. 1

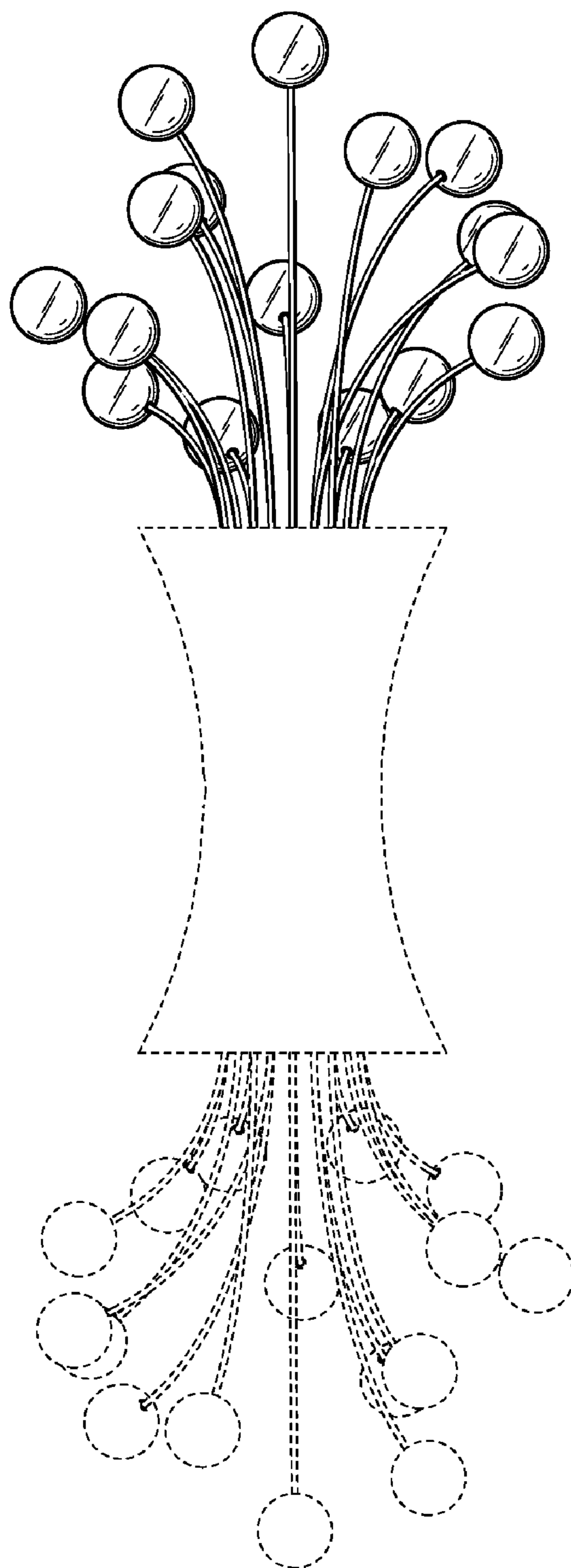


FIG. 2

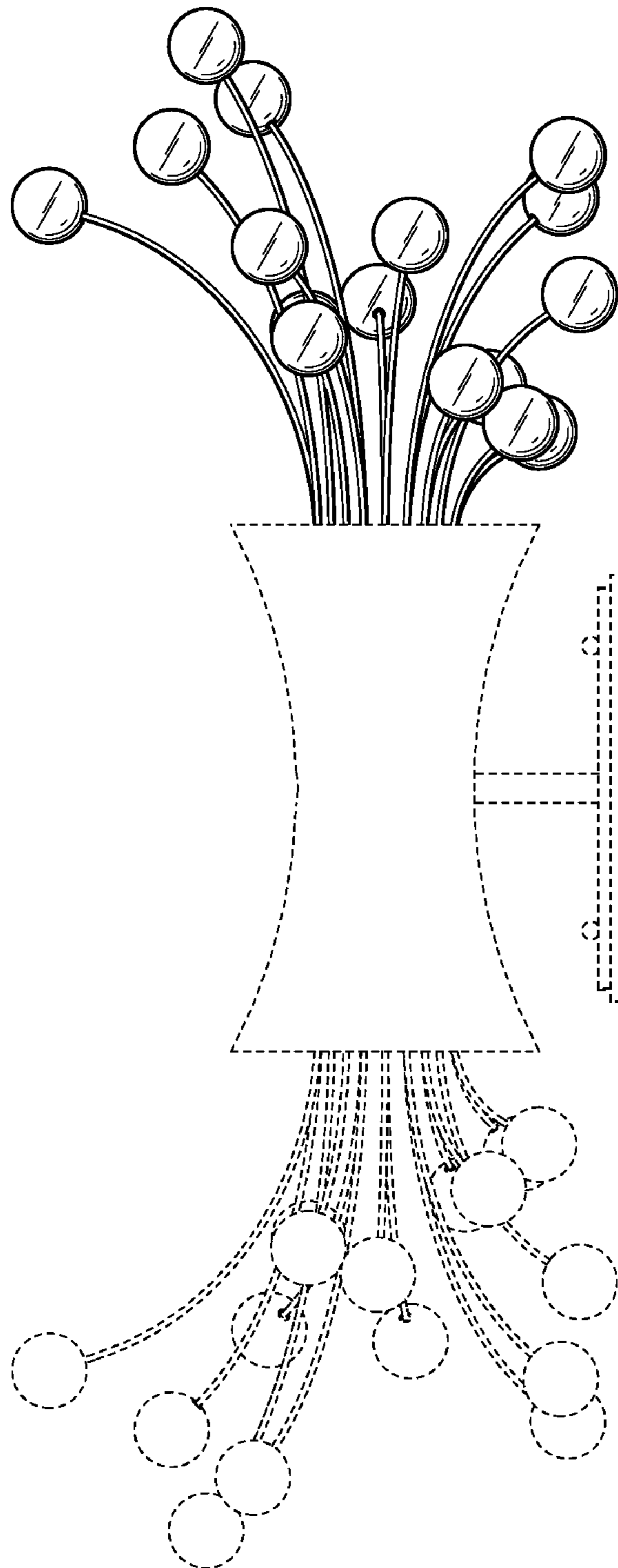


FIG. 3

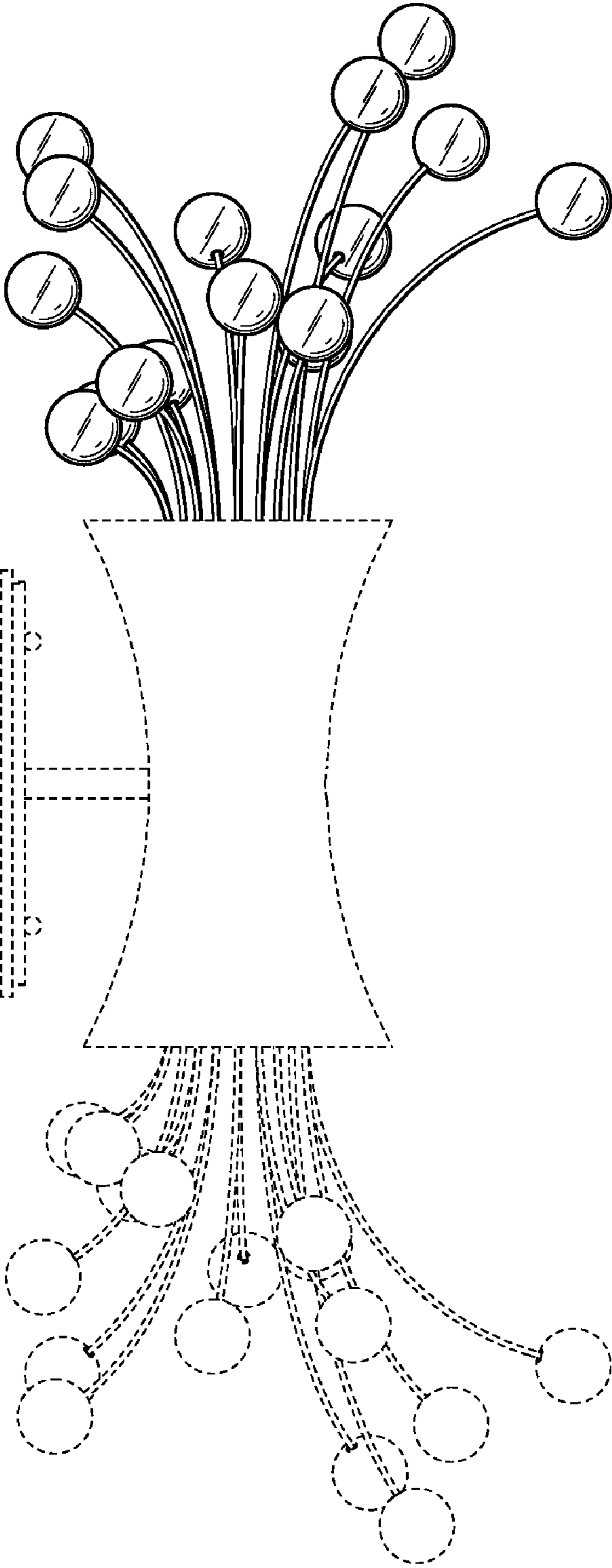


FIG. 4

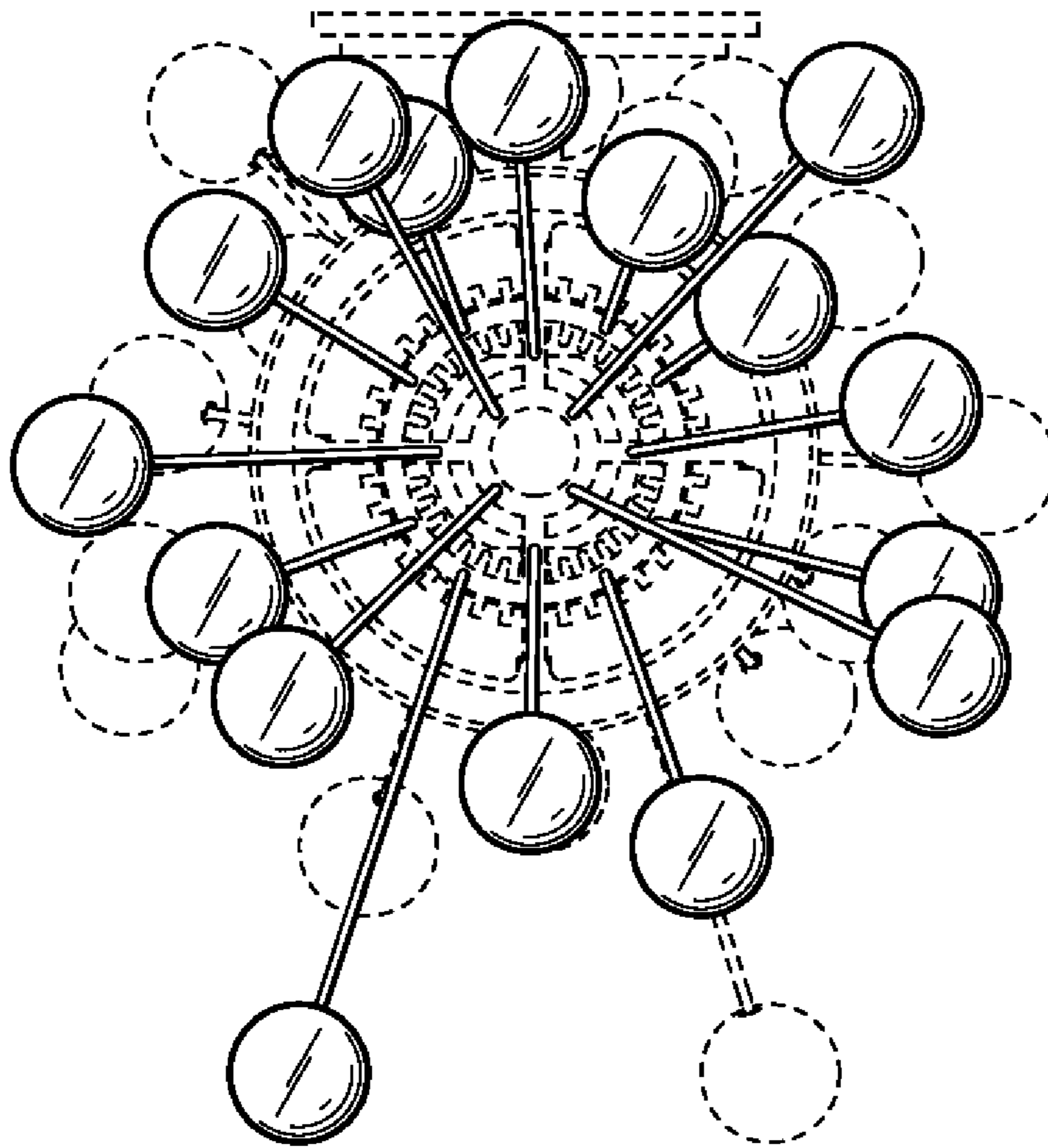


FIG. 5