



US00D612534S

(12) **United States Design Patent**
Mayfield, III et al.

(10) **Patent No.:** **US D612,534 S**
(45) **Date of Patent:** **** *Mar. 23, 2010**

(54) **BRACKET**

FOREIGN PATENT DOCUMENTS

(75) Inventors: **John T. Mayfield, III**, Loganville, GA
(US); **Russell V. Rouse**, Oxford, GA
(US); **Peter M. Schmidt**, Conyers, GA
(US)

CA 123993 11/2008

(Continued)

(73) Assignee: **ABL IP Holding LLC**, Conyers, GA
(US)

OTHER PUBLICATIONS

A.L.P. Lighting Components, Inc., "Convert-A-Strip", 1999, pp. 1-2.

(Continued)

(**) Term: **14 Years**

Primary Examiner—Cathron C Brooks

Assistant Examiner—Kevin K Rudzinski

(21) Appl. No.: **29/307,508**

(74) *Attorney, Agent, or Firm*—Kilpatrick Stockton, LLP

(22) Filed: **Apr. 24, 2008**

(57) **CLAIM**

(51) **LOC (9) Cl.** **26-99**

The ornamental design for a bracket, as shown and described.

(52) **U.S. Cl.** **D26/142**

(58) **Field of Classification Search** D26/63,
D26/65, 73, 62, 76, 42, 26, 60, 72, 74, 75,
D26/83, 85, 88, 89, 90, 93, 103, 107, 109,
D26/113, 118, 120, 125, 138, 140, 141, 142,
D26/149, 150, 151, 152, 154, 155, 145, 81,
D26/87; 362/220, 249, 219, 225, 601, 607,
362/147, 217, 659, 171, 641, 644, 657, 658,
362/257, 280, 285, 382, 364, 403, 410, 431,
362/455, 809, 432; D6/474, 477, 479, 480;
D13/134, 136, 146; 439/241, 231, 441, 244;
D8/363, 354, 349, 382, 380, 364, 366, 373,
D8/376, 377

DESCRIPTION

FIG. 1 shows a perspective view of a bracket according to the present invention.

FIG. 2 shows another perspective view of a bracket of FIG. 1.

FIG. 3 shows a front view of the bracket of FIG. 1.

FIG. 4 shows a right side profile view of the bracket of FIG. 1, the left side profile view being a mirror image of the right side profile view.

FIG. 5 shows a rear view of the bracket of FIG. 1.

FIG. 6 shows a top view of the bracket of FIG. 1; and,

FIG. 7 shows a bottom view of the bracket of FIG. 1.

Portions or features of the bracket shown in broken lines in the drawings form no part of the claimed design. Portions or features of the bracket absent in the drawings form no part of the claimed design.

See application file for complete search history.

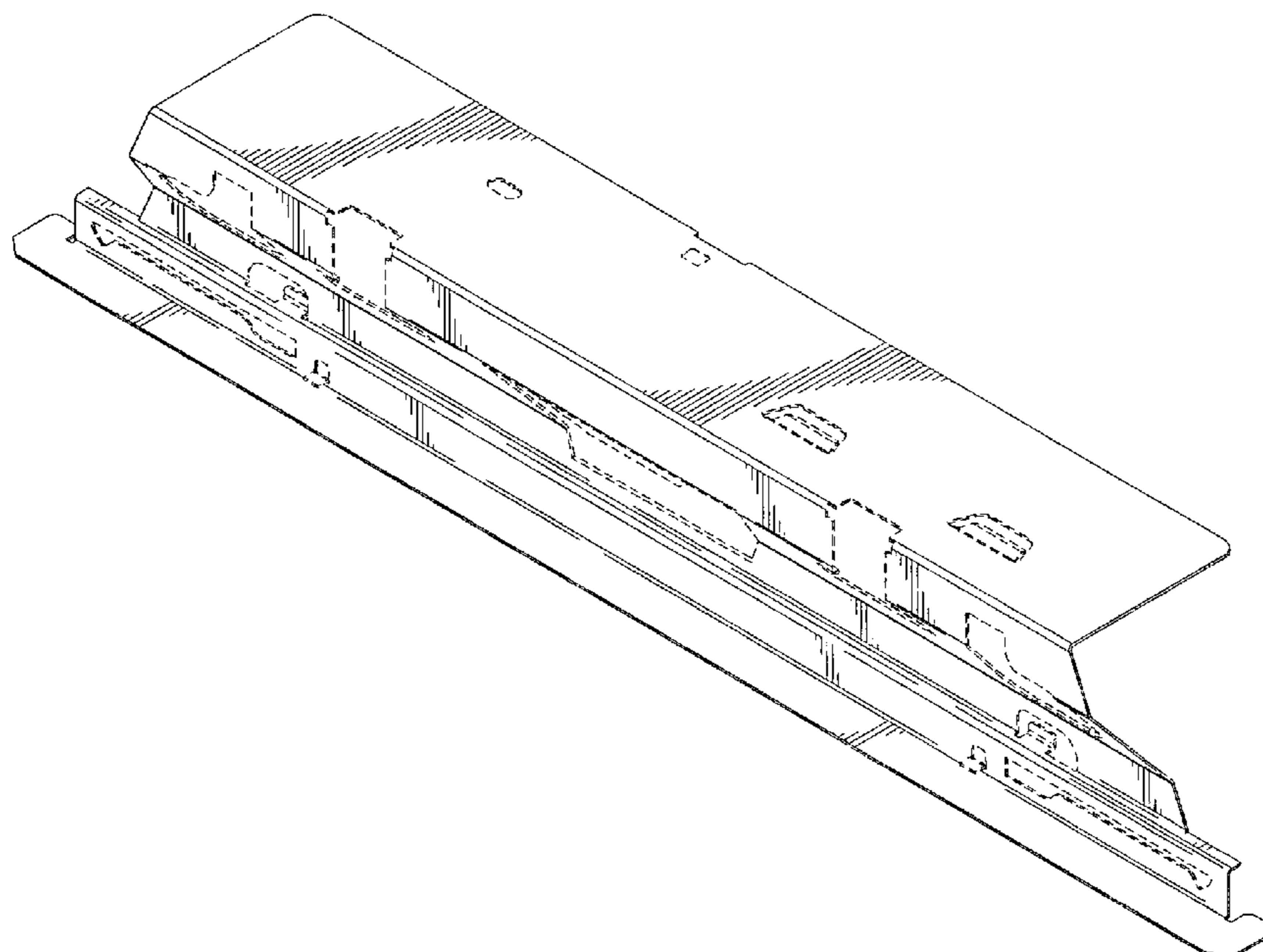
(56) **References Cited**

U.S. PATENT DOCUMENTS

1,900,551 A 3/1933 Guth
D122,861 S 10/1940 Carter

(Continued)

1 Claim, 4 Drawing Sheets



US D612,534 S

U.S. PATENT DOCUMENTS					
D128,961 S	8/1941	Hrabak	5,606,222 A	2/1997	Cottaar et al.
2,258,354 A	10/1941	Doane	D378,860 S	4/1997	Galletly
D132,144 S	4/1942	Hallman	5,615,943 A	4/1997	Coldren
2,281,376 A	4/1942	Ohm	5,621,277 A	4/1997	Ricca
2,334,005 A	11/1943	Hoeveler	D383,966 S *	9/1997	Zaccagni D8/354
D143,641 S	1/1946	Biller et al.	5,716,125 A	2/1998	Aubrey
D155,306 S	9/1949	Meyer	5,746,502 A	5/1998	Huang
D156,332 S	12/1949	Gilman	D397,819 S	9/1998	Thorton
2,490,018 A *	12/1949	Davis 292/288	5,803,585 A	9/1998	Littman et al.
D160,417 S	10/1950	Nitardy	5,806,972 A	9/1998	Kaiser et al.
2,565,741 A	8/1951	Runge	5,823,663 A	10/1998	Bell et al.
2,606,998 A	8/1952	Wyman et al.	5,826,970 A	10/1998	Keller et al.
2,670,429 A	2/1954	Tillson	5,828,185 A	10/1998	Fellows et al.
2,701,840 A	2/1955	Carlson	5,836,677 A	11/1998	Connors et al.
2,852,663 A	9/1958	Stuffer et al.	5,938,316 A	8/1999	Yan
2,946,880 A	7/1960	Picho et al.	5,949,347 A	9/1999	Wu
3,009,054 A	11/1961	Thomas	5,971,571 A	10/1999	Rose
3,154,001 A *	10/1964	Zurawski 454/354	5,988,829 A	11/1999	Holder
3,265,887 A	8/1966	Wince	5,988,836 A	11/1999	Swarens
D209,534 S	12/1967	Eisenberg	5,997,158 A	12/1999	Fischer et al.
3,381,124 A	4/1968	Eisenberg	5,998,939 A	12/1999	Fellows et al.
3,838,268 A	9/1974	Fabbri	6,010,230 A	1/2000	Schmidt et al.
D240,853 S	8/1976	Aronson	6,024,468 A	2/2000	Kassay et al.
D247,061 S *	1/1978	Win D26/152	6,050,709 A *	4/2000	Hastings 362/375
4,135,228 A	1/1979	Lones	6,059,424 A	5/2000	Kotloff
4,220,986 A	9/1980	Matteo et al.	6,062,704 A	5/2000	Holder
4,229,785 A	10/1980	Tutler	6,102,550 A	8/2000	Edwards
4,317,625 A	3/1982	Van Allen	6,107,744 A	8/2000	Bavaro et al.
4,338,663 A	7/1982	Strecker et al.	6,149,280 A	11/2000	Quiogue et al.
D275,264 S *	8/1984	Wegener, II D8/373	6,168,299 B1	1/2001	Yan
D275,553 S *	9/1984	Emmie et al. D8/363	6,168,300 B1	1/2001	Fischer et al.
4,494,175 A	1/1985	Gawad et al.	6,206,545 B1	3/2001	Yan
4,498,126 A	2/1985	Hernandez	D440,341 S	4/2001	Arumugasaamy
4,554,619 A	11/1985	Bansbach et al.	6,210,019 B1	4/2001	Weathers
D285,047 S *	8/1986	Dean et al. D8/382	6,210,025 B1	4/2001	Schmidt et al.
4,613,929 A	9/1986	Totten	6,234,641 B1	5/2001	Ungard
4,650,265 A	3/1987	Holtzman	6,238,065 B1	5/2001	Jones
4,674,015 A	6/1987	Smith	6,280,052 B1	8/2001	White
4,690,359 A *	9/1987	Phillips 248/300	6,305,816 B1	10/2001	Corcorran et al.
4,698,734 A	10/1987	Ngai	6,367,179 B1	4/2002	Marsh
4,725,934 A	2/1988	Gordin	6,419,375 B1	7/2002	Leadford et al.
4,748,545 A *	5/1988	Schmitt 362/219	6,422,720 B2	7/2002	Fischer et al.
4,799,136 A	1/1989	Molnar	D461,267 S	8/2002	Arumugasaamy
D300,873 S	4/1989	Thompson et al.	6,454,442 B1	9/2002	Changaris
4,849,867 A	7/1989	Glass et al.	6,485,166 B1	11/2002	Fouke
4,947,303 A	8/1990	Gordin et al.	D467,676 S	12/2002	Packer et al.
4,950,959 A	8/1990	Beckrot et al.	D467,677 S	12/2002	Ries et al.
4,956,758 A	9/1990	Aubrey et al.	6,505,953 B1	1/2003	Dahlen
4,967,324 A	10/1990	Barclay	6,505,959 B2	1/2003	Masaki et al.
5,029,794 A *	7/1991	Wolfe 248/343	6,530,681 B2	3/2003	Sieczkowski
D320,094 S	9/1991	Miller et al.	6,537,649 B1	3/2003	Martin et al.
5,045,981 A	9/1991	Nagano	D472,665 S	4/2003	Herst et al.
5,055,976 A	10/1991	Arai	D472,666 S	4/2003	Herst et al.
5,075,828 A	12/1991	Gordin et al.	D472,667 S	4/2003	Herst et al.
5,083,248 A	1/1992	Troy	D472,668 S	4/2003	Herst et al.
5,117,342 A	5/1992	Vlah	D473,007 S	4/2003	Herst et al.
D329,102 S	9/1992	Dieperink	D473,335 S	4/2003	Brohard et al.
5,195,822 A	3/1993	Takahashi et al.	6,540,382 B1	4/2003	Simon
5,303,507 A	4/1994	Oille	6,582,098 B1	6/2003	Brown et al.
5,365,411 A	11/1994	Rycroft et al.	D477,891 S	7/2003	Fritze et al.
D357,607 S *	4/1995	Nilsson D6/495	D480,168 S	9/2003	Herst et al.
5,412,551 A	5/1995	Newell	D480,172 S	9/2003	Herst et al.
D360,271 S	7/1995	Butler	6,612,718 B1	9/2003	Packer et al.
D361,402 S *	8/1995	Herst et al. D26/152	6,612,723 B2	9/2003	Futhey et al.
5,440,466 A	8/1995	Belisle et al.	D480,500 S	10/2003	Herst et al.
5,440,470 A	8/1995	Ly	D480,501 S	10/2003	Herst et al.
D365,409 S	12/1995	Lu	D480,502 S	10/2003	Herst et al.
5,550,723 A	8/1996	Ullman	D480,503 S	10/2003	Herst et al.
D374,579 S *	10/1996	Nilsson D6/495	D480,530 S	10/2003	Herst et al.
D376,094 S *	12/1996	Hubbard D8/354	D480,830 S	10/2003	Sieczkowski
5,580,158 A	12/1996	Aubrey et al.	D481,488 S	10/2003	Herst et al.
			D481,489 S	10/2003	Cline et al.
			6,635,999 B2	10/2003	Belliveau

6,637,912 B2 10/2003 Arumugasaamy et al.
D481,820 S 11/2003 Watt
6,652,118 B2 11/2003 Shemitz et al.
D483,510 S 12/2003 Burhenne et al.
6,655,819 B2 12/2003 Loga et al.
D485,932 S 1/2004 Crane
6,690,113 B1 2/2004 Ng
D487,527 S 3/2004 Sieczkowski
6,709,131 B1 3/2004 Herst et al.
6,715,903 B2 4/2004 Wang
6,726,345 B2 4/2004 Arumugusaamy et al.
6,752,513 B2 6/2004 Plunk
6,755,559 B2 6/2004 Wang et al.
6,758,580 B1 7/2004 Verfuether
6,853,151 B2 2/2005 Leong et al.
6,854,860 B2 2/2005 Plunk
6,869,205 B1 3/2005 Yan
6,908,212 B2 6/2005 Schultz
6,964,502 B1 11/2005 Verfuether
6,974,233 B1 12/2005 Aubrey
7,001,039 B1 2/2006 Aubrey
D520,176 S 5/2006 Herst et al.
7,036,957 B2 5/2006 Paravantsos
7,042,173 B2 5/2006 Huber
7,049,761 B2 5/2006 Timmermans et al.
7,063,445 B2 6/2006 Wang et al.
7,067,992 B2 6/2006 Leong et al.
7,075,253 B2 7/2006 Huber
7,080,923 B2 7/2006 Plunk et al.
7,101,056 B2 9/2006 Pare
7,108,398 B2 9/2006 Holten
7,229,192 B2 6/2007 Mayfield et al.
7,261,435 B2 8/2007 Gould et al.
D556,560 S * 12/2007 Tsuda D8/382
D586,948 S 2/2009 Mayfield et al.
D594,590 S 6/2009 Mayfield et al.
2001/0006463 A1 7/2001 Fischer et al.
2001/0050850 A1 12/2001 Plunk
2002/0015301 A1 * 2/2002 Woolston et al. 362/34
2002/0080615 A1 6/2002 Marshall et al.
2002/0195953 A1 12/2002 Belliveau
2004/0042218 A1 3/2004 Wang et al.
2004/0105259 A1 6/2004 Plunk
2004/0114363 A1 6/2004 Crunk
2004/0232852 A1 11/2004 Huber
2004/0232856 A1 11/2004 Huber
2005/0201094 A1 9/2005 Plunk
2006/0018116 A1 1/2006 Plunk et al.
2006/0170376 A1 8/2006 Piepgras et al.
2007/0008716 A1 1/2007 Glickman
2007/0025709 A1 2/2007 Gladnick et al.
2007/0127234 A1 6/2007 Jervey, III
2007/0177390 A1 8/2007 Evans
2007/0189026 A1 8/2007 Chemel et al.
2007/0211457 A1 9/2007 Mayfield et al.

2007/0228999 A1 10/2007 Kit
2007/0297181 A1 12/2007 Mayfield et al.
2009/0207603 A1 8/2009 Lydecker et al.

FOREIGN PATENT DOCUMENTS

GB	2060212	2/1997
GB	2091915	4/2000
JP	10321009	12/1998
JP	2001307504	11/2001
JP	2005343339	12/2005

OTHER PUBLICATIONS

A.L.P. Lighting Components, Inc., "Guide to Lighting Retrofit", 2005, pp. 1-31.
ALTER, "Lighting 1994-1995", 1994, pp. 1-6.
CFI Fluorescent, "Alter Soft Lights", 1996, pp. 1-8.
Columbia Lighting, "Stratus STR 14-2", 1998, pp. 1-9.
Cooper Lighting, "Metalux", 1999 pp. 1-8.
Day-Brite Lighting, "Parabolic Retrofit", Installation Instructions, No. 7-19789- 103, Oct. 15, 2008, 2 pages.
Day-Brite Lighting, "Troffer/Parabolic Retrofit", Job Information Data, No. NA0018-TR, Aug. 1, 2008, 2 pages.
Focal Point LLC, "Luna", 1997, pp. 1-5.
Kwik-Change Products, "KC 2000 Series", A.L.P. Lighting Components, Inc., 2004.
Kwik-Change Products, "KC ACR Series", A.L.P. Lighting Components, Inc., 2004.
Kwik-Change Products, "KC RDI", A.L.P. Lighting Components, Inc., 2003.
Kwik-Change Products, "KC-PLNAB 2-3/8" "Series", A.L.P. Lighting Components, Inc., 2002.
Kwik-Change Products, "KC-PLTA 2 Series", A.L.P. Lighting Components, Inc. 1999.
Kwik-Fit Products, "Kwik-Fit PLLA 1-1/2", A.L.P. Lighting Components, Inc., 1999.
Kwik-Fit Products, "Kwik-Fit PLMA 3/4", A.L.P. Lighting Components, Inc., 1999.
Lightolier, A Division of Genlyte/Thomas "Alter Soft Lights", 2003, pp. 1-67.
Lithonia Lighting, an Acuity Brands Company, Architectural Fluorescent Recessed Direct/Indirect Lighting, 1999, pp. 1-13.
Lithonia Lighting, an Acuity Brands Company, Product Selection Guide, 8th Edition 2003, pp. 1-620.
Lithonia Lighting, an Acuity Brands Company, Direct/Indirect Lighting 2002, pp. 1-15.
Lithonia Lighting, an Acuity Brands Company, Avante, Recessed Direct/Indirect Lighting, 1996, pp. 1-4.
Lithonia Lighting, an Acuity Brands Company, Avante, Direct/Indirect General Lighting System, 1996, 2 pages.
Ledalite Architectural Products, "Pure FX With Mesooptics", a Genlyte Company, 2004 pp. 1-14.
Sylvania Lighting International, "Recessed Luminaires", Neuheiten/News, pp. 1-6

* cited by examiner

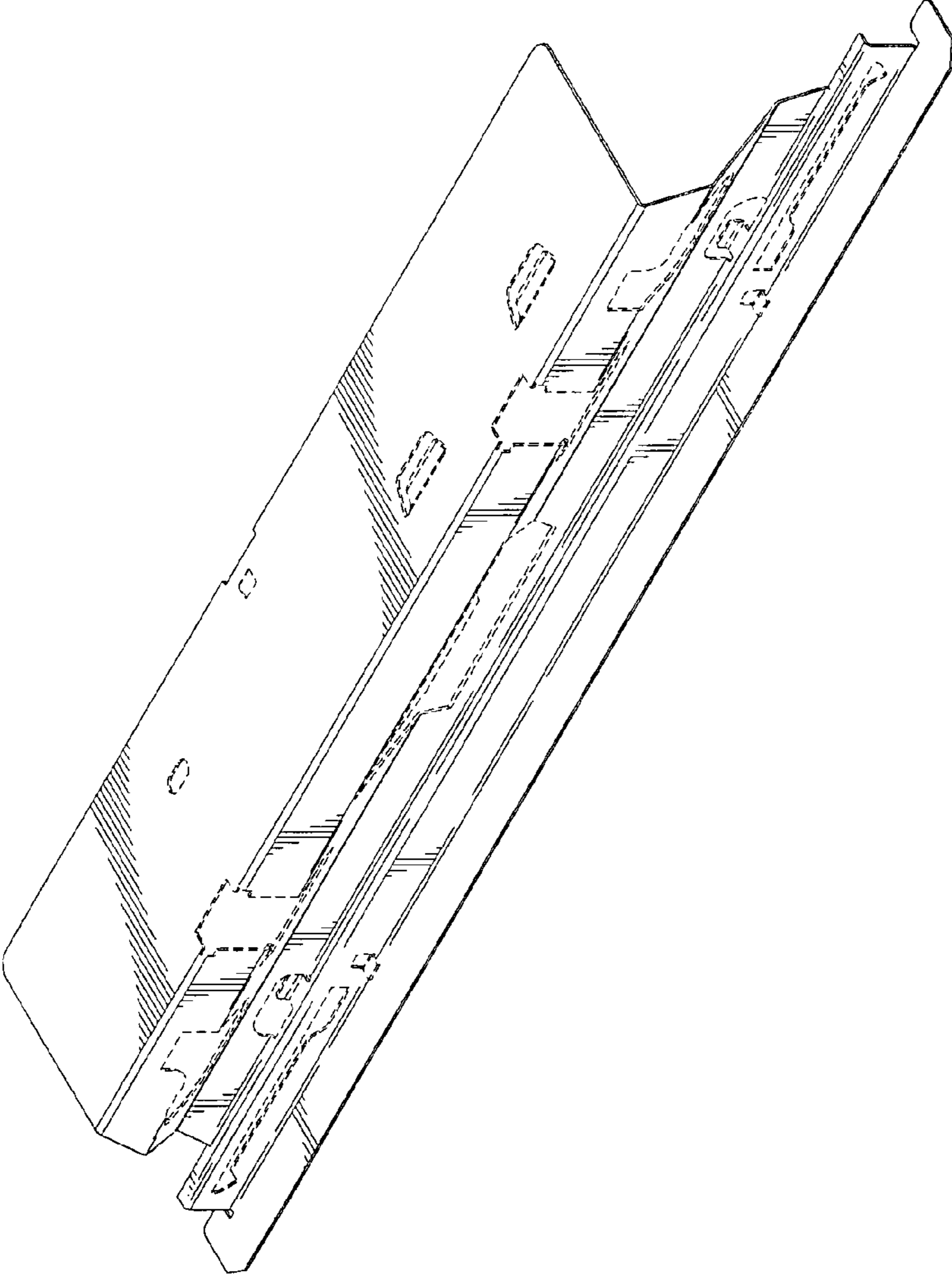


FIG. 1

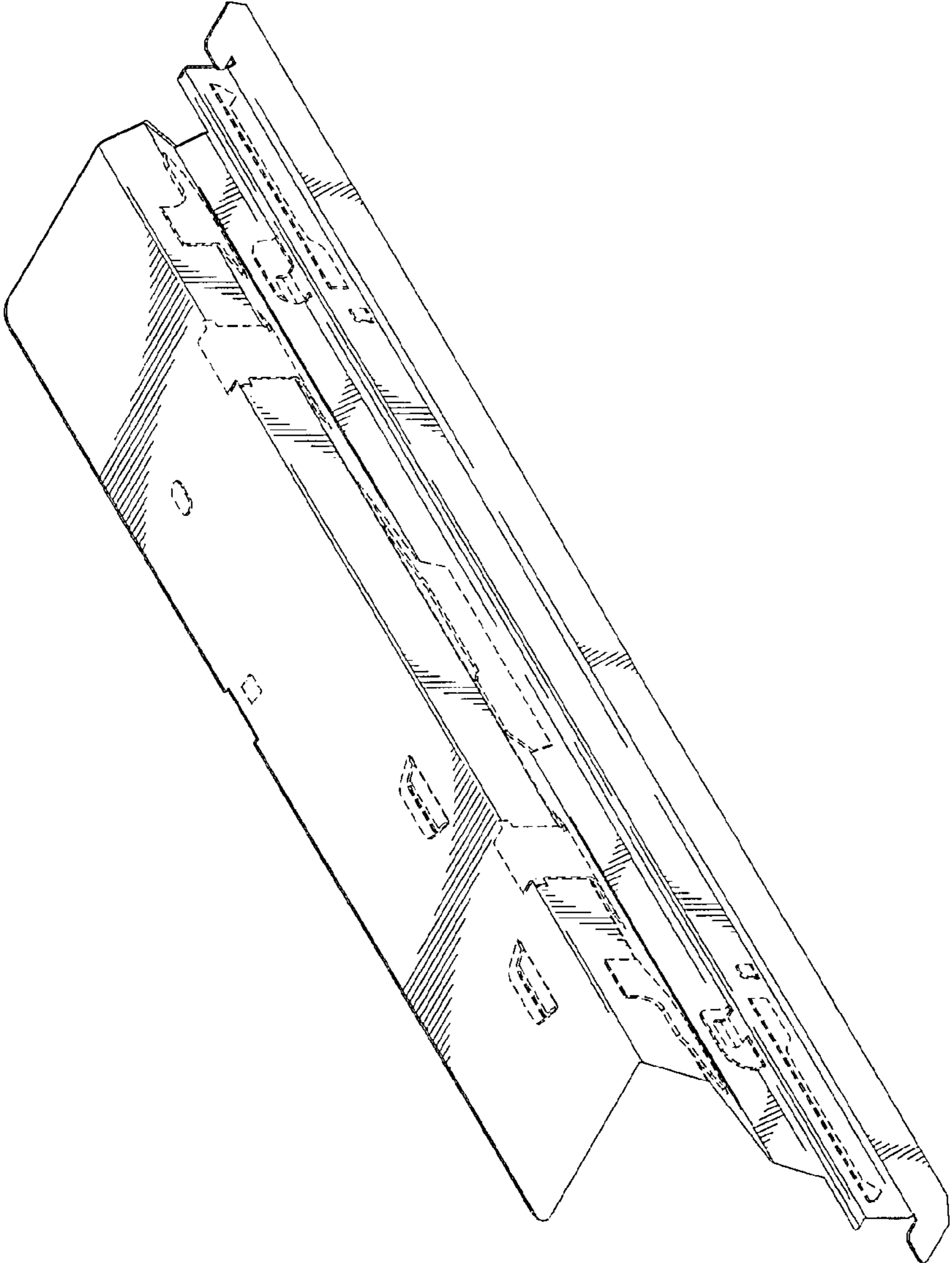


FIG. 2

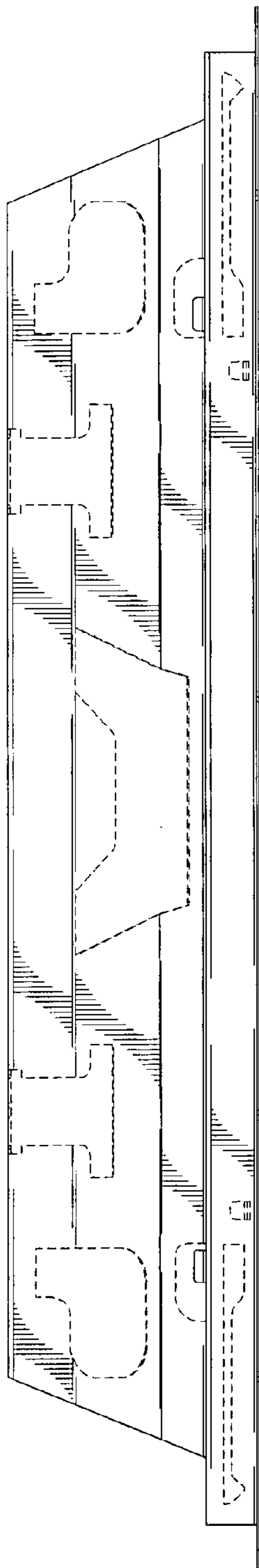


FIG. 3

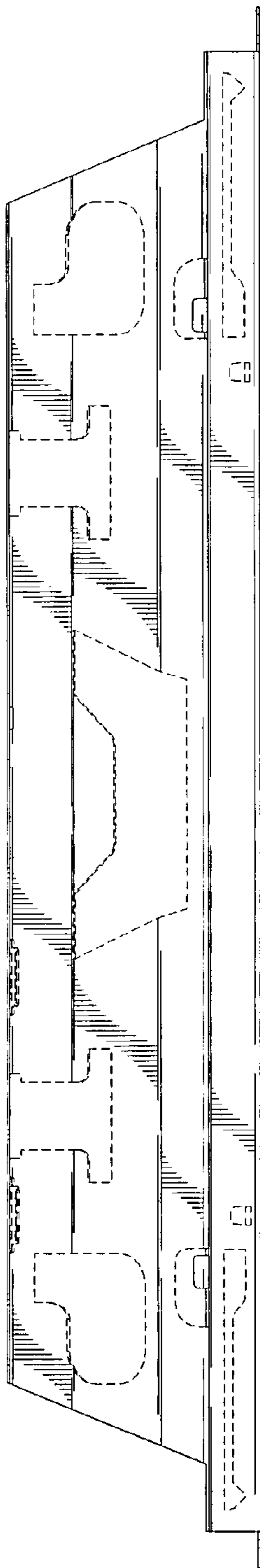


FIG. 5

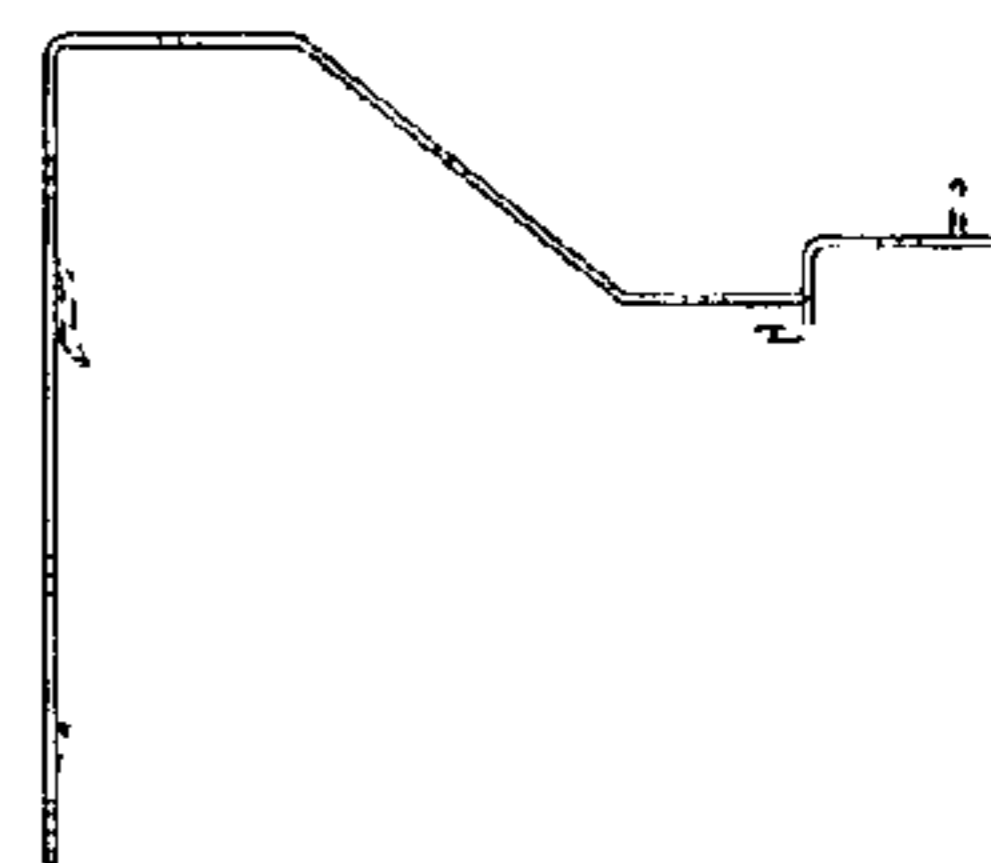


FIG. 4

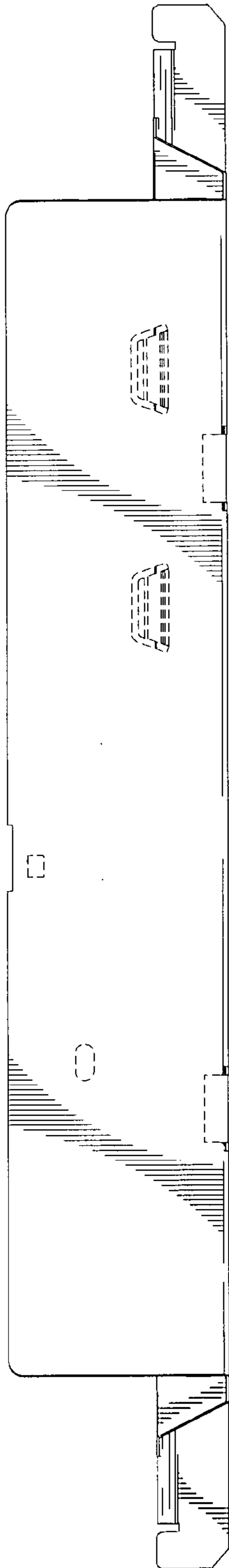


FIG. 6

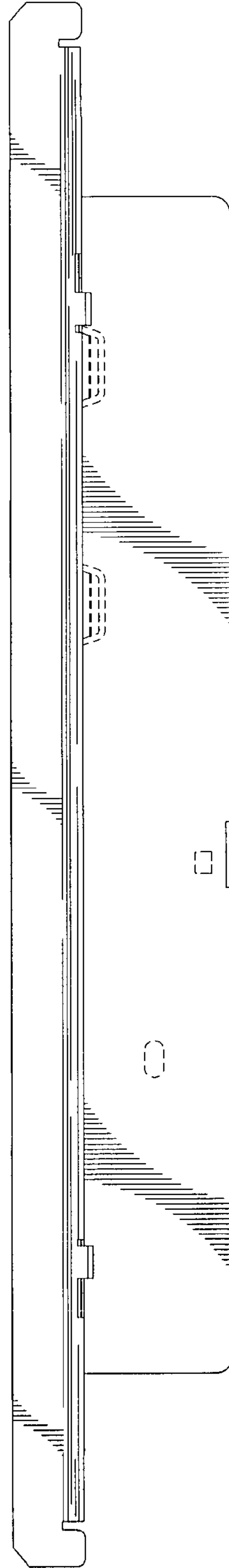


FIG. 7