



US00D612533S

(12) **United States Design Patent**
Kim

(10) **Patent No.:** **US D612,533 S**
(45) **Date of Patent:** **** Mar. 23, 2010**

(54) **SOCKET FOR FLUORESCENT LAMP**

D493,425 S * 7/2004 Henrici et al. D13/134
7,059,888 B2 * 6/2006 Frappier et al. 439/375

(75) Inventor: **Jin Myung Kim**, Seoul (KR)

* cited by examiner

(73) Assignee: **Feelux Co., Ltd.**, Gyeonggi-Do (KR)

Primary Examiner—Cathron C Brooks

(**) Term: **14 Years**

Assistant Examiner—Kevin K Rudzinski

(21) Appl. No.: **29/336,105**

(74) *Attorney, Agent, or Firm*—Knobbe Martens Olson & Bear LLP

(22) Filed: **Apr. 28, 2009**

(57) **CLAIM**

(51) **LOC (9) Cl.** **26-99**

The ornamental design for a socket for fluorescent lamp, as shown and described herein.

(52) **U.S. Cl.** **D26/138**

(58) **Field of Classification Search** D26/113,
D26/63, 118, 93, 110, 138, 61, 24, 120, 40,
D26/73, 2, 25, 37, 60, 81, 119, 122, 123,
D26/128, 140, 141, 142; 362/33, 249.09,
362/648, 101; D13/110, 134, 180; 439/121,
439/239, 241

DESCRIPTION

See application file for complete search history.

FIG. 1 is a perspective view of a socket for fluorescent lamp in accordance with an embodiment of the present invention; FIG. 2 is a front view thereof; FIG. 3 is a rear view thereof; FIG. 4 is a left side view thereof; FIG. 5 is a right side view thereof; FIG. 6 is a top plan view thereof; FIG. 7 is a bottom plan view thereof; FIG. 8 is another perspective view thereof; FIGS. 9–12 are enlarged perspective views thereof; FIG. 13 is an enlarged left side view thereof; and, FIG. 14 is an enlarged right side view thereof.

(56) **References Cited**

U.S. PATENT DOCUMENTS

2,282,875	A *	5/1942	Mueller	439/159
2,530,607	A *	11/1950	Fox	439/241
4,198,109	A *	4/1980	Ustin	439/239
5,023,762	A *	6/1991	Tieszen	362/223
5,260,678	A *	11/1993	Van Wagener et al.	336/96
D380,731	S *	7/1997	Schadhauser	D13/134
D388,395	S *	12/1997	Henrici	D13/134
5,720,546	A *	2/1998	Correll et al.	362/221
D391,548	S *	3/1998	Sato et al.	D13/134
D415,468	S *	10/1999	Klaus et al.	D13/134
D420,326	S *	2/2000	Henrici	D13/134
D440,941	S *	4/2001	Parekh	D13/134
D491,890	S *	6/2004	Henrici et al.	D13/134

The broken lines shown in the drawings are included for the purpose of illustrating environmental structures and form no part of the claimed design.

1 Claim, 6 Drawing Sheets

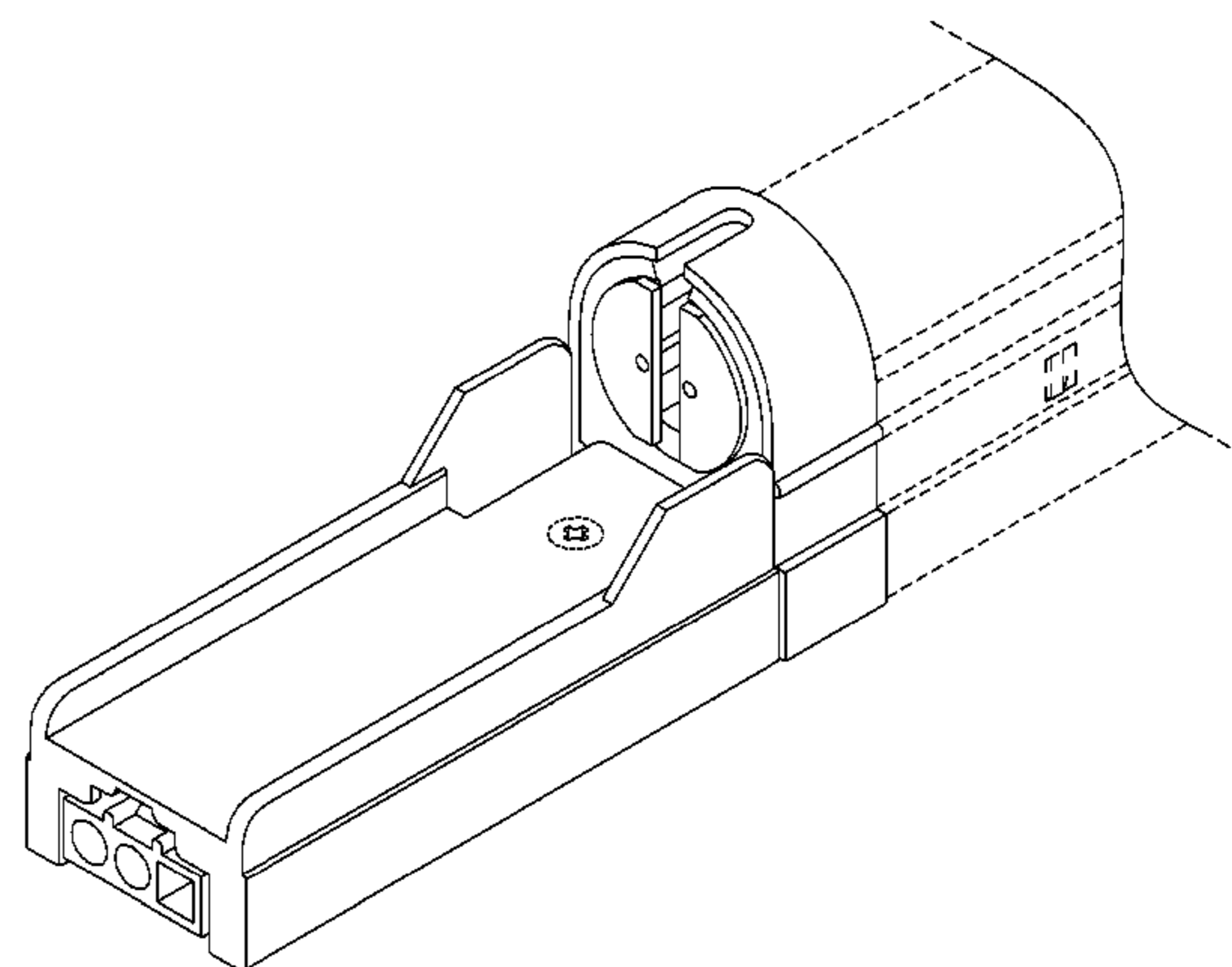
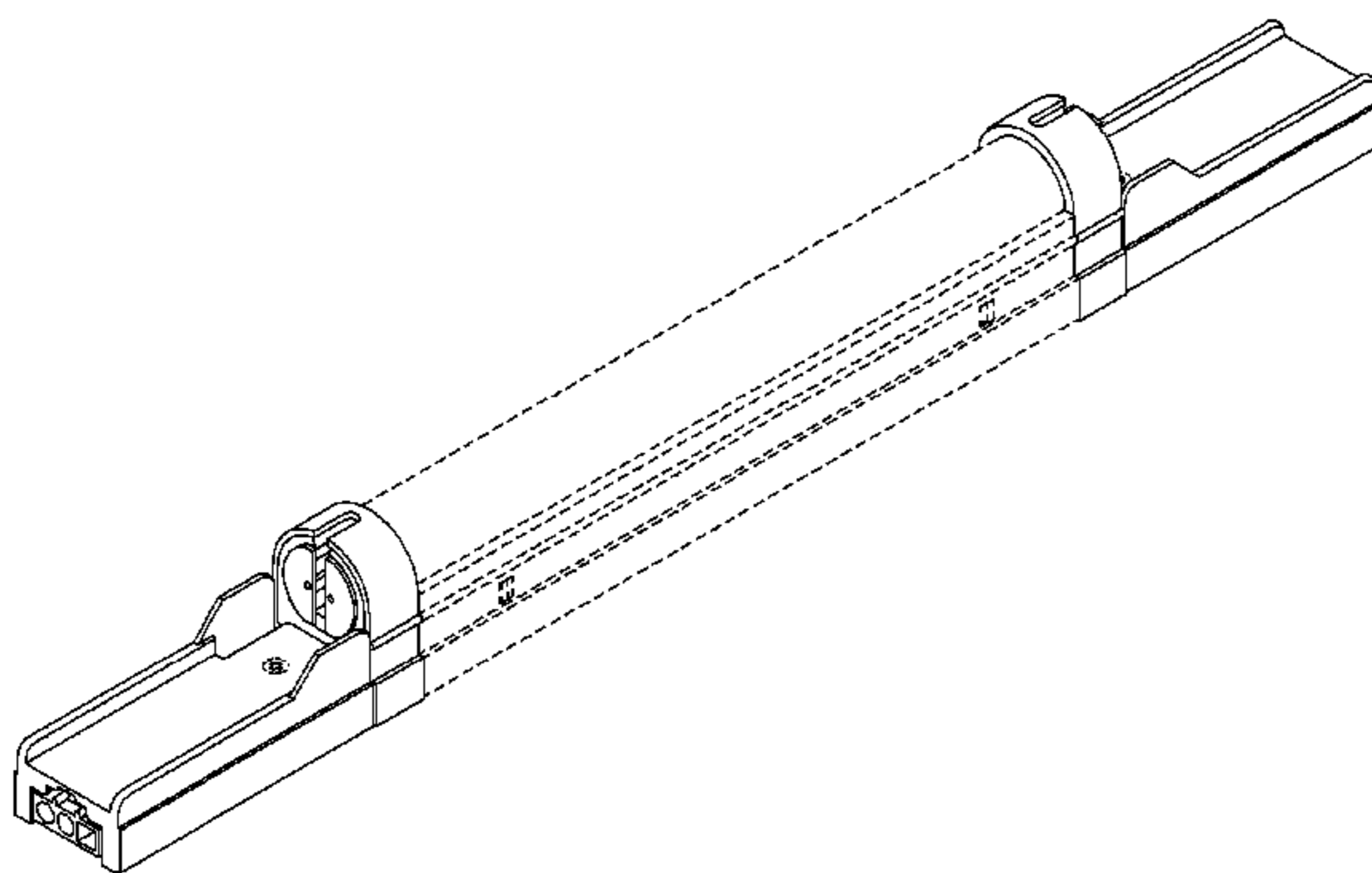


Fig. 1

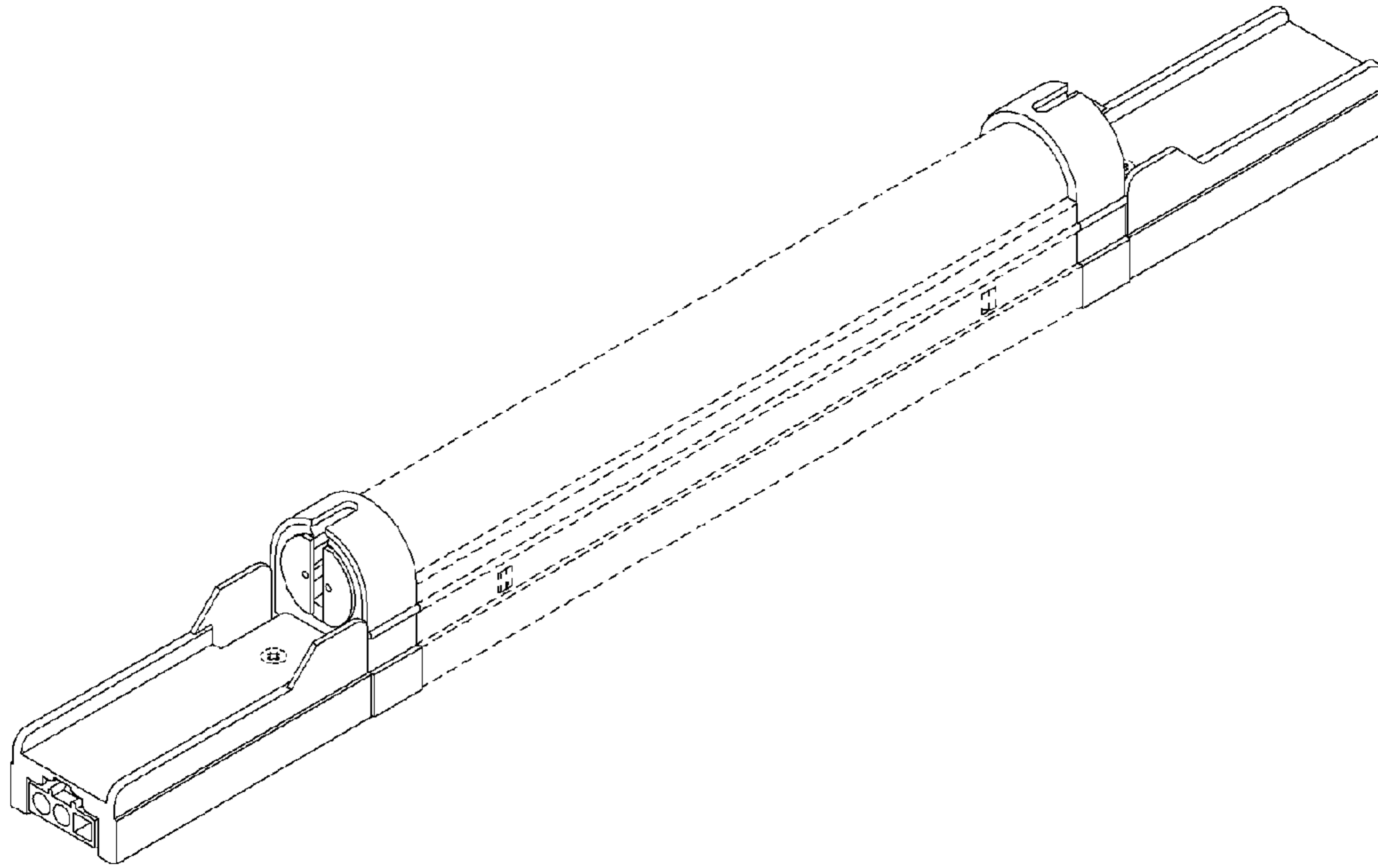


Fig. 2

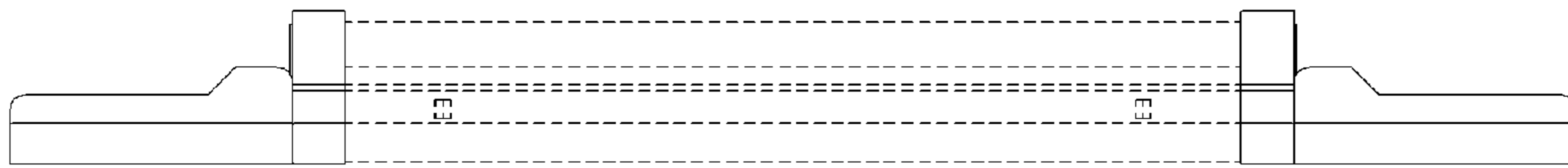


Fig. 3

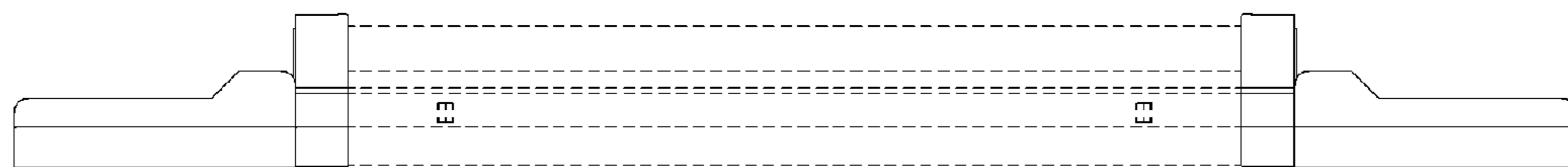


Fig. 4

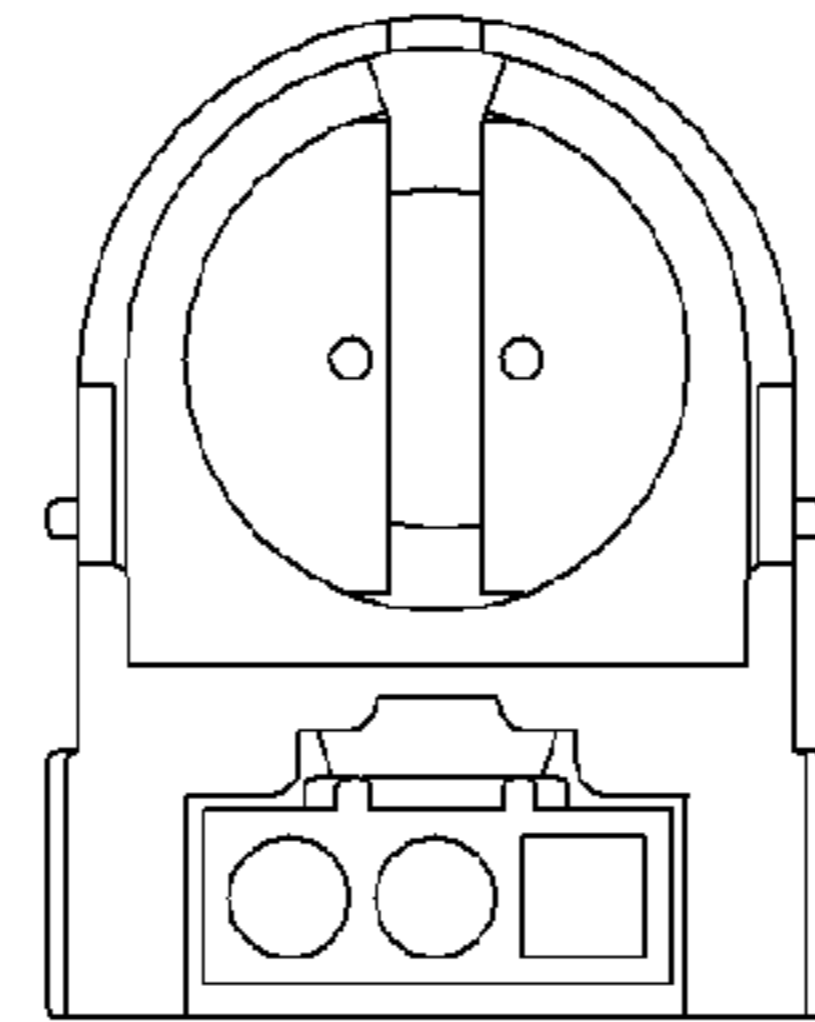


Fig. 5

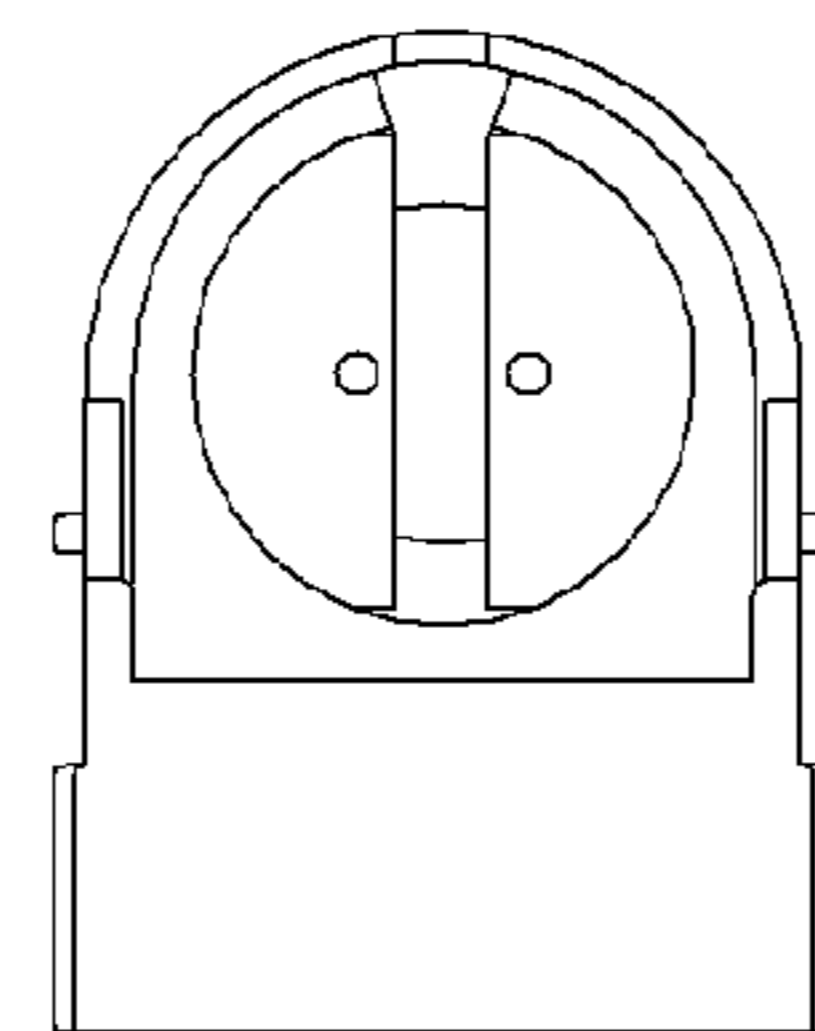


Fig. 6

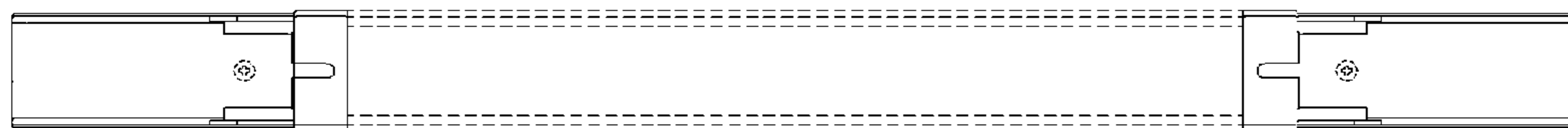


Fig. 7

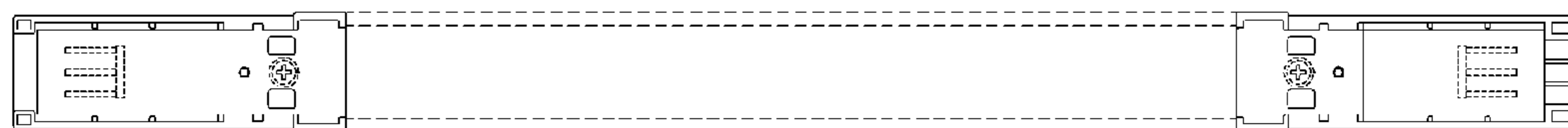


Fig. 8

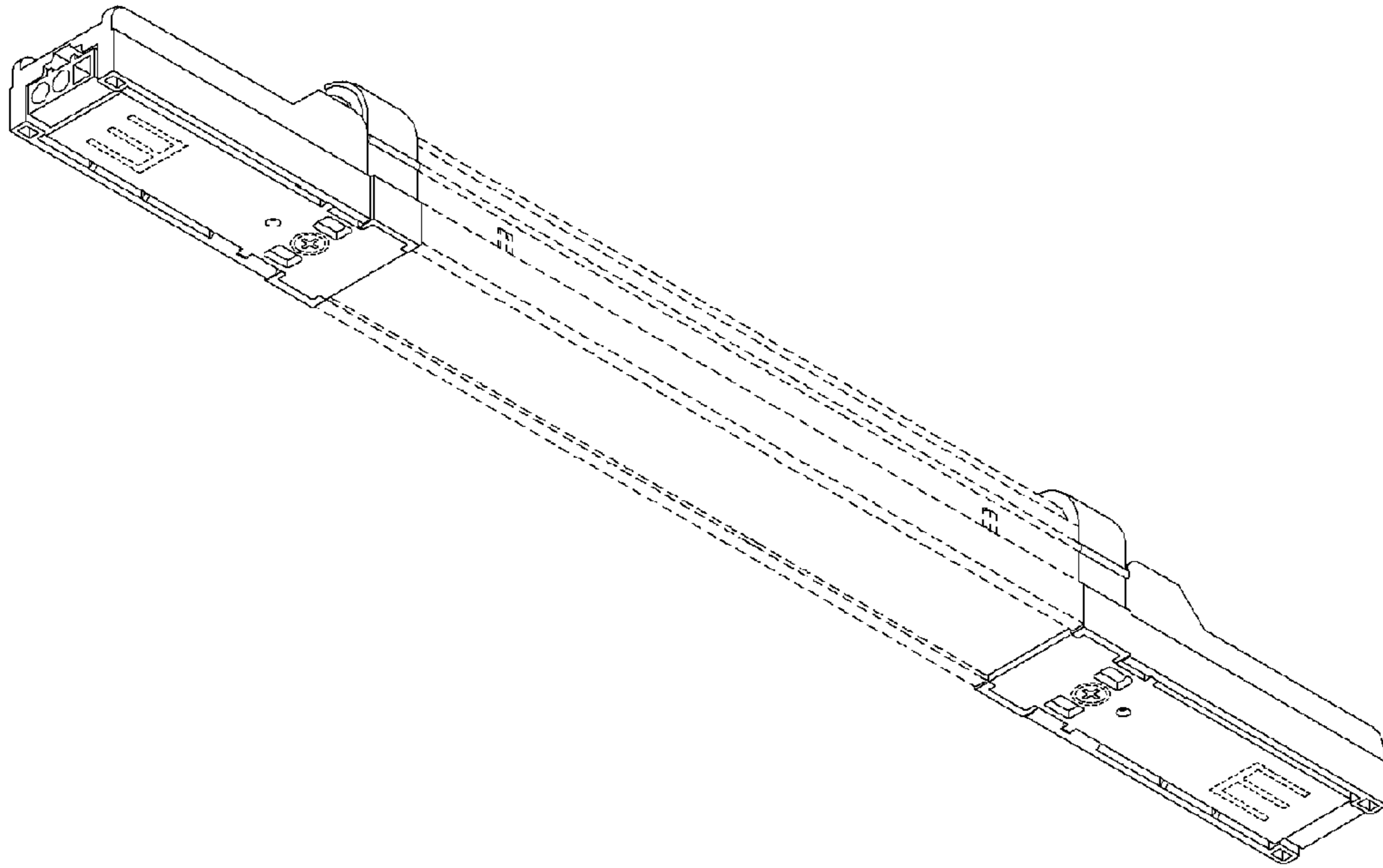


Fig. 9

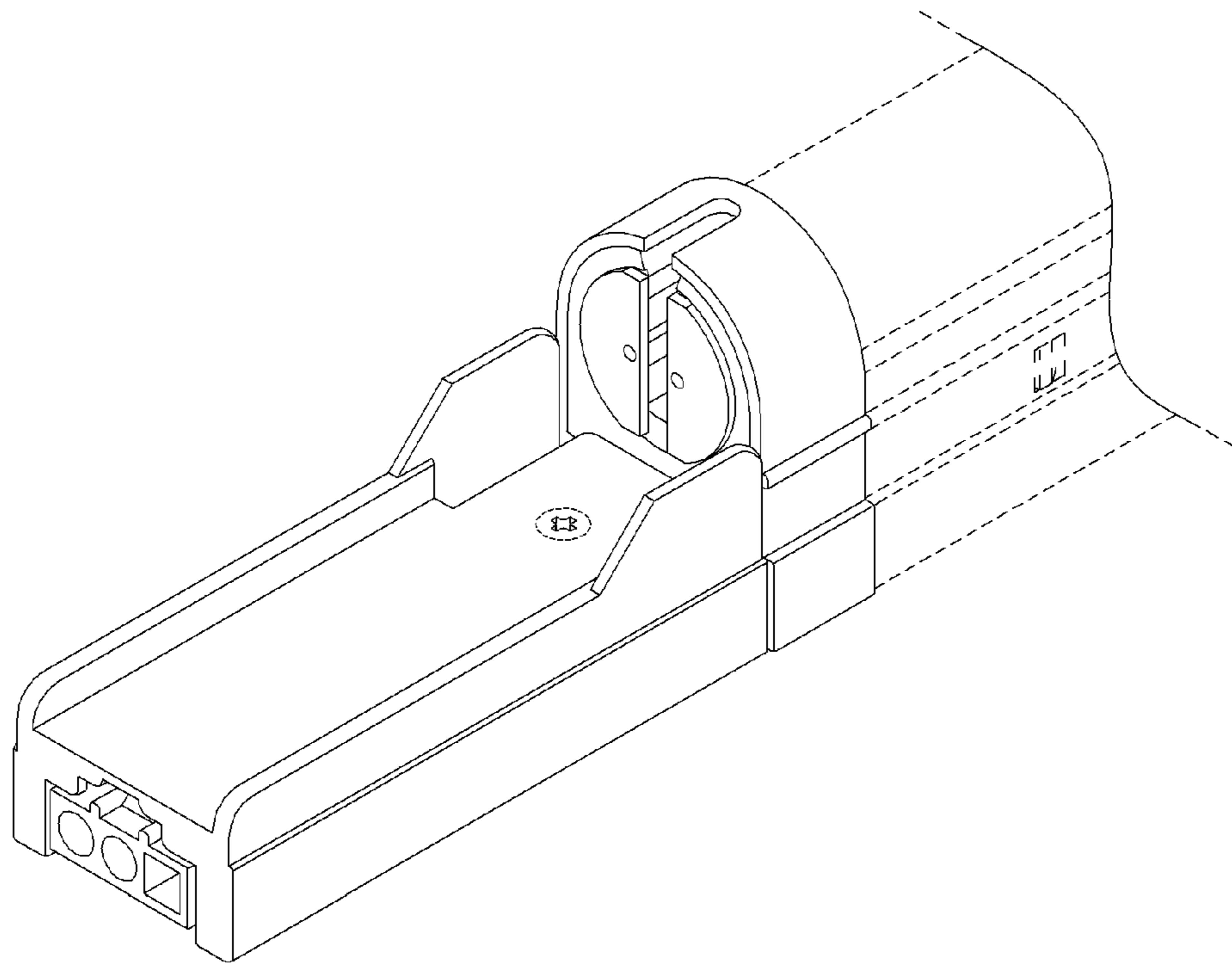


Fig. 10

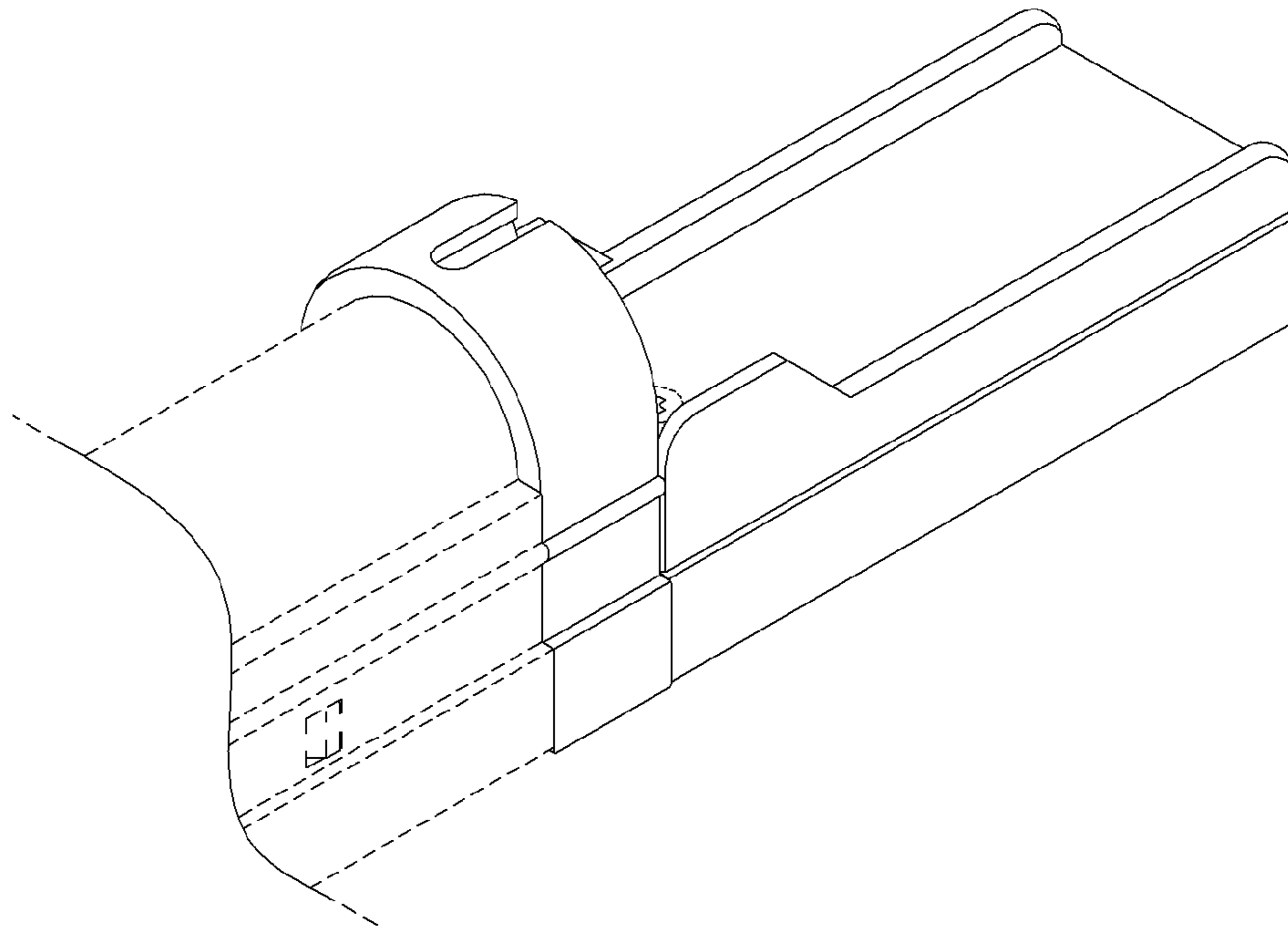


Fig. 11

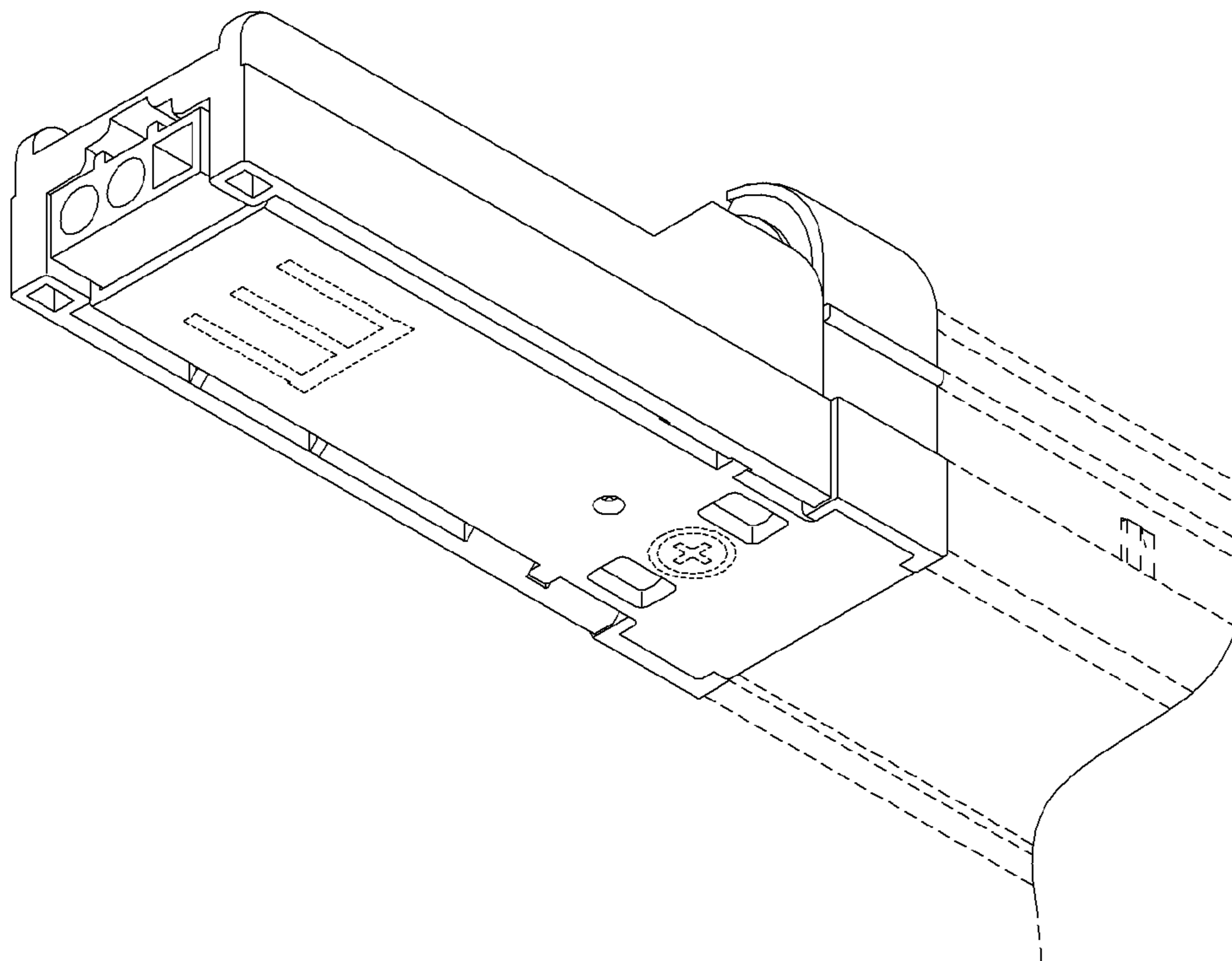


Fig. 12

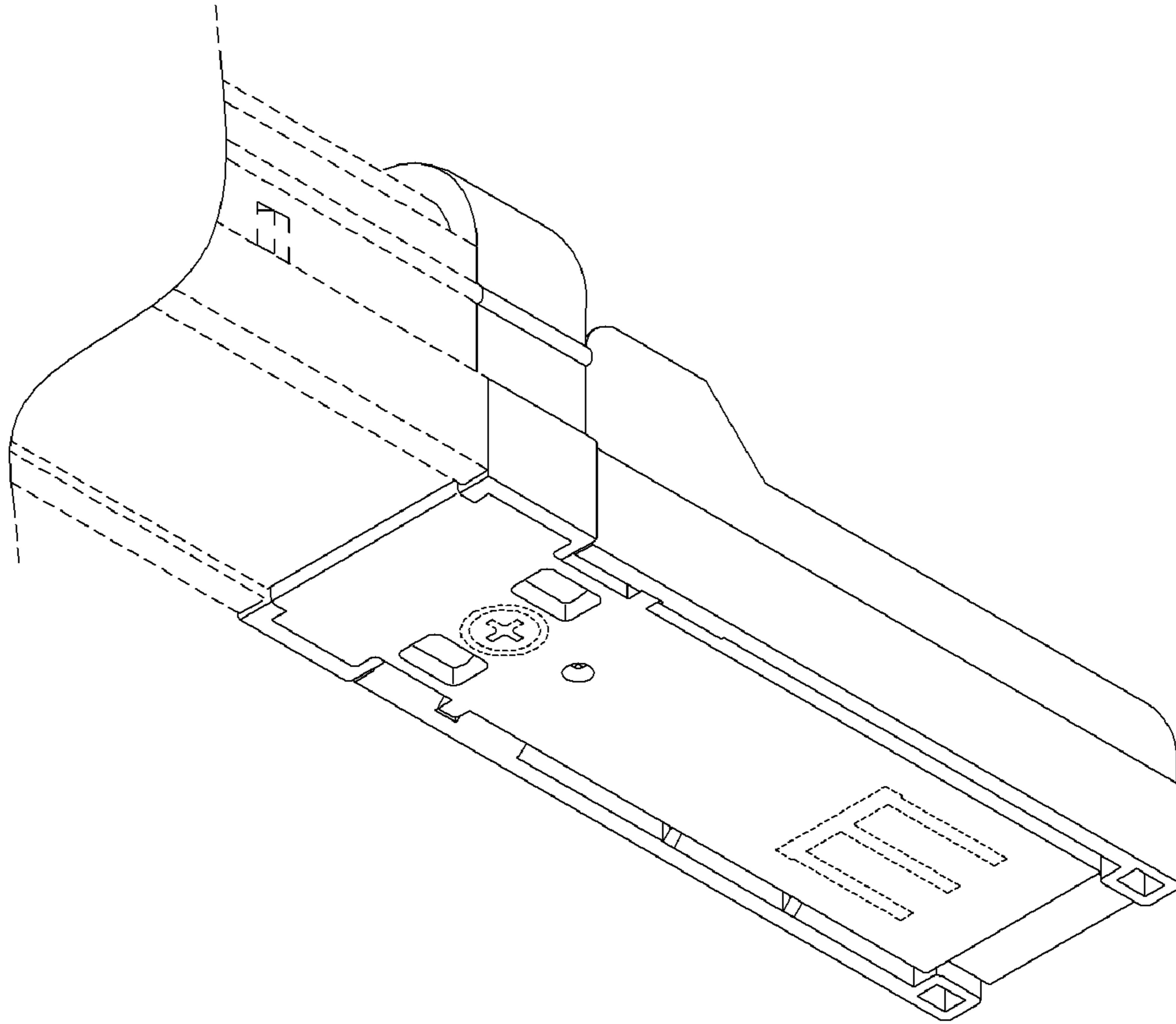


Fig. 13

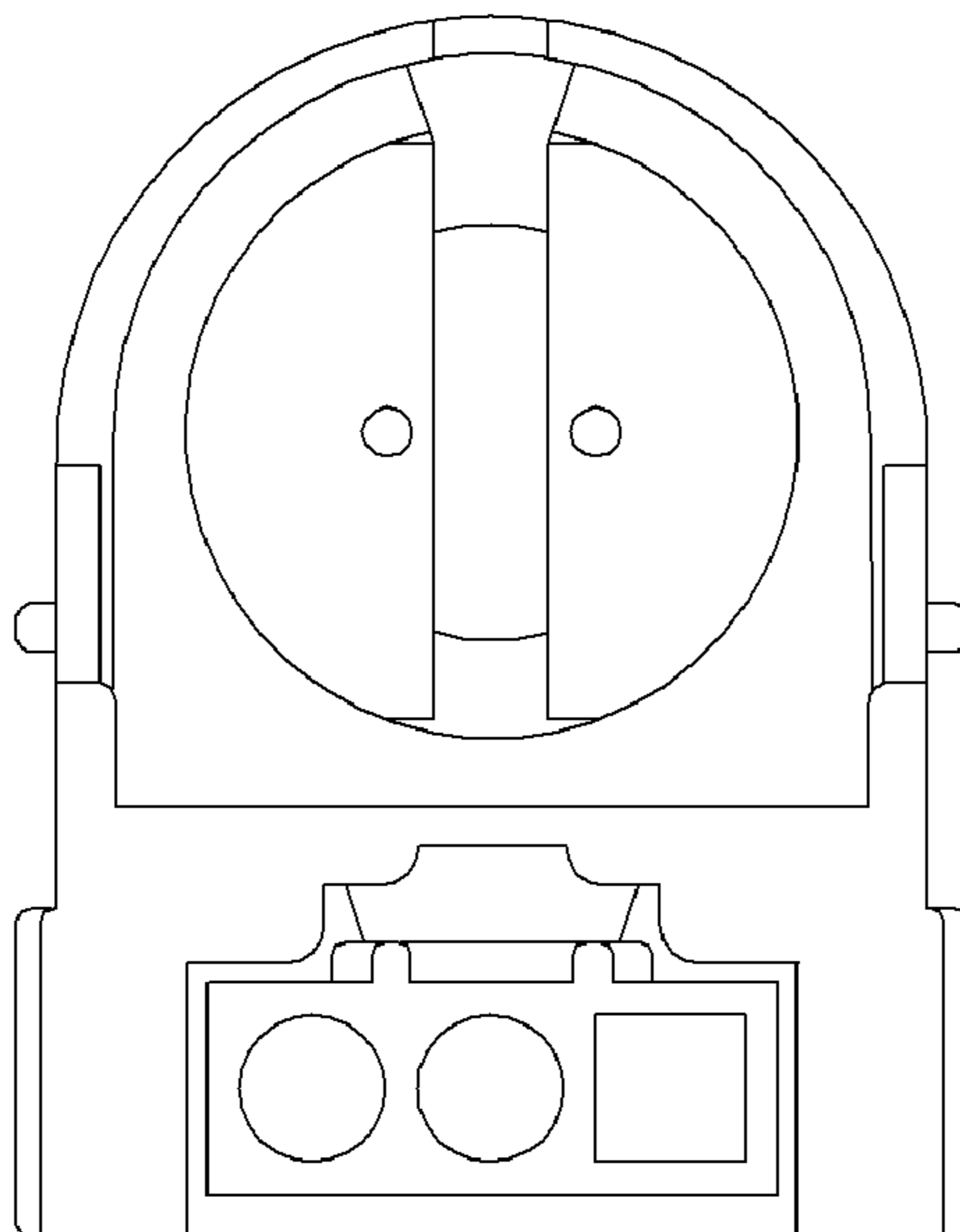


Fig. 14

