



US00D612532S

(12) **United States Design Patent**  
**Toft**

(10) **Patent No.:** **US D612,532 S**  
(45) **Date of Patent:** **\*\* Mar. 23, 2010**

(54) **HEAD FOR A LIGHTING FIXTURE WITH VENT HOLES**

(75) Inventor: **Uffe Kjaergaard Toft, Hojbjerg (DK)**

(73) Assignee: **Martin Professional A/S, Aarhus (DK)**

(\*\*) Term: **14 Years**

(21) Appl. No.: **29/321,147**

(22) Filed: **Jul. 11, 2008**

(30) **Foreign Application Priority Data**

Apr. 17, 2008 (EP) ..... E-00057072-R

(51) **LOC (9) Cl.** ..... **26-99**

(52) **U.S. Cl.** ..... **D26/138**

(58) **Field of Classification Search** ..... D13/136,  
D13/134; 439/242, 241, 239, 236, 232; 362/233,  
362/425, 371, 260, 217, 264, 321, 257, 282,  
362/606, 561, 580, 125, 126, 181, 277, 285,  
362/183, 649, 651, 657, 658, 659, 293, 294,  
362/319, 370, 421, 427; D26/135, 113, 118,  
D26/128, 37, 138, 63, 65, 2, 78, 3, 24, 26,  
D26/49, 59, 60, 61, 64, 72, 75, 79, 93, 129,  
D26/130, 132, 133, 134, 136, 137, 140, 141,  
D26/142, 152, 153, 40; 353/82, 31, 46, 49,  
353/98, 119, 71; 206/591; D16/221, 228,  
D16/230, 232, 231; 250/372

See application file for complete search history.

(56) **References Cited**

**U.S. PATENT DOCUMENTS**

D257,039 S \* 9/1980 Petrie ..... D14/239  
D264,344 S \* 5/1982 Miller et al. .... D16/221  
D321,527 S \* 11/1991 Kurozumi et al. .... D16/234  
D335,193 S \* 4/1993 Shaanan et al. .... D26/63

5,515,254 A \* 5/1996 Smith et al. .... 362/293  
5,882,107 A \* 3/1999 Bornhorst et al. .... 362/281  
D417,300 S \* 11/1999 Stacy et al. .... D26/63  
D439,356 S \* 3/2001 Martinson et al. .... D26/63  
D457,673 S \* 5/2002 Martinson et al. .... D26/63  
6,695,452 B2 \* 2/2004 Panasewicz et al. .... 353/119  
D492,436 S \* 6/2004 Smith et al. .... D26/63  
6,964,503 B2 \* 11/2005 Smith et al. .... 362/371  
D562,486 S \* 2/2008 Luke ..... D26/61  
2002/0159262 A1 \* 10/2002 Romano et al. .... 362/345  
2004/0070984 A1 \* 4/2004 Smith et al. .... 362/427

\* cited by examiner

*Primary Examiner*—Cathron C Brooks

*Assistant Examiner*—Kevin K Rudzinski

(74) *Attorney, Agent, or Firm*—Dykema Gossett PLLC

(57) **CLAIM**

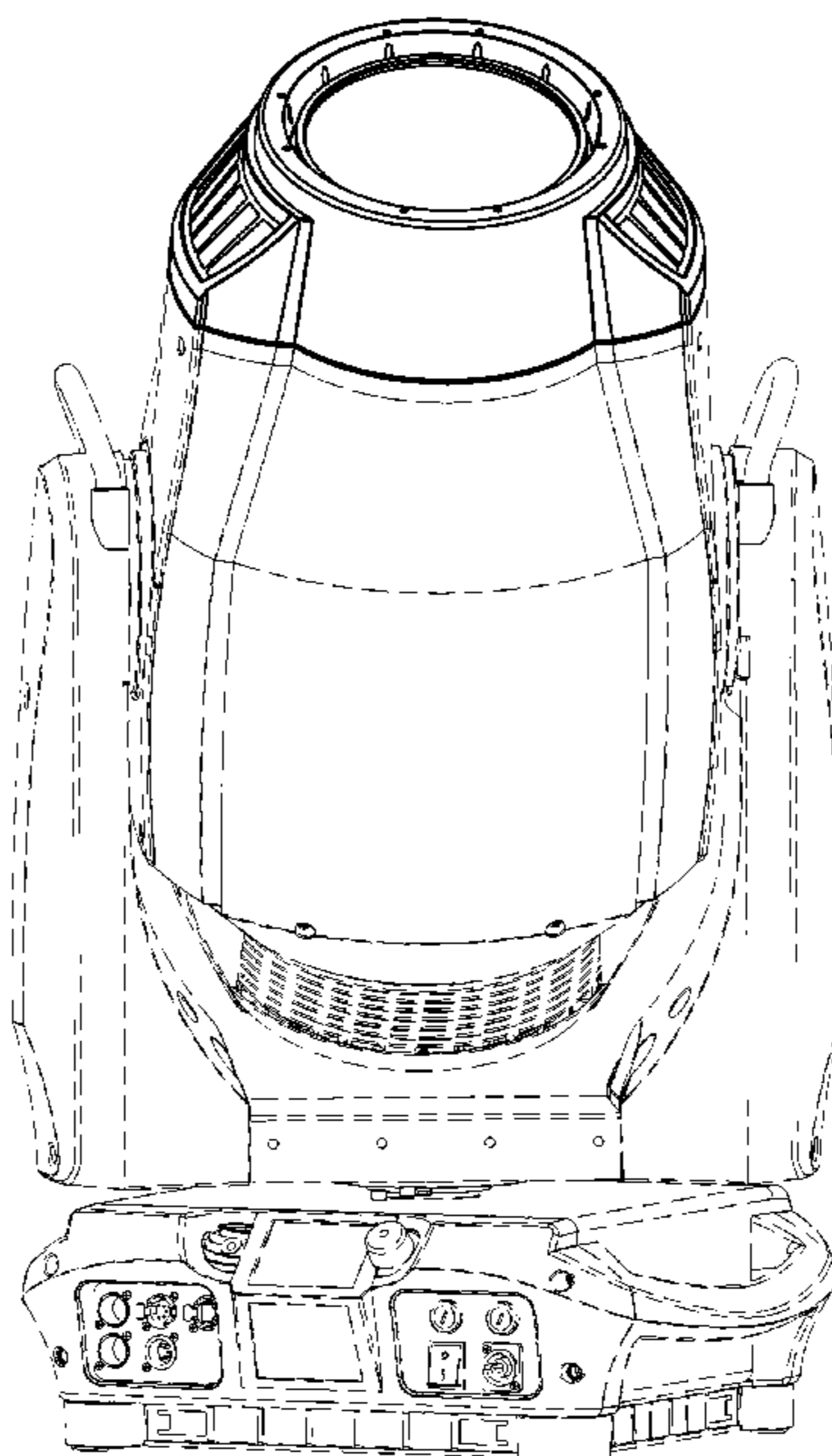
The ornamental design for a head for a lighting fixture with vent holes, as shown and described.

**DESCRIPTION**

FIG. 1 is a first perspective view of a head for a lighting fixture with vent holes showing my new design;  
FIG. 2 is a front elevational view thereof;  
FIG. 3 is a rear elevational view thereof;  
FIG. 4 is right side elevational view thereof;  
FIG. 5 is a left side elevational view thereof;  
FIG. 6 is a top plan view thereof;  
FIG. 7 is a bottom plan view thereof; and,  
FIG. 8 is a second perspective view thereof.

The broken lines showing the lighting fixture in FIG. 1 and the rear of the design in FIG. 3 are shown for illustrative purposes only and form no part of the claimed design.

**1 Claim, 8 Drawing Sheets**



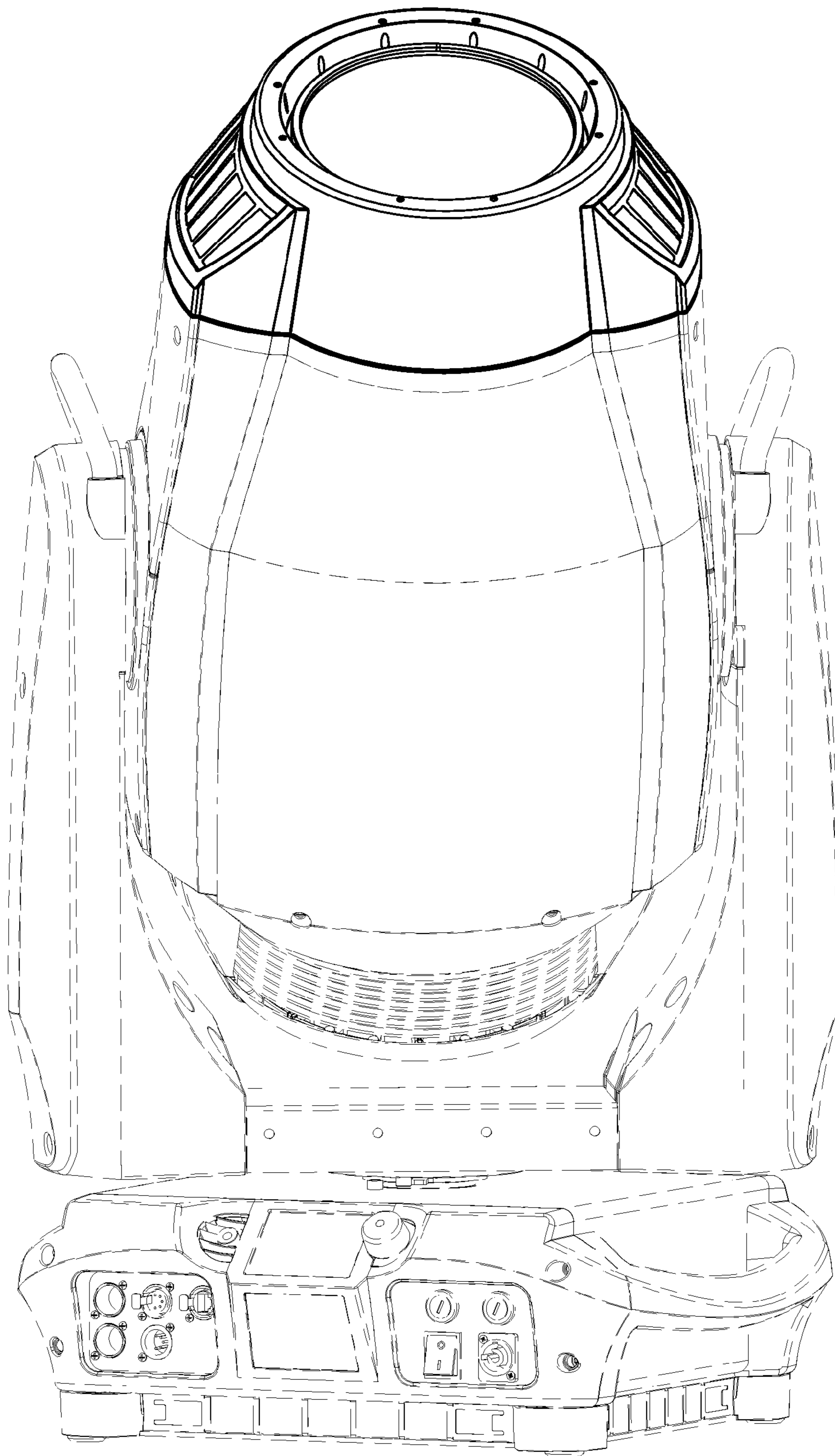


Fig. 1

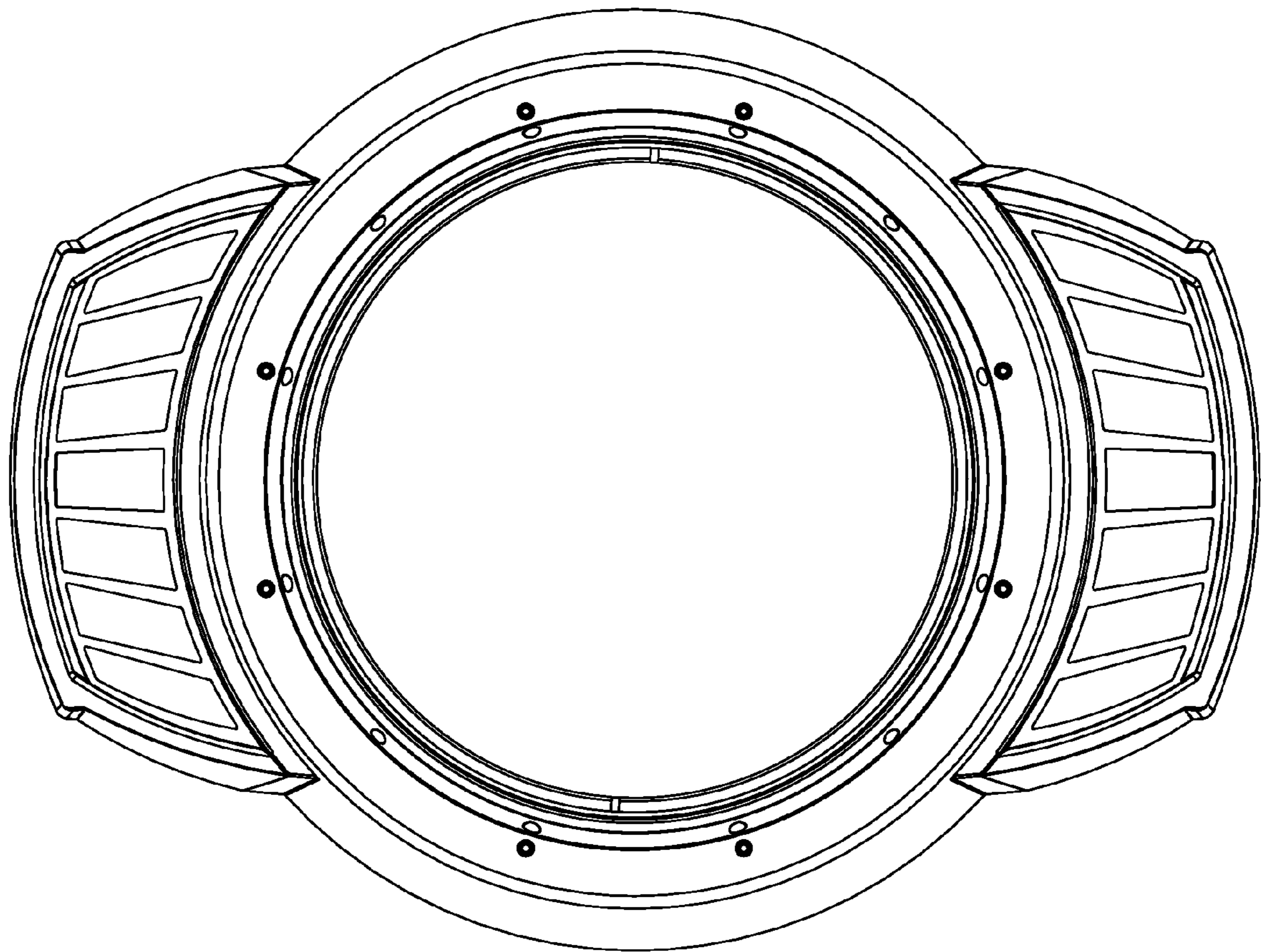


Fig. 2

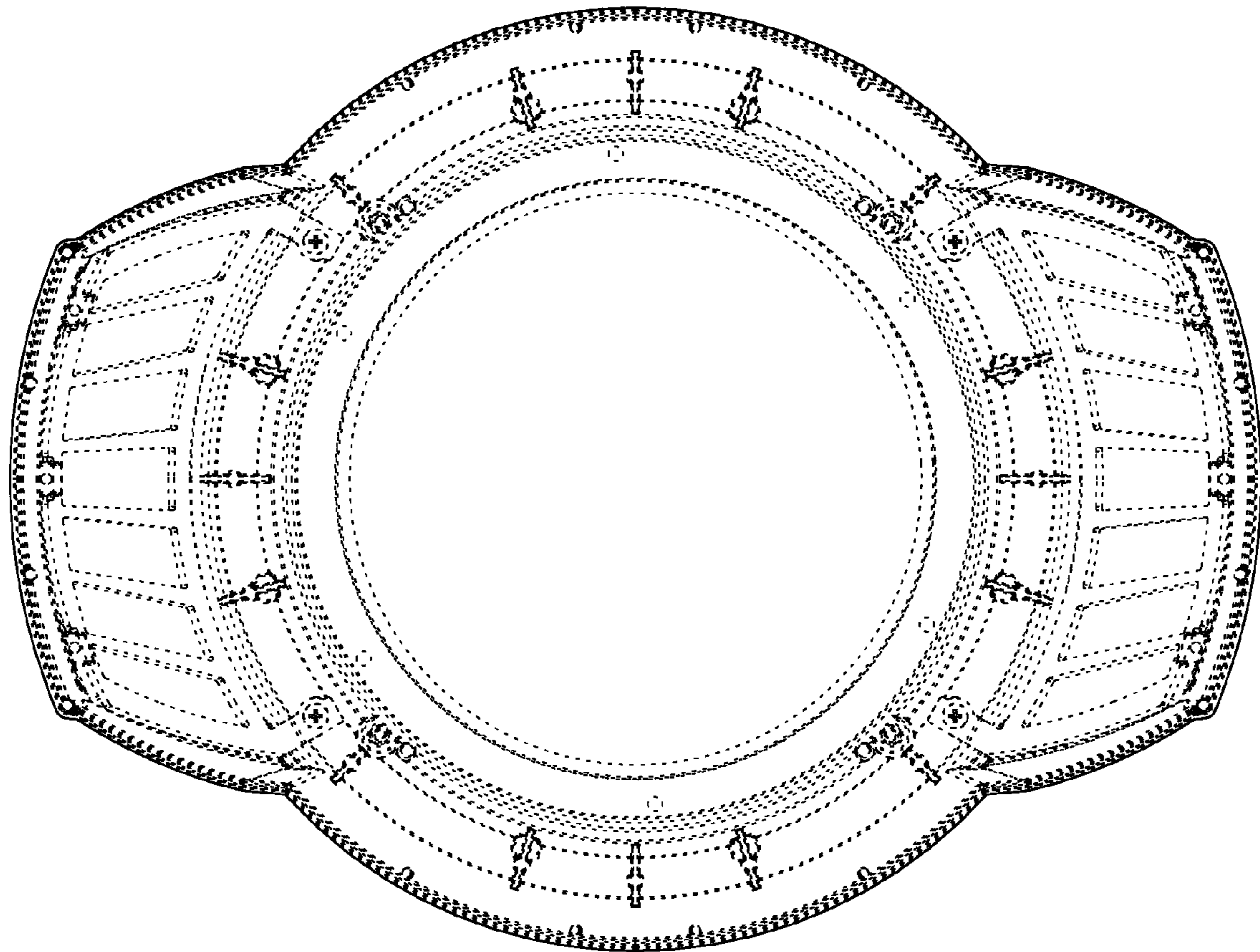


Fig. 3

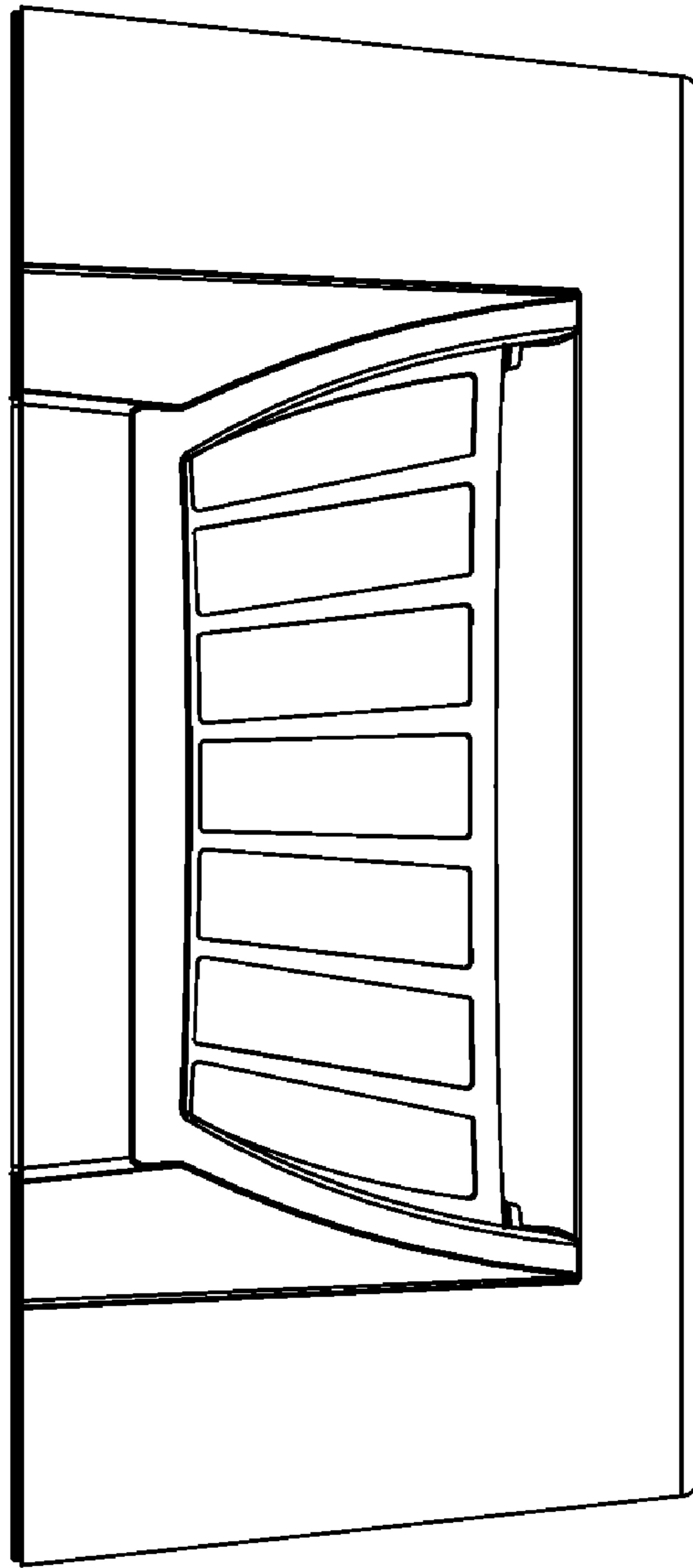


Fig. 4

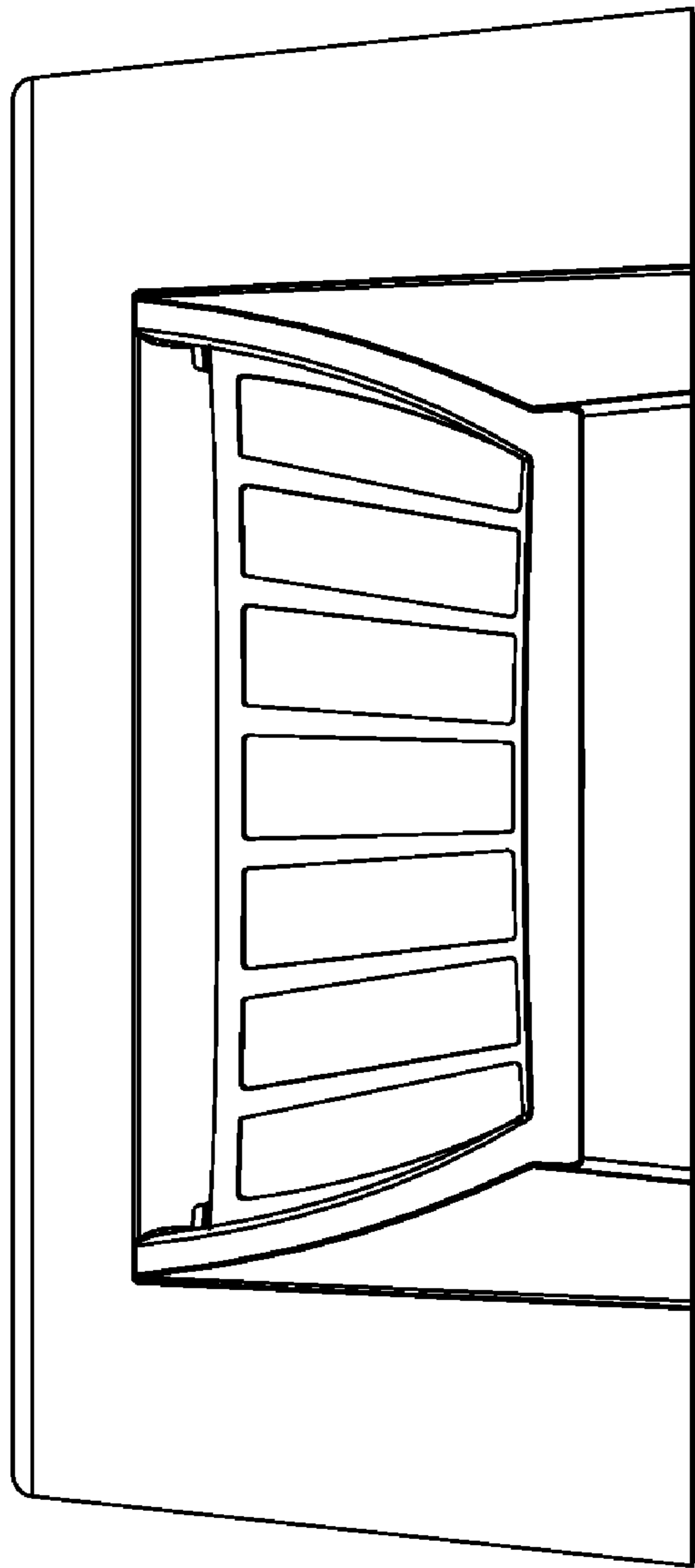


Fig. 5

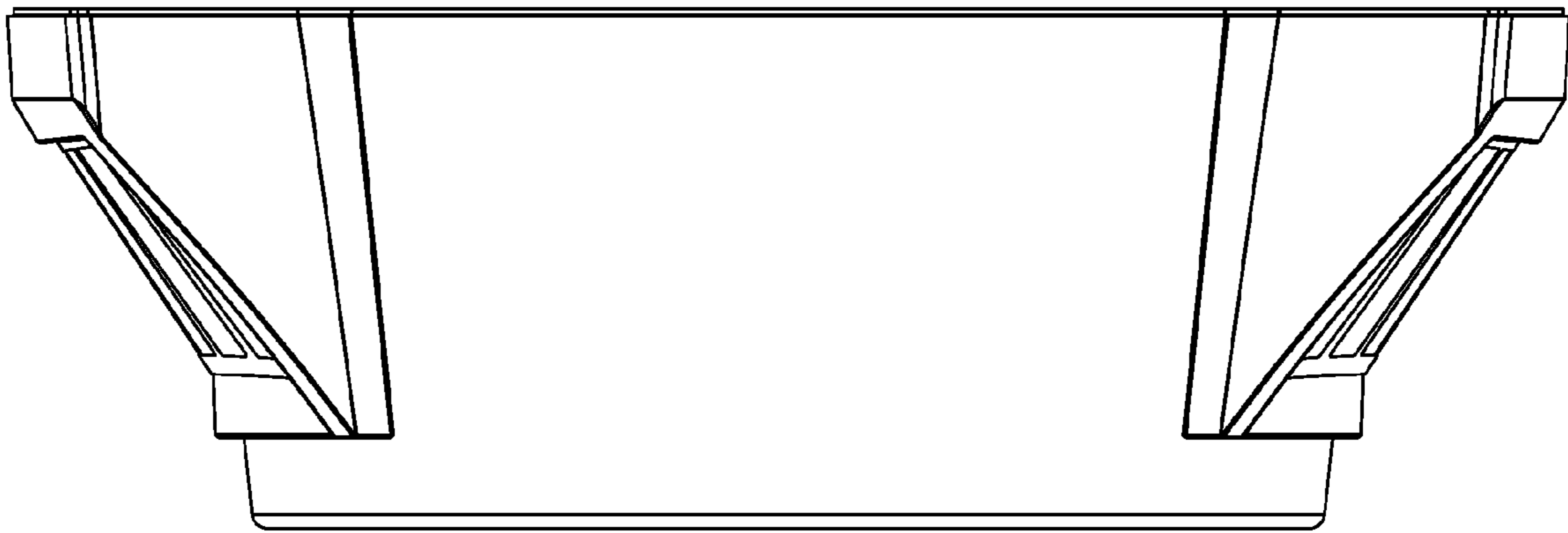


Fig. 6

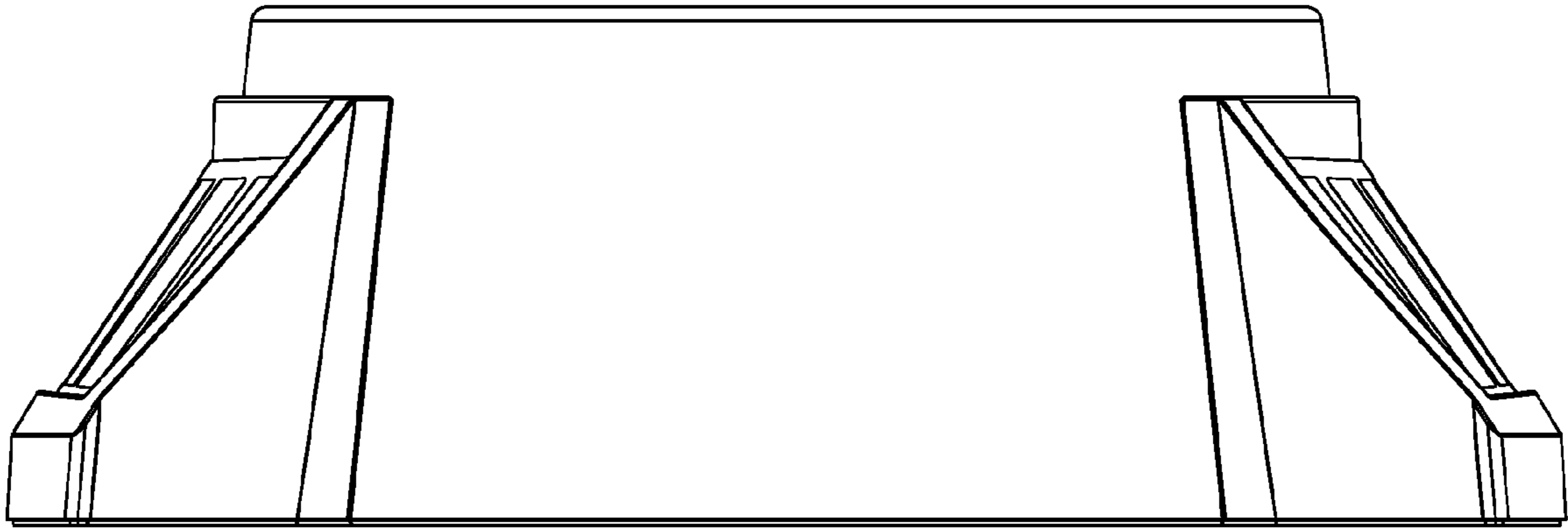


Fig. 7



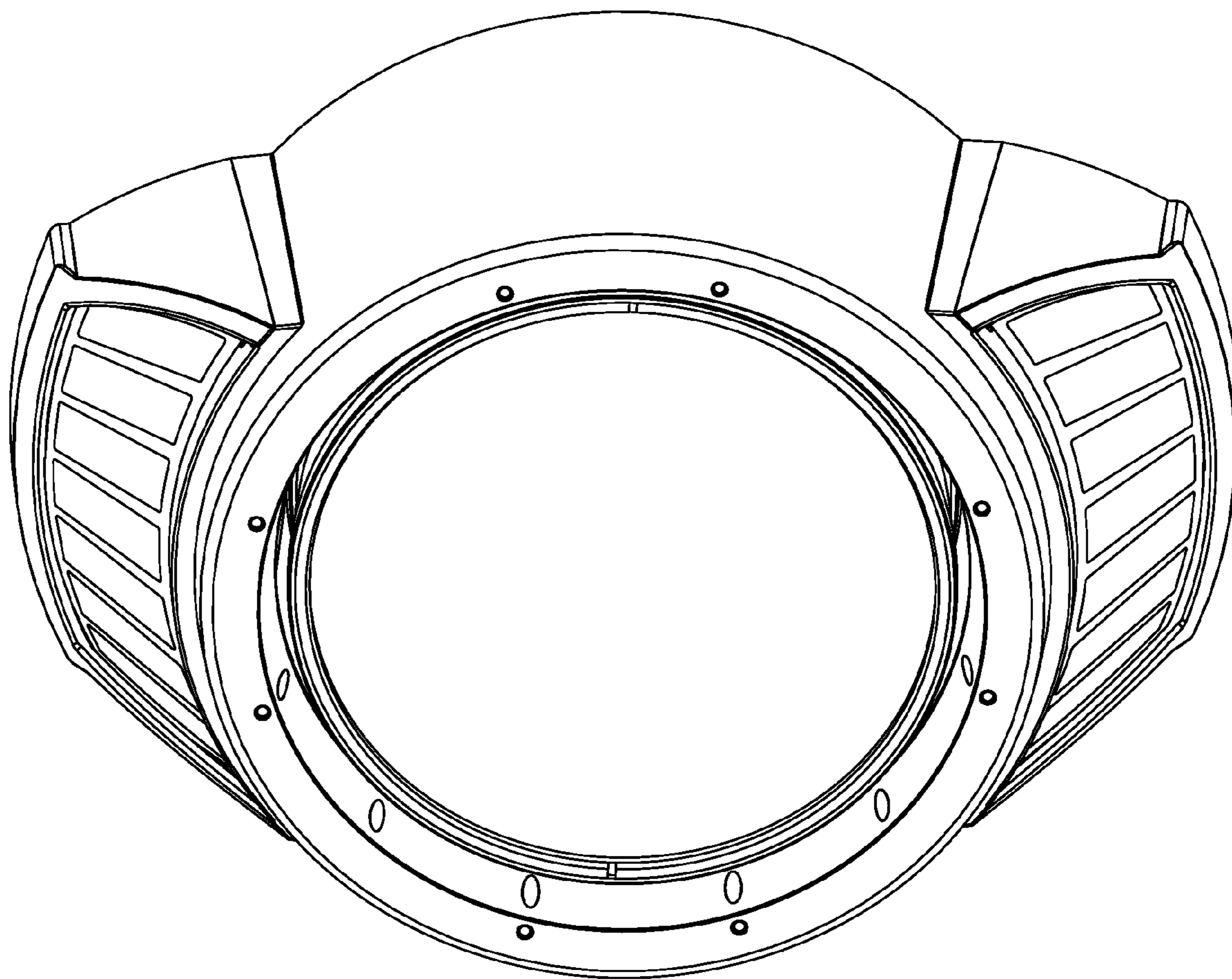


Fig. 8