



US00D612531S

(12) **United States Design Patent**  
**Smith**

(10) **Patent No.:** **US D612,531 S**  
(45) **Date of Patent:** **\*\* Mar. 23, 2010**

(54) **LIGHTING FIXTURE WITH HONEYCOMB DESIGN**

(75) Inventor: **Ryan Grey Smith**, Seattle, WA (US)

(73) Assignee: **3form, Inc.**, Salt Lake City, UT (US)

(\*\*) Term: **14 Years**

(21) Appl. No.: **29/341,521**

(22) Filed: **Aug. 6, 2009**

(51) **LOC (9) Cl.** ..... **12-99**

(52) **U.S. Cl.** ..... **D26/137**

(58) **Field of Classification Search** ..... D26/113,  
D26/63, 118, 93, 110, 138, 61, 24, 120, 40,  
D26/73, 2, 25, 37, 60, 81, 119, 122, 123,  
D26/128, 140, 141, 142; 362/33, 249.09,  
362/648, 101; D13/110, 134, 180; 439/121,  
439/239, 241

See application file for complete search history.

(56) **References Cited**

**U.S. PATENT DOCUMENTS**

D67,891 S *	7/1925	Klein	.....	D26/129
D139,758 S *	12/1944	Hoffman	.....	D26/119
D186,618 S *	11/1959	Haywood	.....	D26/110
2,979,606 A *	4/1961	Koehler	.....	362/291
D191,678 S *	10/1961	Kaufmann	.....	D26/131
D195,987 S *	8/1963	Hoffman et al.	.....	D26/61
3,211,906 A *	10/1965	Zucchi	.....	362/360
3,780,287 A *	12/1973	Fauri	.....	362/352
D240,071 S *	5/1976	Lindquist	.....	D26/84
D262,743 S *	1/1982	Jones	.....	D26/80
D274,475 S *	6/1984	Caldwell	.....	D26/110
D274,478 S *	6/1984	Caldwell	.....	D26/110
D309,993 S *	8/1990	Miklos	.....	D6/495
5,667,295 A *	9/1997	Tsui	.....	362/249.15

D435,134 S *	12/2000	Minissi et al.	.....	D26/85
D456,550 S *	4/2002	Clodagh	.....	D26/85
D459,014 S *	6/2002	Chen	.....	D26/85
6,550,936 B2 *	4/2003	Foley	.....	362/268
D499,829 S *	12/2004	Curtin	.....	D26/67
D501,059 S *	1/2005	Curtin	.....	D26/85
D515,247 S *	2/2006	Jung et al.	.....	D30/127
D525,739 S *	7/2006	Wu	.....	D26/93
D532,147 S *	11/2006	Crosby	.....	D26/118
D544,636 S *	6/2007	McMinn	.....	D26/118
D547,483 S *	7/2007	Pickett	.....	D26/89
D585,582 S *	1/2009	Campbell	.....	D26/88
D586,496 S *	2/2009	Flindt	.....	D26/118
D596,783 S *	7/2009	Silver	.....	D26/90

\* cited by examiner

*Primary Examiner*—Cathron C Brooks  
*Assistant Examiner*—Kevin K Rudzinski  
(74) *Attorney, Agent, or Firm*—Workman Nydegger

(57) **CLAIM**

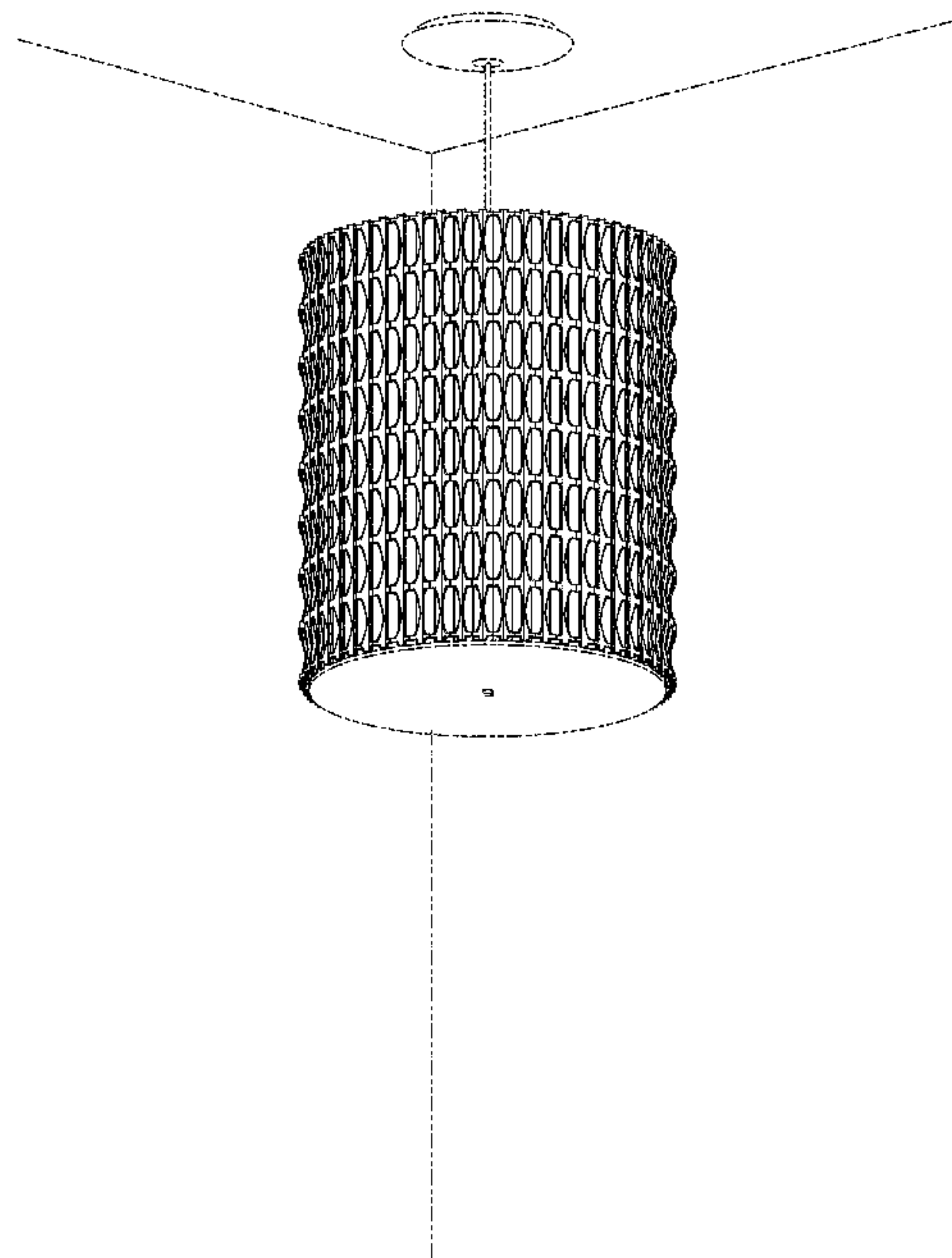
The ornamental design for a lighting fixture with honeycomb design, as shown and described.

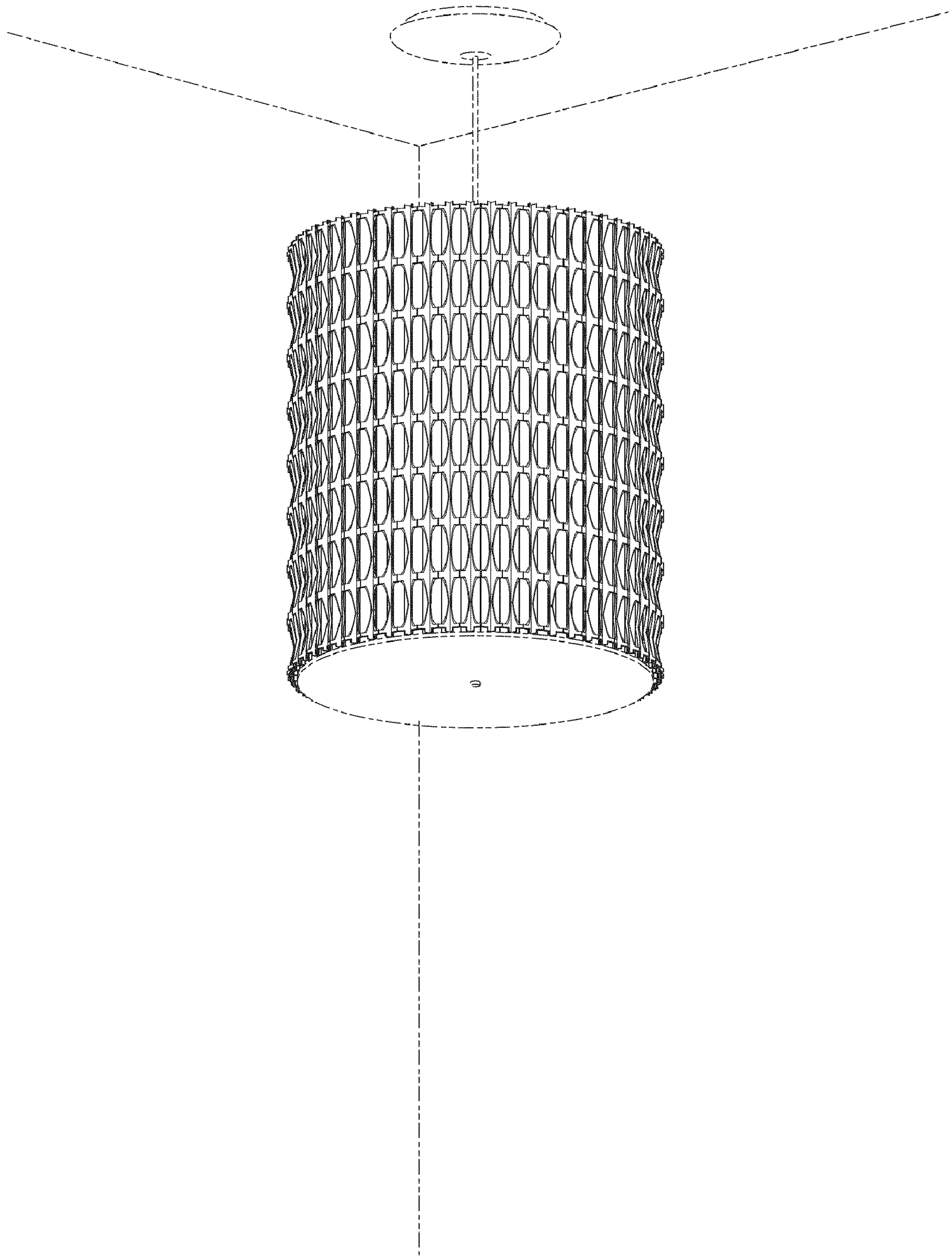
**DESCRIPTION**

FIG. 1 is a bottom perspective view of a lighting fixture with honeycomb design;  
FIG. 2 is an enlarged bottom perspective view thereof;  
FIG. 3 is a front elevational view thereof, the rear and side elevational views being identical thereto;  
FIG. 4 is a top plan view thereof; and,  
FIG. 5 is a bottom plan view thereof.

The broken lines included in the drawings are for illustrative purposes and form no part of the claimed design.

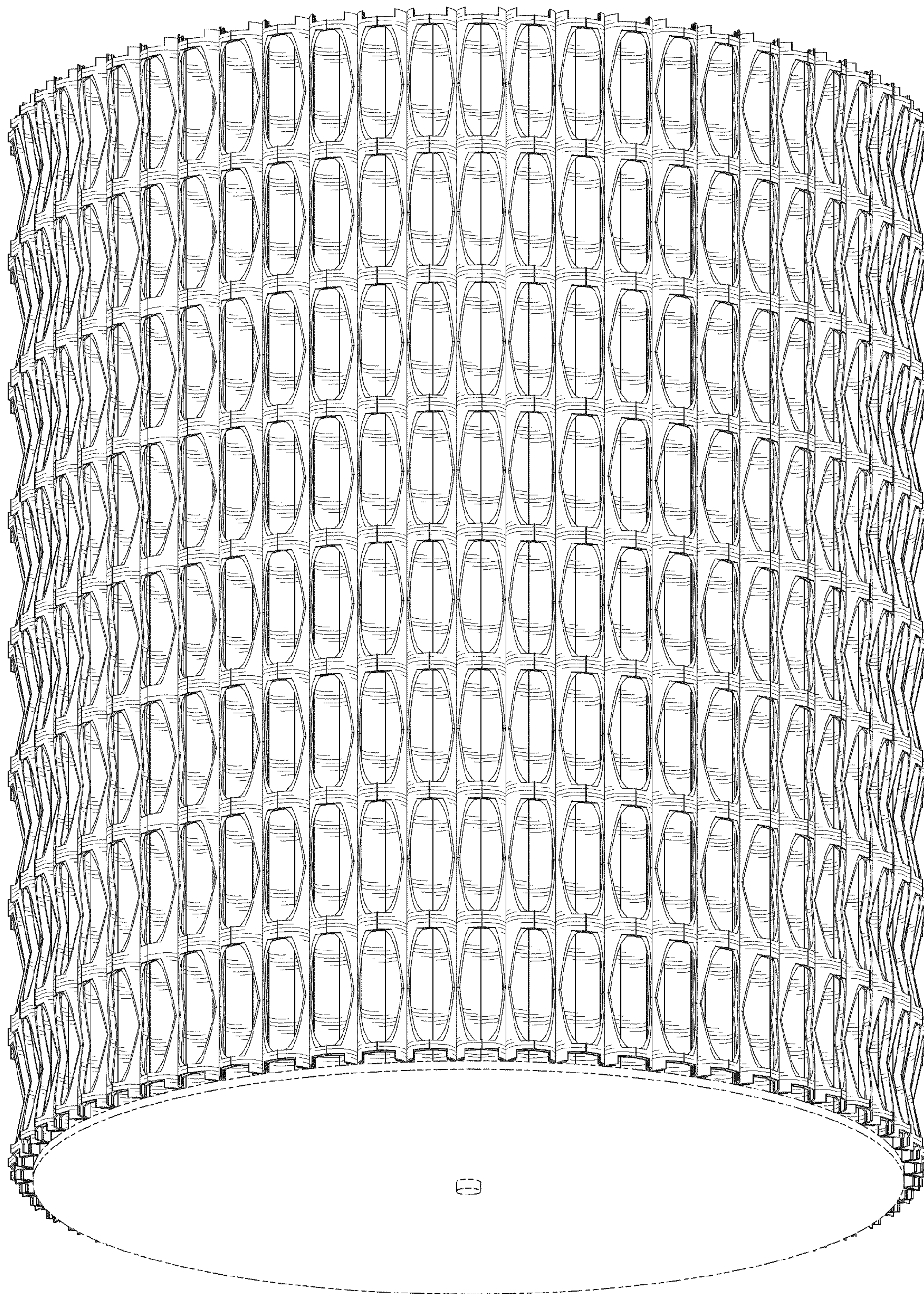
**1 Claim, 5 Drawing Sheets**





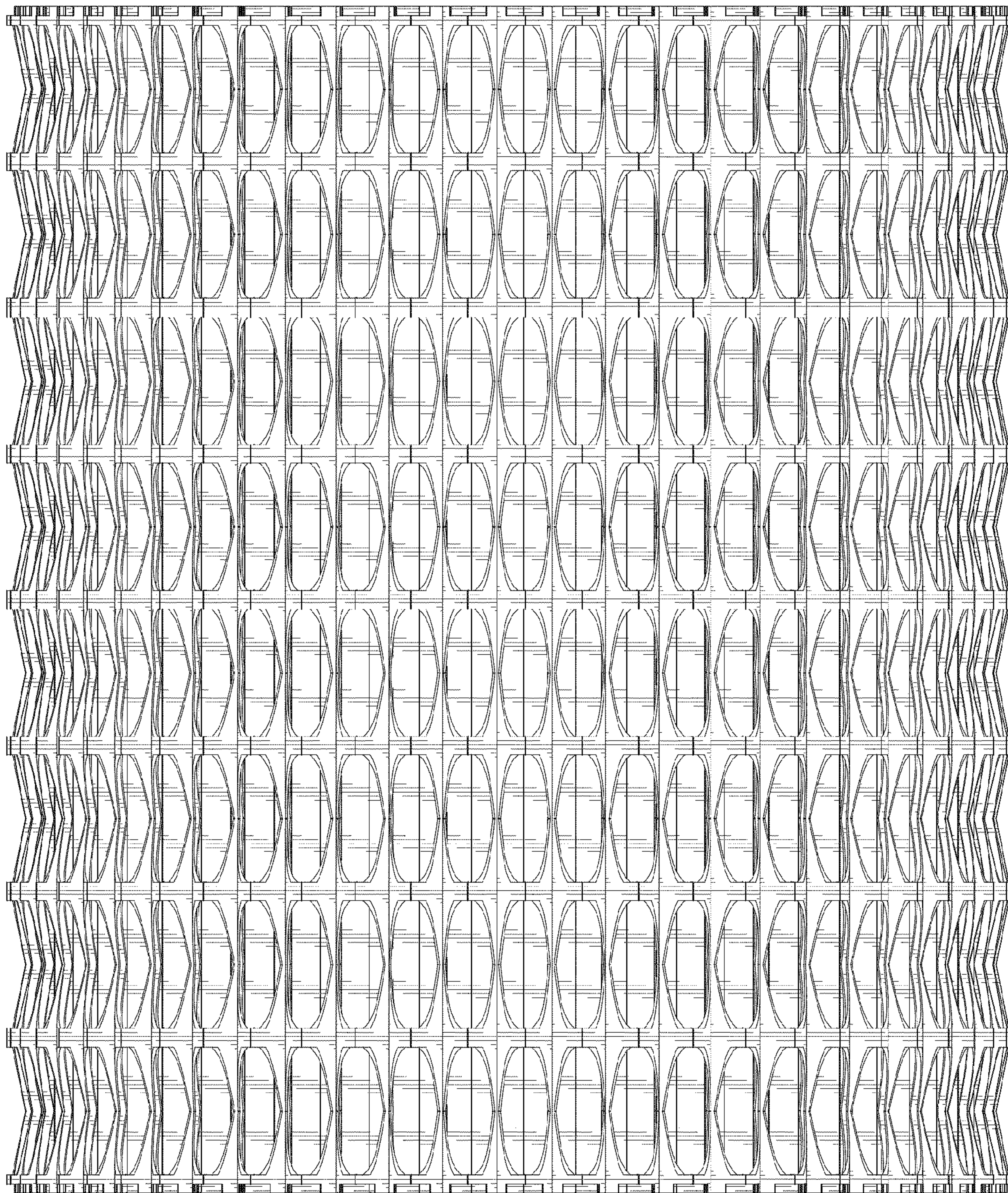
**FIG. 1**





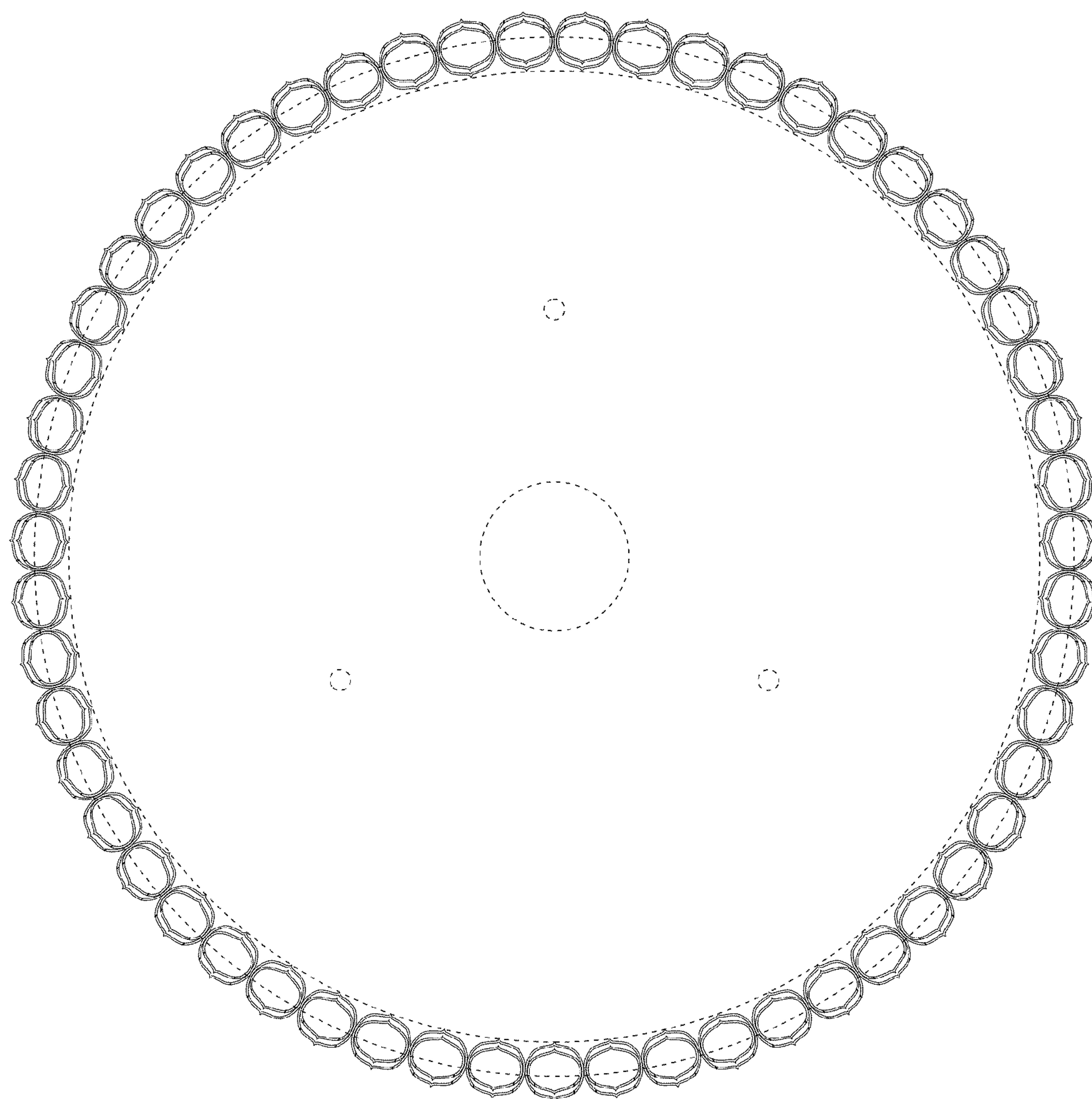
**FIG. 2**



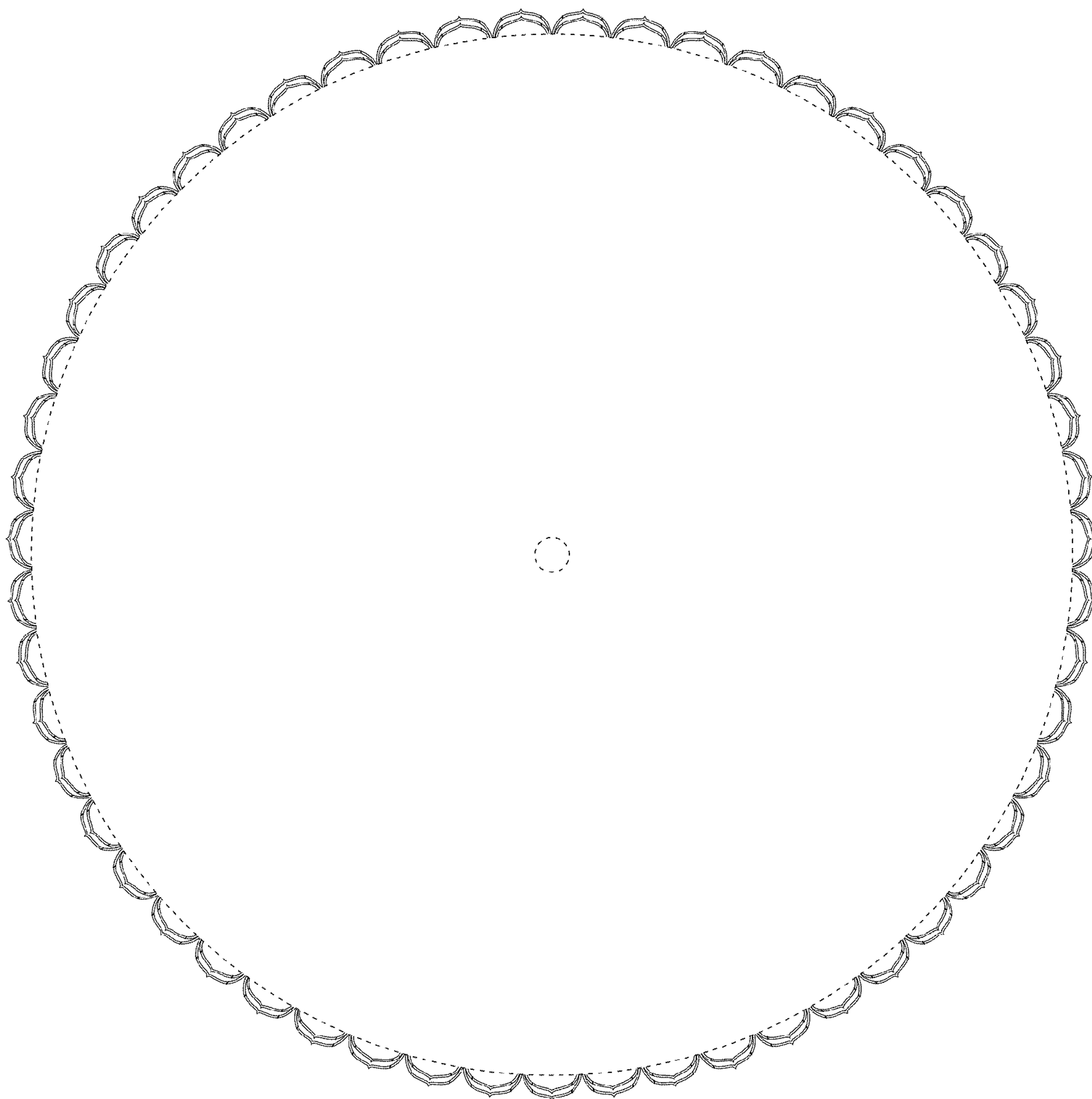


**FIG. 3**





**FIG. 4**



**FIG. 5**