



US00D612530S

(12) **United States Design Patent**
Leung

(10) **Patent No.:** **US D612,530 S**

(45) **Date of Patent:** **** *Mar. 23, 2010**

(54) **BASE FOR A FLUORESCENT LAMP**

(75) Inventor: **James C. P. Leung**, Hong Kong (CN)

(73) Assignee: **The Coleman Company, Inc.**, Wichita, KS (US)

(*) Notice: This patent is subject to a terminal disclaimer.

(**) Term: **14 Years**

(21) Appl. No.: **29/280,144**

(22) Filed: **May 17, 2007**

(51) **LOC (9) Cl.** **26-99**

(52) **U.S. Cl.** **D26/113**

(58) **Field of Classification Search** D26/118,
D26/76, 120, 121, 77, 141, 128, 78, 3, 88,
D26/85, 87, 65, 67, 68, 81, 84, 155, 145,
D26/142, 113, 138, 57, 72, 73, 75, 82, 89,
D26/92, 109, 108, 119, 143, 152; D11/90;
D25/124; D13/135, 134; 362/298, 555,
362/576, 581, 147, 151, 153, 217, 219, 235,
362/241, 279, 290, 297, 325, 404, 405, 410,
362/800

See application file for complete search history.

(56) **References Cited**

U.S. PATENT DOCUMENTS

D275,948 S * 10/1984 Vakil D13/135
D283,504 S * 4/1986 Leis D13/135
4,598,341 A * 7/1986 Brackhahn et al. 362/125
D301,758 S * 6/1989 Sapper D26/85
D486,933 S 2/2004 Leung et al.
D486,934 S 2/2004 Leung et al.

D487,809 S 3/2004 Leung et al.
D498,015 S 11/2004 Leung et al.
D498,311 S 11/2004 Leung et al.
D498,312 S 11/2004 Leung et al.
D498,547 S 11/2004 Leung et al.
D512,523 S * 12/2005 Leung et al. D26/3
7,033,065 B2 4/2006 Leung et al.
D532,533 S * 11/2006 Leung D26/3
D539,446 S 3/2007 Leung
D539,447 S * 3/2007 Leung D26/3
D543,290 S 5/2007 Leung et al.

* cited by examiner

Primary Examiner—Freda S. Nunn

Assistant Examiner—Kevin K Rudzinski

(74) *Attorney, Agent, or Firm*—The Coleman Company, Inc.;
Kelly S. Elsea

(57) **CLAIM**

The ornamental design for a base for a fluorescent lamp, as shown and described.

DESCRIPTION

FIG. 1 is a top, side perspective view of my new lamp;

FIG. 2 is a front elevation view thereof;

FIG. 3 is a rear elevation view thereof;

FIG. 4 is a right side elevation view thereof;

FIG. 5 is a left side elevation view thereof;

FIG. 6 is a top plan view thereof;

FIG. 7 is a bottom plan view thereof; and,

FIG. 8 is a bottom, side perspective view thereof.

The broken line showing is for illustrative purposes only and forms no part of the claimed design.

1 Claim, 2 Drawing Sheets

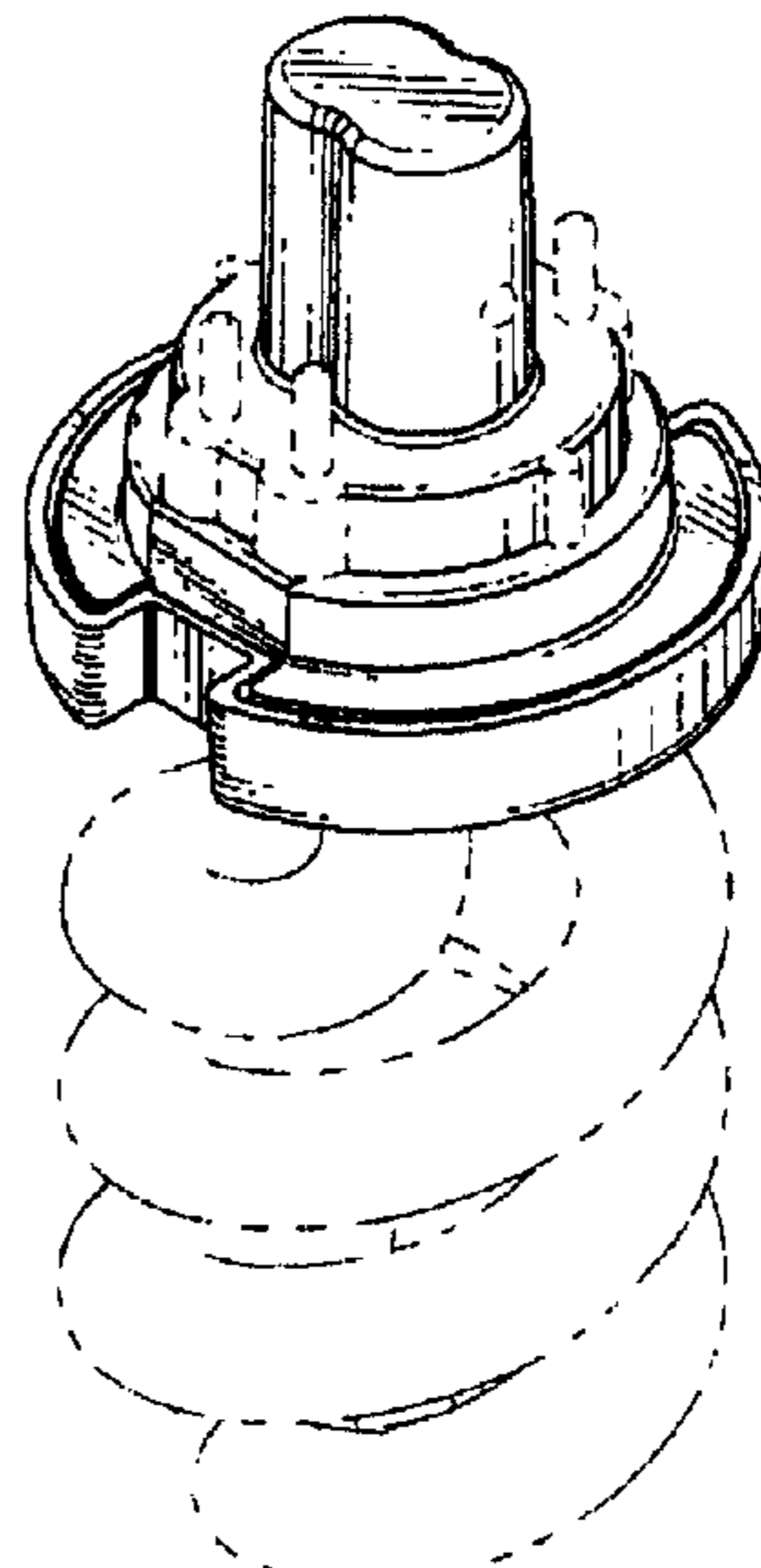
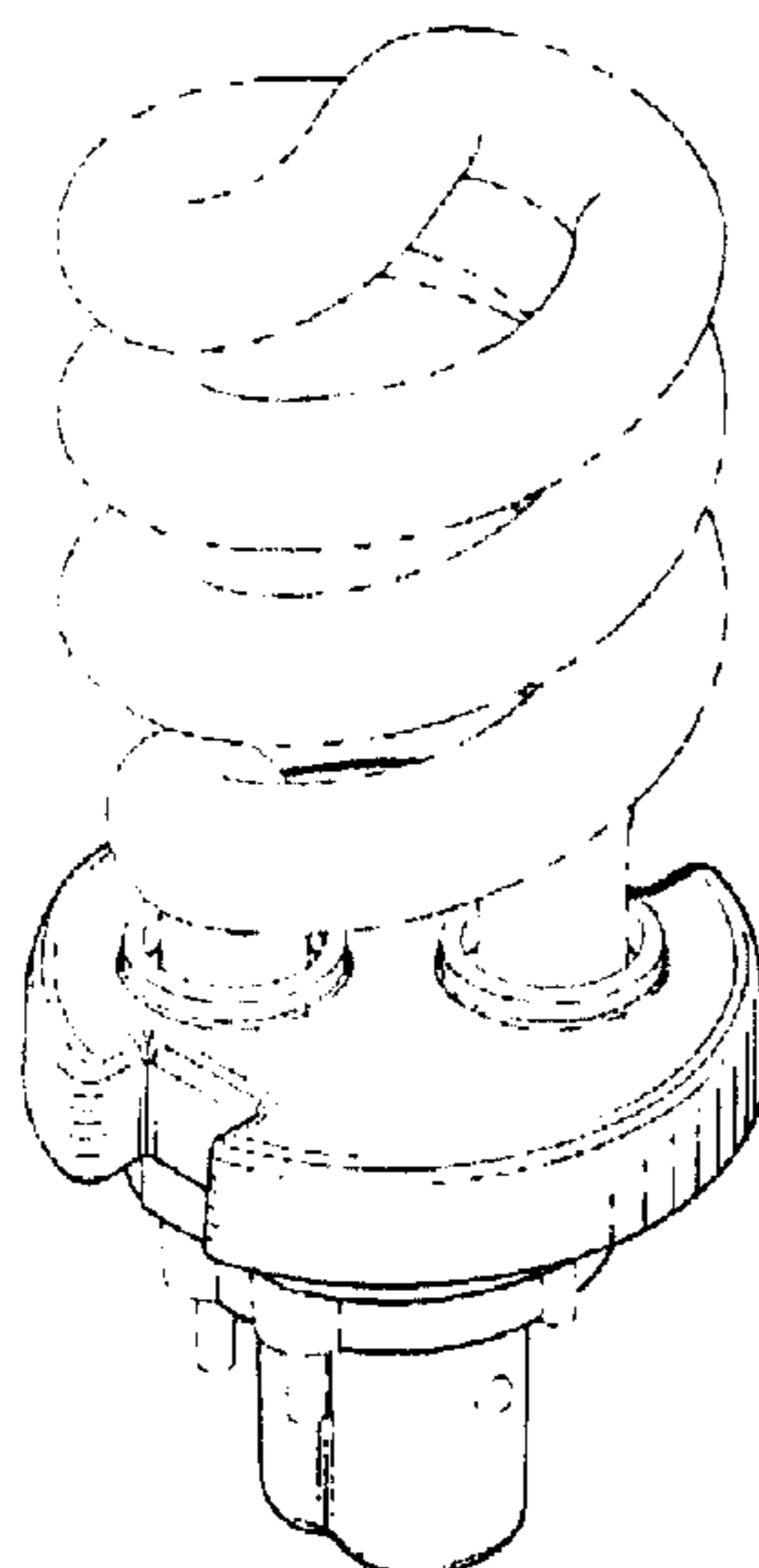


FIG. 1

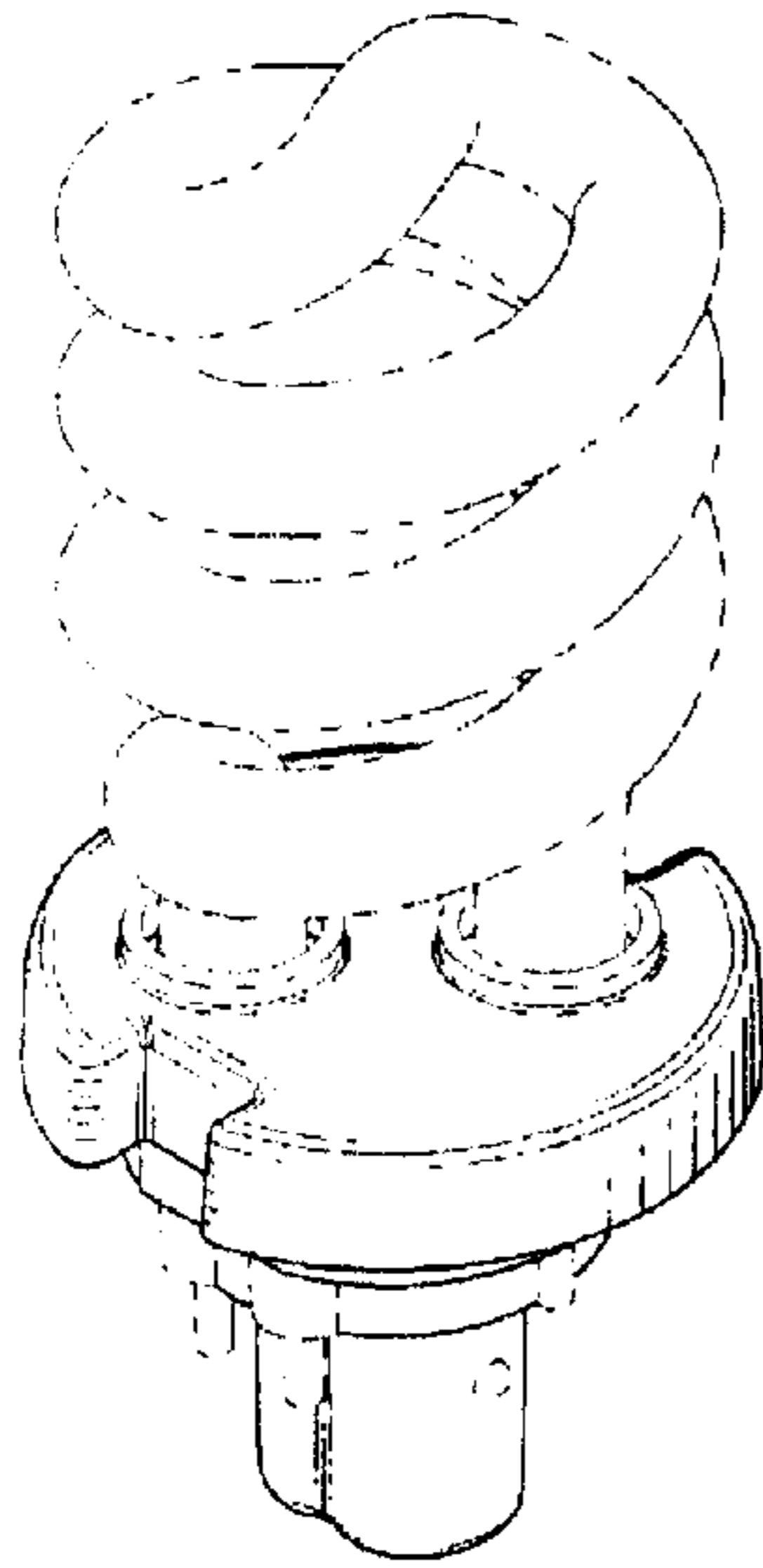


FIG. 2

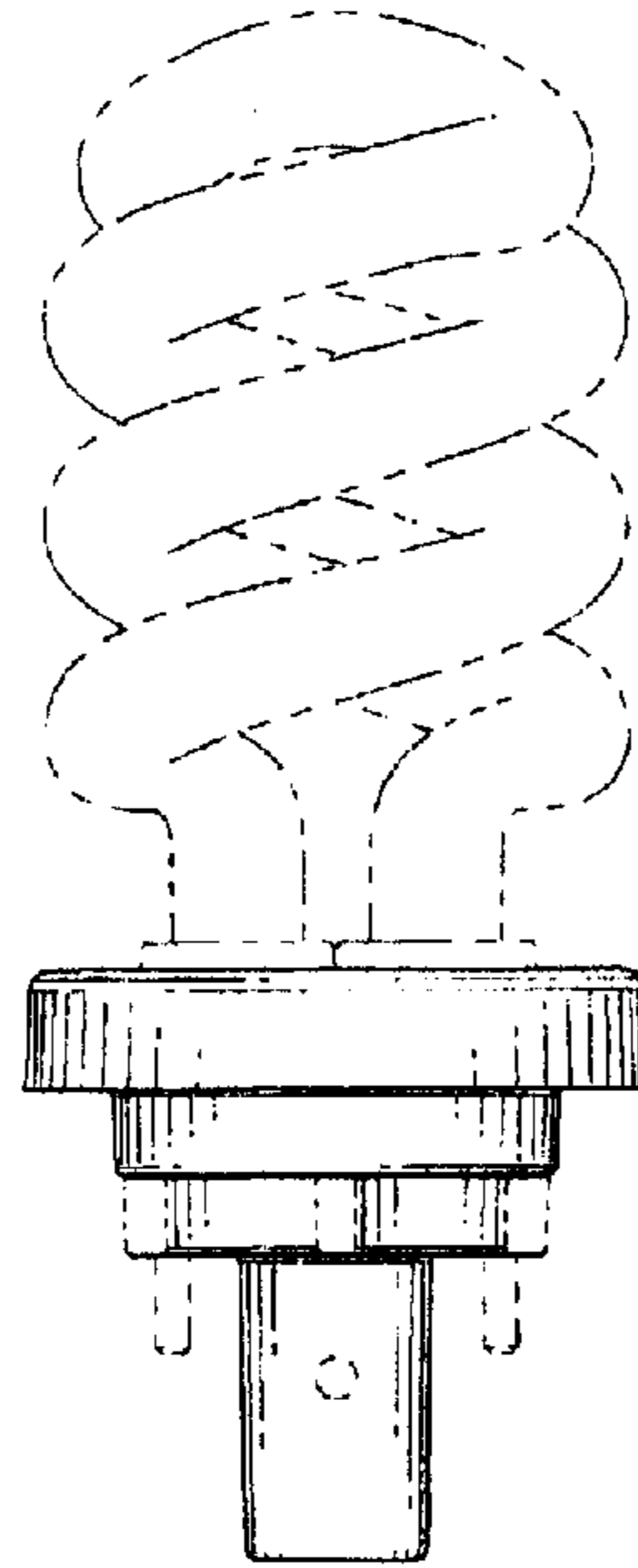


FIG. 3

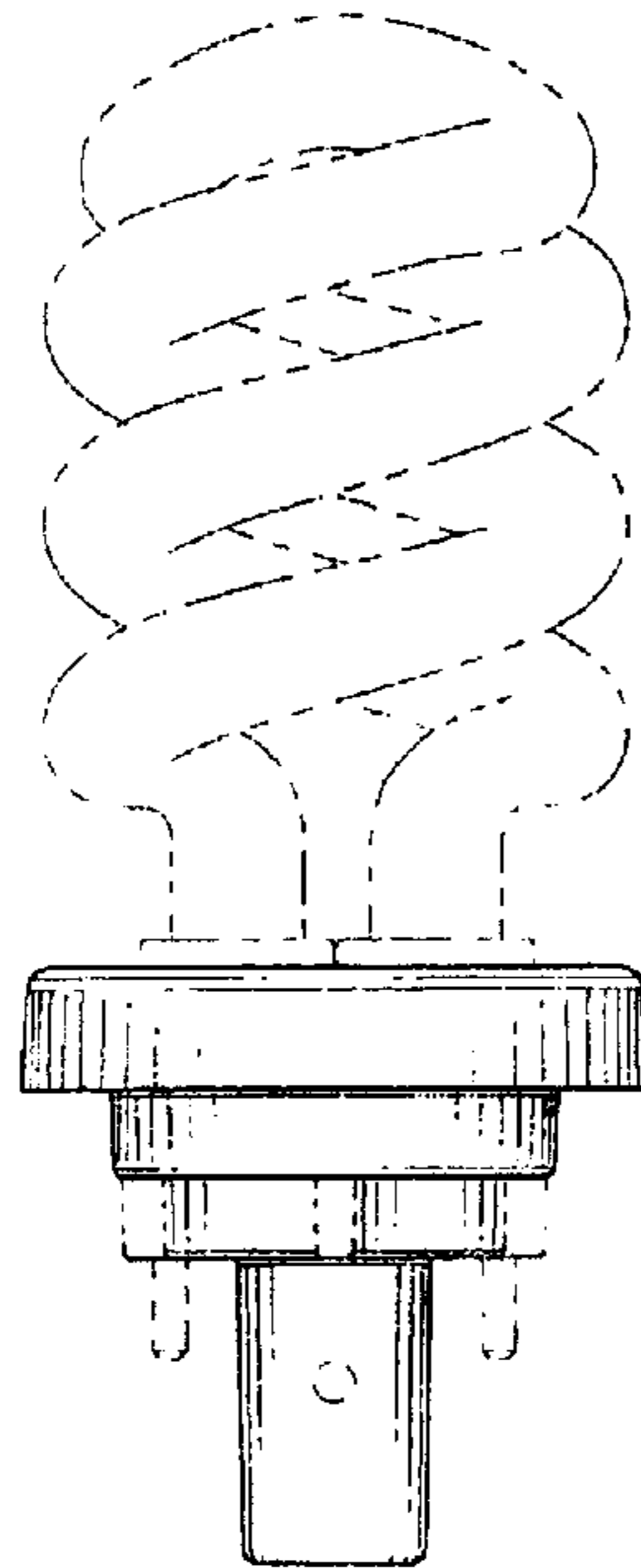


FIG. 4

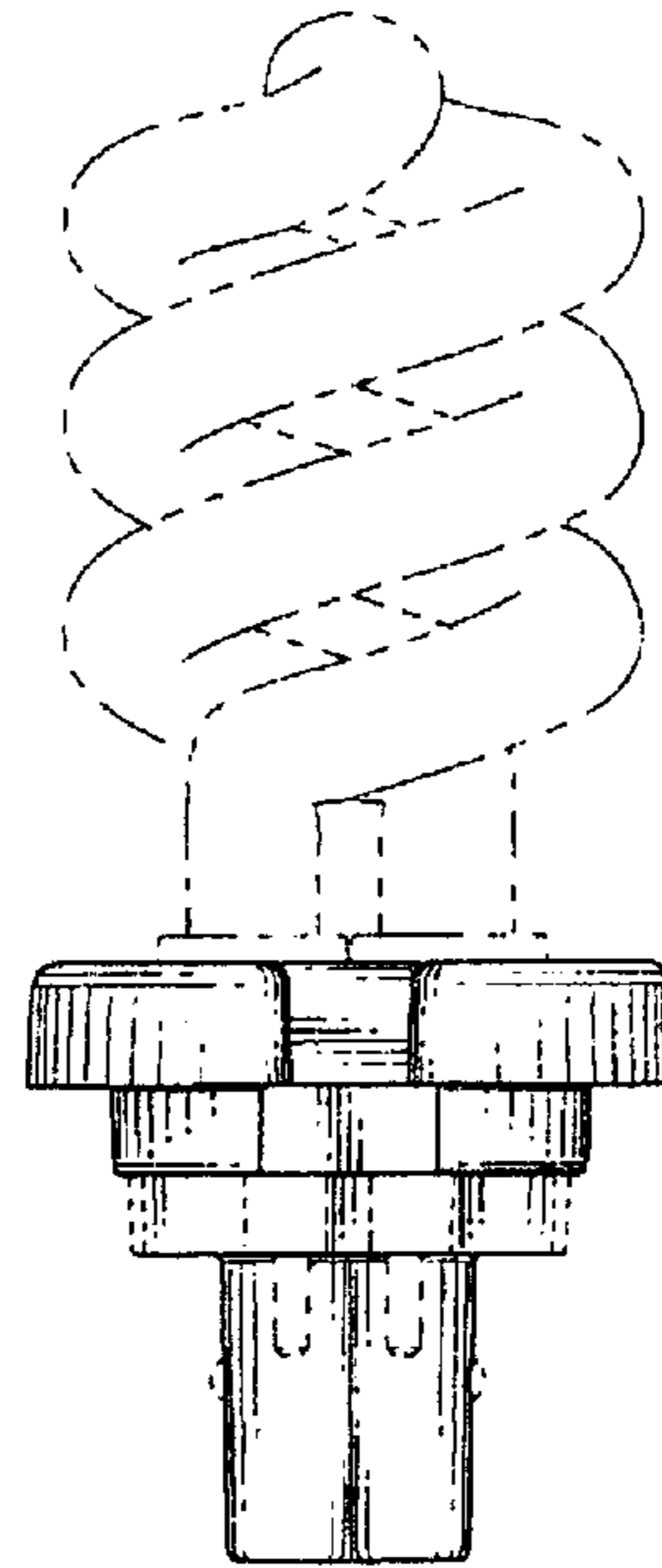


FIG. 5

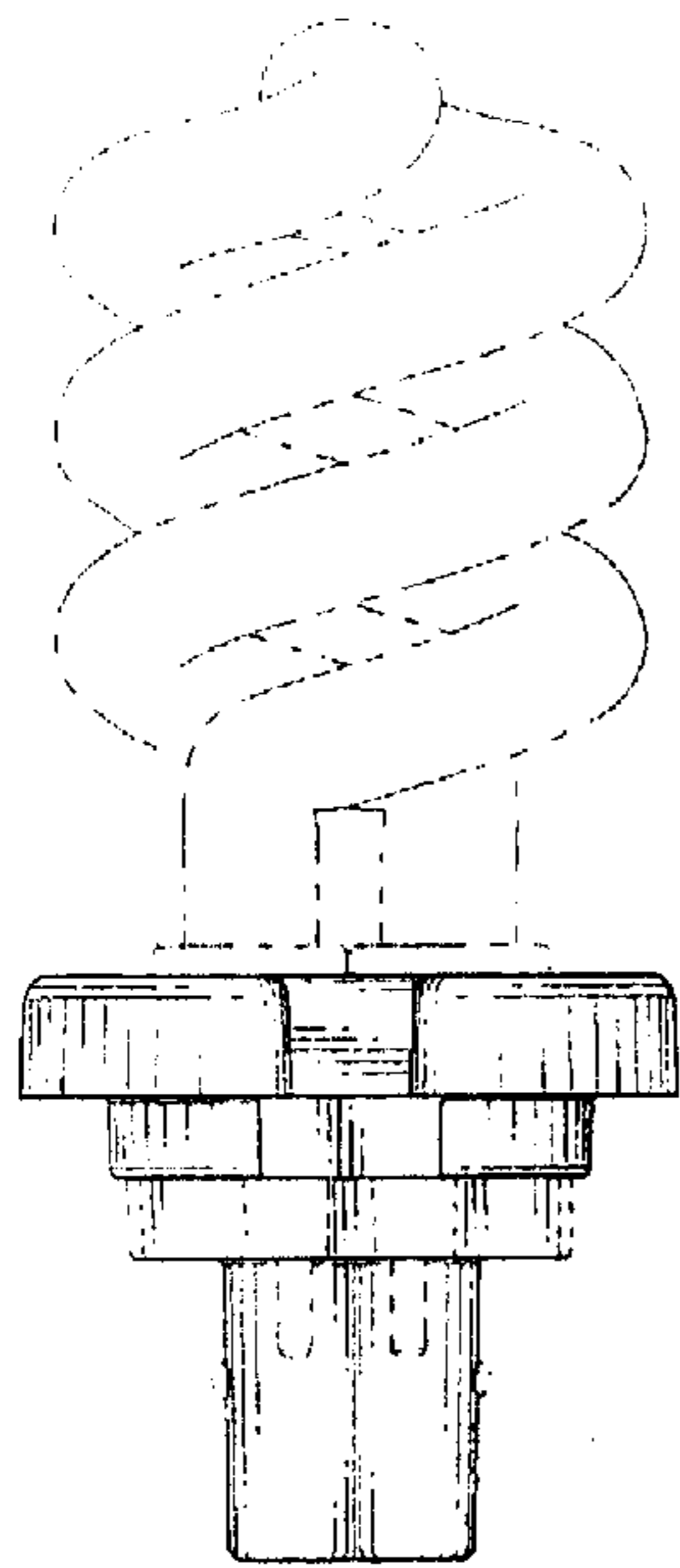


FIG. 6

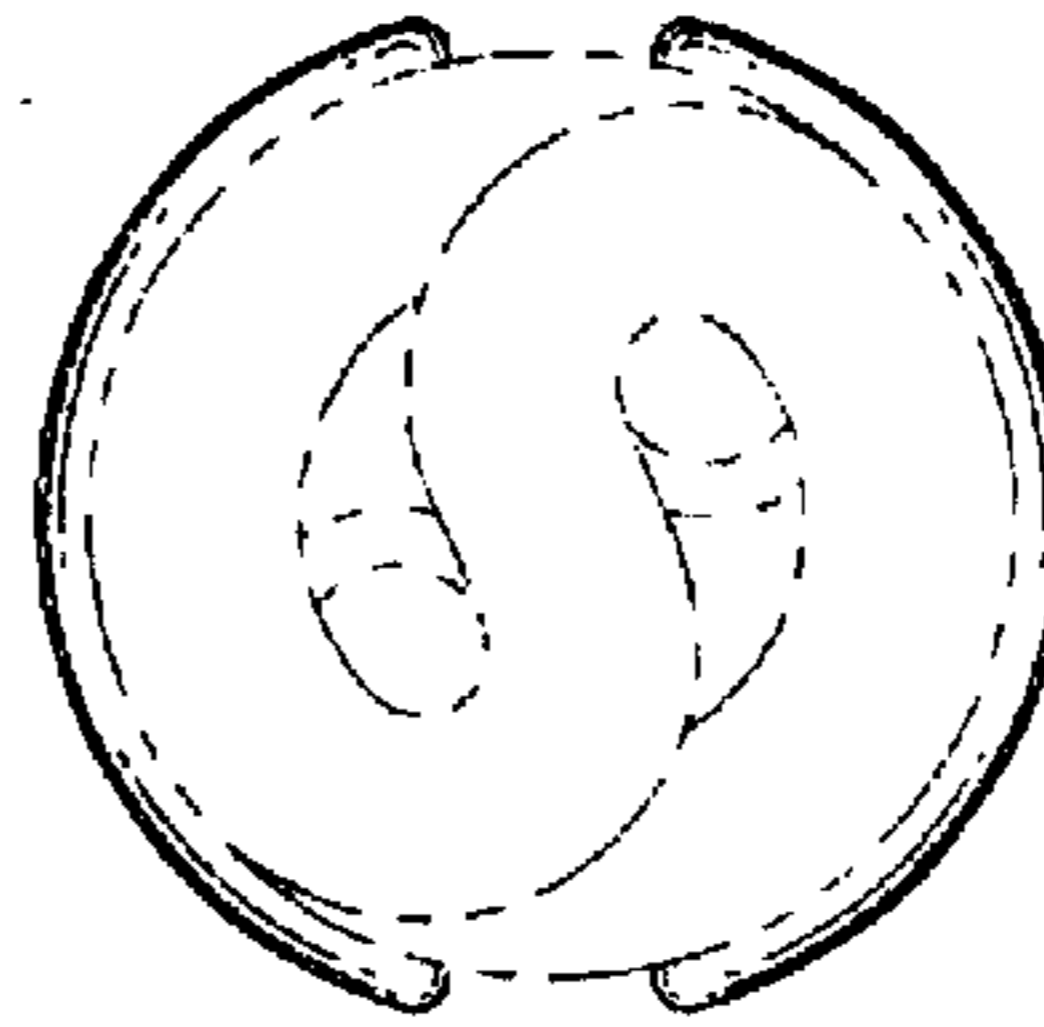


FIG. 8

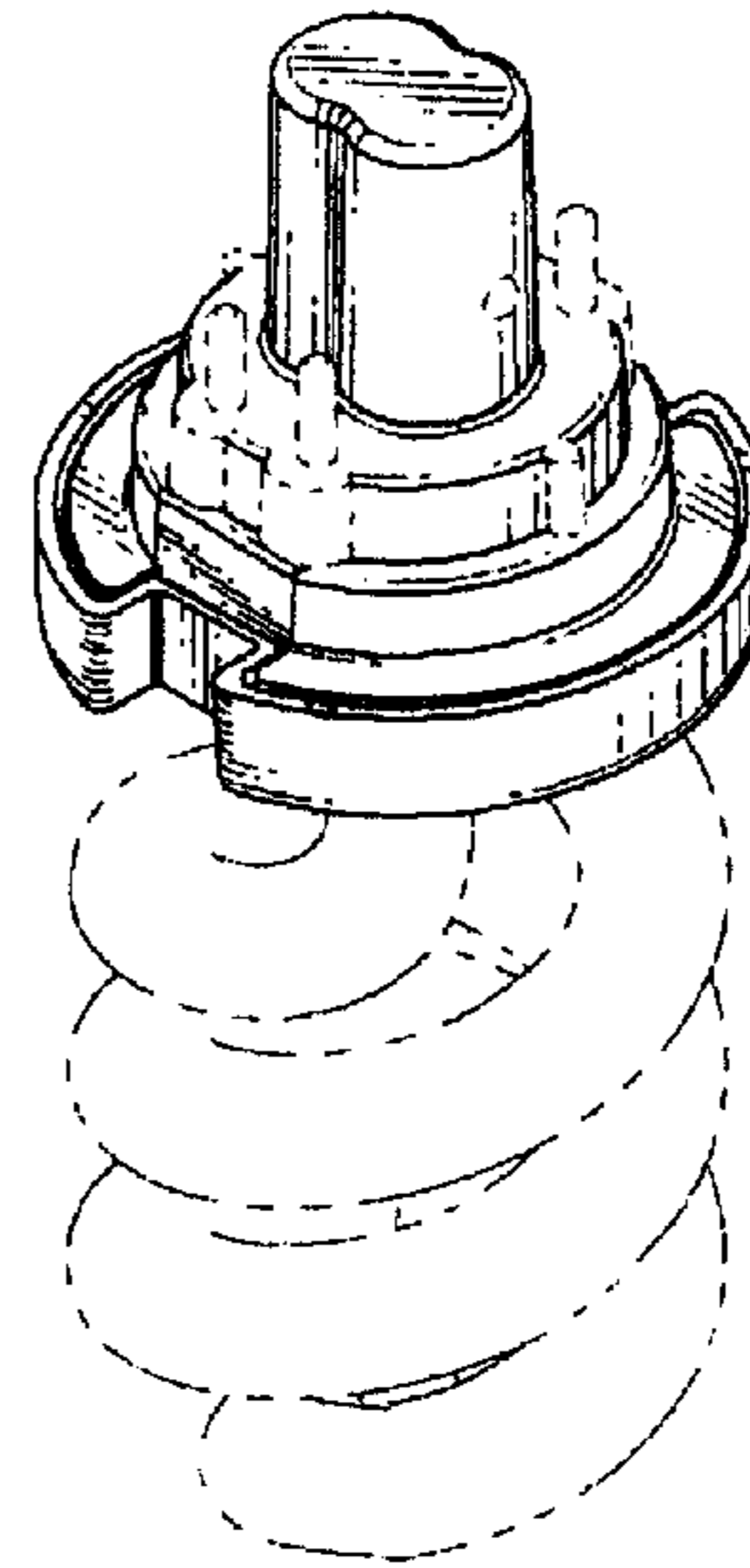


FIG. 7

