



US00D612528S

(12) **United States Design Patent**  
**McGrath et al.**

(10) **Patent No.:** **US D612,528 S**  
(45) **Date of Patent:** **\*\* Mar. 23, 2010**

(54) **LIGHT TUBE ASSEMBLY**

(75) Inventors: **William Richard McGrath**, Randolph, VT (US); **Oliver Alexander Piluski**, Randolph, VT (US); **Jason Michael Orzell**, Randolph, VT (US); **Peter R. Rahm**, Rochester, VT (US)

(73) Assignee: **LEDdynamics, Inc.**, Randolph, VT (US)

(\*\*) Term: **14 Years**

(21) Appl. No.: **29/317,866**

(22) Filed: **May 8, 2008**

(51) **LOC (9) Cl.** ..... **26-03**

(52) **U.S. Cl.** ..... **D26/76**

(58) **Field of Classification Search** ..... D26/3,  
D26/37, 67, 72, 74-79, 81-92, 118, 120;  
362/147, 217.07, 217.08, 218, 225, 132,  
362/243, 260-263, 267, 283, 311, 337, 364,  
362/800, 806; 315/51, 74, 246, 291; D23/372,  
D23/328, 385

See application file for complete search history.

(56) **References Cited**

**U.S. PATENT DOCUMENTS**

D138,370	S *	7/1944	Bradley	.....	D26/78
D240,549	S *	7/1976	Eftekhar	.....	D26/78
D274,657	S *	7/1984	Herst et al.	.....	D26/76
D354,360	S	1/1995	Murata		
D356,382	S *	3/1995	Jaksich	.....	D26/75
D381,760	S *	7/1997	Costa	.....	D26/76
6,033,092	A *	3/2000	Simon	.....	362/298
D438,326	S *	2/2001	Kan	.....	D26/76
D446,877	S *	8/2001	Lester	.....	D26/72
D459,516	S *	6/2002	Demers et al.	.....	D26/75
D465,292	S *	11/2002	Ko	.....	D26/4
6,762,562	B2	7/2004	Leong et al.		
D500,883	S *	1/2005	Herst et al.	.....	D26/118
6,853,151	B2	2/2005	Leong et al.		
6,860,628	B2	3/2005	Robertson et al.		
6,936,968	B2	8/2005	Cross et al.		
6,997,576	B1 *	2/2006	Lodhie et al.	.....	362/240

7,049,761	B2	5/2006	Timmermans et al.		
7,067,992	B2	6/2006	Leong et al.		
7,114,830	B2	10/2006	Robertson et al.		
D537,547	S *	2/2007	Iida	.....	D26/3
7,198,387	B1	4/2007	Gloisten et al.		
7,307,391	B2	12/2007	Shan		
D576,749	S *	9/2008	Kitagawa et al.	.....	D26/3
D577,456	S *	9/2008	Schwendinger et al.	.....	D26/72
7,452,104	B2 *	11/2008	New et al.	.....	362/255
7,510,299	B2 *	3/2009	Timmermans et al.	.....	362/225
D590,099	S *	4/2009	Maxik et al.	.....	D26/118
7,530,715	B2 *	5/2009	Mii	.....	362/293
D595,444	S *	6/2009	Shimomura	.....	D26/76
2003/0102810	A1	6/2003	Cross et al.		
2006/0193131	A1	8/2006	McGrath et al.		

\* cited by examiner

*Primary Examiner*—Philip S Hyder

*Assistant Examiner*—Susan E Krakower

(74) *Attorney, Agent, or Firm*—Downs Rachlin Martin PLLC

(57) **CLAIM**

We claim the ornamental design for a light tube assembly, as shown and described.

**DESCRIPTION**

FIG. 1 is a side, end perspective view of first side of one embodiment of a light tube assembly;

FIG. 2 is a side, end perspective view of the first side of the light tube assembly of FIG. 1 with one end cap removed to more clearly illustrate the contours of the outer surfaces;

FIG. 3 is a side, end perspective view of a second side of the light tube assembly of FIG. 1;

FIG. 4 is a side, end perspective view of the second side of the light tube assembly of FIG. 1 with one end cap removed to more clearly illustrate the contours of the outer surfaces;

FIG. 5 is an elevational view of one end of the light tube assembly of FIG. 1, with the end caps removed to more clearly illustrate the contours of the outer surface; --

FIG. 6 is an elevation view of one end of the light tube assembly of FIG. 1, the second end is the same as the first end;

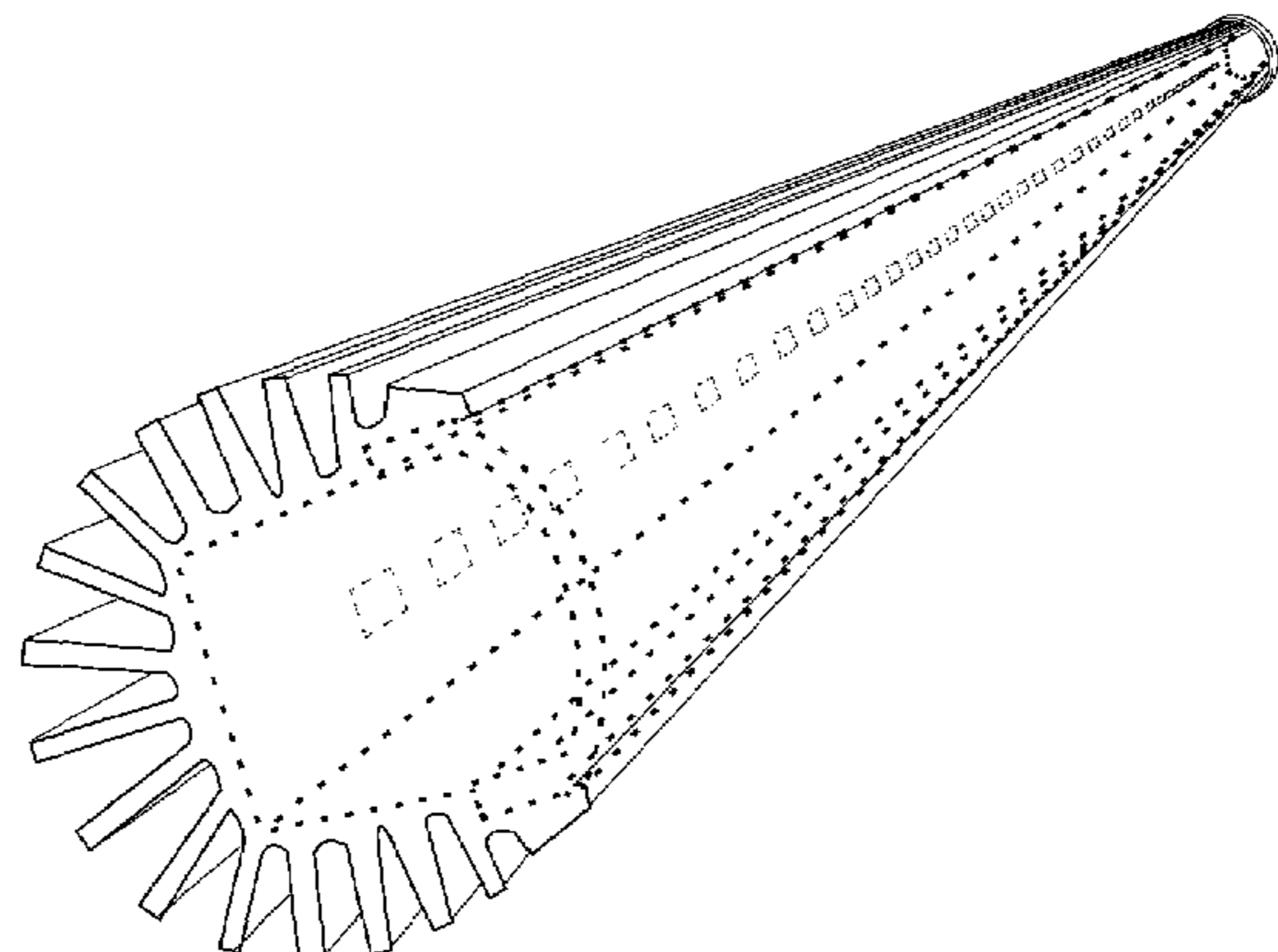
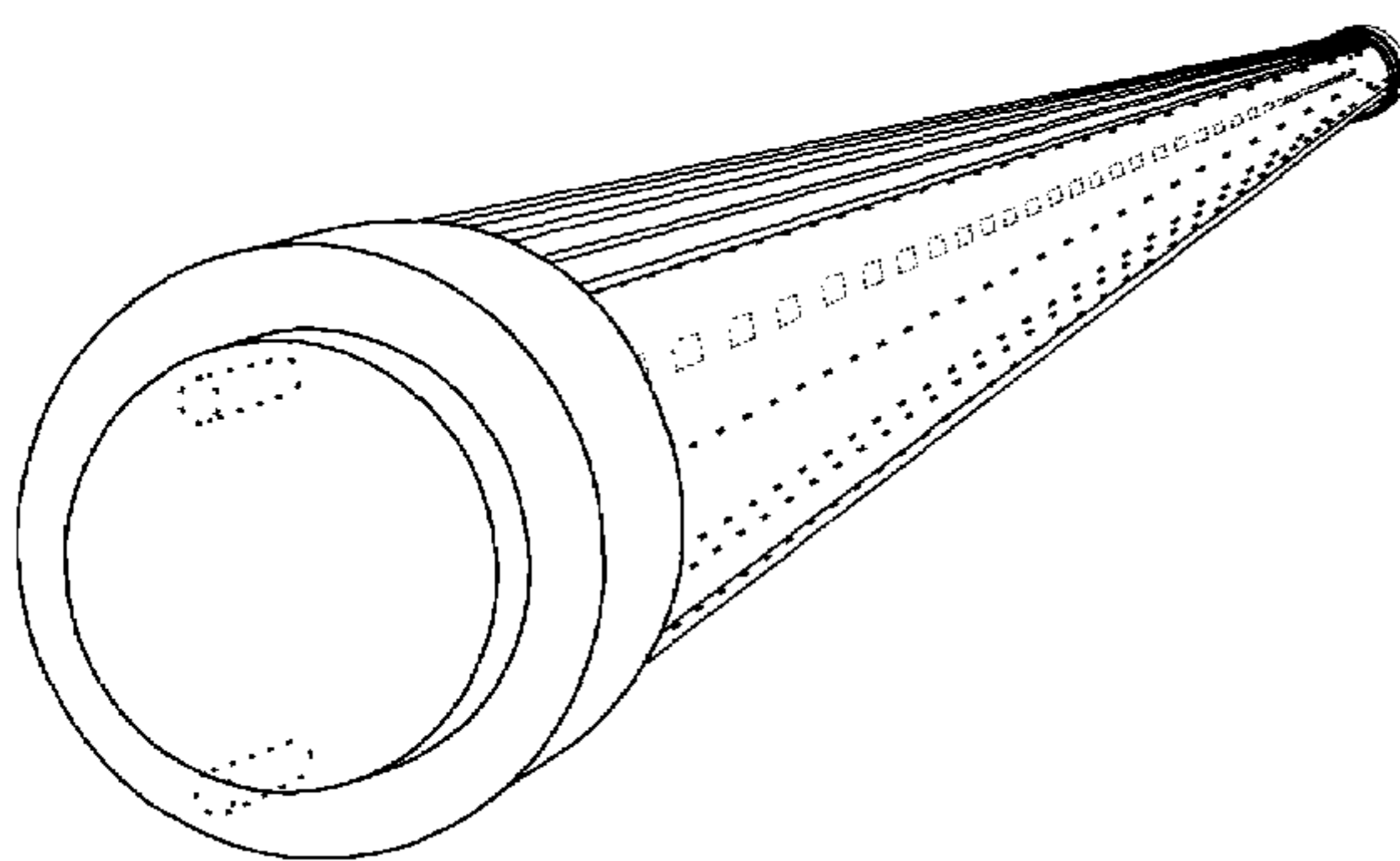


FIG. 7 is a reduced scale elevational view of a third side of the light tube assembly of FIG. 1, the fourth side of the light tube assembly is the same as the third side;

FIG. 8 is an enlarged, elevational, partial view of the third side of the light tube assembly of FIG. 1;

FIG. 9 is a reduced scale elevational view of the first side of the light tube assembly of FIG. 1;

FIG. 10 is an enlarged, elevational, partial view of the first side of the light tube assembly of FIG. 1;

FIG. 11 is a reduced scale elevational view of the second side of the light tube assembly of FIG. 1;

FIG. 12 is an enlarged, elevational, partial view of the second side of the light tube assembly of FIG. 1;

FIG. 13 is a side, end perspective view of a first side of a second embodiment of a light tube assembly;

FIG. 14 is a side, end perspective view of the first side of the light tube assembly of FIG. 13 with one end cap removed to more clearly illustrate the contours of the outer surfaces;

FIG. 15 is a side, end perspective view of a second side of the light tube assembly of FIG. 13;

FIG. 16 is a side, end perspective view of the second side of the light tube assembly of FIG. 13 with one end cap removed to more clearly illustrate the contours of the outer surfaces;

FIG. 17 is an elevational view of one end of the light tube assembly of FIG. 13, with the end caps removed to more clearly illustrate the contours of the outer surface;

FIG. 18 is an elevation view of one end of the light tube assembly of FIG. 13, the second end is the same as the first end;

FIG. 19 is a reduced scale elevational view of a third side of the light tube assembly of FIG. 13, the fourth side of the light tube assembly is the same as the third side;

FIG. 20 is an enlarged, elevational, partial view of the third side of the light tube assembly of FIG. 13;

FIG. 21 is a reduced scale elevational view of the first side of the light tube assembly of FIG. 13;

FIG. 22 is an enlarged, elevational, partial view of the first side of the light tube assembly of FIG. 13;

FIG. 23 is a reduced scale elevational view of the second side of the light tube assembly of FIG. 13; and,

FIG. 24 is an enlarged elevational, partial view of the second side of the light tube assembly of FIG. 13.

The broken lines showing a lens, light source, interior features and pin connector, illustrate environmental structure and form no part of the claimed design.

**1 Claim, 12 Drawing Sheets**

FIG. 1

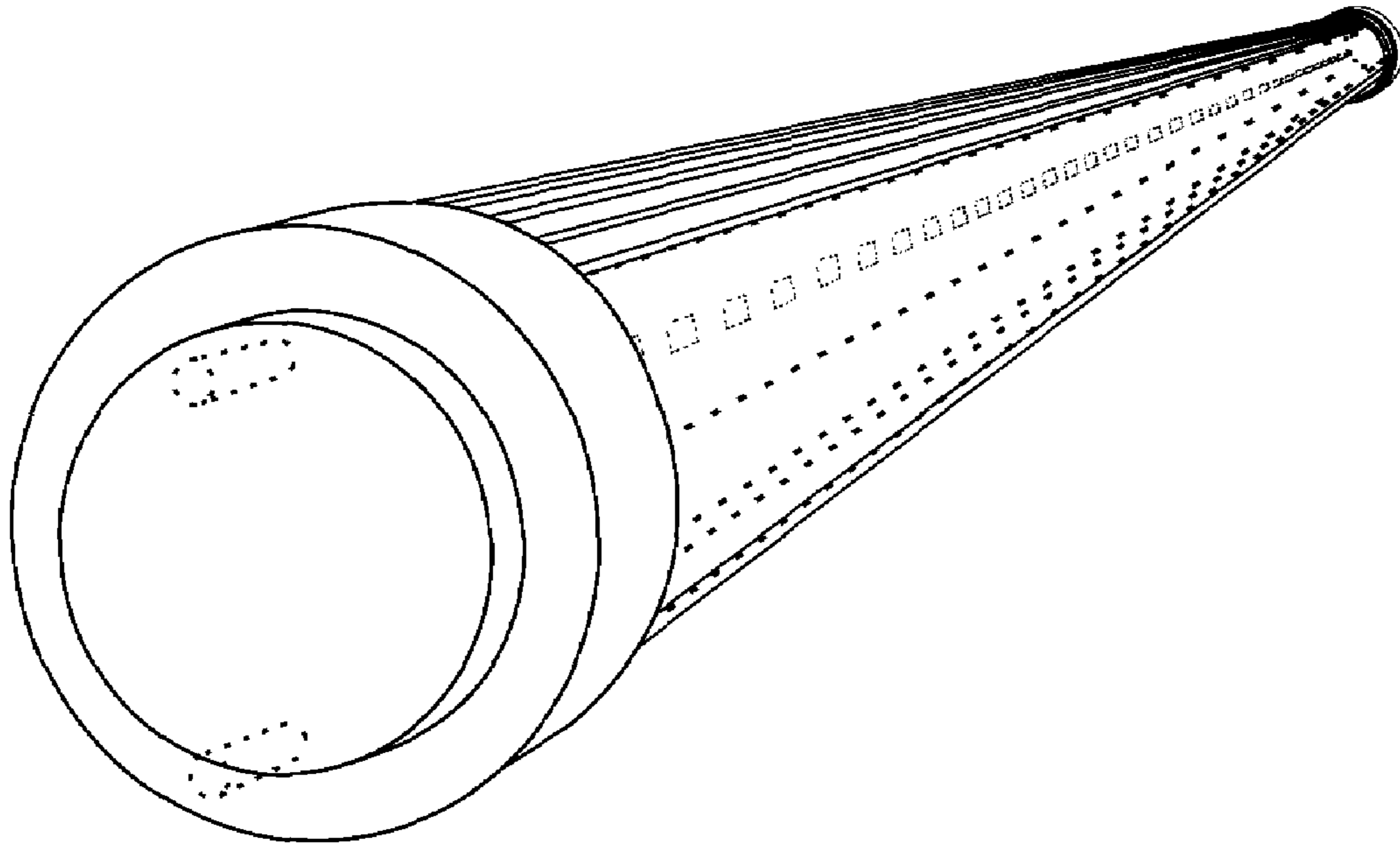


FIG. 2

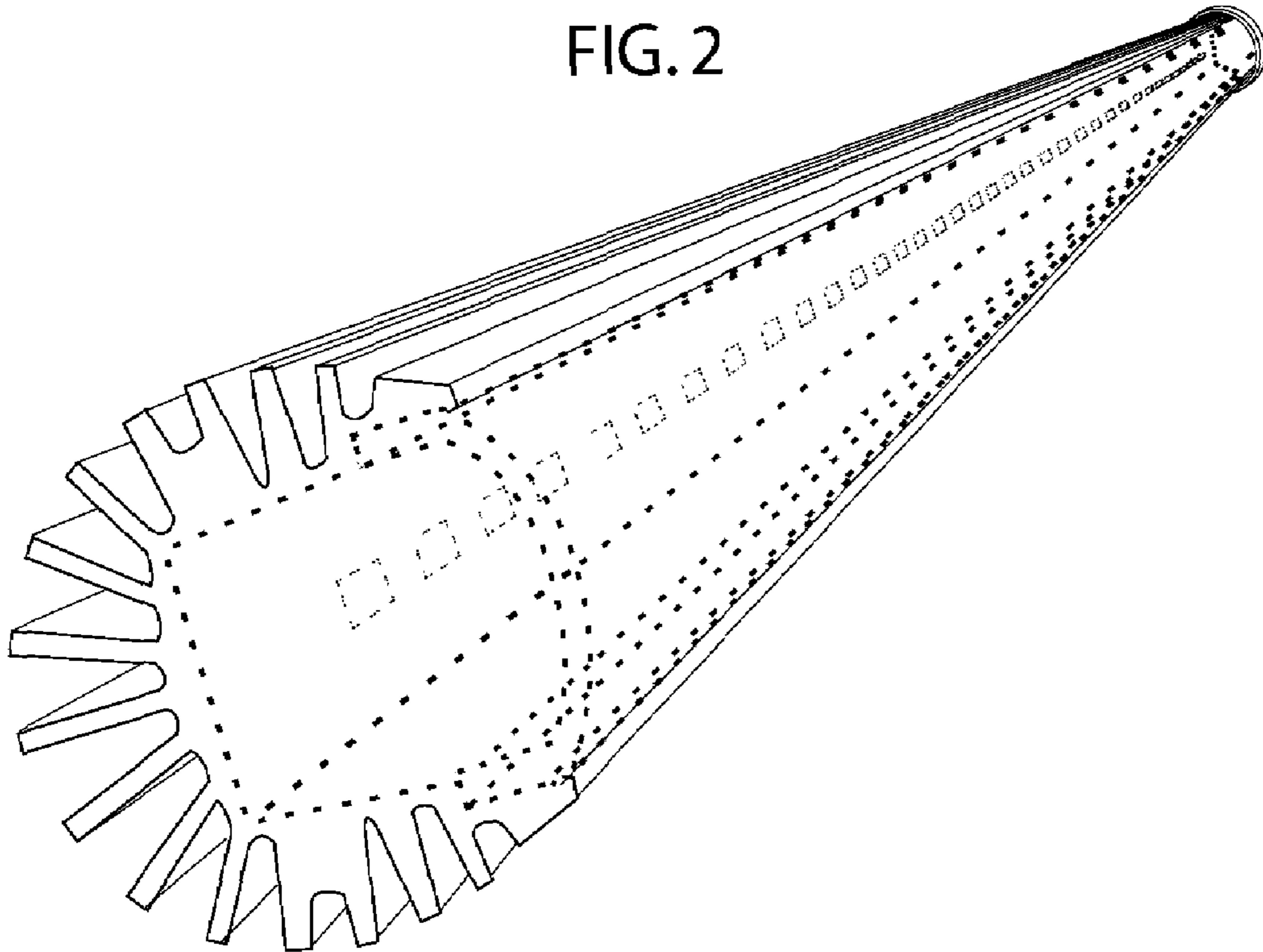




FIG. 3

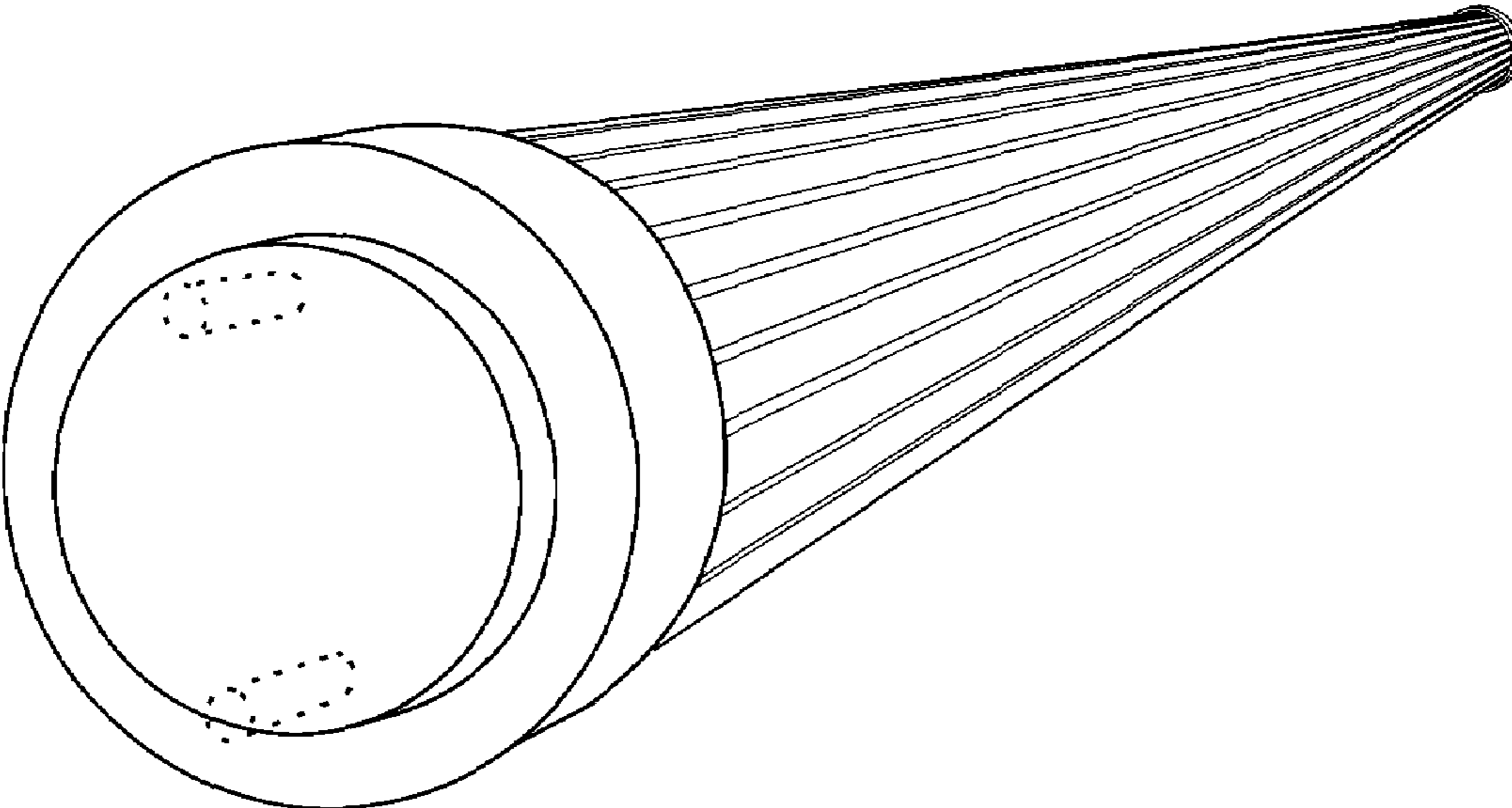


FIG. 4

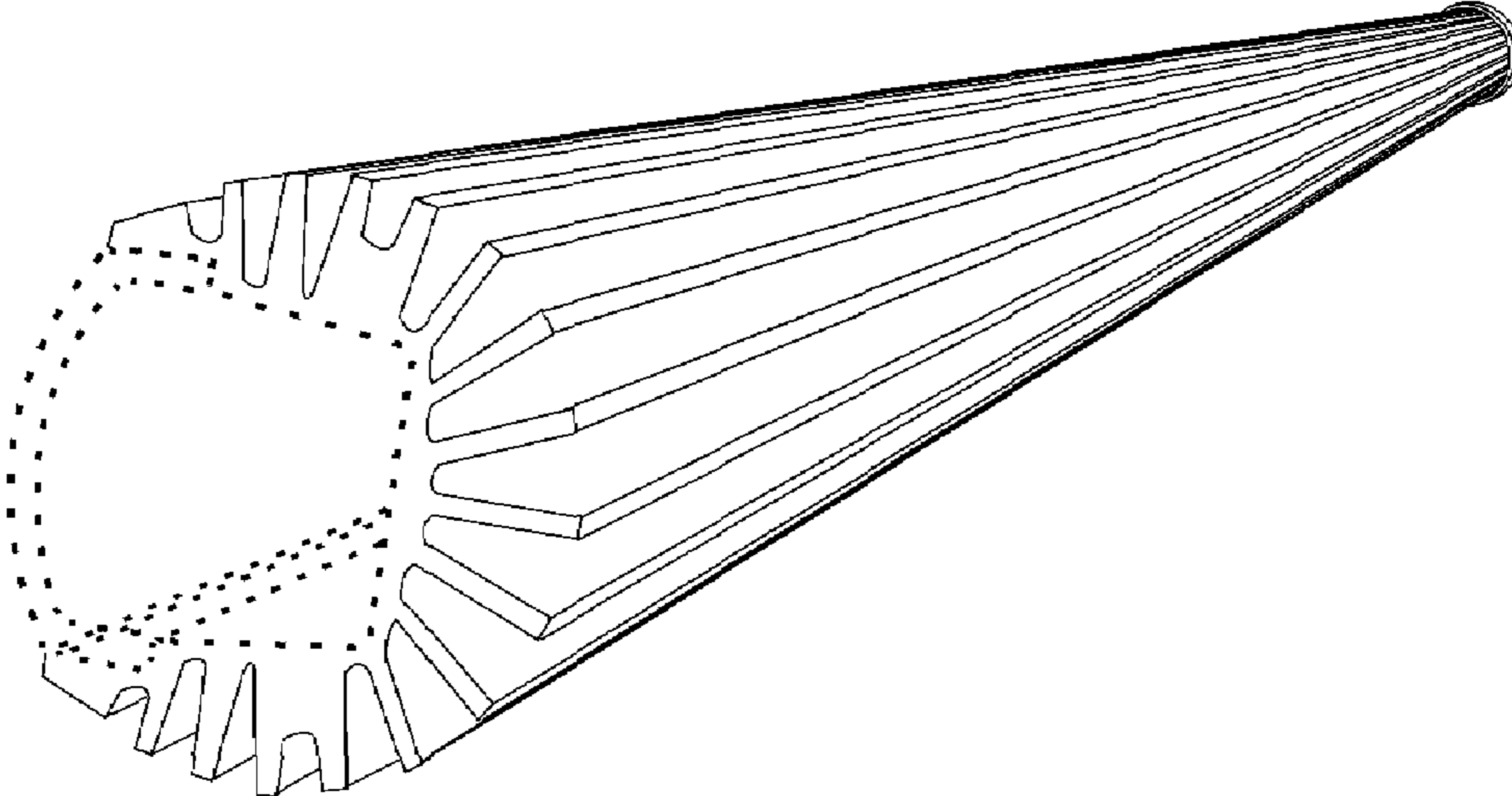


FIG. 5

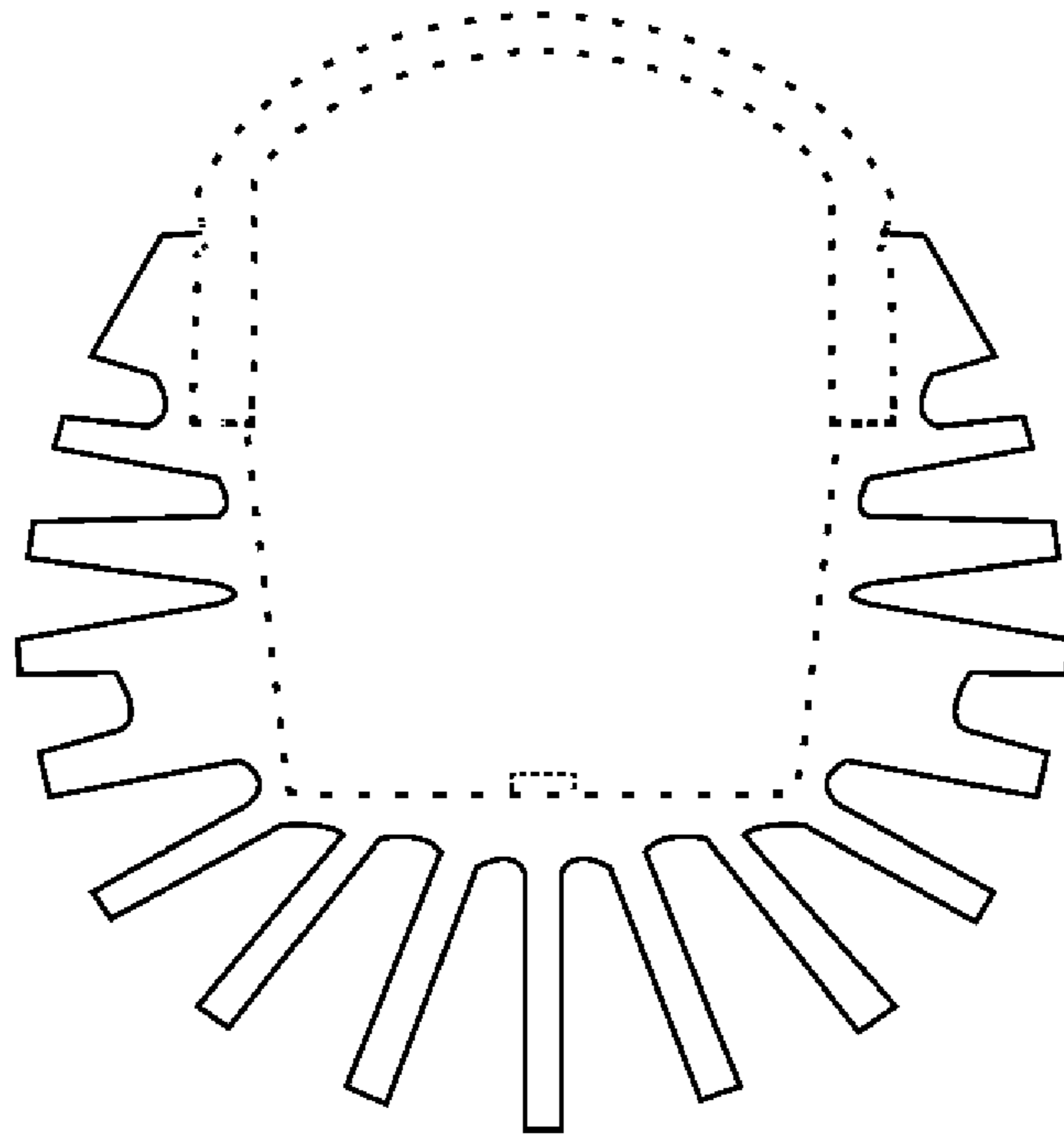


FIG. 6

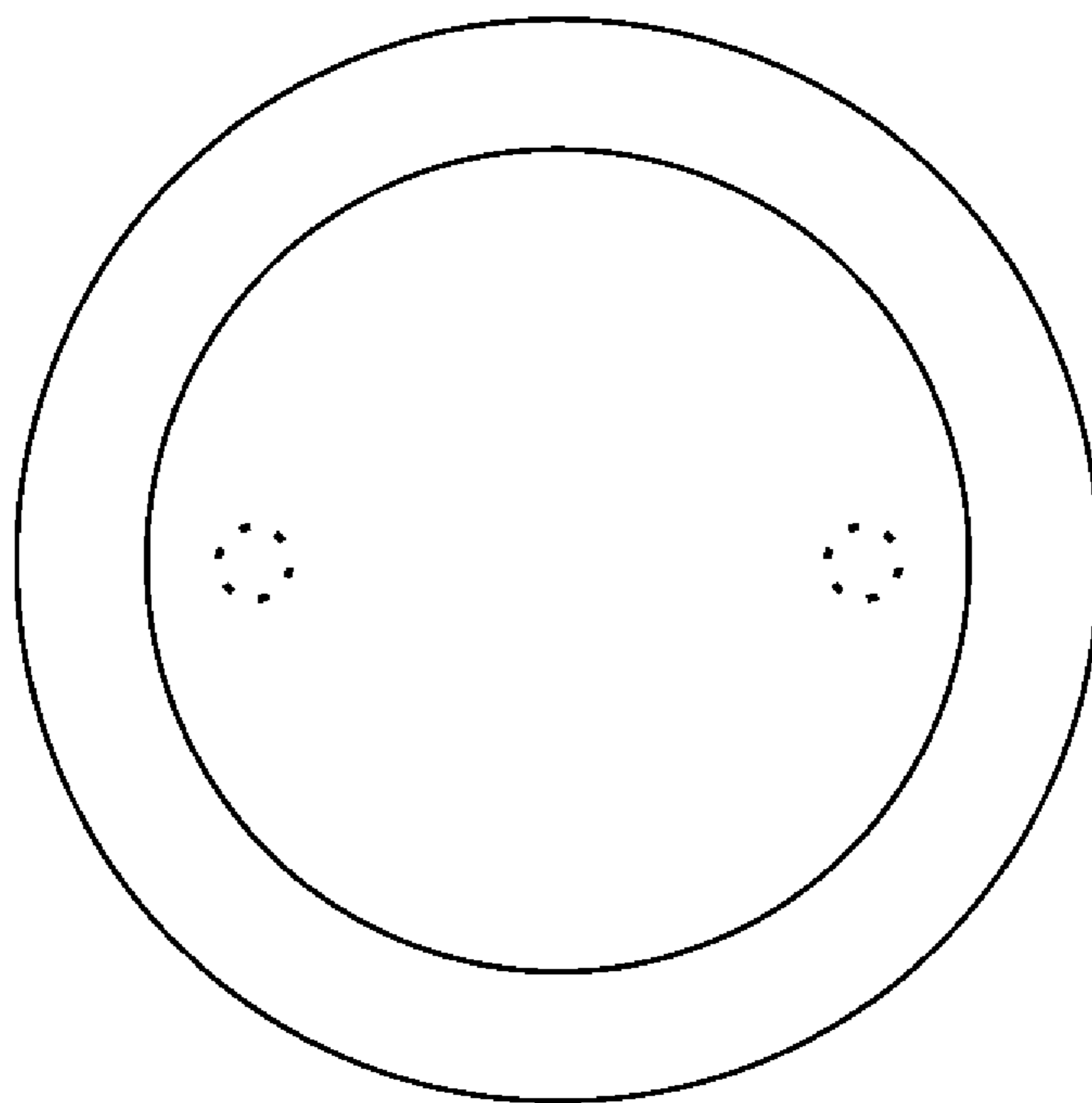


FIG. 7

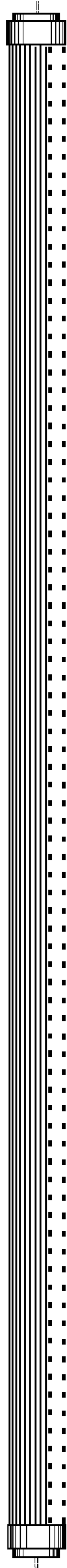


FIG. 8

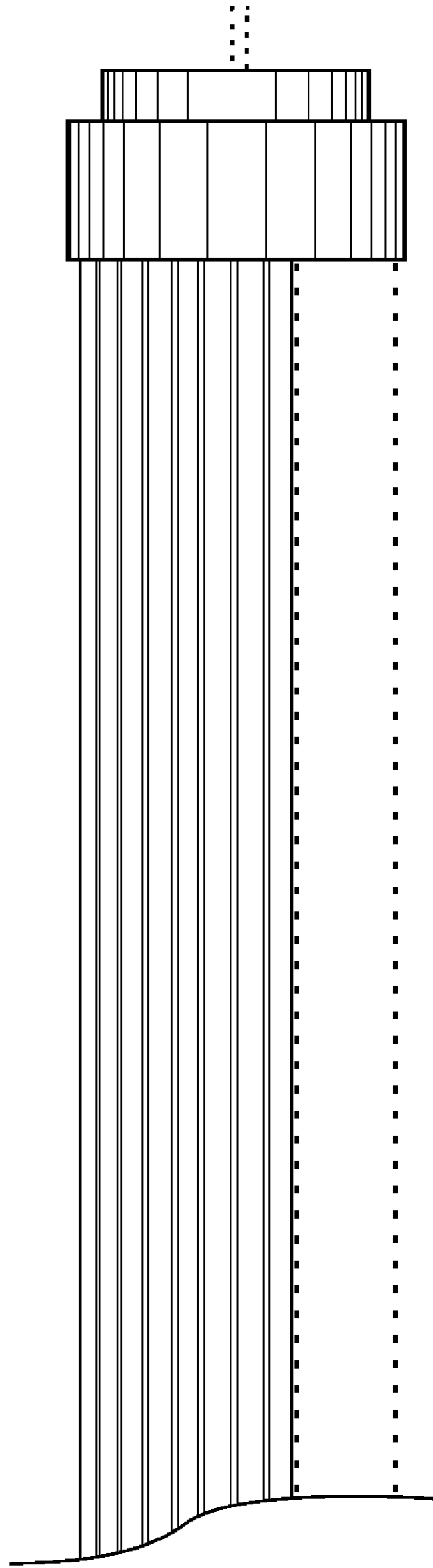


FIG. 9

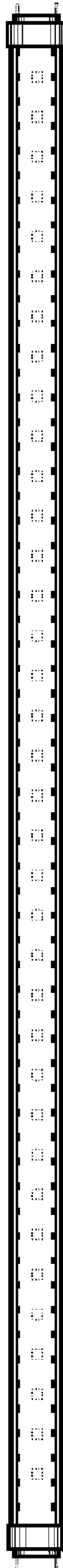


FIG. 10

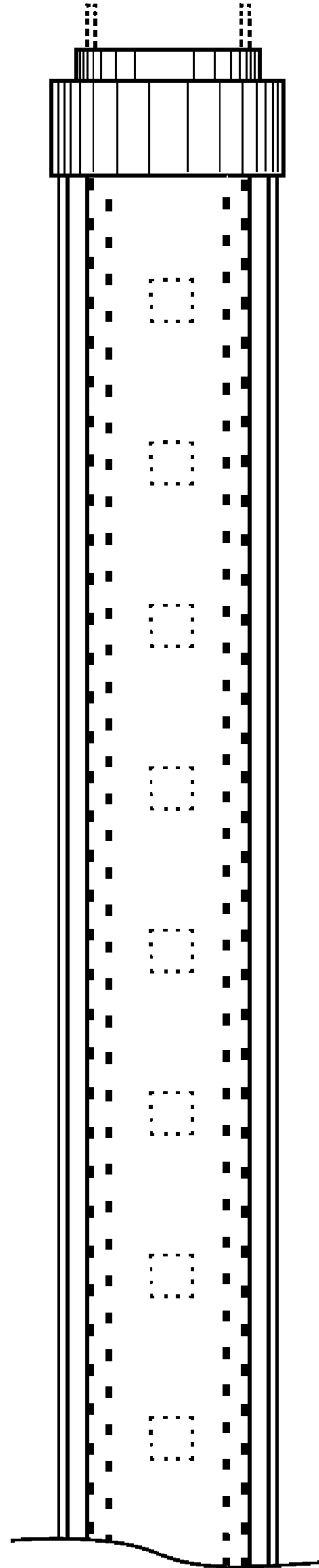


FIG. 11

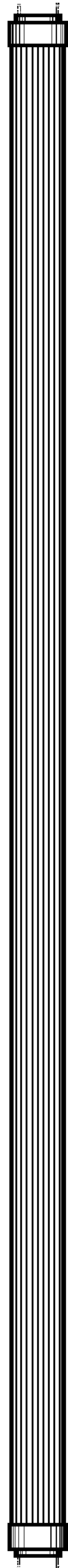


FIG. 12

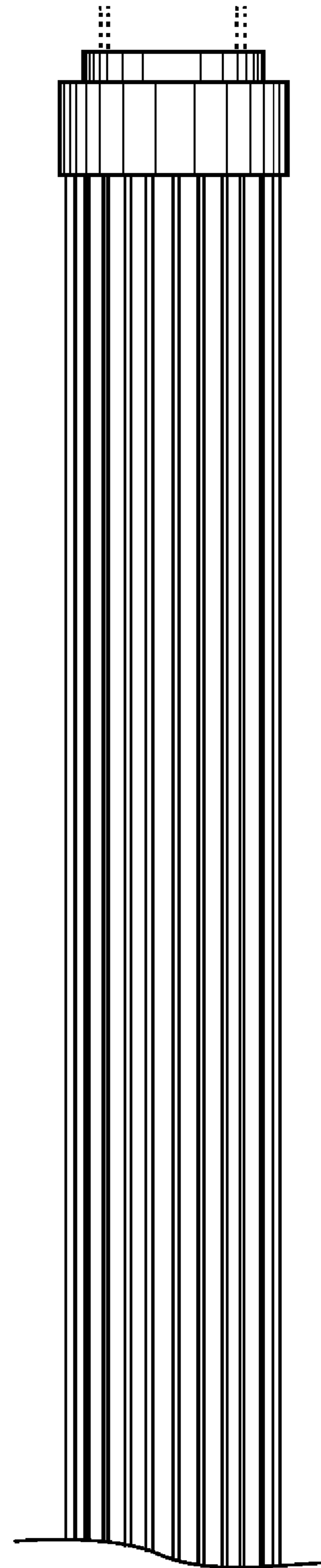




FIG. 13

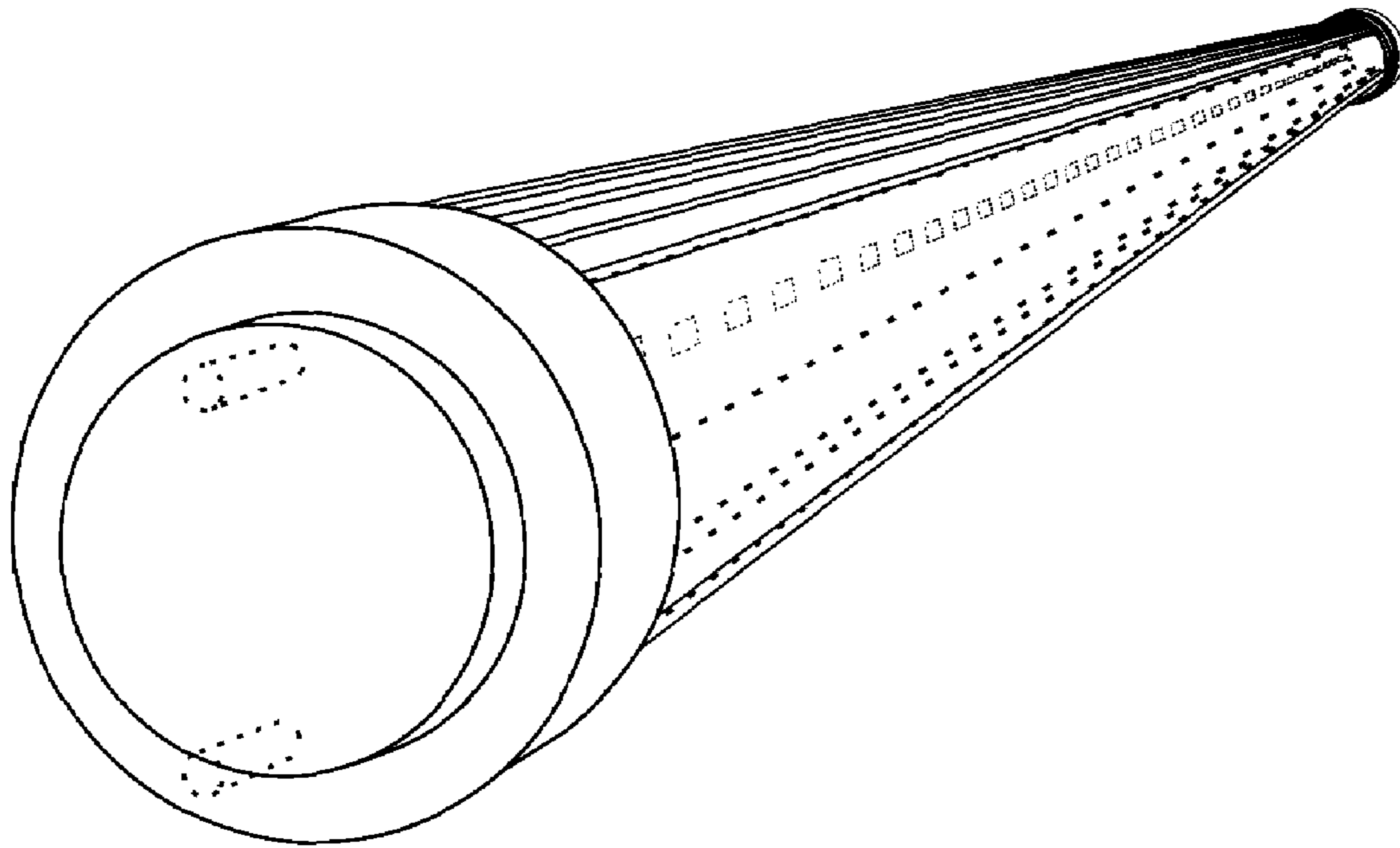


FIG. 14

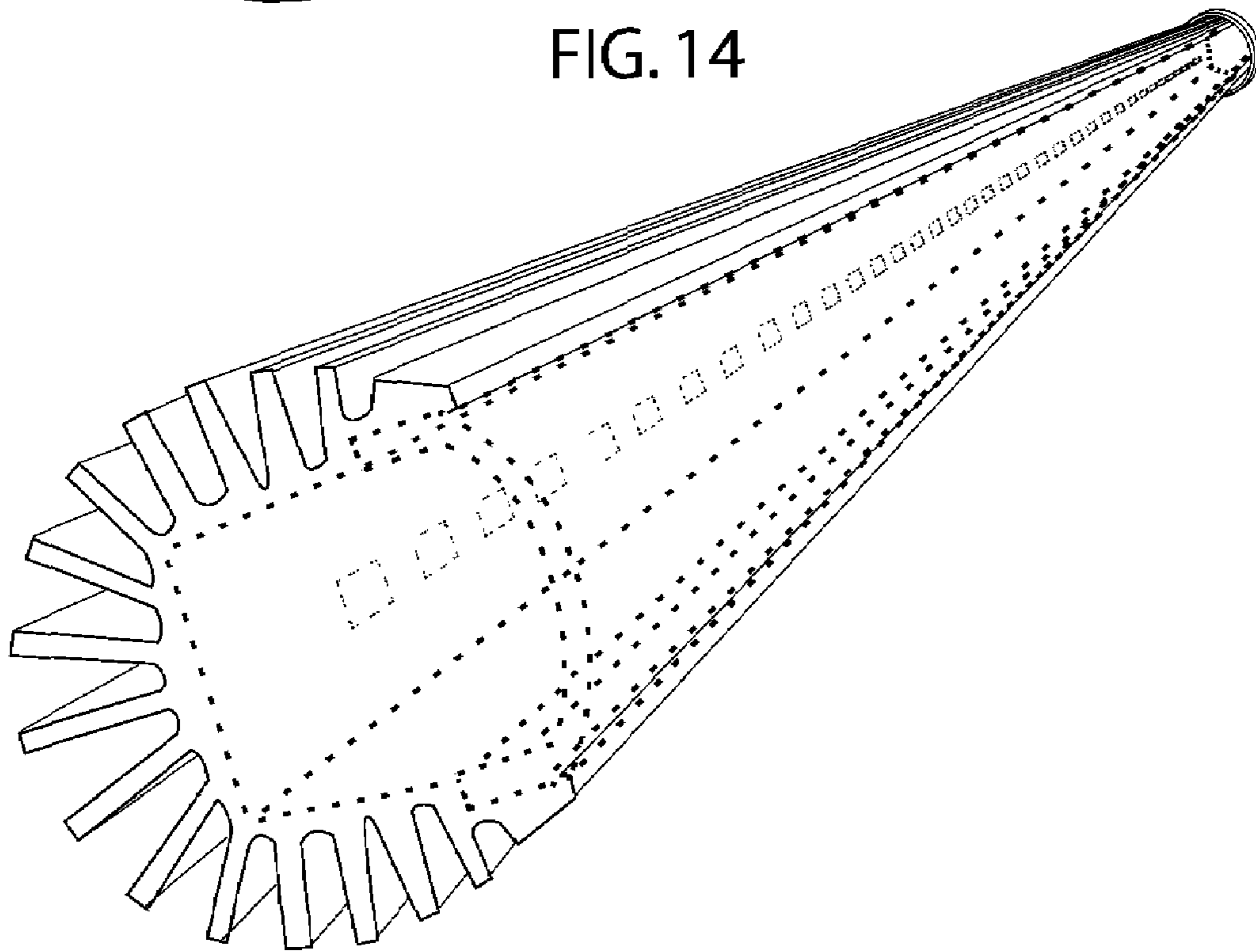


FIG. 15

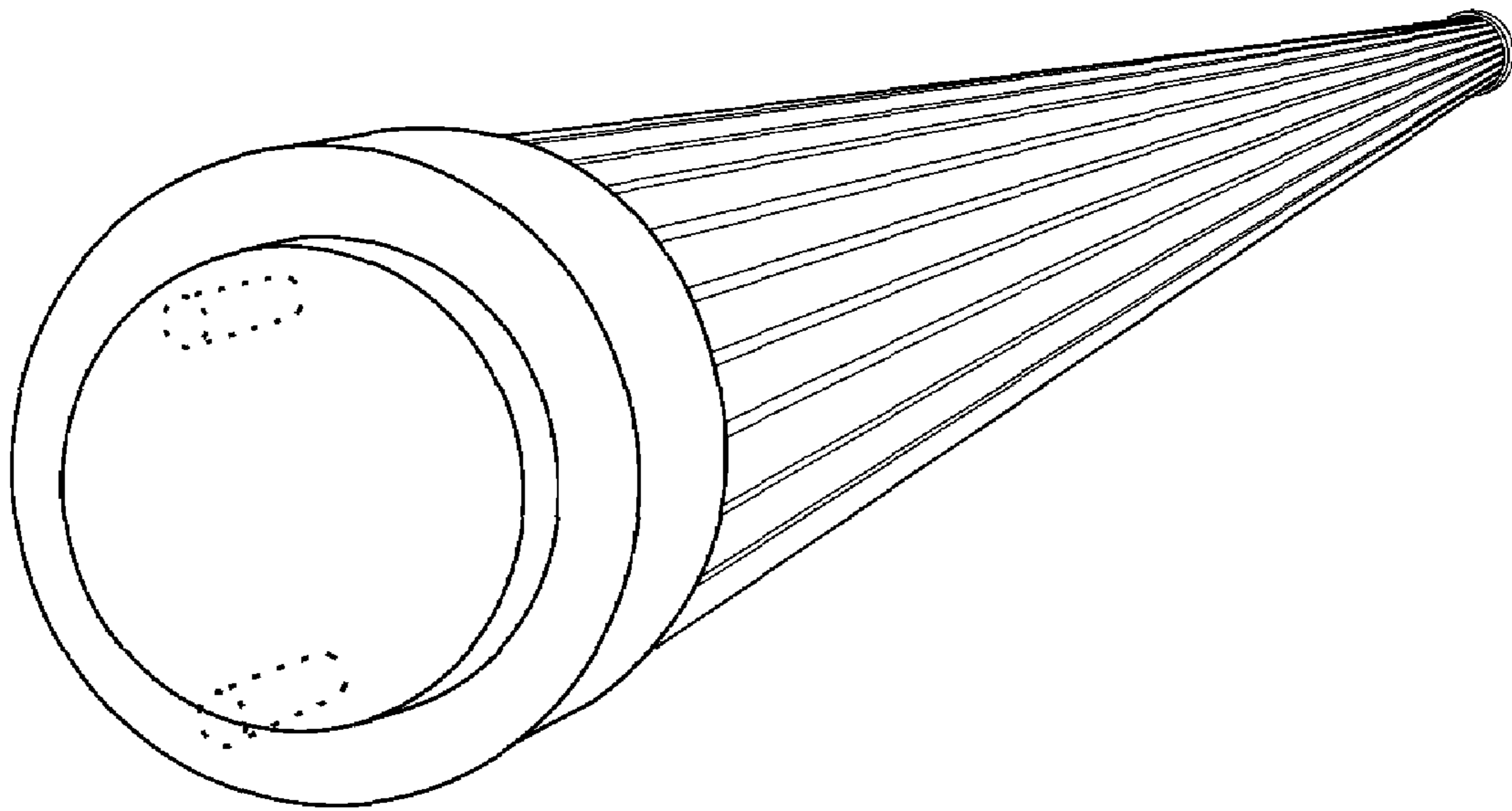


FIG. 16

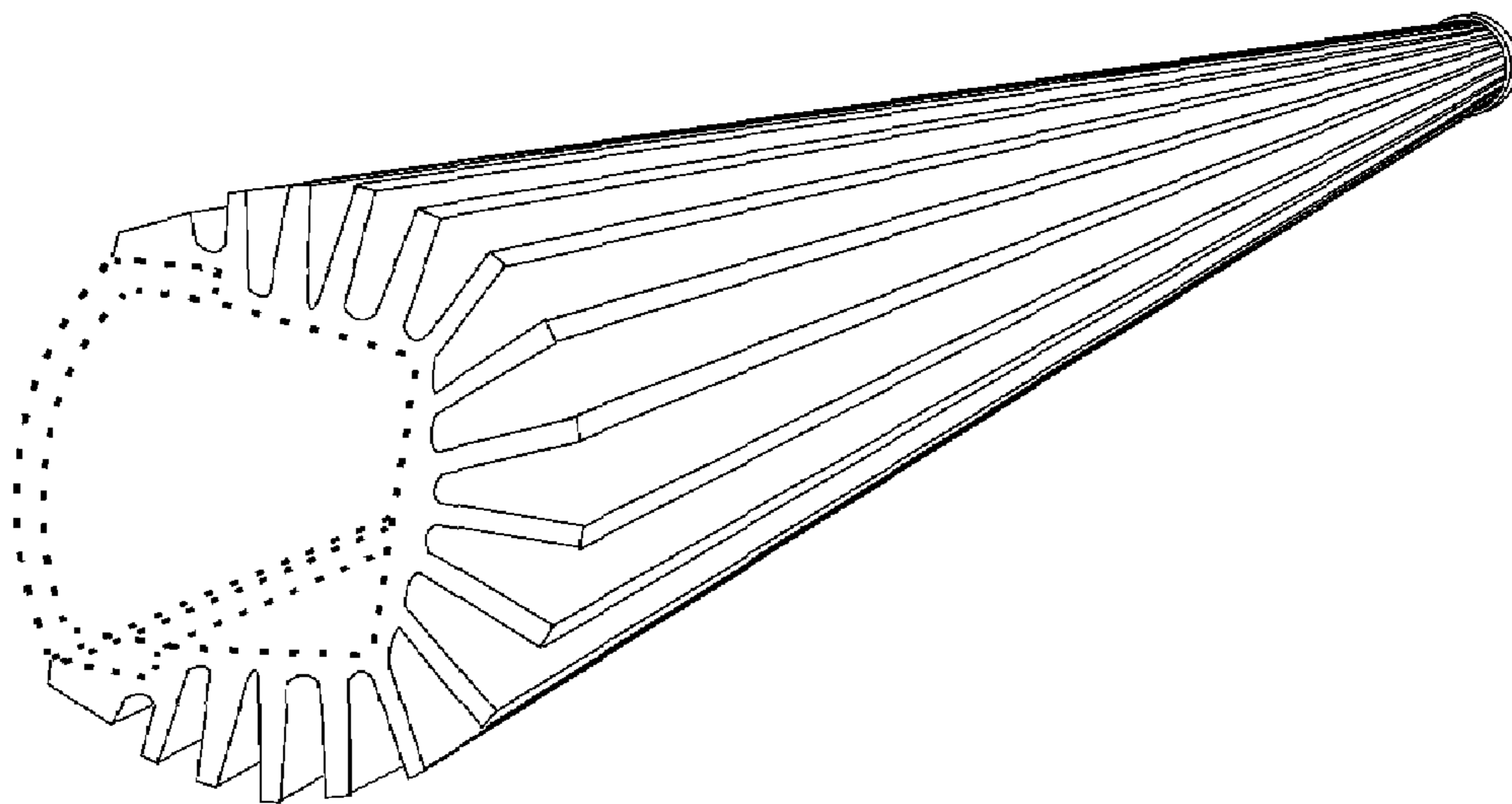


FIG. 17

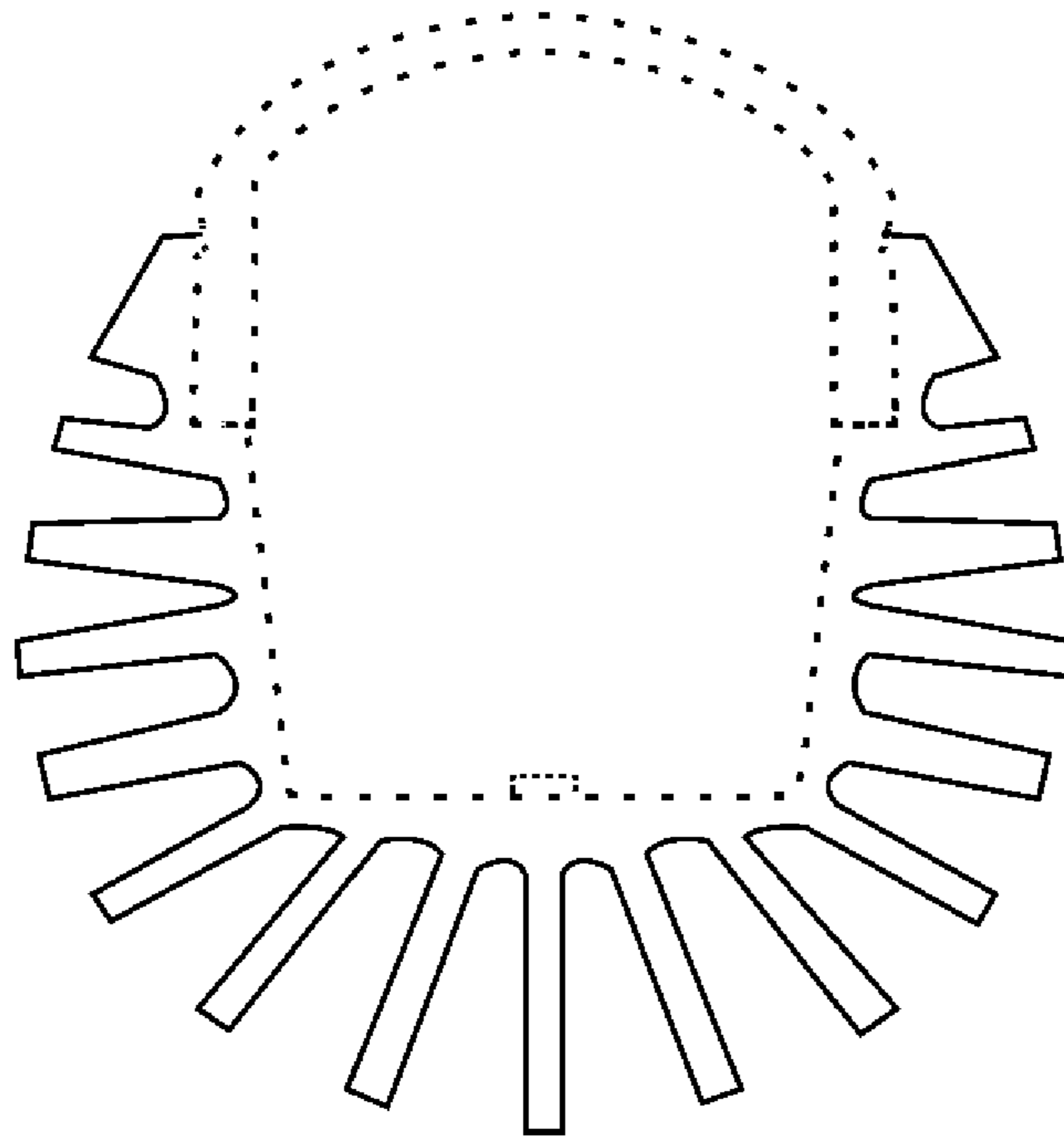


FIG. 18

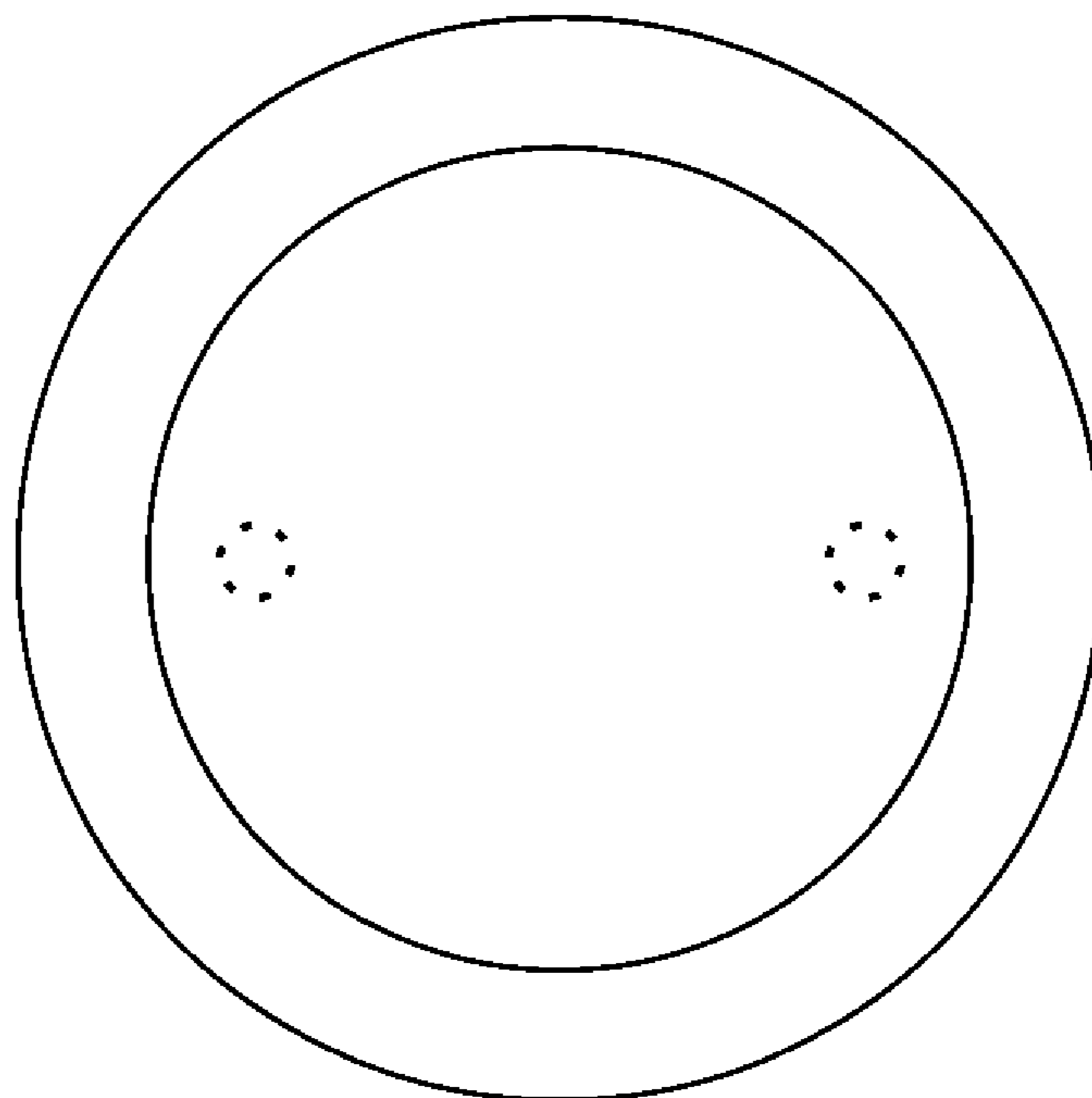


FIG. 19

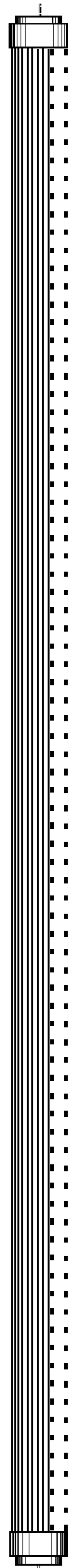


FIG. 20

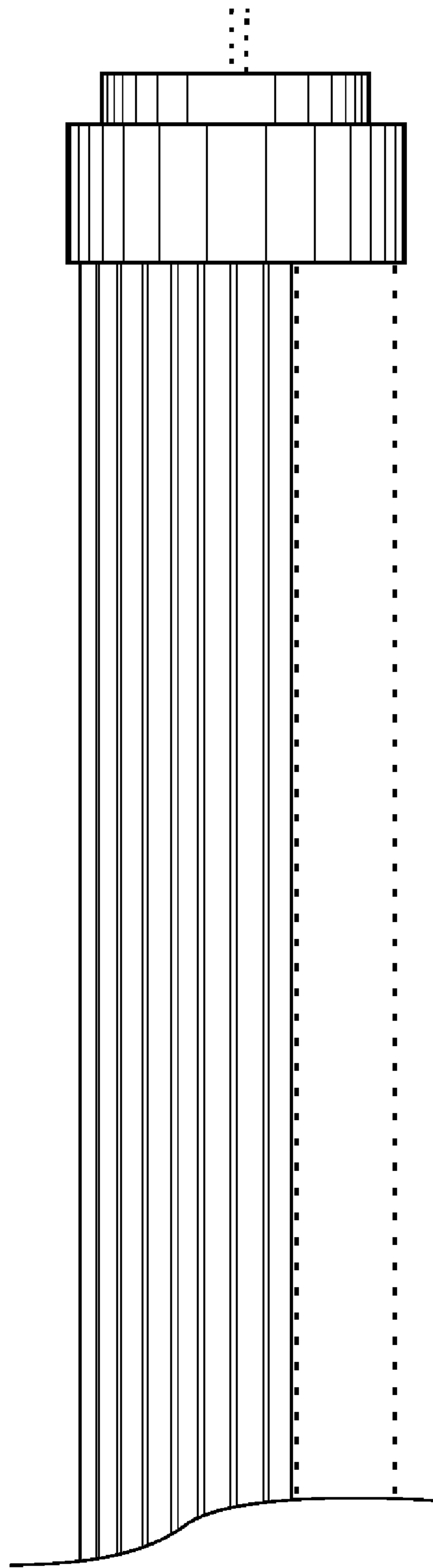


FIG. 21

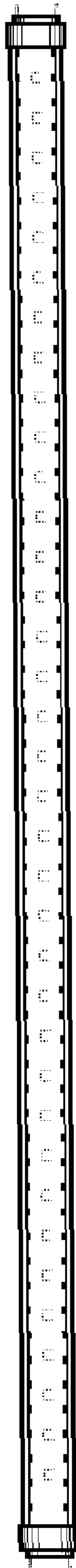


FIG. 22

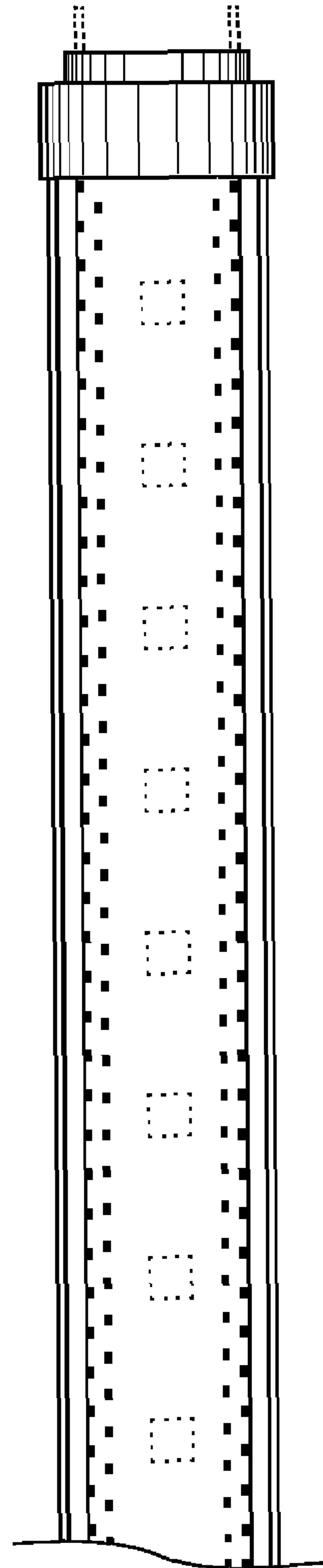




FIG. 23

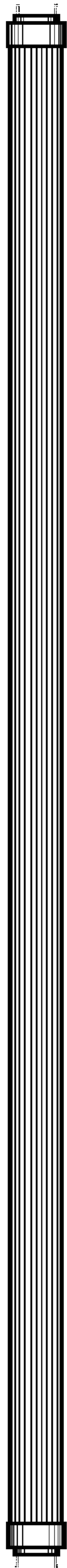


FIG. 24

