



US00D612527S

(12) **United States Design Patent**
Espiau et al.

(10) **Patent No.:** **US D612,527 S**
(45) **Date of Patent:** **** Mar. 23, 2010**

(54) **COBRA HEAD LAMP WITH SMALL FORM FACTOR ELECTRODELESS BULB**

(75) Inventors: **Frederick M. Espiau**, Topanga, CA (US); **Mehran Matloubian**, Encino, CA (US)

(73) Assignee: **Topanga Technologies, Inc.**, Canoga, CA (US)

(**) Term: **14 Years**

(21) Appl. No.: **29/331,673**

(22) Filed: **Jan. 29, 2009**

(51) **LOC (9) Cl.** **26-05**

(52) **U.S. Cl.** **D26/71; D26/92**

(58) **Field of Classification Search** D26/67-72, D26/85, 92; 362/145, 152, 183, 294, 373, 362/414, 431, 545

See application file for complete search history.

(56) **References Cited**

U.S. PATENT DOCUMENTS

D201,765 S *	7/1965	Mox	D26/71
D202,212 S *	9/1965	Izzi	D26/71
D203,065 S *	11/1965	Izzi	D26/71
D206,240 S *	11/1966	Rutter	D26/71
D220,778 S *	5/1971	Jablonski et al.	D26/71
D283,170 S *	3/1986	Newgard et al.	D26/71
D346,237 S *	4/1994	Schreder	D26/71

D348,531 S *	7/1994	Mehaffey et al.	D26/71
D348,945 S *	7/1994	Mehaffey et al.	D26/71
D556,935 S *	12/2007	Quioque et al.	D26/71
D572,857 S *	7/2008	Kauffman et al.	D26/71
D591,445 S *	4/2009	Guercio	D26/92

* cited by examiner

Primary Examiner—Clare E Heflin

(74) *Attorney, Agent, or Firm*—Townsend and Townsend and Crew LLP

(57) **CLAIM**

The ornamental design for a cobra head lamp with small form factor electrodeless bulb, as shown and described.

DESCRIPTION

FIG. 1 is a bottom perspective view of the cobra head lamp with small form factor electrodeless bulb showing the new design;

FIG. 2 is a bottom plan view thereof;

FIG. 3 is a top plan view thereof;

FIG. 4 is a side elevation view thereof;

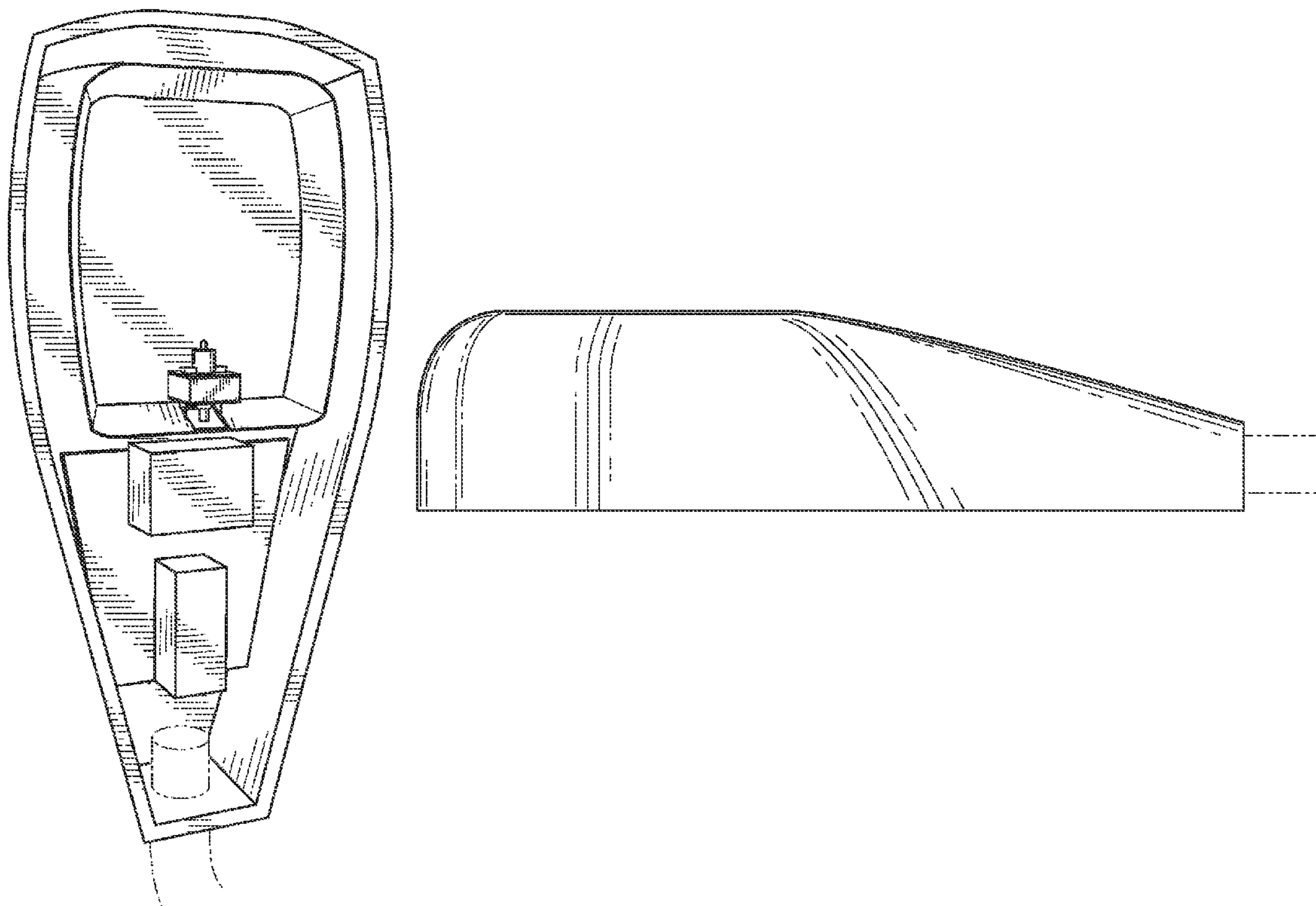
FIG. 5 is an opposite side elevation view thereof;

FIG. 6 is an end view thereof; and,

FIG. 7 is an opposite end view thereof.

The broken lines shown on the drawings depict environment only and form no part of the claimed design.

1 Claim, 4 Drawing Sheets



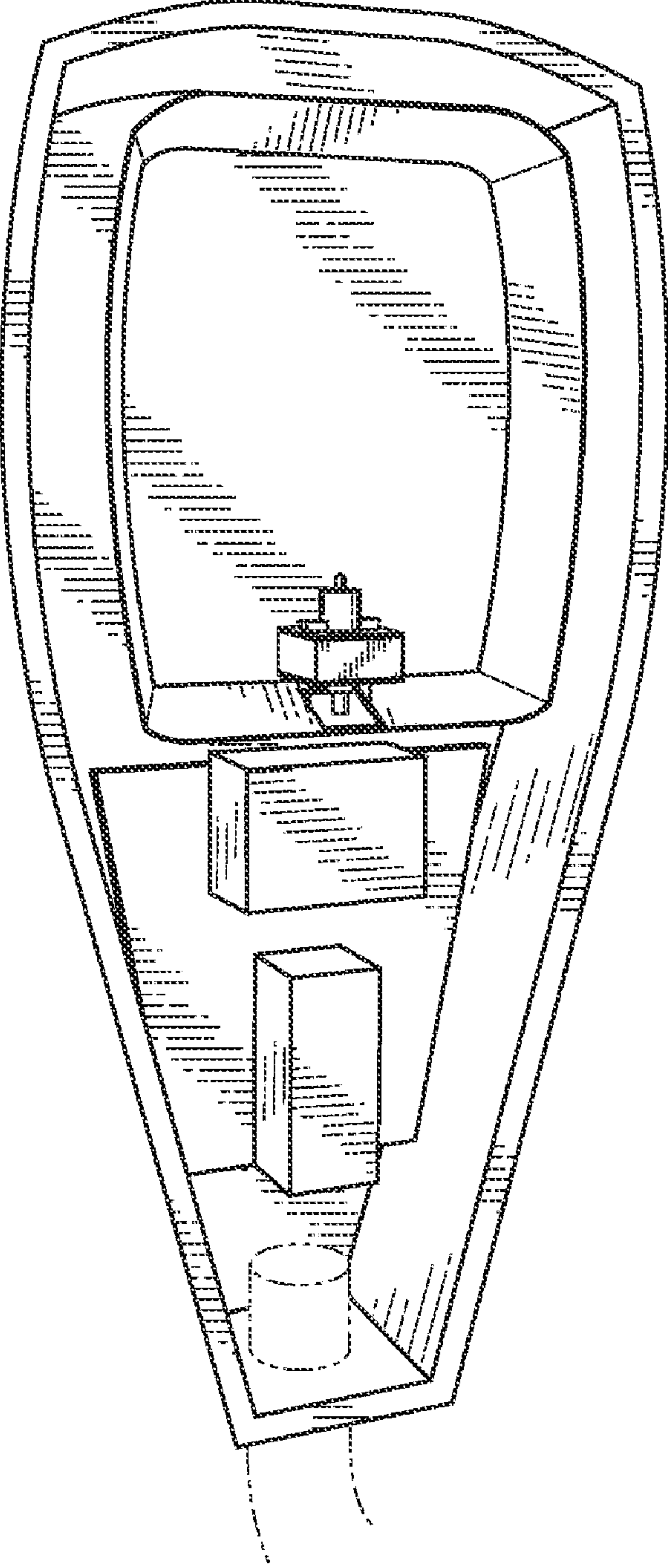


FIG. 1

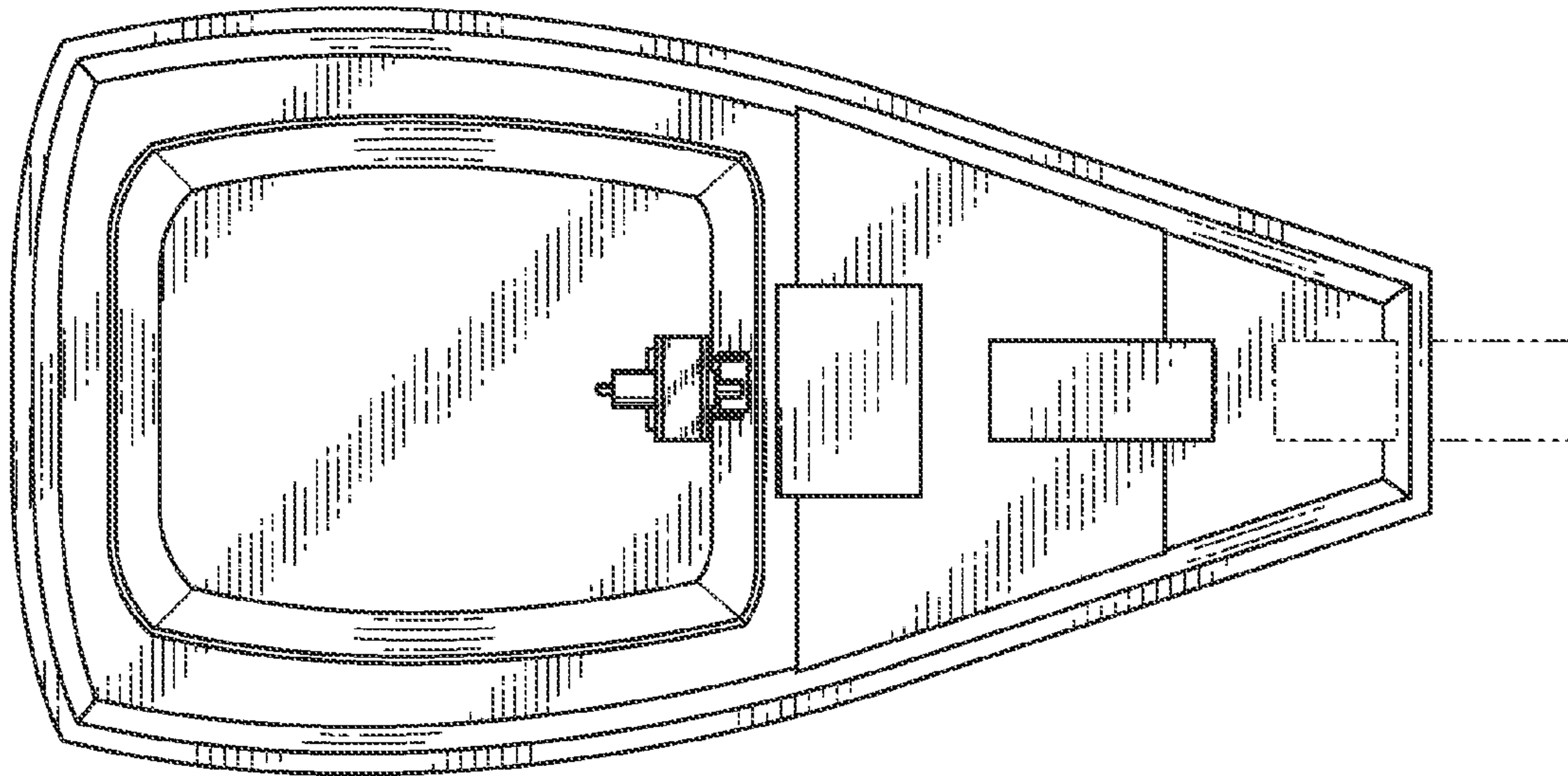


FIG. 2

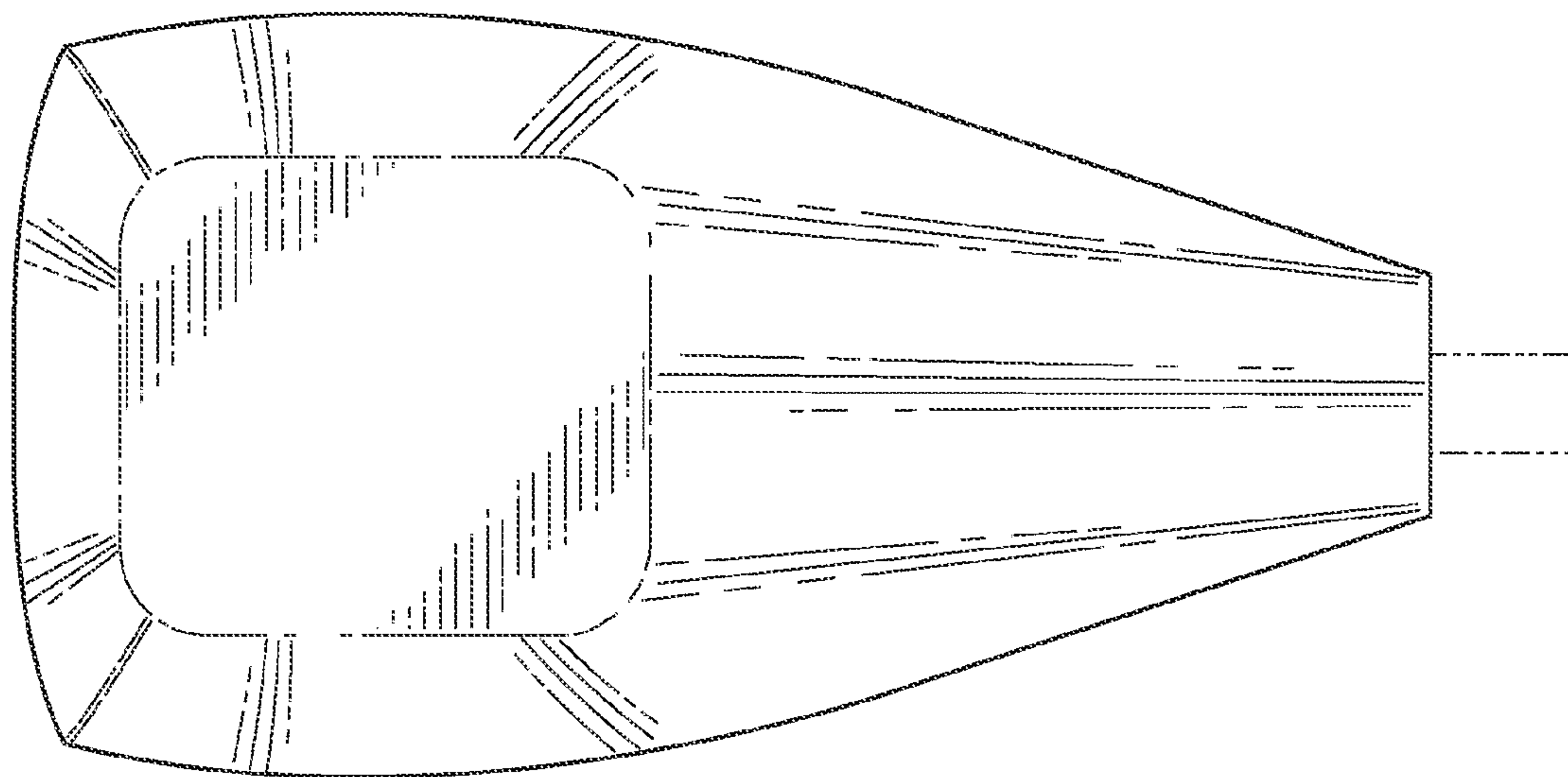


FIG. 3

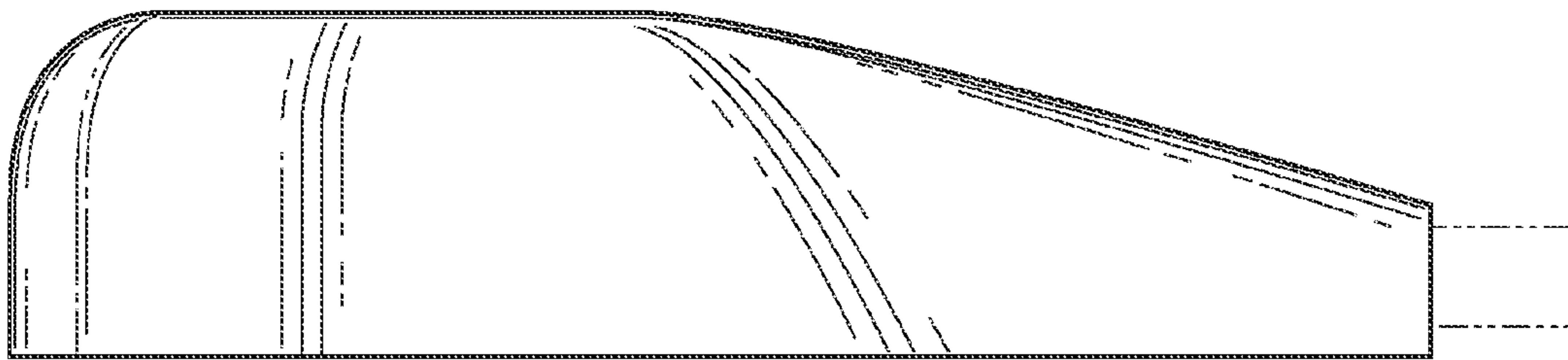


FIG. 4

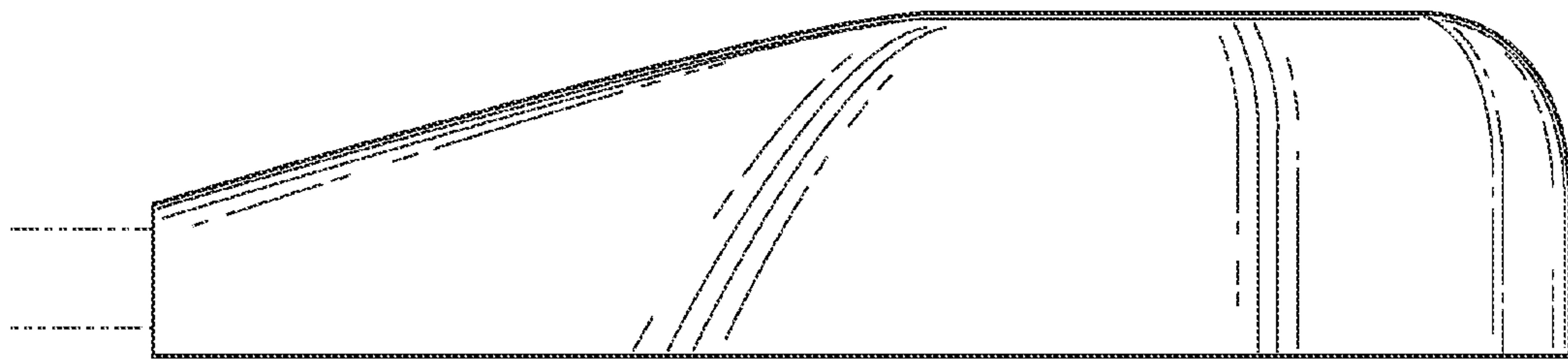


FIG. 5

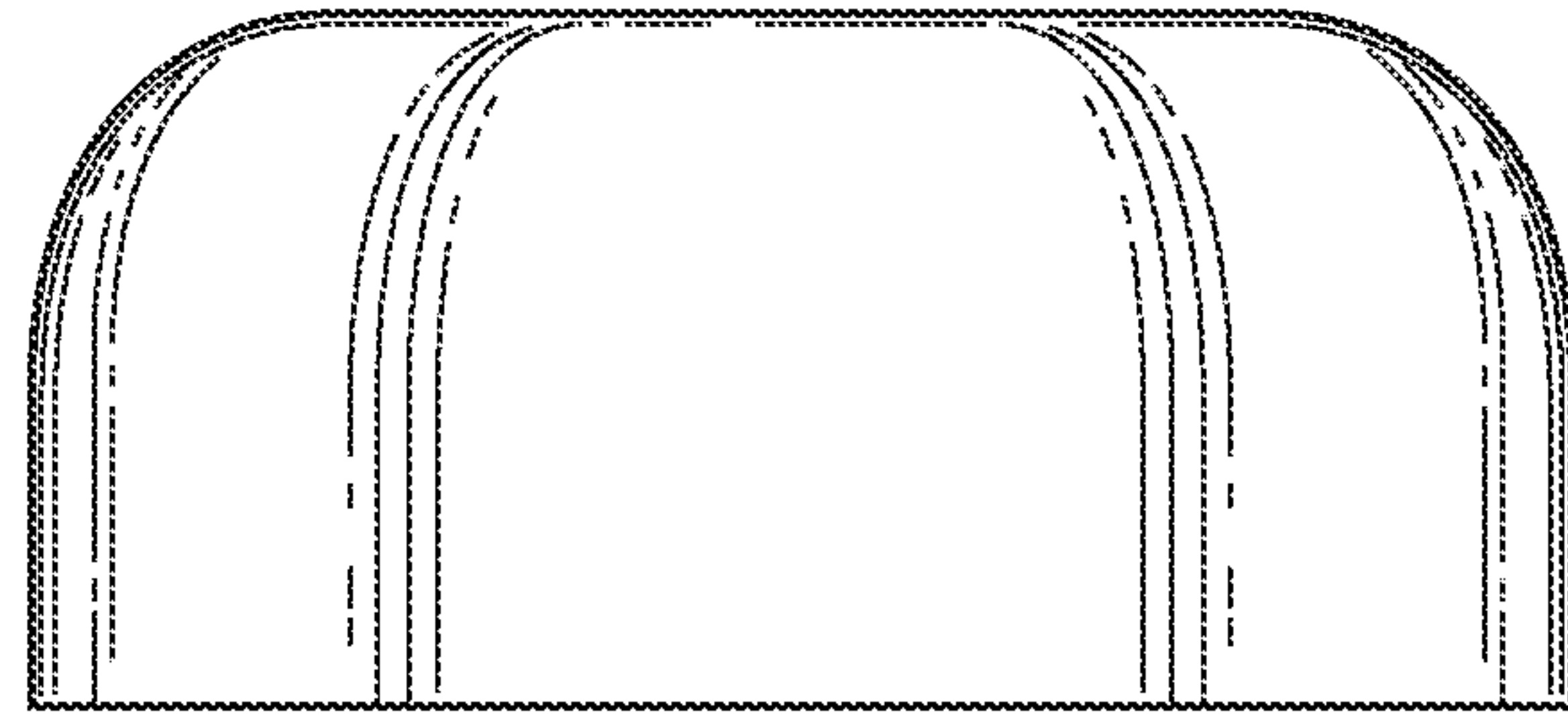


FIG. 6

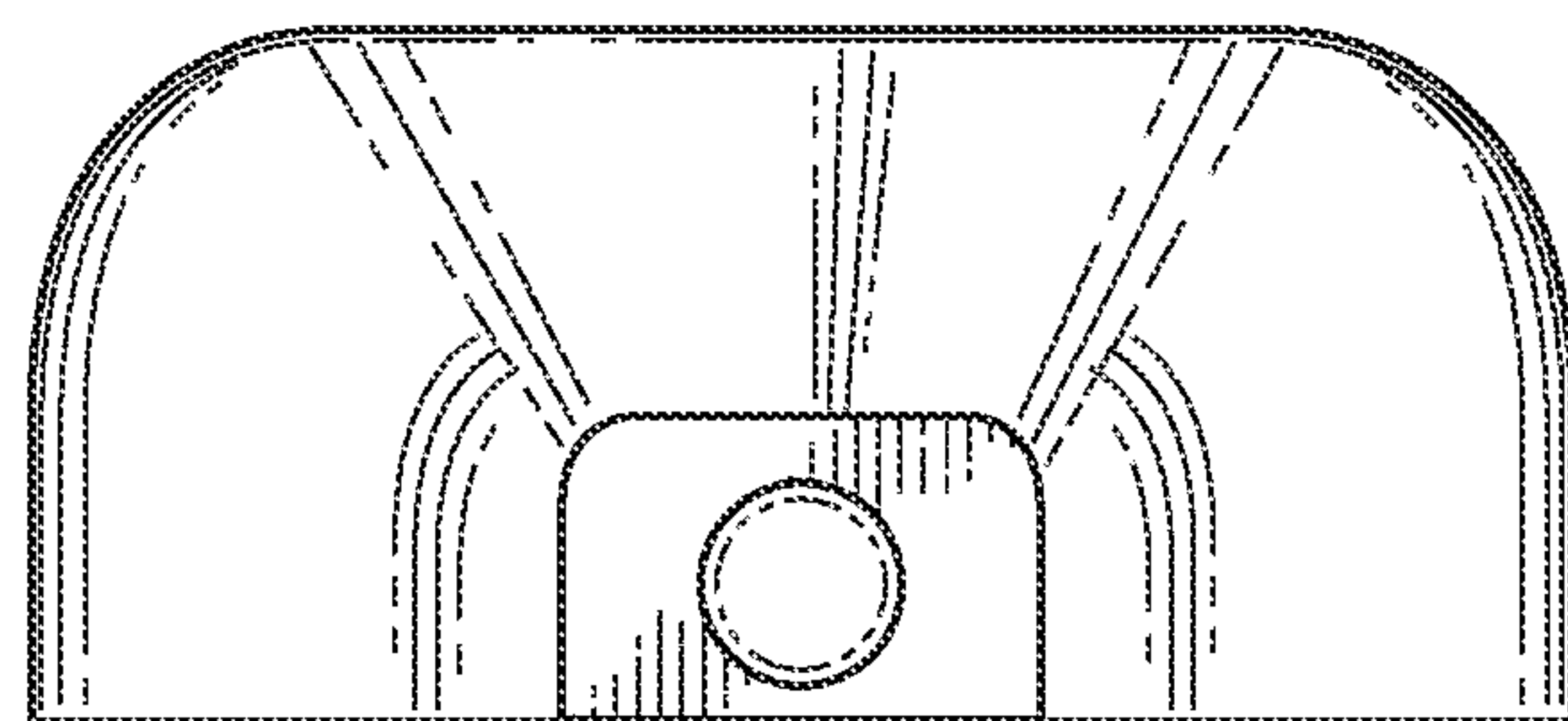


FIG. 7