



US00D612526S

(12) **United States Design Patent**
Lundin

(10) **Patent No.:** **US D612,526 S**
(45) **Date of Patent:** **** Mar. 23, 2010**

(54) **STREET LAMP POST WITH SMALL FORM FACTOR BULB**

(75) Inventor: **Erik H. M. Lundin**, Ventura, CA (US)

(73) Assignee: **Topanga Technologies, Inc.**, Canoga, CA (US)

(**) Term: **14 Years**

(21) Appl. No.: **29/330,626**

(22) Filed: **Jan. 10, 2009**

(51) **LOC (9) Cl.** **26-05**

(52) **U.S. Cl.** **D26/71**

(58) **Field of Classification Search** D26/67-72,
D26/85, 92; 362/145, 152, 183, 294, 373,
362/414, 431, 545

See application file for complete search history.

(56) **References Cited**

U.S. PATENT DOCUMENTS

- D37,742 S * 12/1905 Davis D26/68
- 2,645,440 A * 7/1953 Heistand 248/533
- D305,071 S * 12/1989 Tripp D26/138
- D323,408 S * 1/1992 Butler D26/138
- D377,230 S * 1/1997 Parris D26/69
- D423,131 S * 4/2000 Giese et al. D26/68
- D440,000 S * 4/2001 Milicia D26/68
- 6,367,953 B1 * 4/2002 Lee 362/249.16
- D464,018 S * 10/2002 Anderson D26/68
- D464,159 S * 10/2002 Peloquin D26/67
- D489,477 S * 5/2004 Maldonado D26/156

- D530,443 S * 10/2006 Rausch D26/69
- D555,280 S * 11/2007 Quintana-Creus et al. D26/71
- D557,853 S * 12/2007 Sandell D26/71
- D574,540 S * 8/2008 Citterio D26/68
- 2007/0159836 A1 * 7/2007 Huang et al. 362/431

OTHER PUBLICATIONS

Geo Lightstack from <http://woodhouse.co.uk> Mar. 25, 2009. (2 pages).*

Eurotique arm style#EAK4/1 EA-19 shown on p. 11 of the Antique Street Lamps Brochure from Acuity Brands. downloaded Dec. 21, 2008.*

* cited by examiner

Primary Examiner—Clare E Heflin

(74) *Attorney, Agent, or Firm*—Townsend and Townsend and Crew LLP

(57) **CLAIM**

The ornamental design for a street lamp post with small form factor bulb, as shown and described.

DESCRIPTION

FIG. 1 is a perspective view of the street lamp post with small form factor bulb showing the new design;

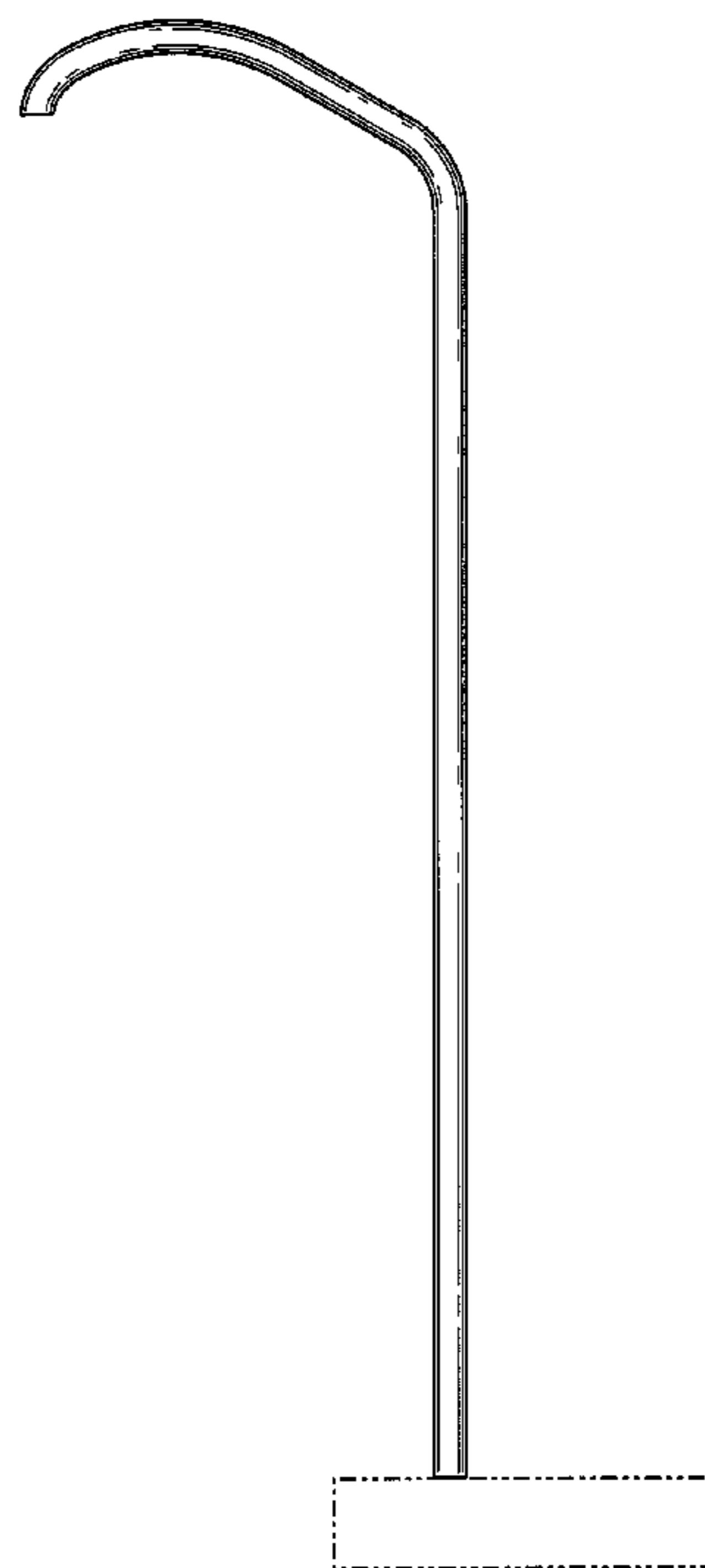
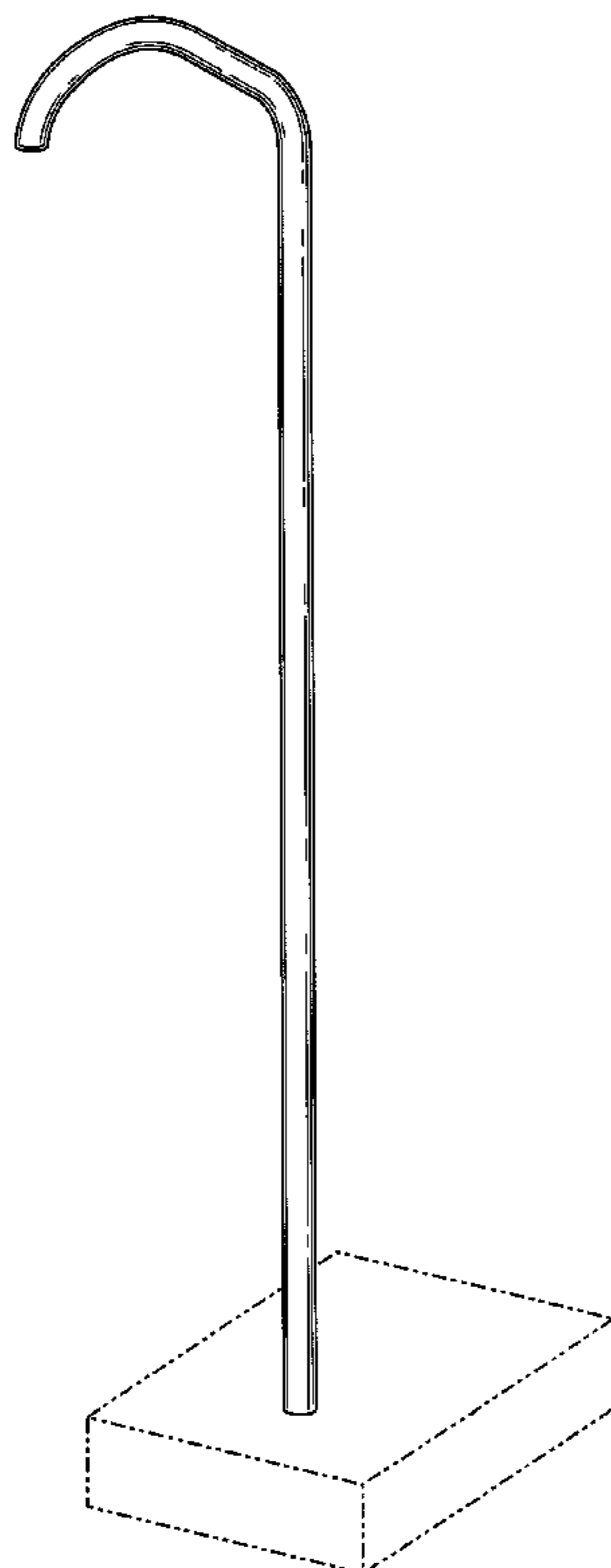
FIG. 2 is another perspective view thereof;

FIG. 3 is an elevation view thereof; and,

FIG. 4 is a top plan view thereof.

The broken lines shown on the drawings depict environment only and form no part of the claimed design.

1 Claim, 3 Drawing Sheets



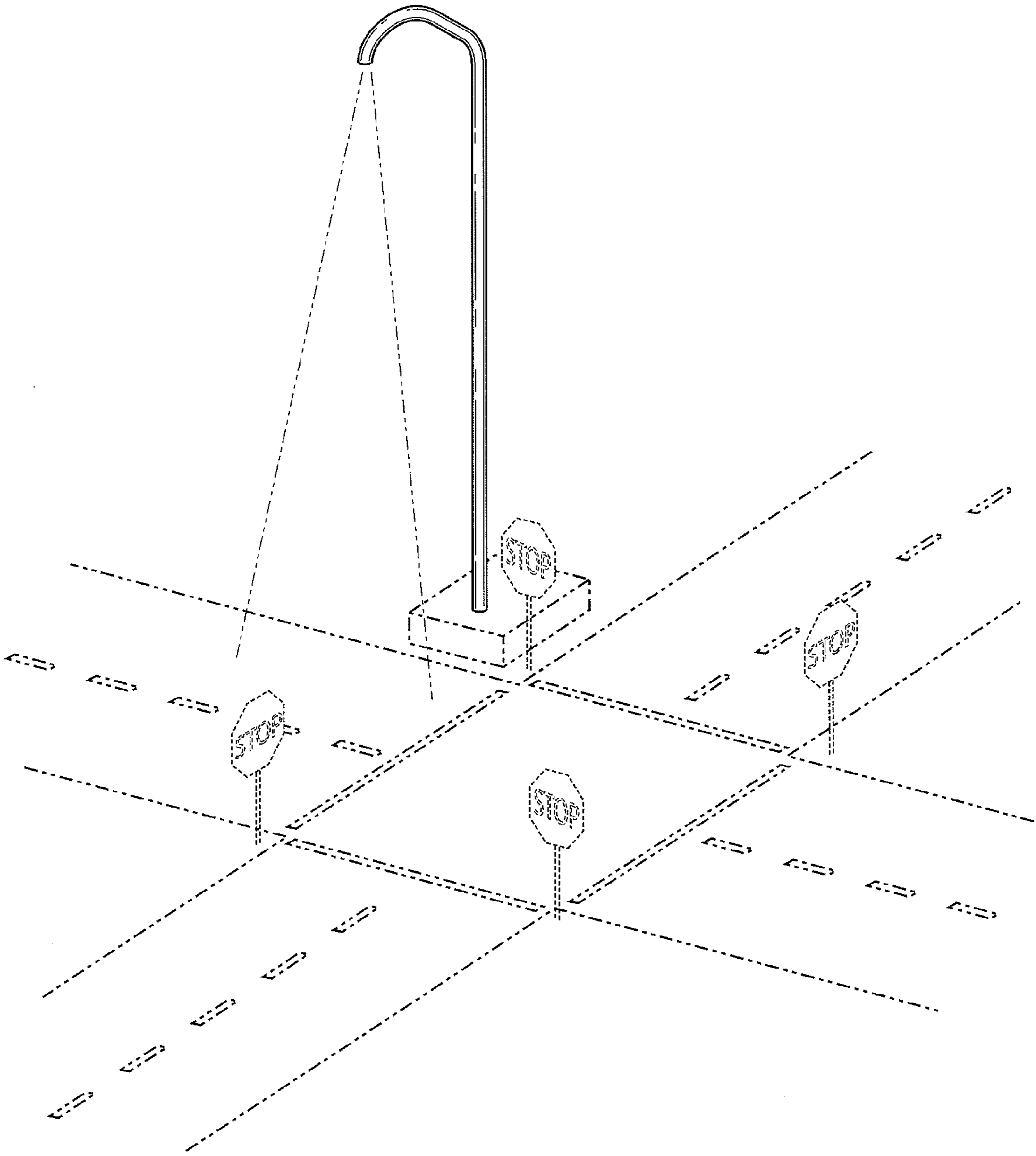


FIG. 1

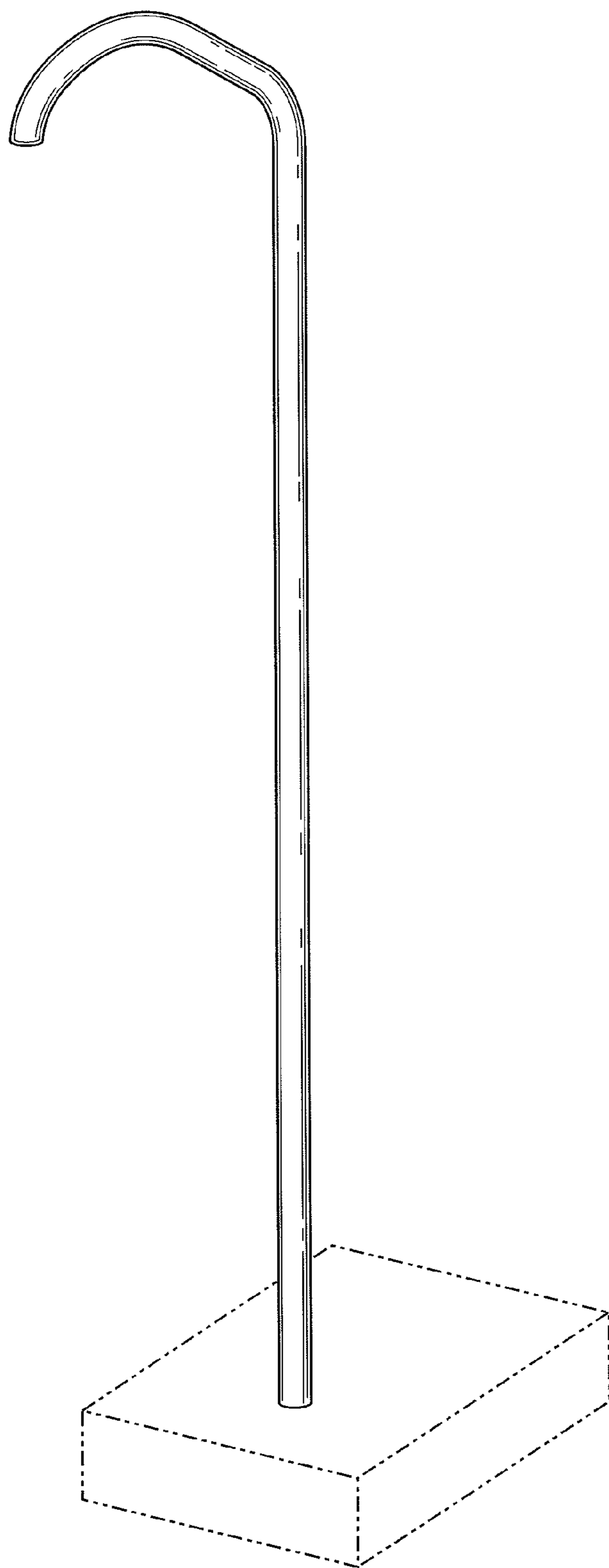


FIG. 2

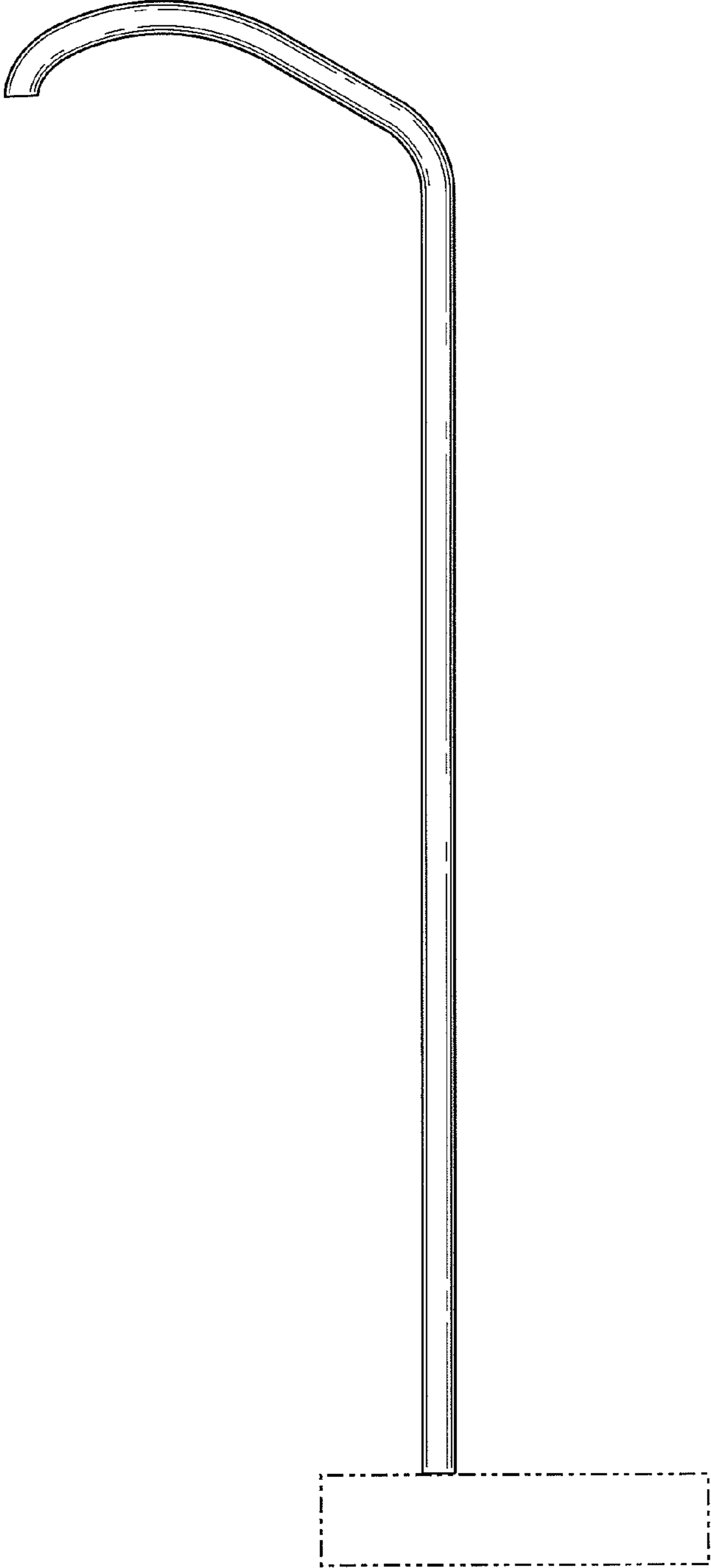


FIG. 3

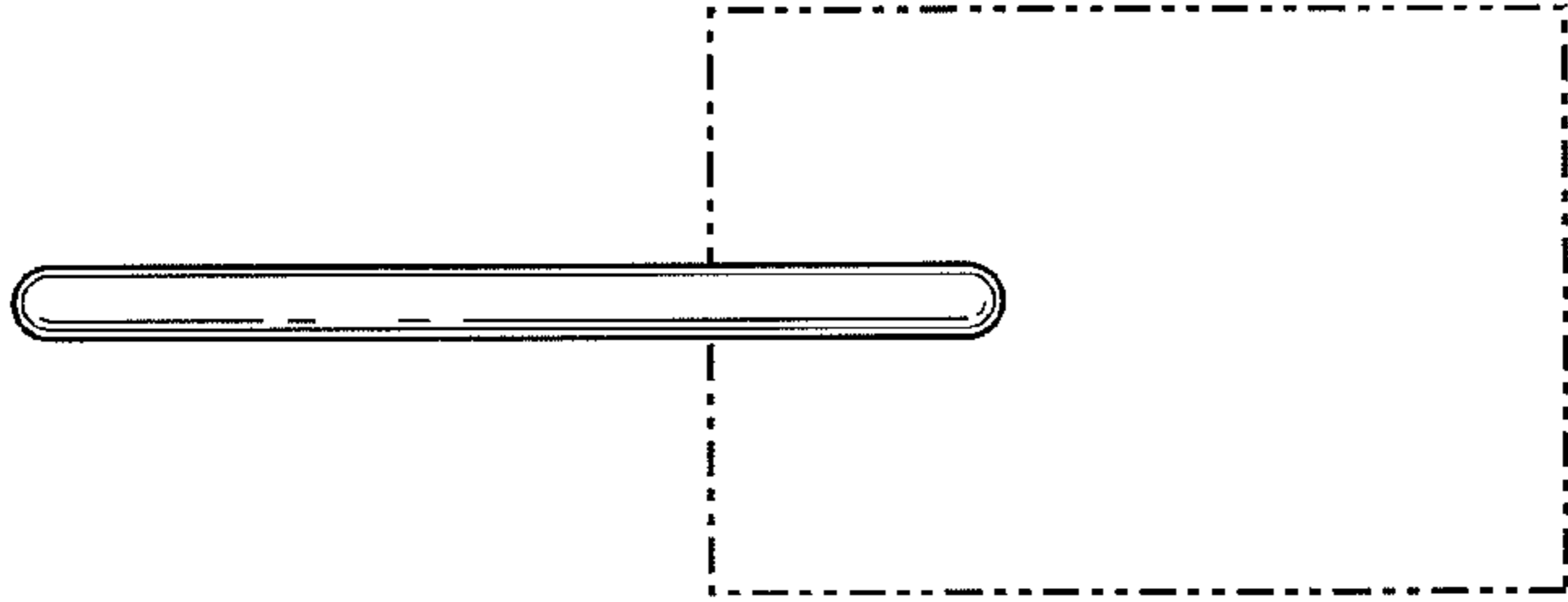


FIG. 4