



US00D612525S

(12) **United States Design Patent**  
**Huang**

(10) **Patent No.:** **US D612,525 S**  
(45) **Date of Patent:** **\*\* Mar. 23, 2010**

(54) **TABLE LAMP**

(75) Inventor: **Huo-Tu Huang**, Taipei Hsien (TW)

(73) Assignee: **Huangslite Industrial Co., Ltd.**, Taipei Hsien (TW)

(\*\*) Term: **14 Years**

(21) Appl. No.: **29/347,094**

(22) Filed: **Sep. 21, 2009**

(51) **LOC (9) Cl.** ..... **26-05**

(52) **U.S. Cl.** ..... **D26/63; D26/65**

(58) **Field of Classification Search** ..... D26/61-65,  
D26/107; 362/269, 275, 285, 371, 410, 413,  
362/414, 418, 419, 427

See application file for complete search history.

(56) **References Cited**

**U.S. PATENT DOCUMENTS**

D382,362 S *	8/1997	Huang	.....	D26/65
D441,476 S *	5/2001	Mendelsohn et al.	.....	D26/63
6,270,238 B1 *	8/2001	Mendelsohn et al.	.....	362/287
D467,378 S *	12/2002	Wang	.....	D26/65
D500,380 S *	12/2004	Chen	.....	D26/65

D555,274 S *	11/2007	Iai et al.	.....	D26/65
D599,930 S *	9/2009	Huang	.....	D26/63
D600,388 S *	9/2009	Huang	.....	D26/65
2004/0105271 A1 *	6/2004	Chen	.....	362/402

\* cited by examiner

*Primary Examiner*—Clare E Heflin

(74) *Attorney, Agent, or Firm*—Bacon & Thomas, PLLC

(57) **CLAIM**

I claim the ornamental design for a table lamp, as shown and described.

**DESCRIPTION**

FIG. 1. is a perspective view of table lamp showing my new design

FIG. 2. is a front elevational view thereof;

FIG. 3. is a rear elevational view thereof;

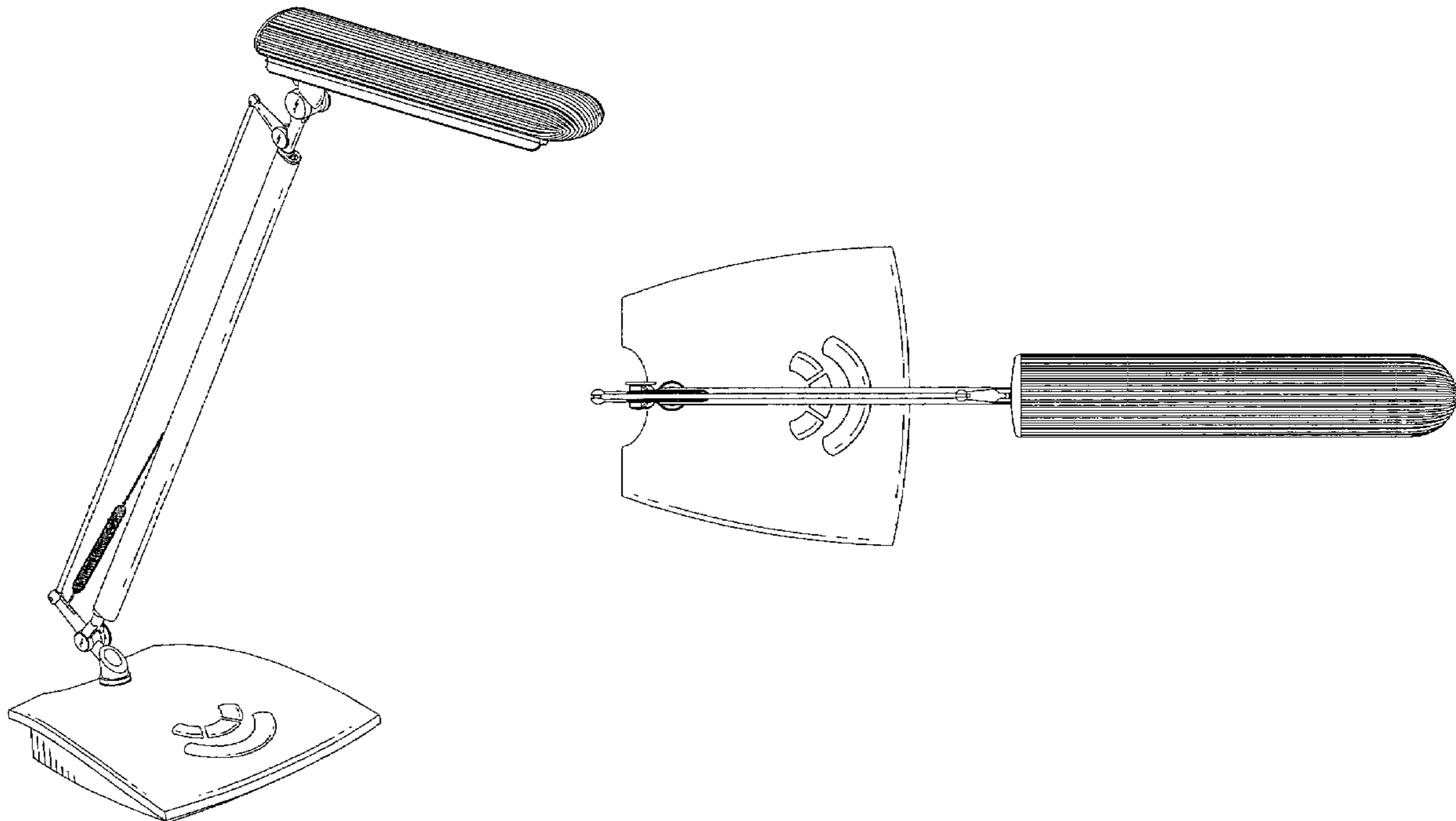
FIG. 4. is a left side elevational view thereof;

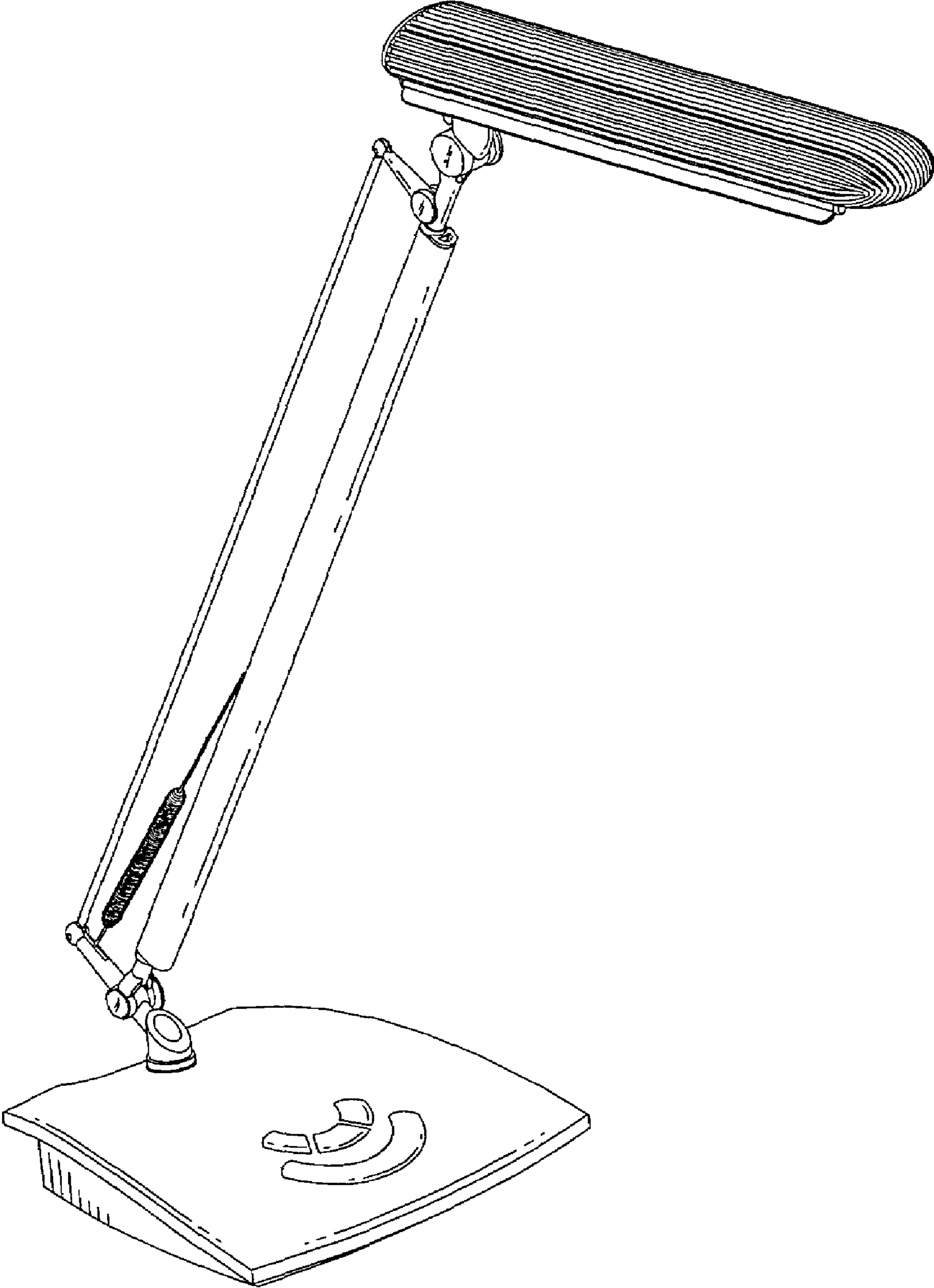
FIG. 5. is a right side elevational view thereof;

FIG. 6. is a top plan view thereof; and,

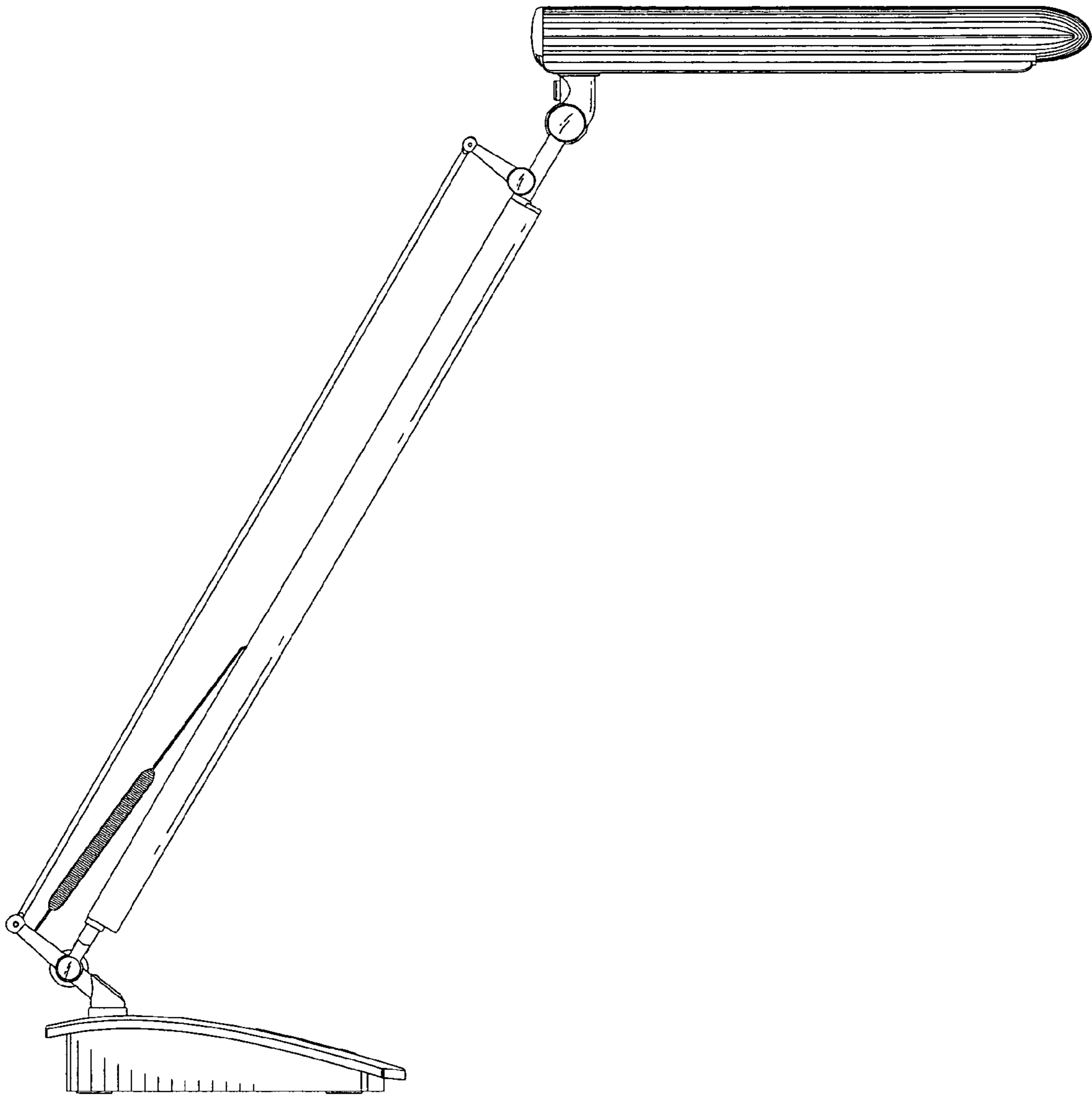
FIG. 7. is a bottom plan view thereof.

**1 Claim, 6 Drawing Sheets**

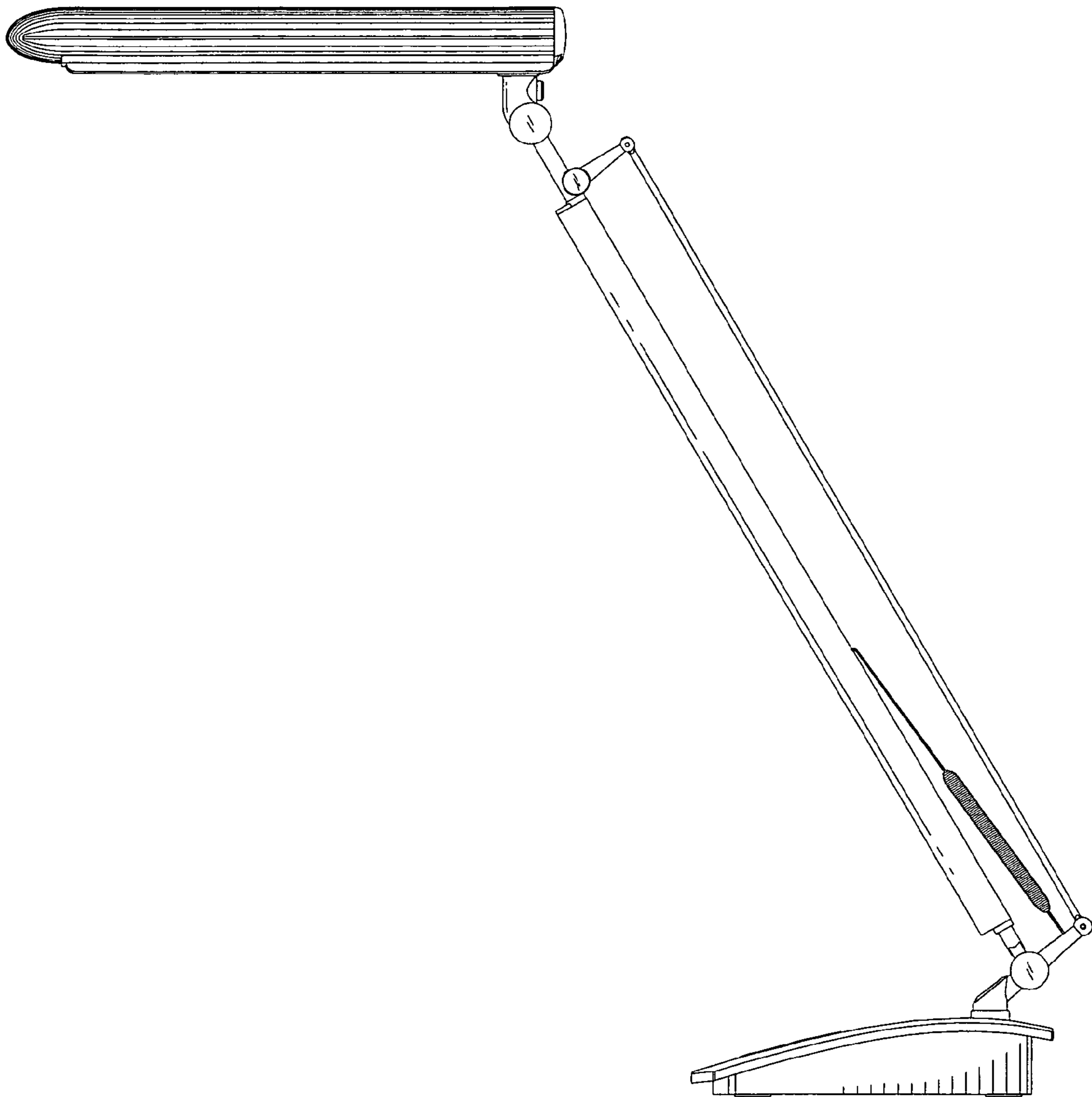




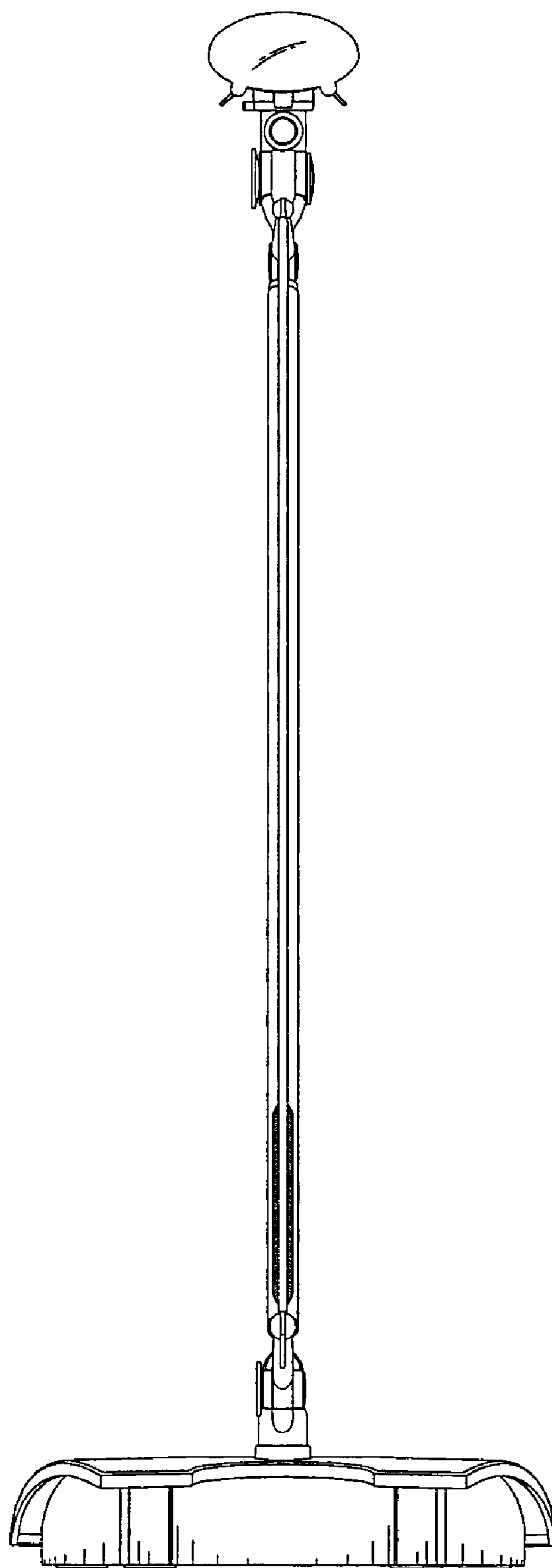
**FIG. 1**



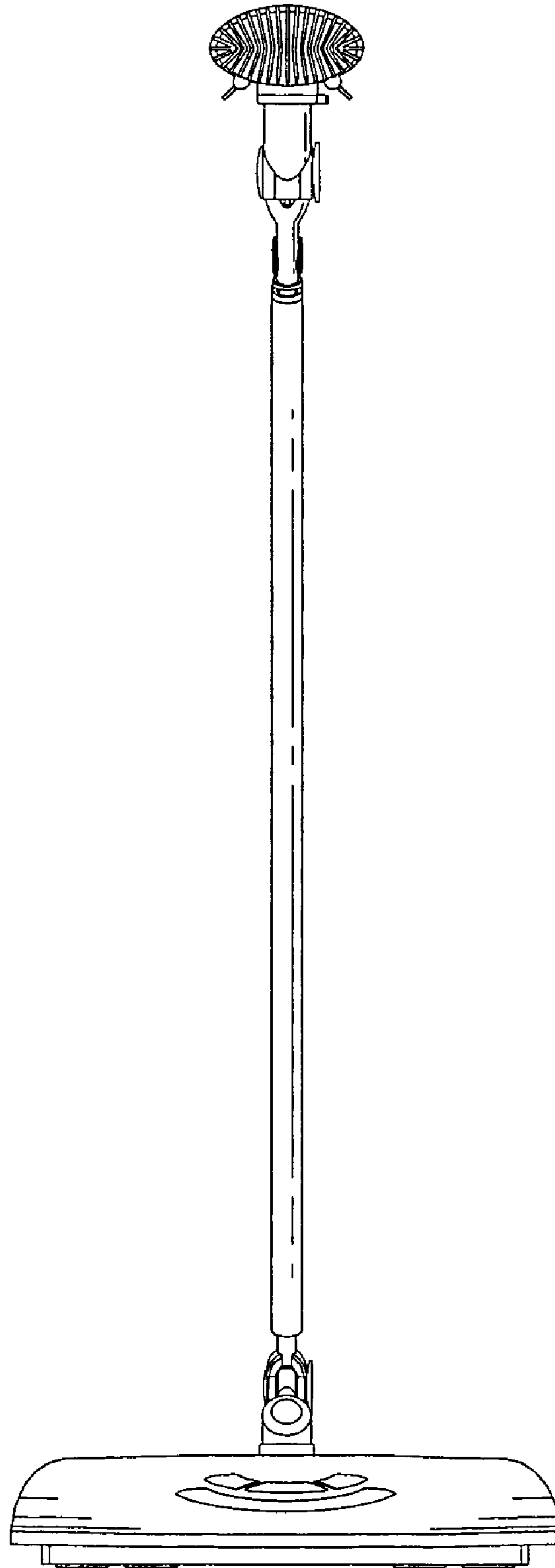
**FIG.2**



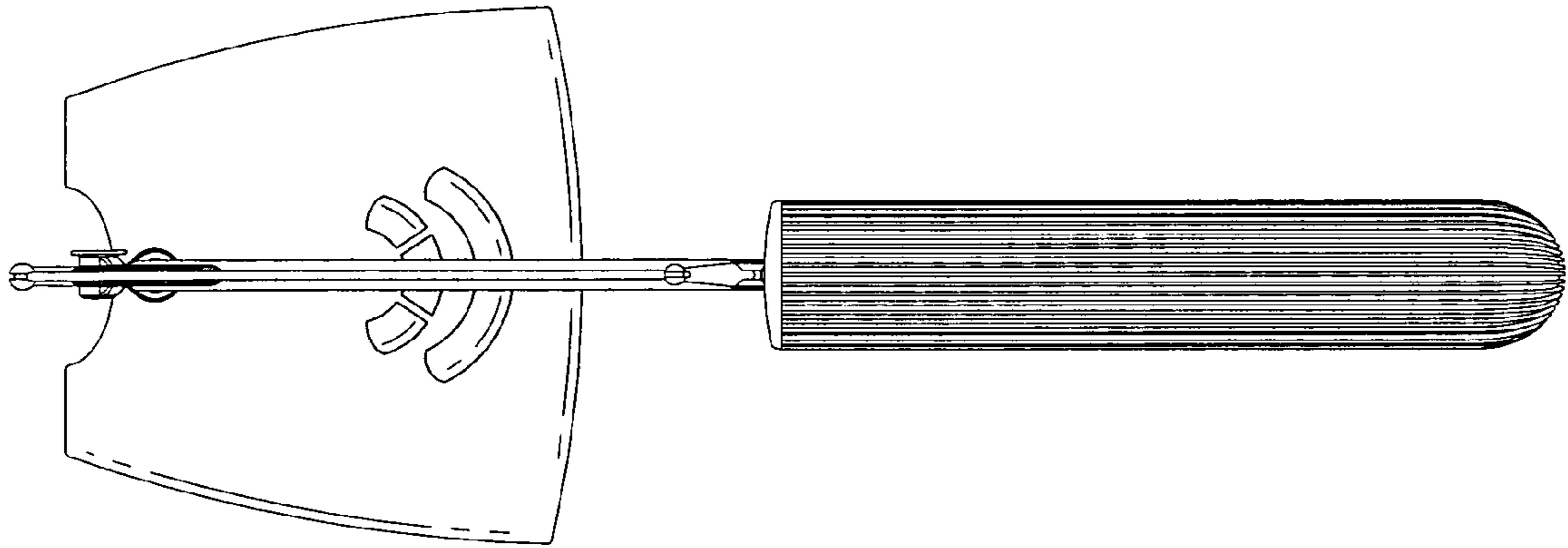
**FIG.3**



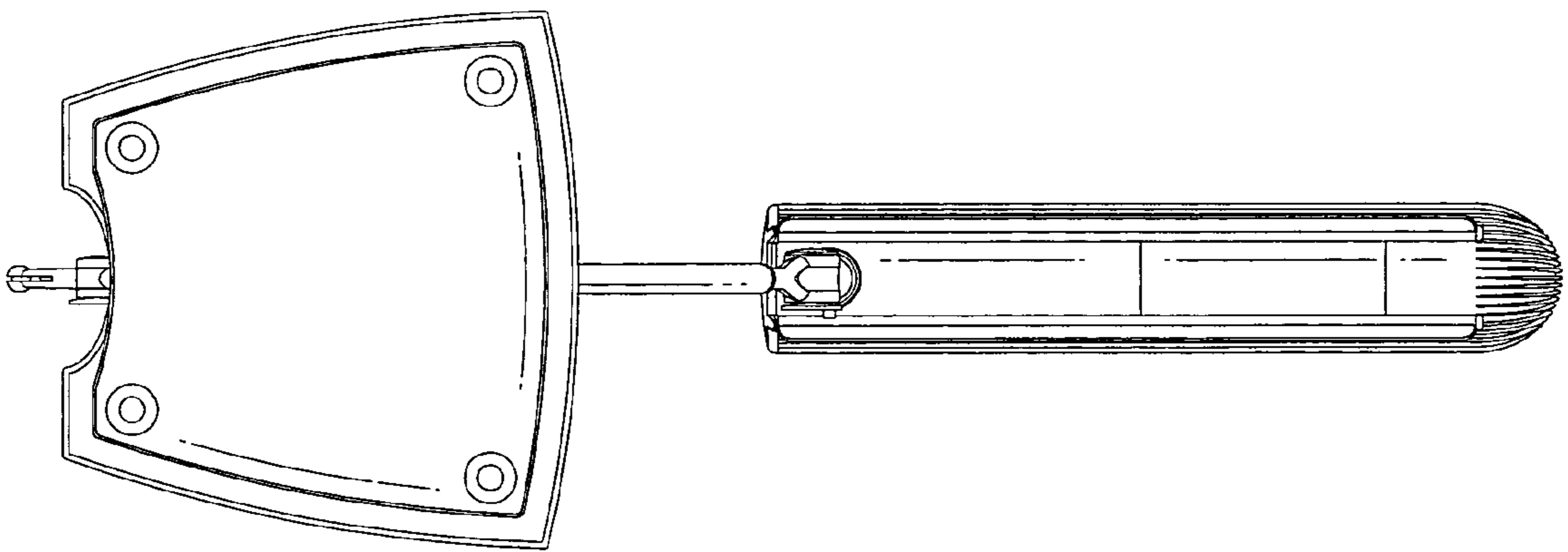
**FIG. 4**



**FIG. 5**



*FIG. 6*



*FIG. 7*