



US00D612524S

(12) **United States Design Patent**
Booher

(10) **Patent No.:** **US D612,524 S**
(45) **Date of Patent:** **** Mar. 23, 2010**

(54) **LIGHT UNIT FOR A FIREMAN'S HELMET**

(76) **Inventor:** **Dale R. Booher**, 3857 Waterbury Dr.,
Kettering, OH (US) 45439

(**) **Term:** **14 Years**

(21) **Appl. No.:** **29/314,680**

(22) **Filed:** **Apr. 20, 2009**

(51) **LOC (9) Cl.** **26-02**

(52) **U.S. Cl.** **D26/39**

(58) **Field of Classification Search** D26/37,
D26/38, 39, 45, 46, 49; 362/103, 105, 106,
362/109, 110, 111, 112, 114, 157, 158, 185,
362/194-196, 200-208

See application file for complete search history.

(56) **References Cited**

U.S. PATENT DOCUMENTS

D200,521 S *	3/1965	Jepson	D28/13
4,406,040 A *	9/1983	Cannone	24/3.12
D353,012 S *	11/1994	Mihavetz	D26/39
5,438,494 A	8/1995	Harlan		
5,482,455 A *	1/1996	Salter	431/253
D371,214 S *	6/1996	Terry, Sr.	D26/49
5,658,065 A *	8/1997	Jamieson	362/106
5,664,868 A	9/1997	Montalbano et al.		
5,738,431 A *	4/1998	Lary	362/106
6,206,543 B1 *	3/2001	Henry	362/191
6,574,901 B1 *	6/2003	Solinsky et al.	42/146
6,616,294 B1	9/2003	Henry		

6,908,216 B2 *	6/2005	Love	362/253
7,156,536 B1	1/2007	McCorkle		
7,493,722 B2 *	2/2009	Howe et al.	42/146
7,523,583 B2 *	4/2009	Cheng	42/146
7,614,760 B2 *	11/2009	Sharrah et al.	362/111

* cited by examiner

Primary Examiner—Ian Simmons

Assistant Examiner—Carissa C Fitts

(74) *Attorney, Agent, or Firm*—Jacox, Meckstroth & Jenkins

(57) **CLAIM**

The ornamental design for a light unit for a fireman's helmet, as shown and described.

DESCRIPTION

FIG. 1 is a perspective view of a light unit for a fireman's helmet showing my new design;

FIG. 2 is an enlarged perspective view thereof;

FIG. 3 is a top view thereof, the bottom view being a mirror image;

FIG. 4 is a side view thereof;

FIG. 5 is an opposite side view thereof;

FIG. 6 is a front view thereof; and,

FIG. 7 is a rear view thereof.

The broken lines in FIG. 1 show a fireman's helmet and form no part of the claimed design.

1 Claim, 2 Drawing Sheets

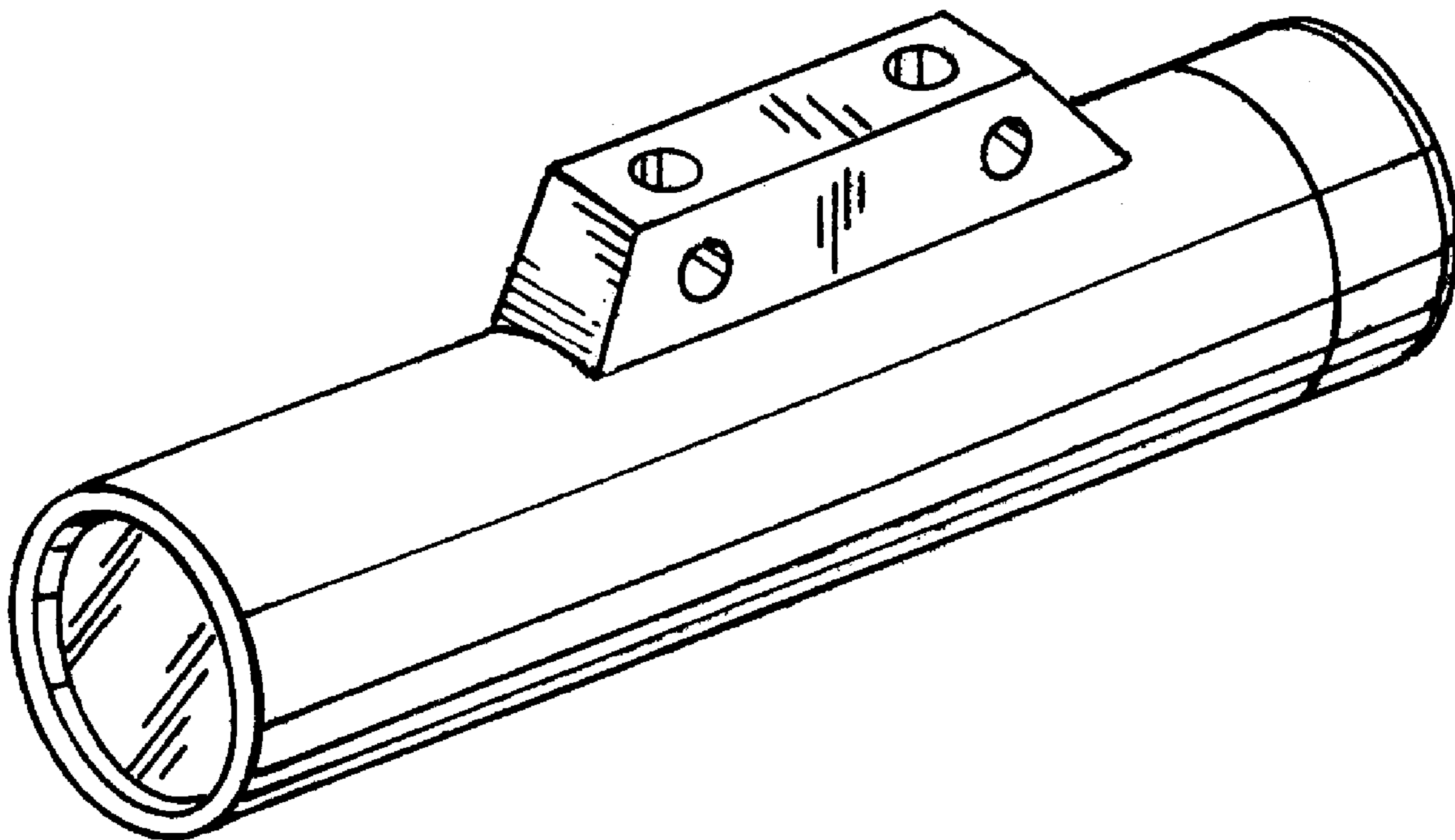


FIG-1

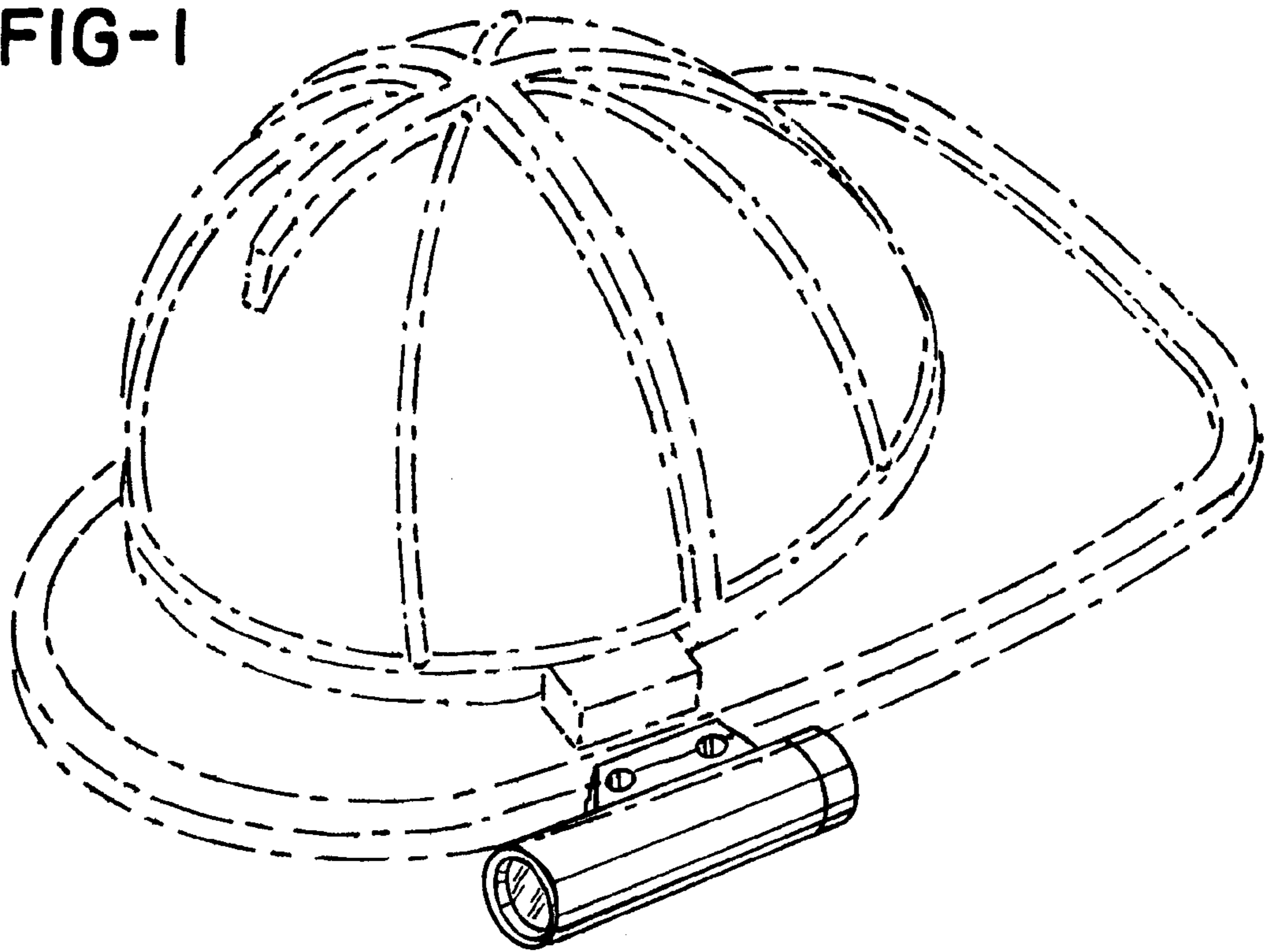


FIG-2

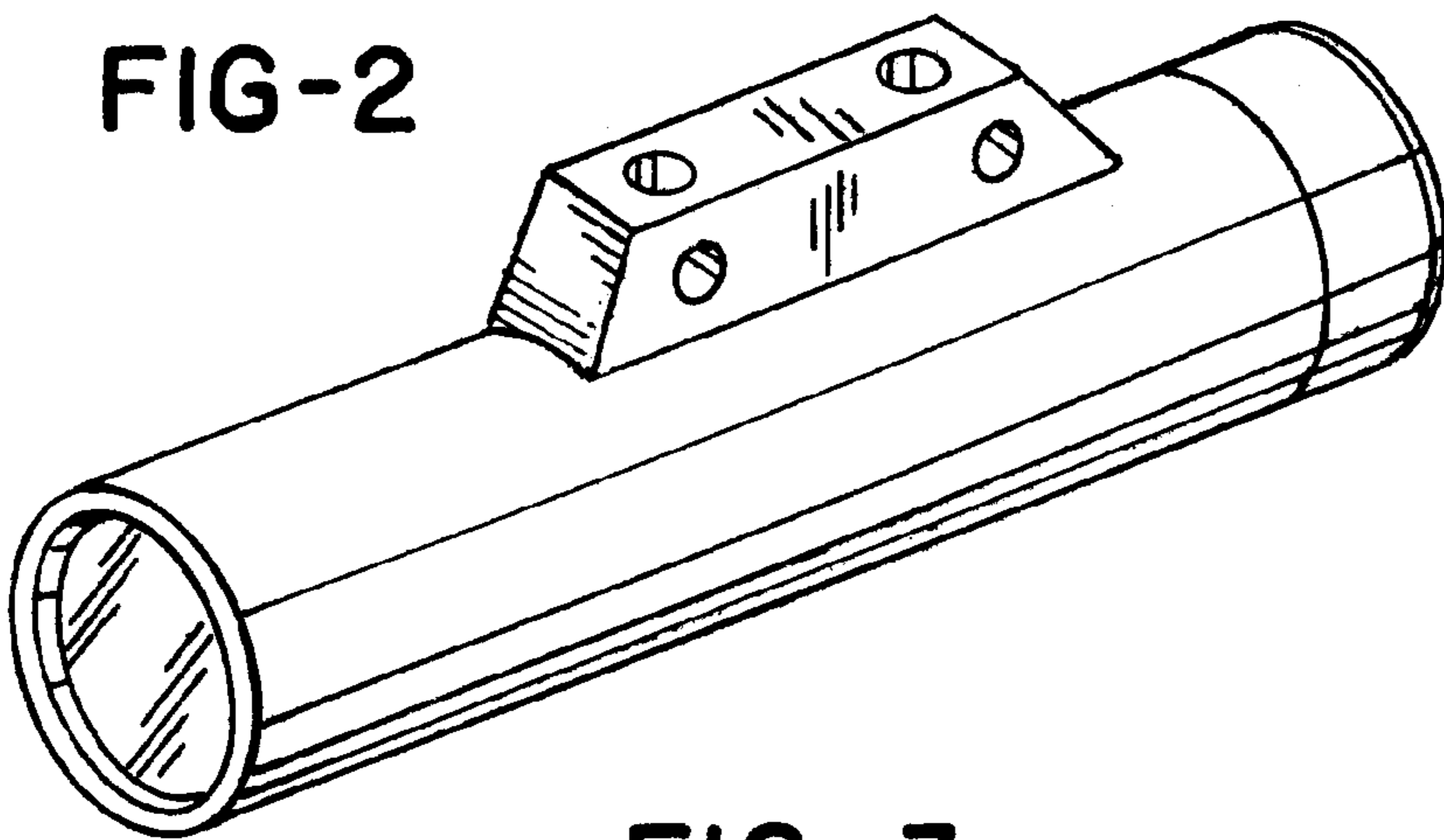


FIG-3

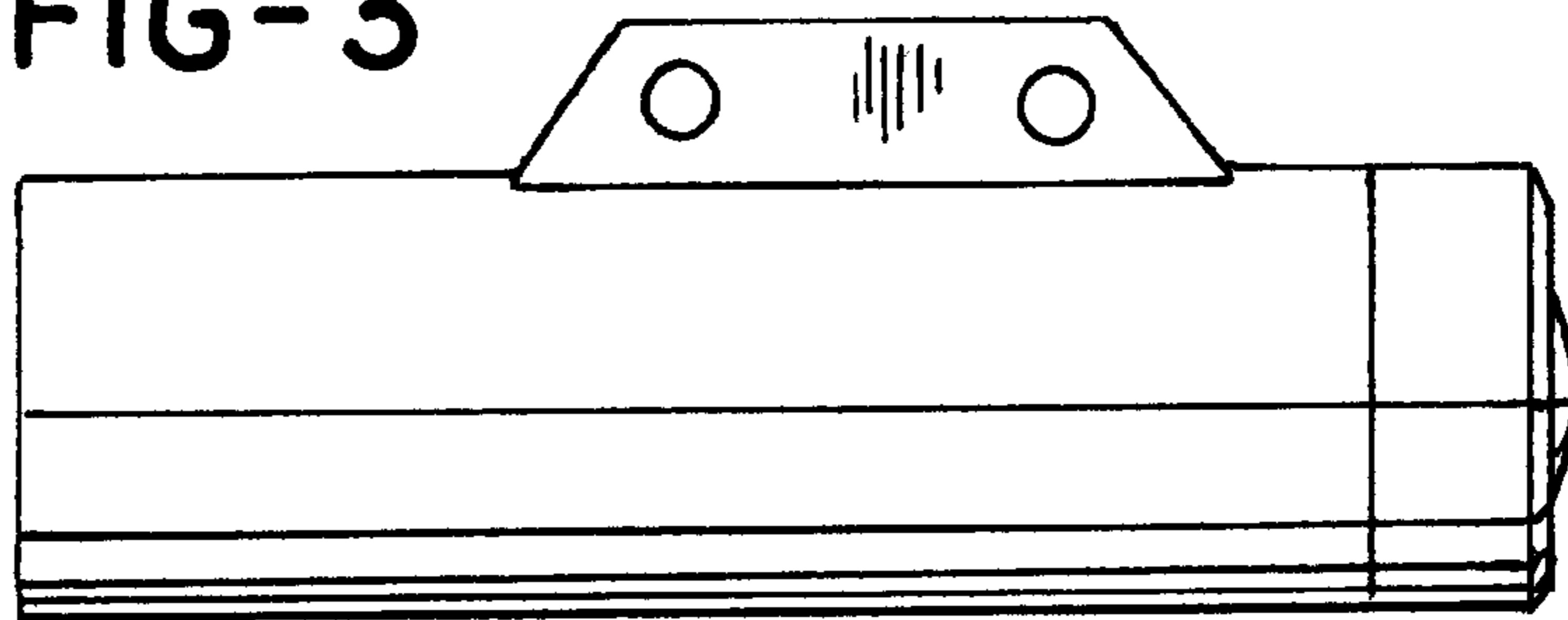


FIG-4

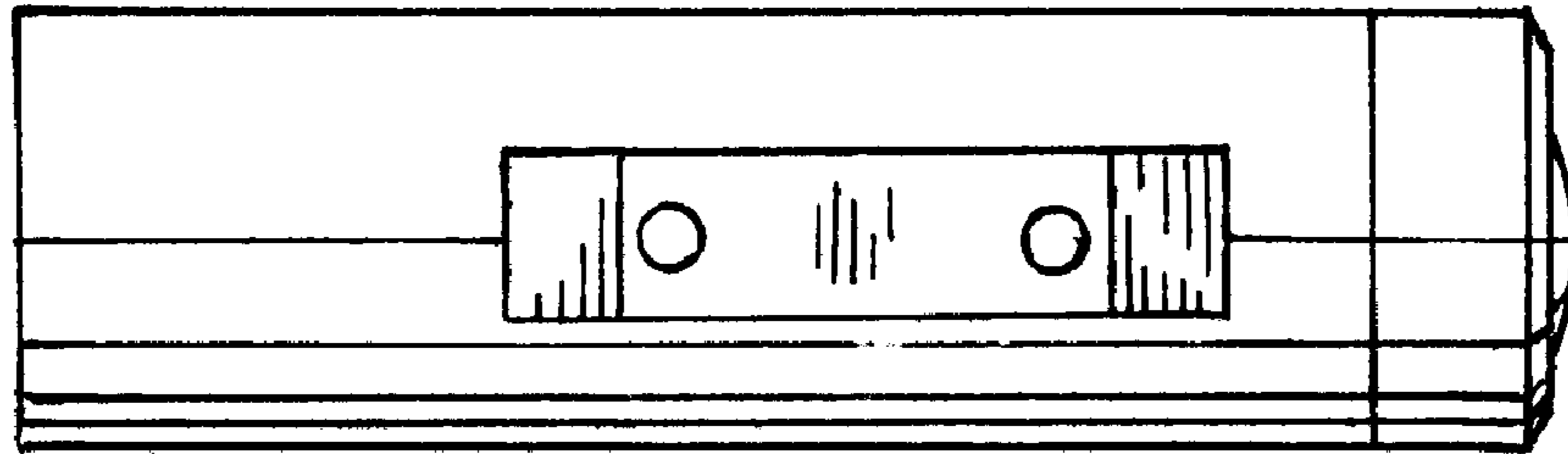


FIG-5

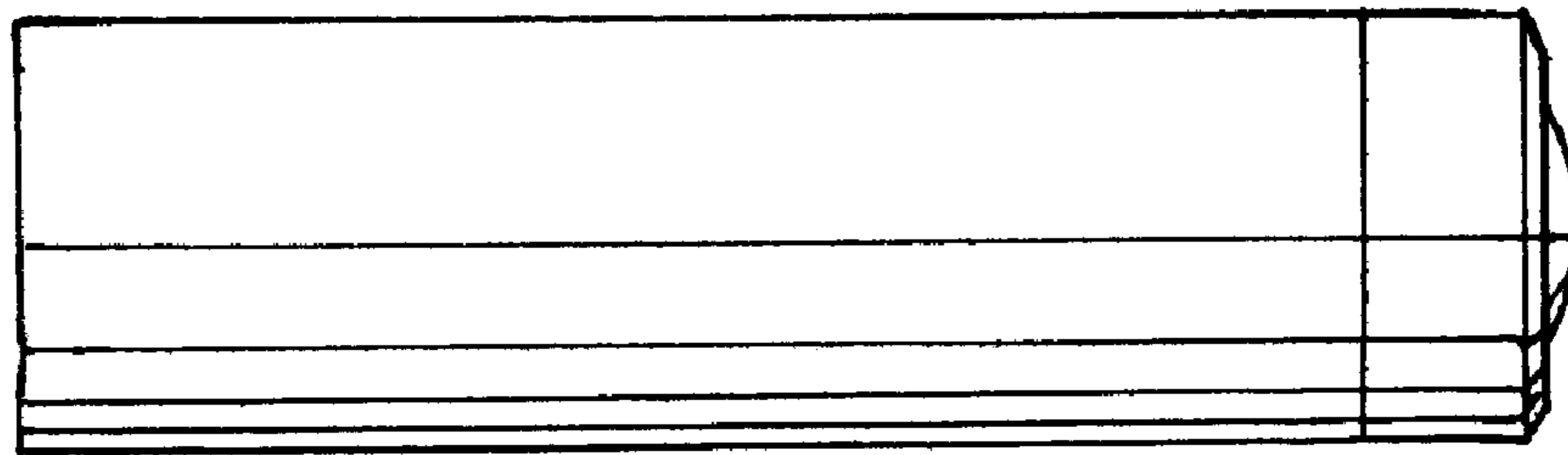


FIG-6

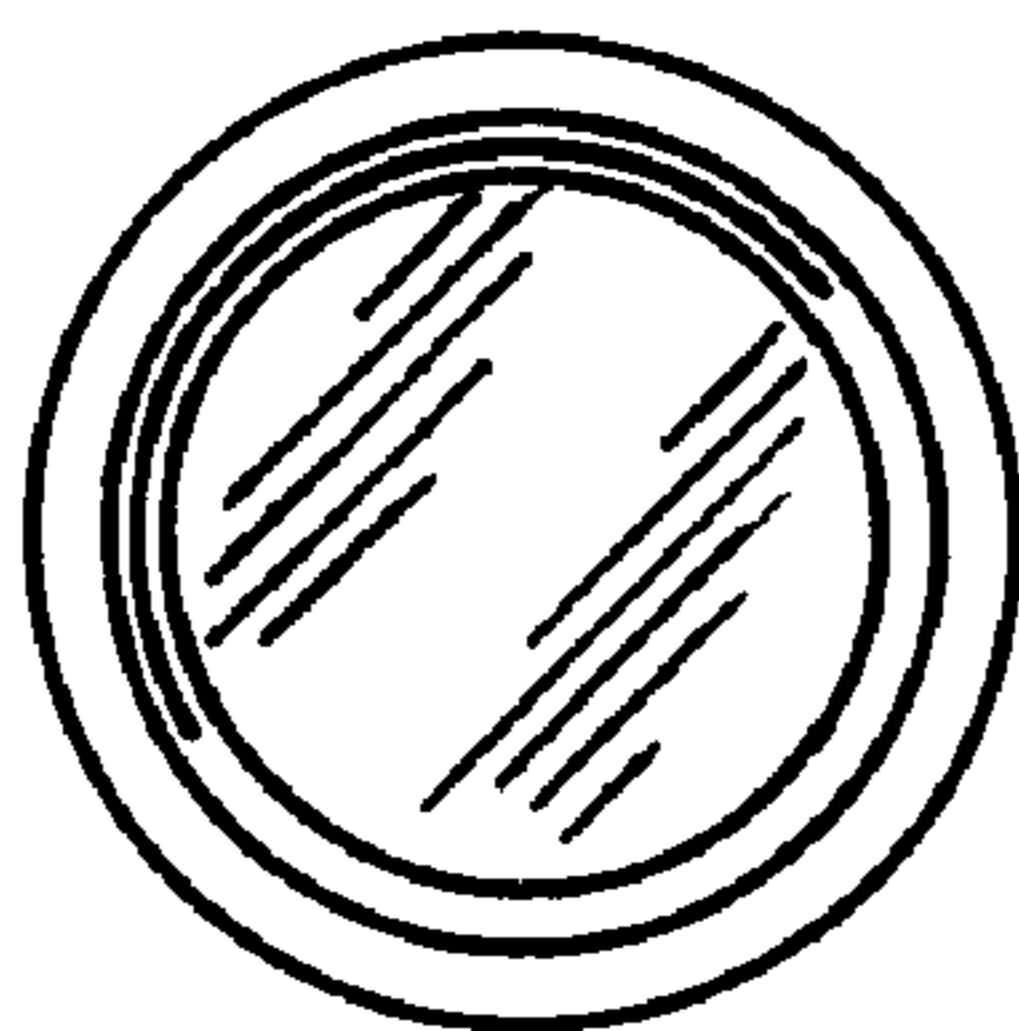


FIG-7

