



US00D612523S

(12) **United States Design Patent**  
**Peng**

(10) **Patent No.:** **US D612,523 S**

(45) **Date of Patent:** **\*\* Mar. 23, 2010**

(54) **LED PORTABLE NAVIGATION LIGHT**

D581,568 S \* 11/2008 Bertken ..... D26/40  
D583,492 S \* 12/2008 Jen ..... D26/40

(76) Inventor: **I-Sin Peng**, No. 410, Sec. 2, Henan Rd.,  
Situn District, Taichung City 407 (TW)

\* cited by examiner

(\*\*) Term: **14 Years**

*Primary Examiner*—Ian Simmons

*Assistant Examiner*—Carissa C Fitts

(21) Appl. No.: **29/339,999**

(74) *Attorney, Agent, or Firm*—Jackson IPG PLLC

(22) Filed: **Jul. 11, 2009**

(57) **CLAIM**

(51) **LOC (9) Cl.** ..... **26-02**

The ornamental design for a LED portable navigation light, as shown and described.

(52) **U.S. Cl.** ..... **D26/37**

(58) **Field of Classification Search** ..... D26/37,  
D26/38, 39, 40, 46, 49, 50, 51, 56; 362/157,  
362/158, 184, 186, 187, 194–196, 202, 204–206,  
362/208, 253

**DESCRIPTION**

See application file for complete search history.

FIG. 1 is a rear elevation view thereof;

FIG. 2 is a front elevation view thereof;

FIG. 3 is a left side view thereof;

FIG. 4 is a right side view thereof;

FIG. 5 is a top plan view thereof;

FIG. 6 is a bottom plan view thereof; and,

(56) **References Cited**

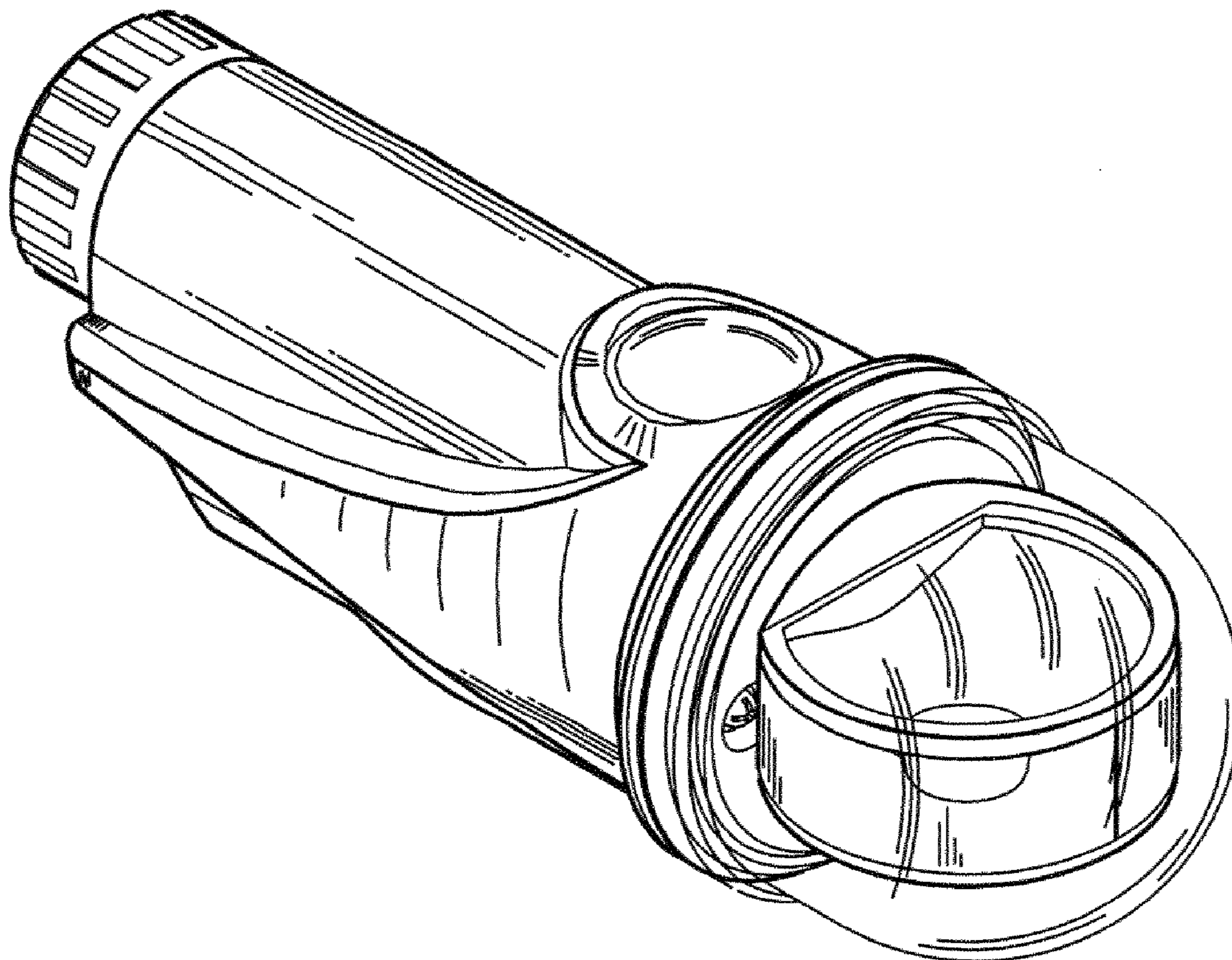
U.S. PATENT DOCUMENTS

|              |         |                 |       |        |
|--------------|---------|-----------------|-------|--------|
| D403,093 S * | 12/1998 | Tseng           | ..... | D26/38 |
| D423,704 S * | 4/2000  | Man             | ..... | D26/46 |
| D426,906 S * | 6/2000  | Nakagawa et al. | ..... | D26/49 |
| D472,006 S * | 3/2003  | Fritz           | ..... | D26/49 |
| D479,353 S * | 9/2003  | Solfeldt        | ..... | D26/49 |
| D564,684 S * | 3/2008  | Leung et al.    | ..... | D26/37 |
| D567,420 S * | 4/2008  | Ho              | ..... | D26/49 |
| D568,507 S * | 5/2008  | Shiu            | ..... | D26/37 |

FIG. 7 is a perspective view of a LED portable navigation light showing my new design; and,

FIG. 8 shows the application of the present invention, where those indicated by broken lines are not claimed in the present invention.

**1 Claim, 5 Drawing Sheets**



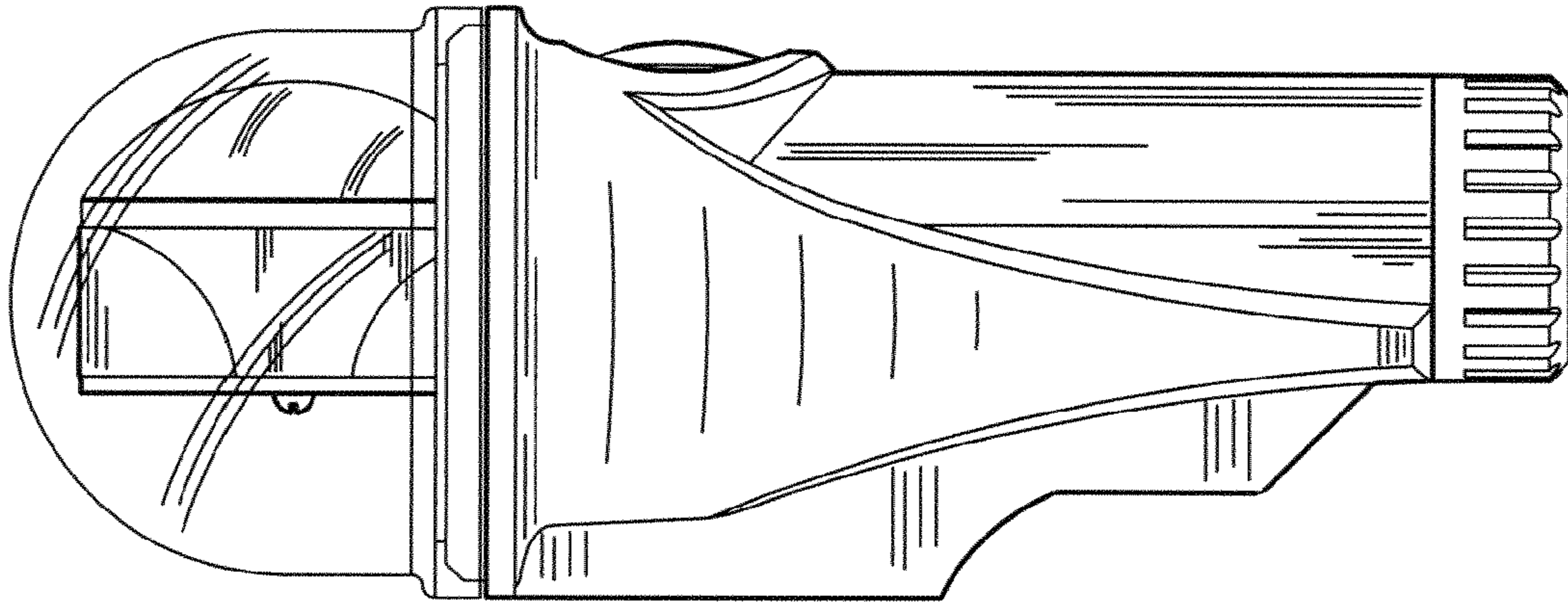


Fig. 1

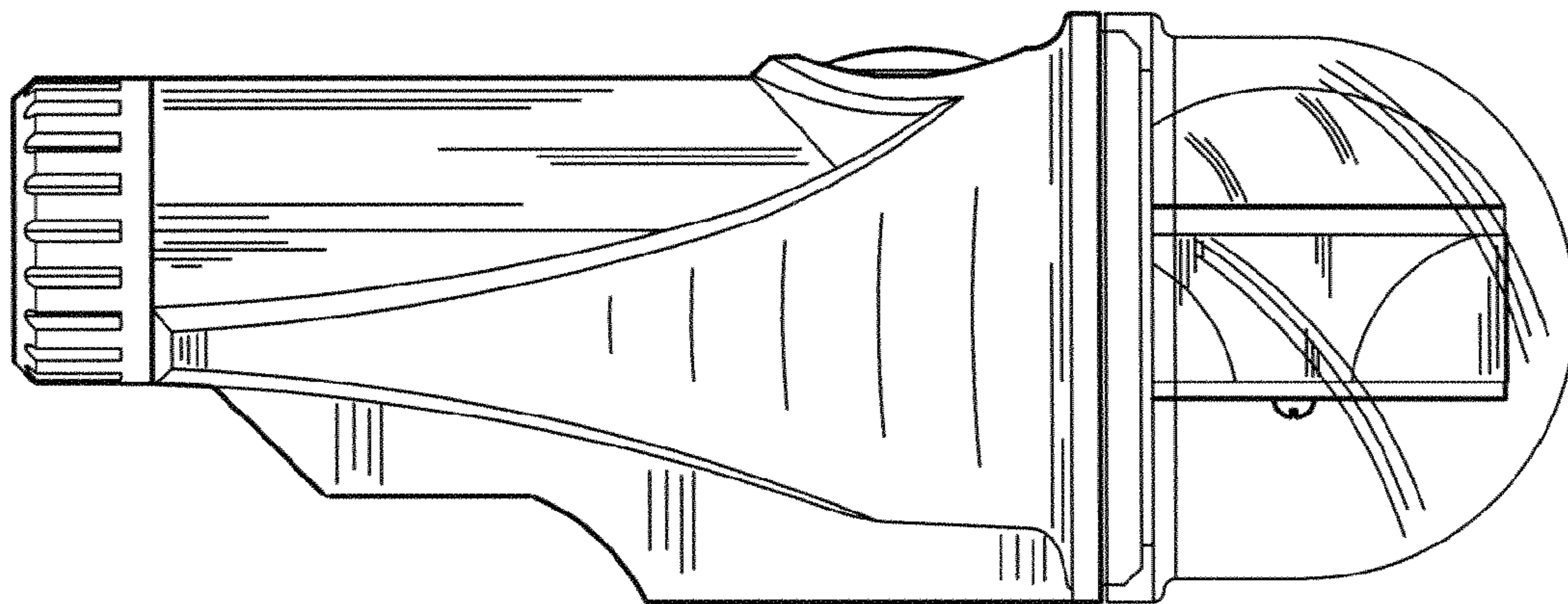


Fig. 2



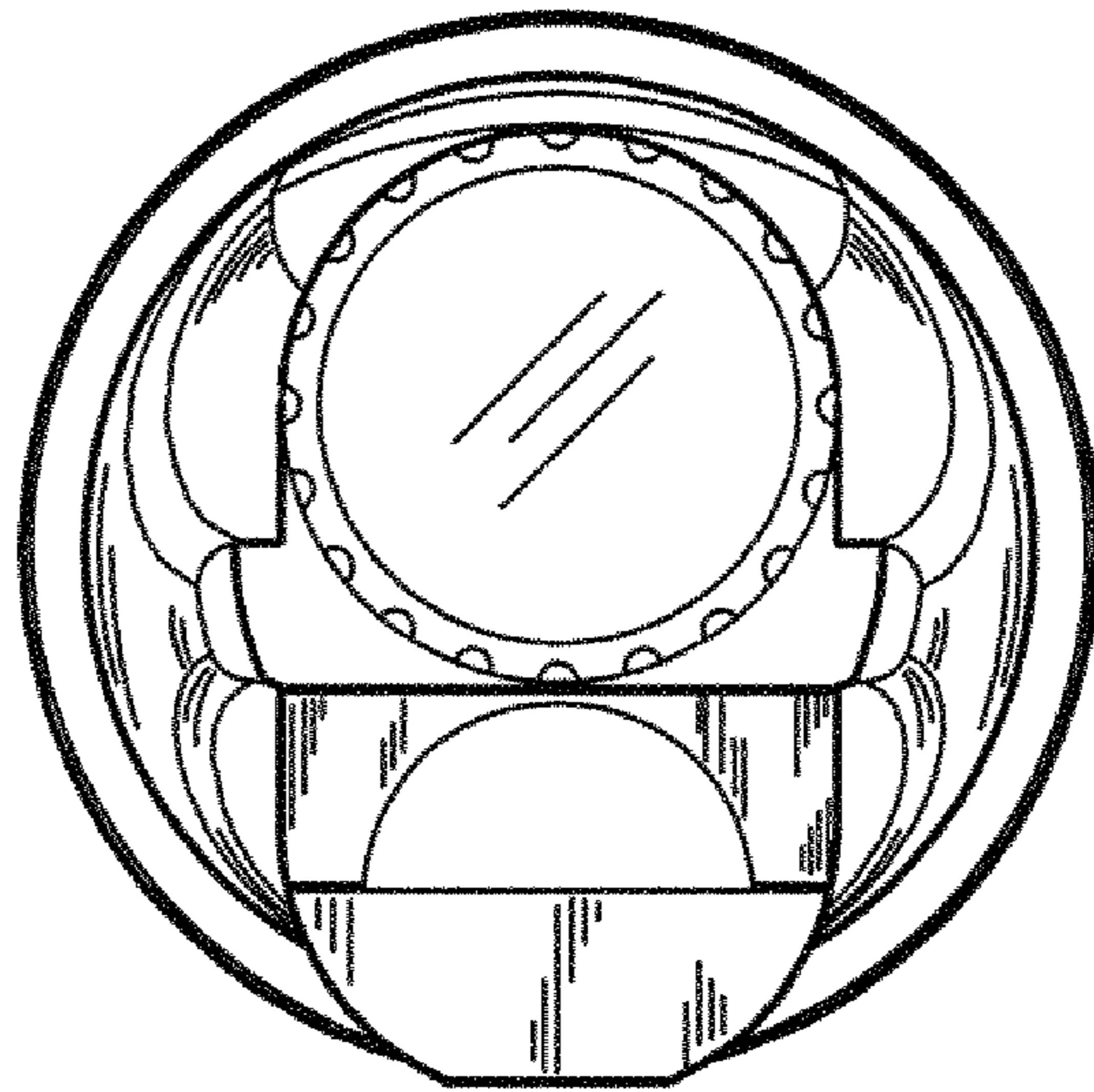


Fig. 3

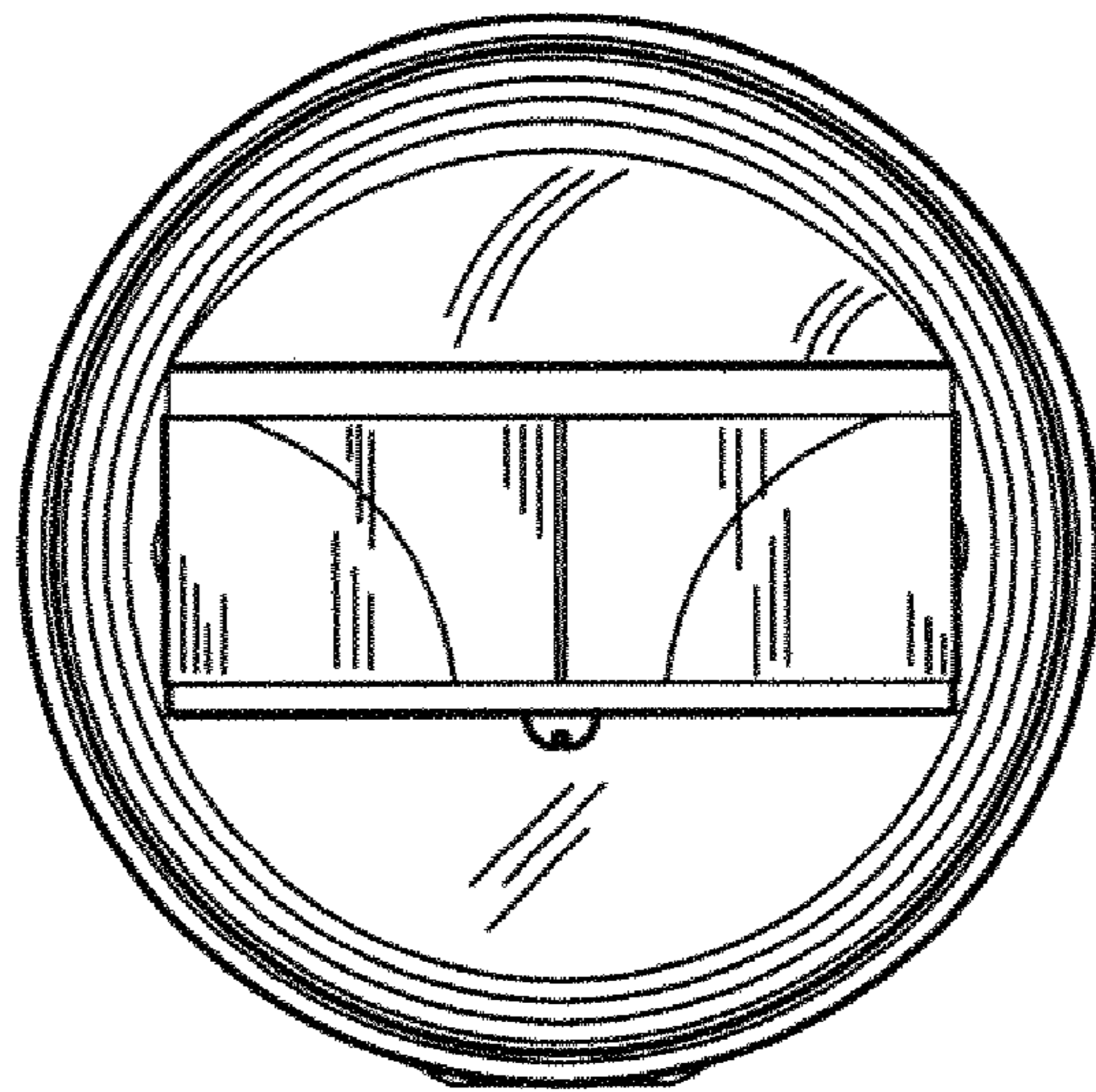


Fig. 4

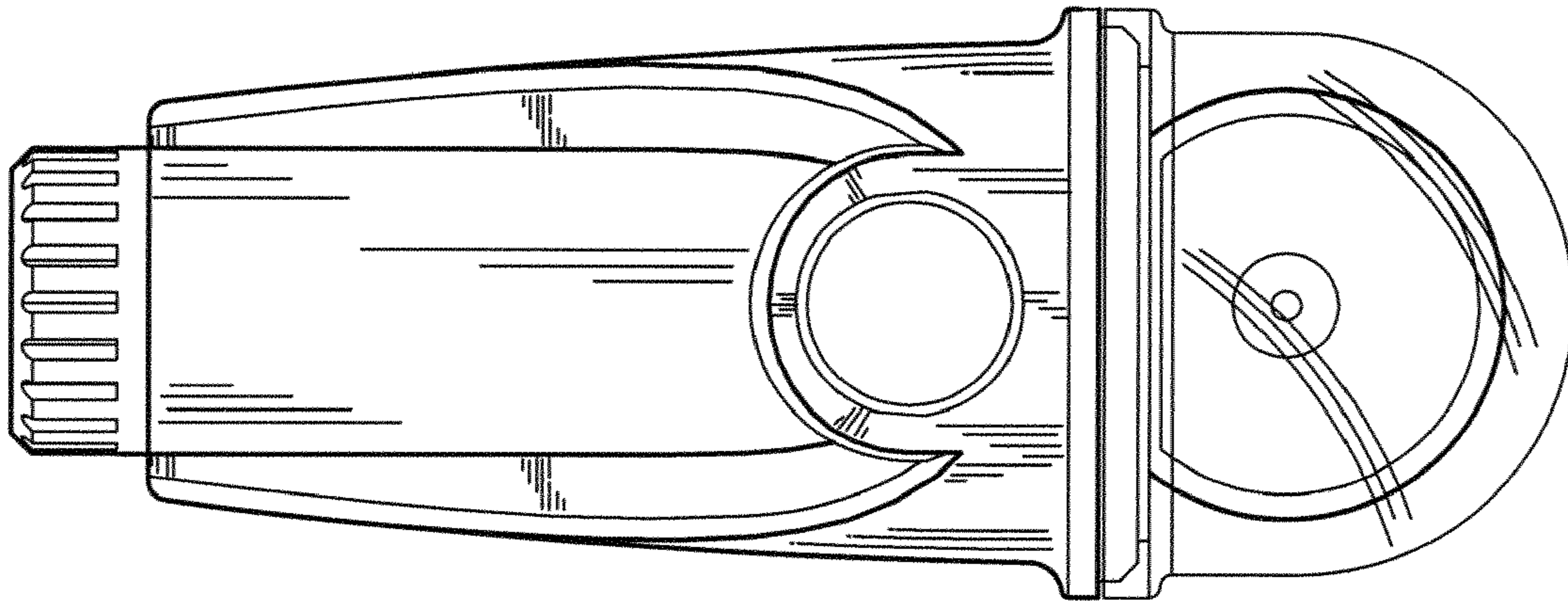


Fig. 5

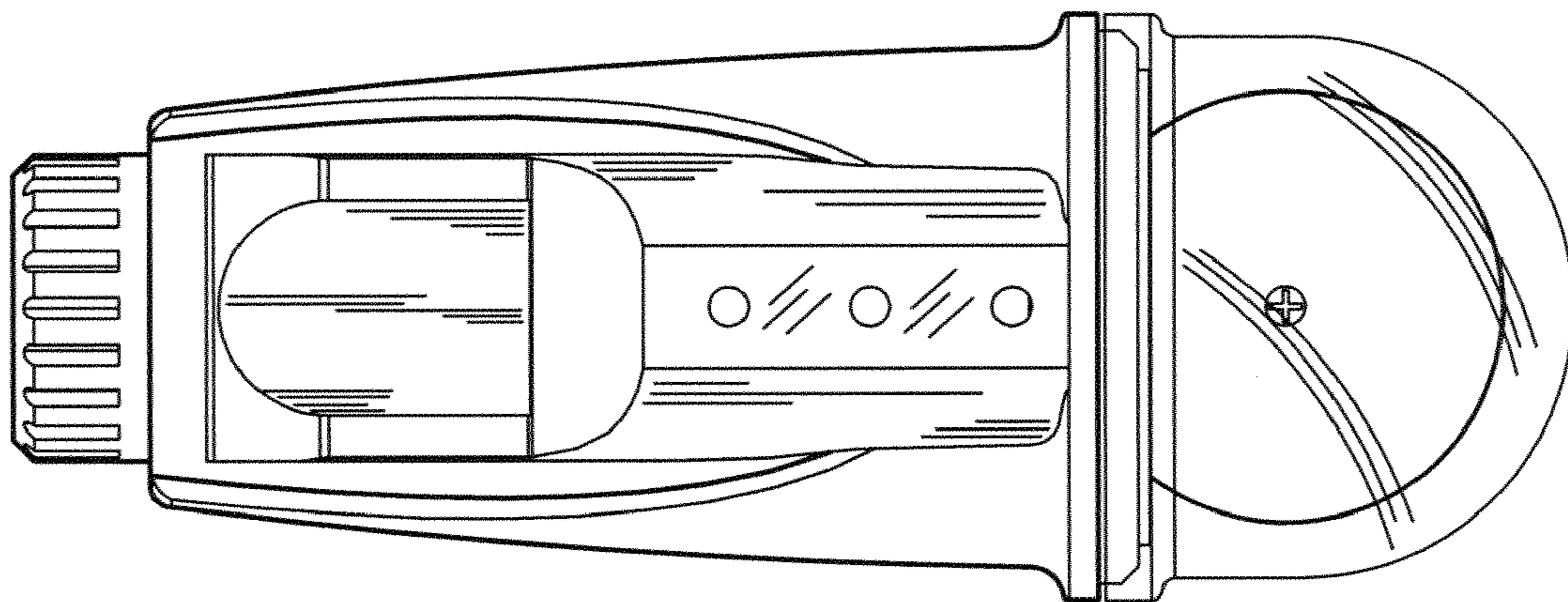


Fig. 6

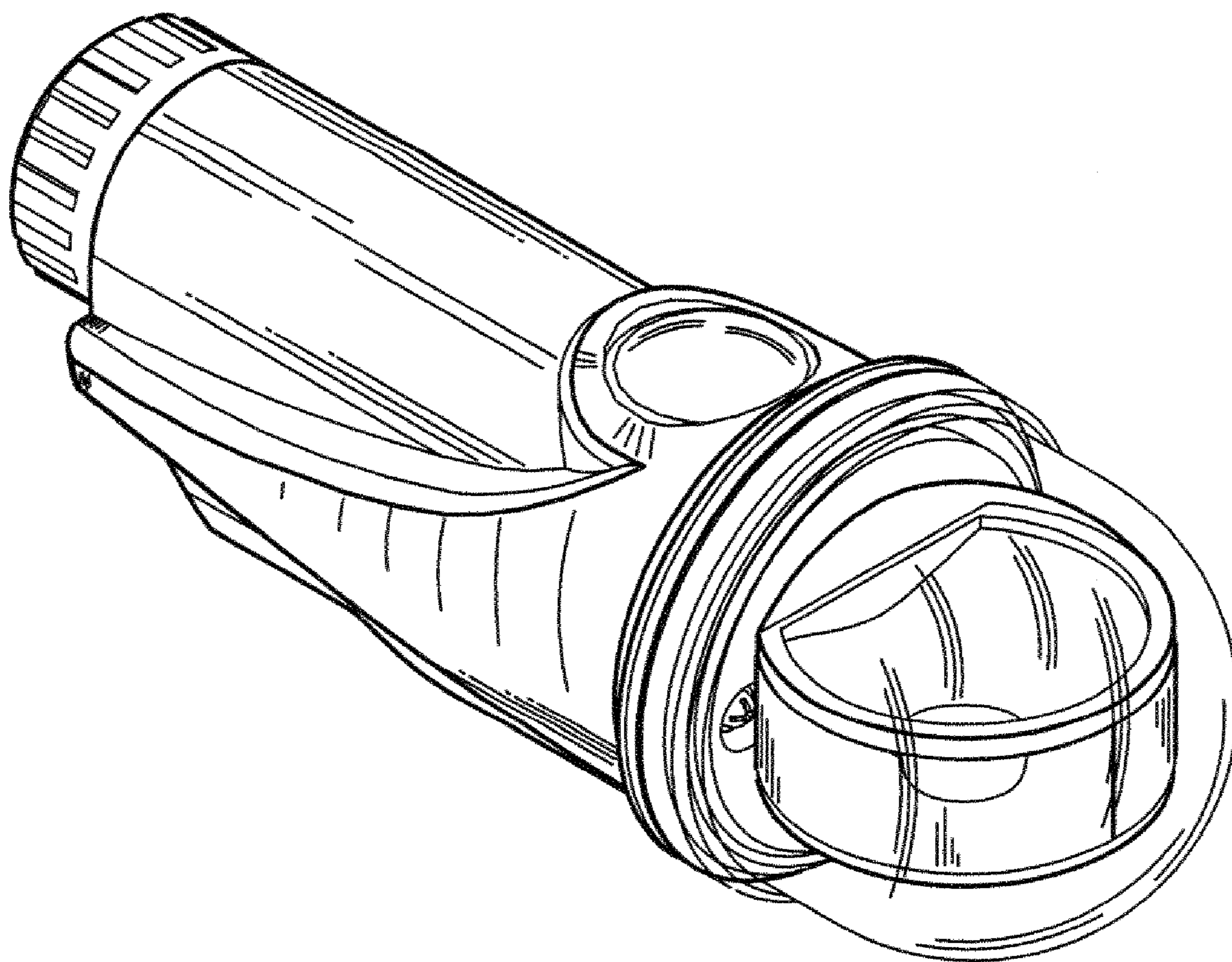


Fig. 7



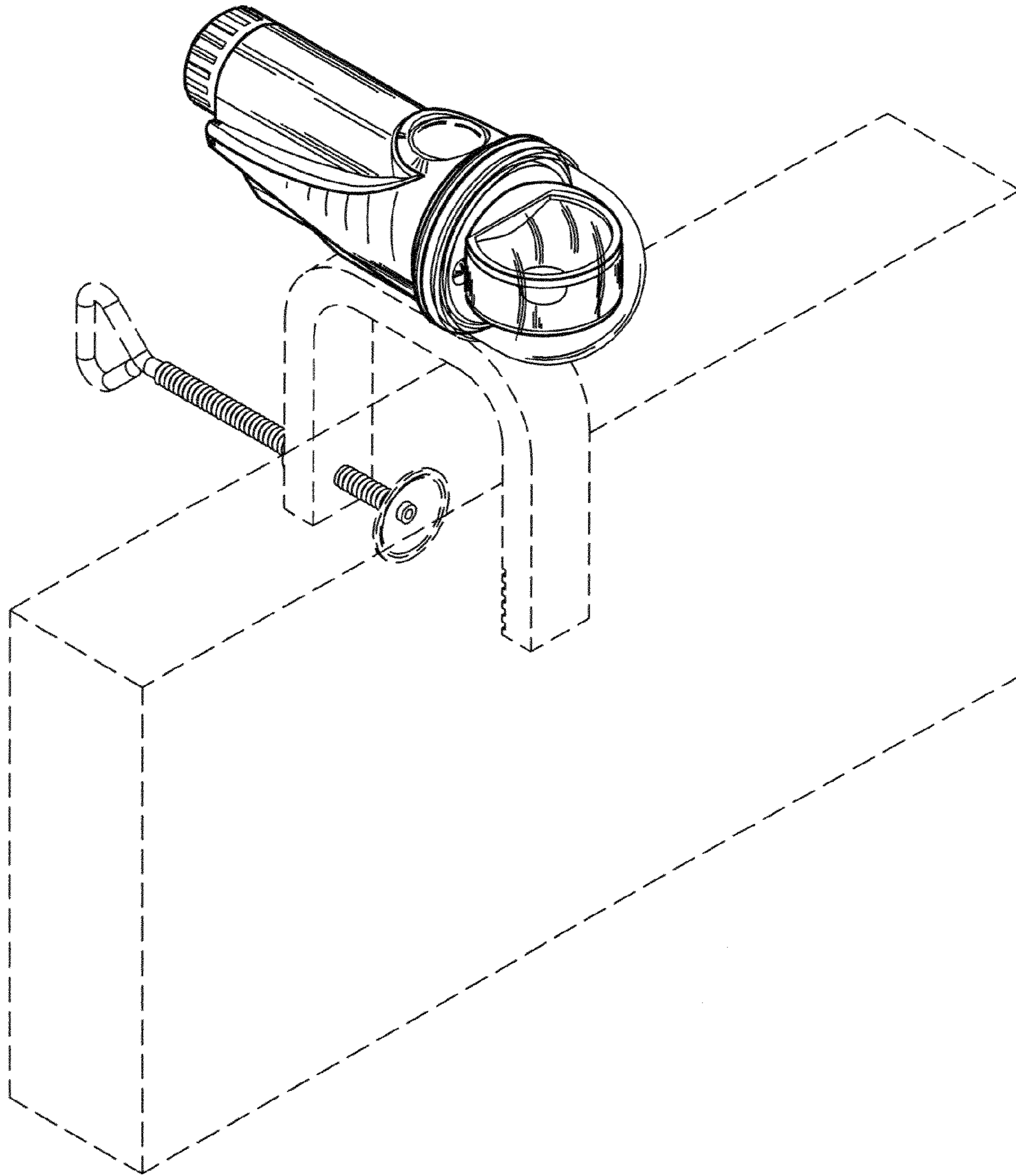


Fig. 8