



US00D612522S

(12) **United States Design Patent**  
**Howard et al.**

(10) **Patent No.:** **US D612,522 S**  
(45) **Date of Patent:** **\*\* Mar. 23, 2010**

(54) **LED NIGHT-LIGHT WITH TRUNCATED HEMISPHERE**  
(75) Inventors: **Kenneth A. Howard**, Creve Coeur, MO (US); **Matthew S. Smith**, St. Charles, MO (US)

(73) Assignee: **Mary Elle Fashions**, St. Louis, MO (US)

(\*\*) Term: **14 Years**

(21) Appl. No.: **29/331,245**

(22) Filed: **Jan. 22, 2009**

(51) **LOC (9) Cl.** ..... **26-05**

(52) **U.S. Cl.** ..... **D26/26**

(58) **Field of Classification Search** ..... D26/24, D26/26, 37, 38, 39, 40, 44, 47, 49, 51, 52, D26/57, 60, 61, 63, 67, 72, 73, 88, 95, 113, D26/118, 125, 156, 85, 89, 74; D13/107, D13/108; D14/432, 435.1, 255, 356; D23/366, D23/367, 369; 362/217.02, 640, 641, 642, 362/643, 644, 652, 653, 657, 658, 659, 477, 362/88, 89, 98, 103, 104, 105, 109, 157, 362/171, 183, 190, 191, 194, 195, 249.1, 362/249.11, 311.01, 311.04, 311.05, 806, 362/147, 404

See application file for complete search history.

(56) **References Cited**

**U.S. PATENT DOCUMENTS**

- 1,629,613 A \* 5/1927 Crockett ..... 362/282
- D170,188 S \* 8/1953 Flood ..... D26/85
- D280,014 S 8/1985 Tanaka
- D352,564 S 11/1994 Marischen
- D376,214 S 12/1996 Pinchuk
- D378,621 S \* 3/1997 Landefeld ..... D26/85
- D381,452 S 7/1997 Landefeld
- D387,453 S 12/1997 Protzek
- D393,095 S \* 3/1998 Fiorato ..... D26/85
- D404,508 S 1/1999 Marischen
- D412,040 S \* 7/1999 Hudak et al. .... D26/87

- D417,026 S 11/1999 Taylor et al.
- 6,042,251 A \* 3/2000 McCarthy et al. .... 362/308
- D426,657 S 6/2000 Joss
- D437,969 S \* 2/2001 Chen ..... D26/131
- D457,667 S \* 5/2002 Piepgras et al. .... D26/26
- D458,700 S \* 6/2002 Yancy ..... D26/26
- D459,502 S 6/2002 Chen
- D459,503 S 6/2002 Chen

(Continued)

**OTHER PUBLICATIONS**

Unique Lighting System, Inc. specifications, 4 pages, [http://www.uniquelighting.com/product\\_pages/GEMINI.htm](http://www.uniquelighting.com/product_pages/GEMINI.htm).

*Primary Examiner*—Jennifer Rivard

*Assistant Examiner*—Angela J Lee

(74) *Attorney, Agent, or Firm*—Senniger Powers LLP

(57) **CLAIM**

The ornamental design for an LED night-light with truncated hemisphere, as shown and described.

**DESCRIPTION**

FIG. 1 is a perspective view of the LED night-light of the invention;

FIG. 2 is a front view thereof;

FIG. 3 is a right side view thereof;

FIG. 4 is a top plan view thereof;

FIG. 5 is a rear view thereof;

FIG. 6 is a left side view thereof; and,

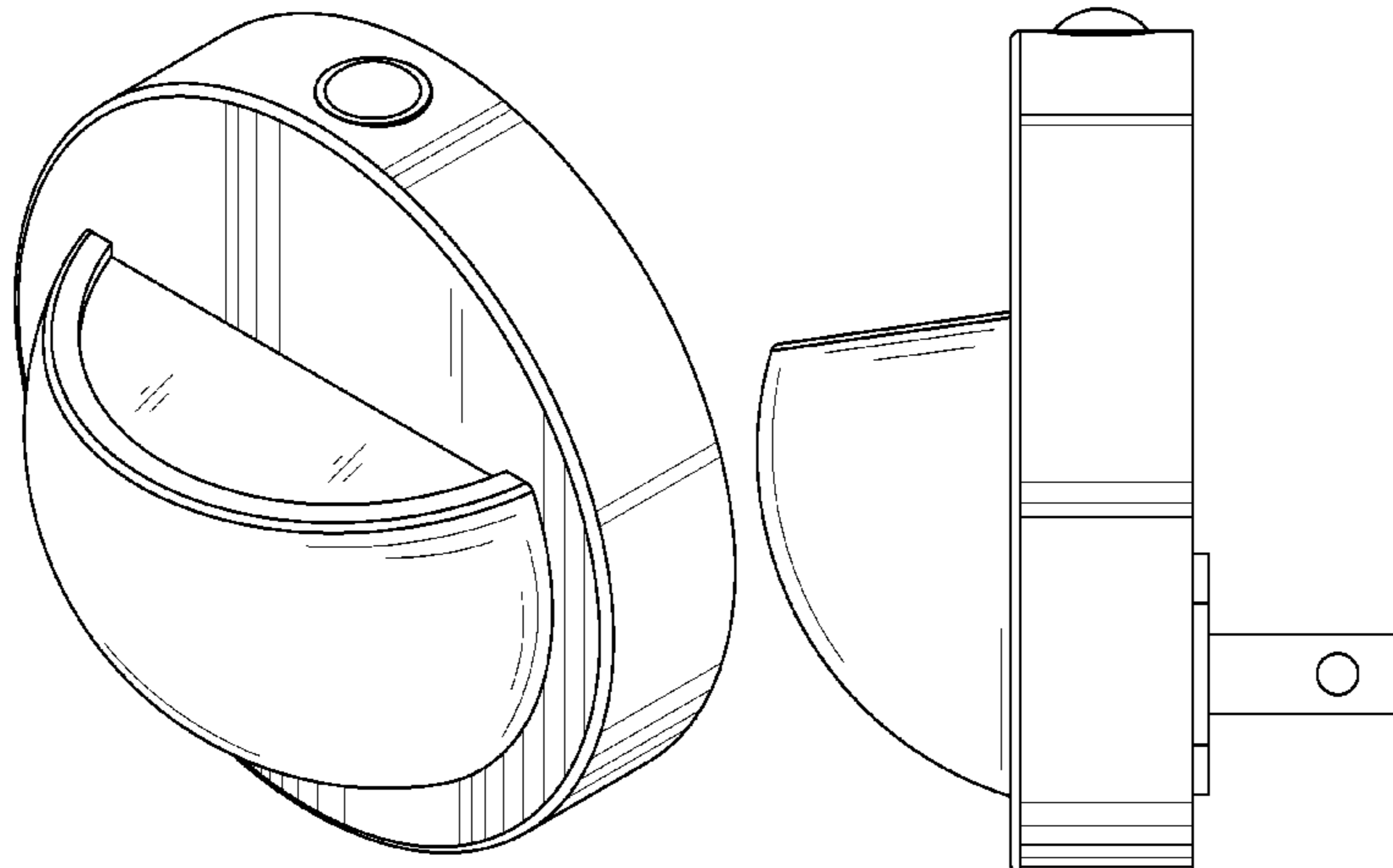
FIG. 7 is a bottom plan view thereof.

The sensor shown in broken lines in FIGS. 1, 2, 3, 4, 5 and 6 is for illustrative purposes only and is not part of the claimed design.

The electrical plug and rectangular element shown in broken lines in FIGS. 3, 4, 5, 6 and 7 is for illustrative purposes only and is not part of the claimed design.

The screw heads and accompanying indentations shown in broken lines in FIG. 5 is for illustrative purposes only and is not part of the claimed design.

**1 Claim, 7 Drawing Sheets**



# US D612,522 S

Page 2

---

## U.S. PATENT DOCUMENTS

D459,504 S	6/2002	Chen		D493,907 S	8/2004	Benensohn	
D460,202 S	7/2002	Stekelenburg		D536,082 S	1/2007	Pugh	
D460,204 S *	7/2002	Giese .....	D26/26	7,168,837 B2	1/2007	Ishida	
6,499,853 B2	12/2002	Stekelenburg		D551,362 S	9/2007	Ottosson et al.	
D468,460 S	1/2003	Yu		D563,588 S *	3/2008	Mullen .....	D26/85
6,561,677 B1 *	5/2003	Leen .....	362/276	D564,697 S *	3/2008	Akinrele et al. ....	D26/118
D482,486 S	11/2003	Demers		D571,949 S	6/2008	Wedding et al.	
D483,460 S	12/2003	Millan		D582,064 S	12/2008	Mukai	
D491,289 S	6/2004	Krieger		D585,129 S	1/2009	Huang	
				2009/0046470 A1	2/2009	Lai	

\* cited by examiner

FIG. 1

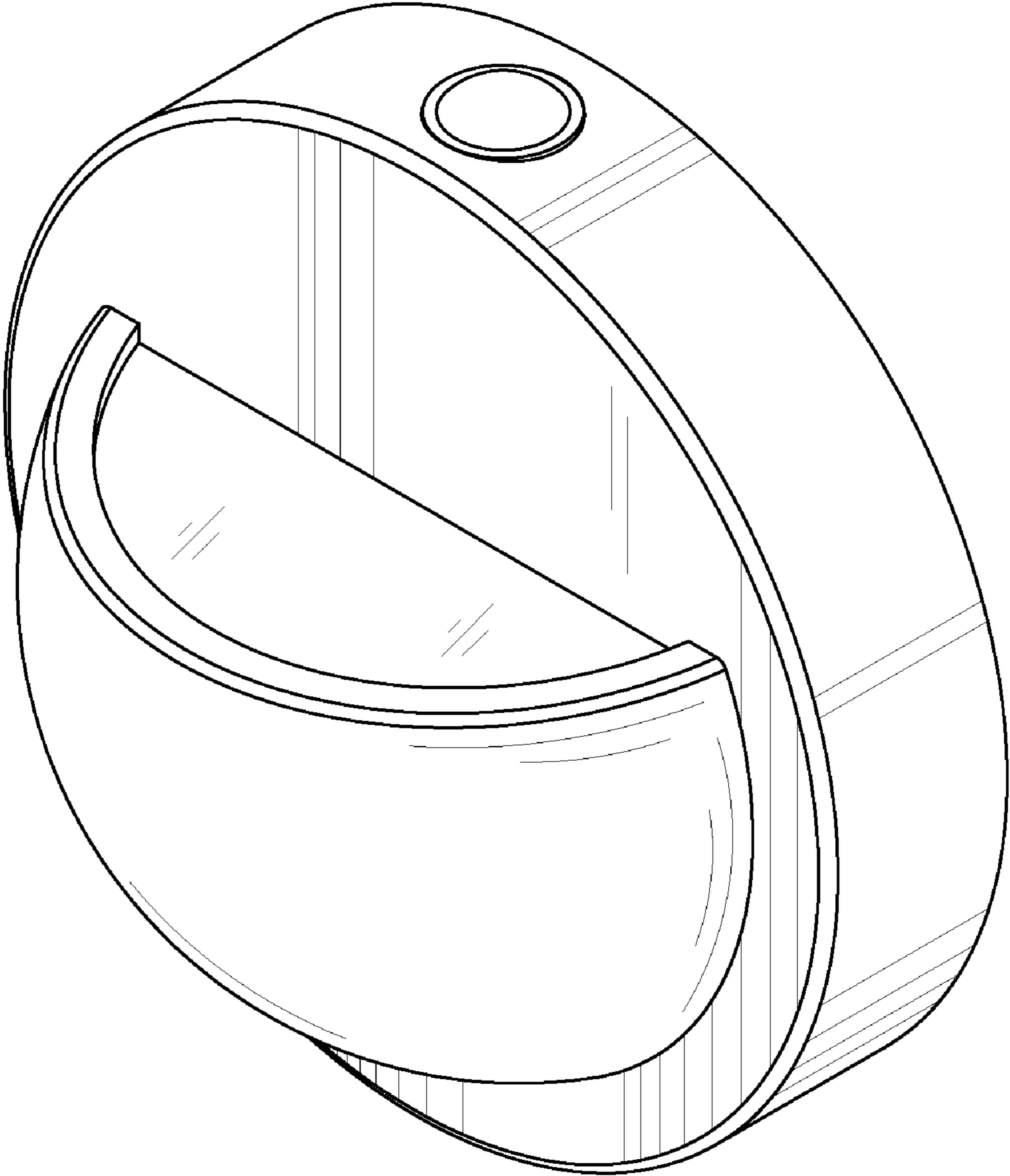


FIG. 2

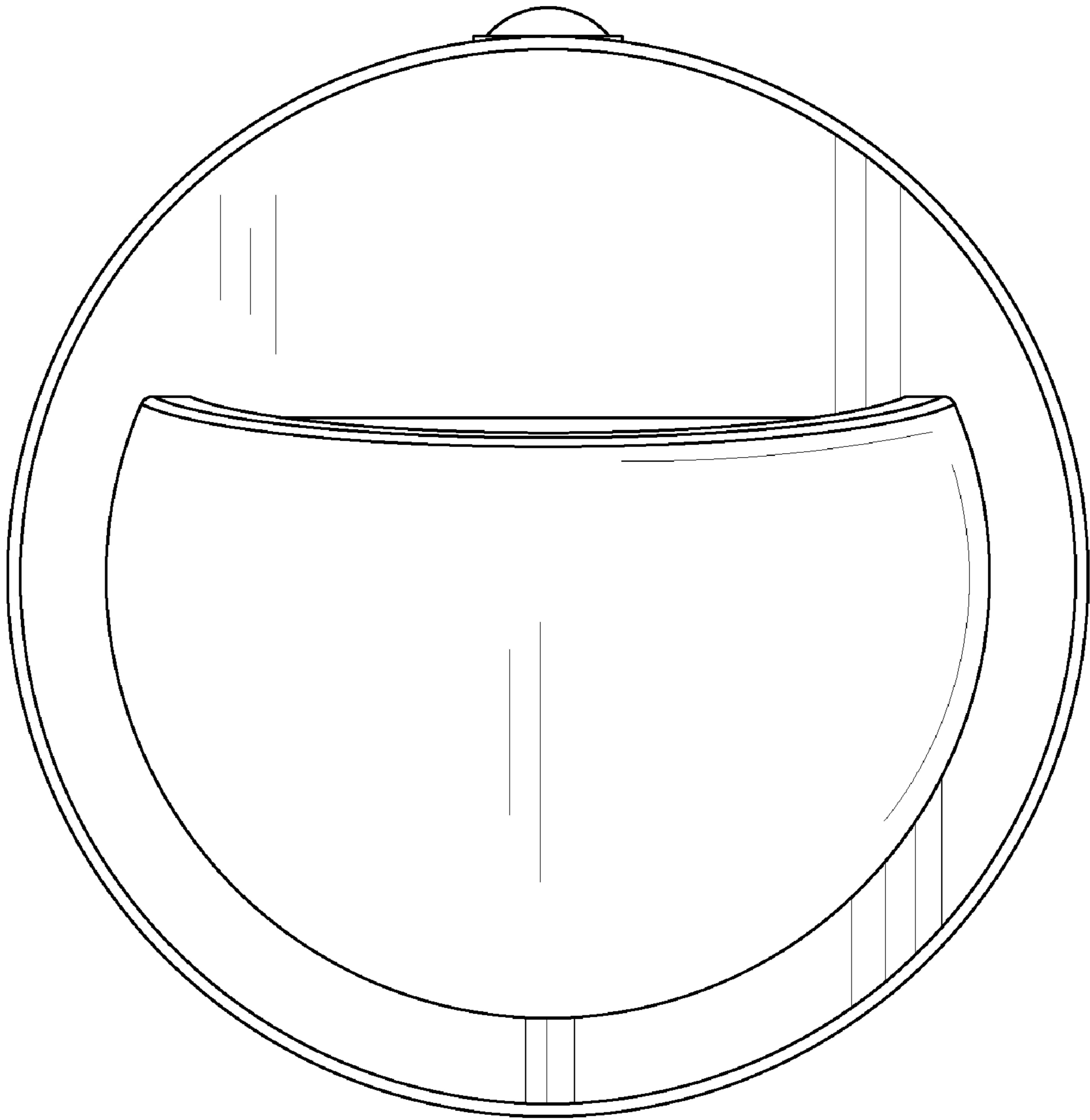


FIG. 3

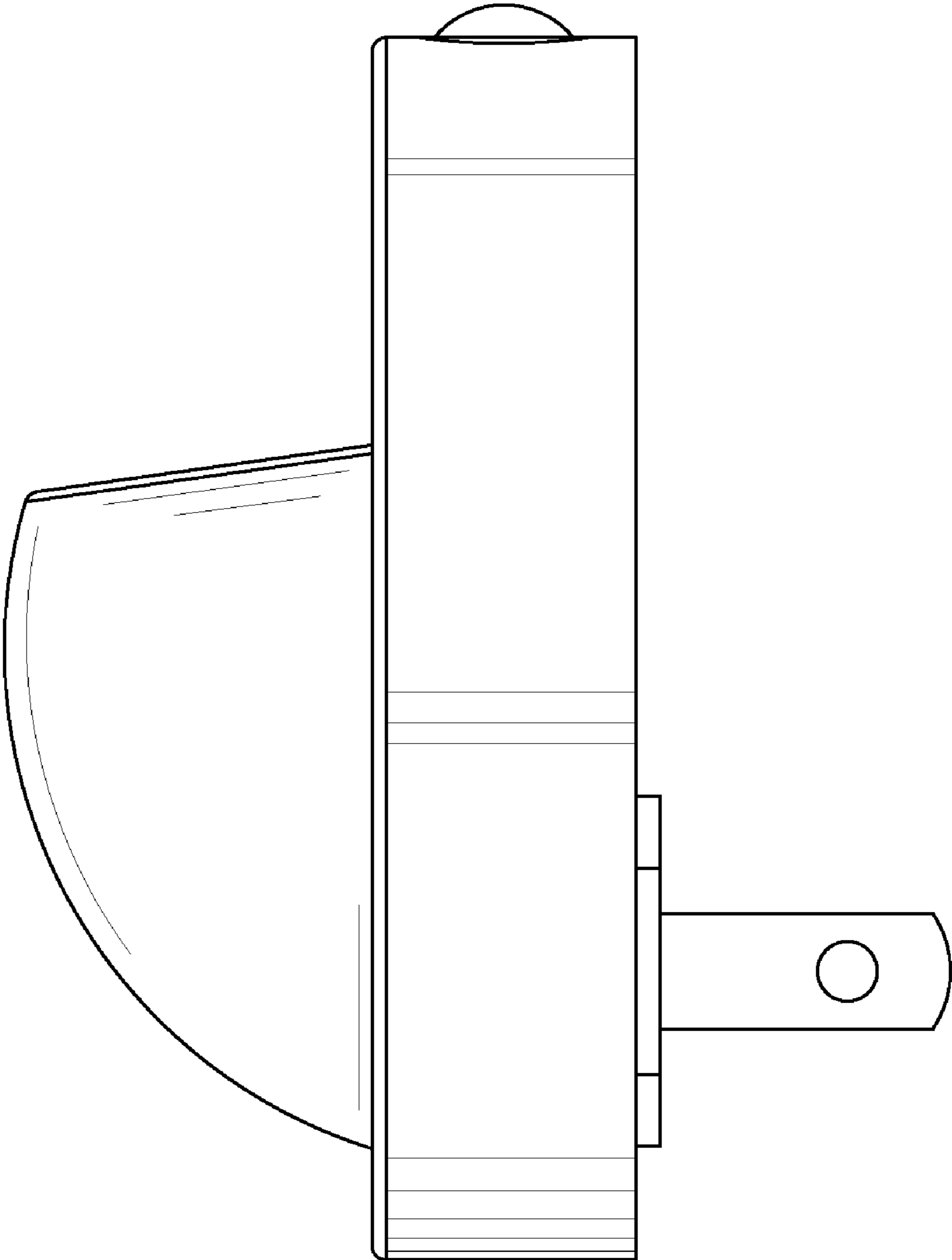


FIG. 4

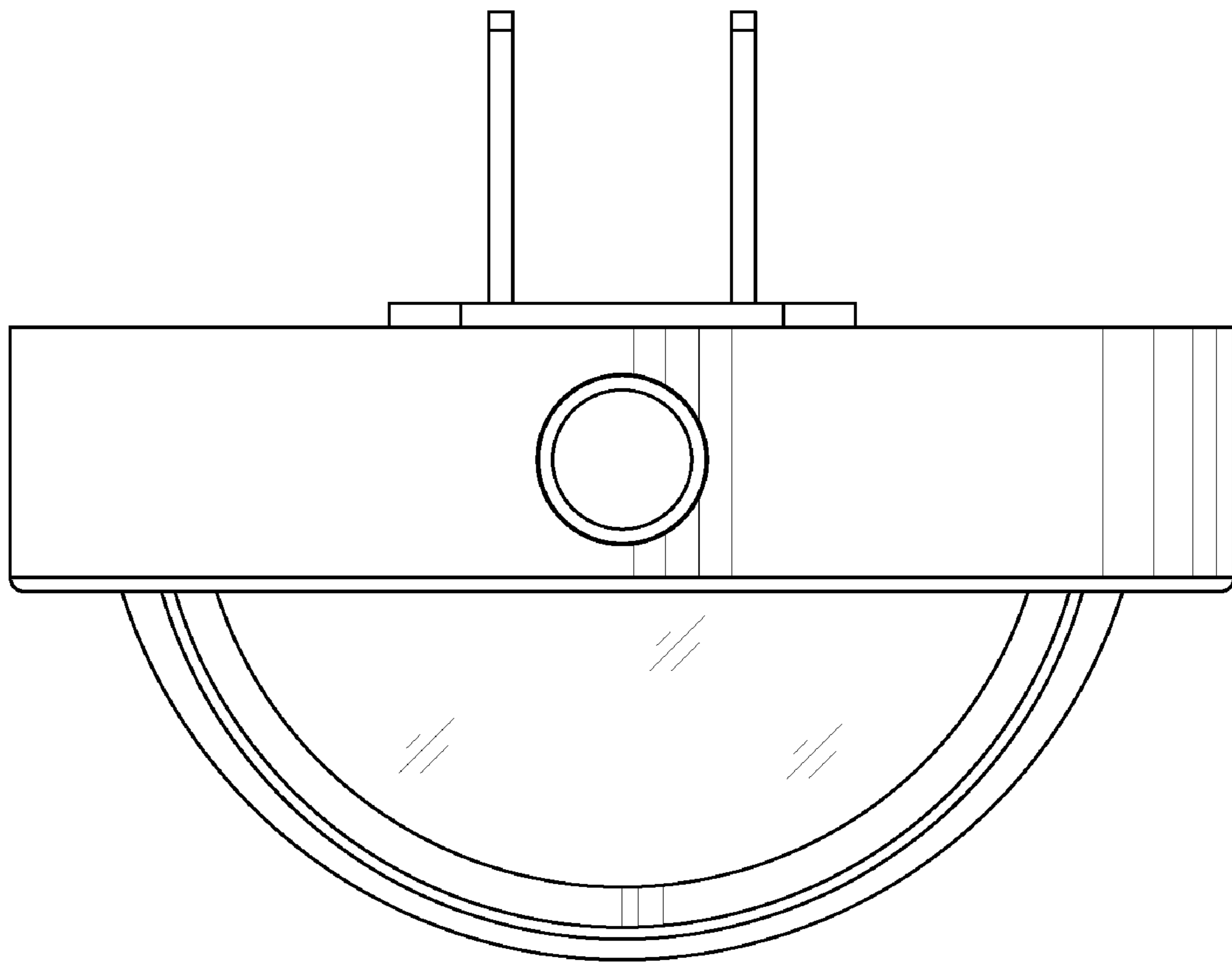


FIG. 5

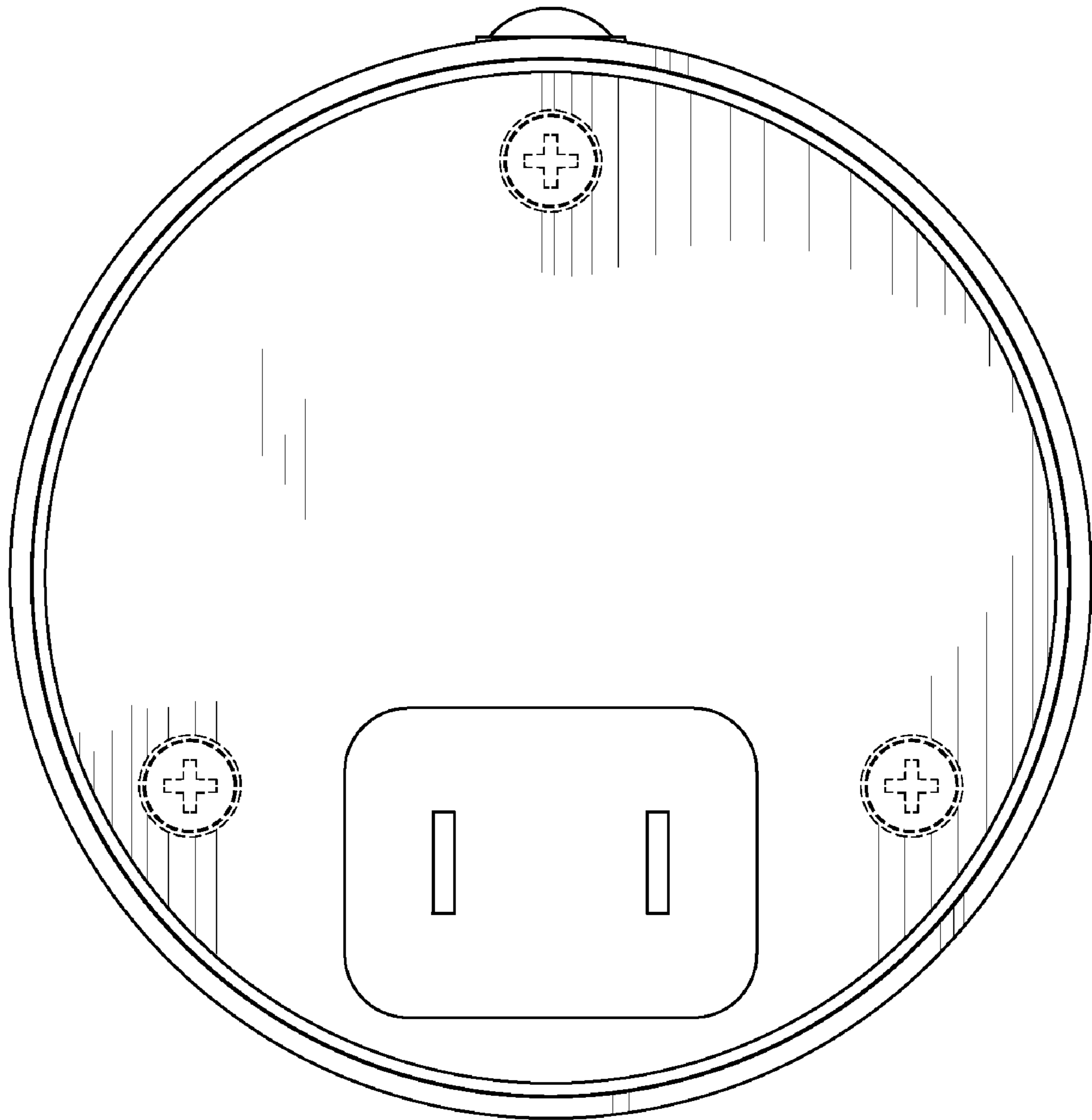


FIG. 6

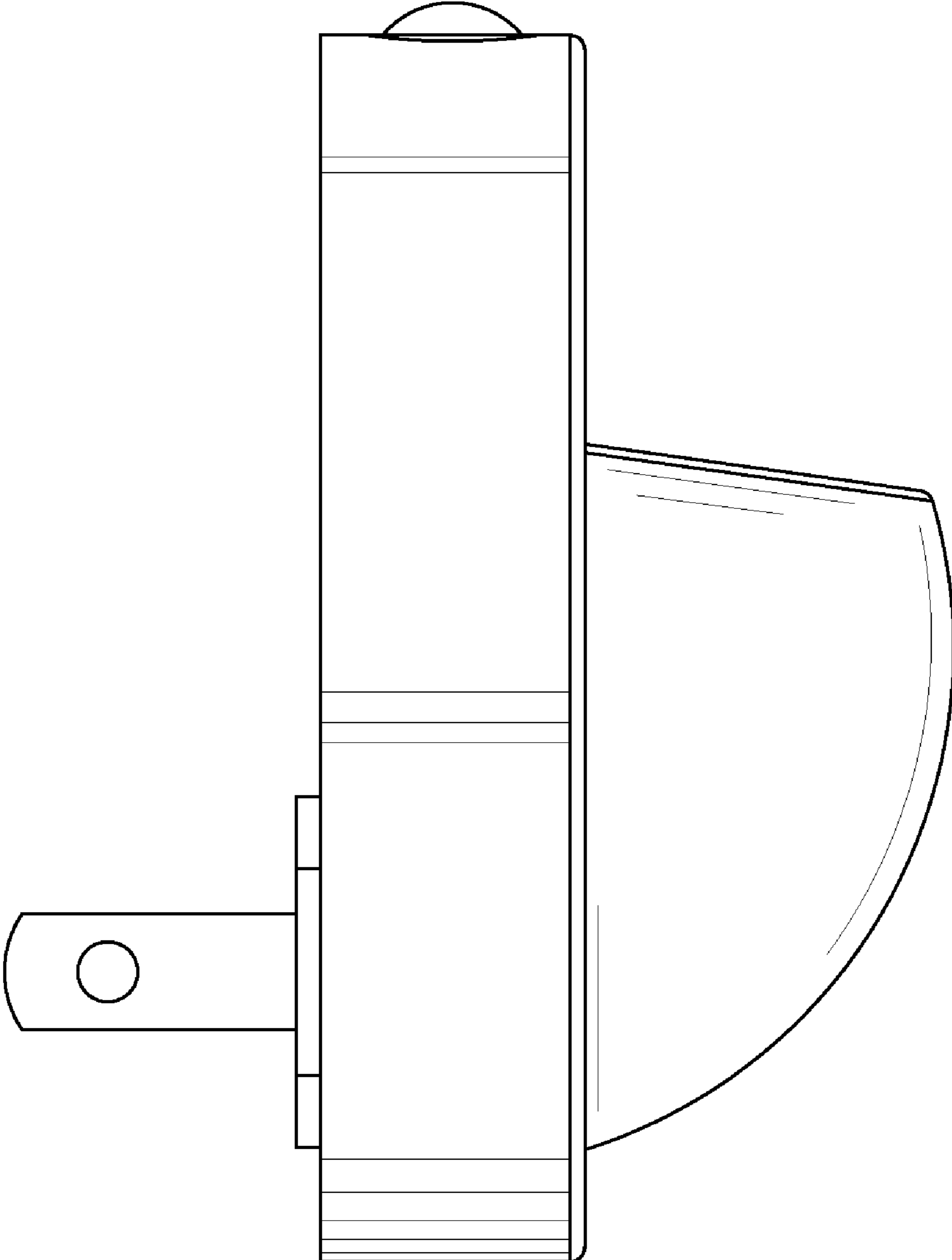




FIG. 7

