



US00D612521S

(12) **United States Design Patent**
Liu et al.

(10) **Patent No.:** **US D612,521 S**
(45) **Date of Patent:** **** Mar. 23, 2010**

(54) **LIGHT EMITTING DIODE BULB**
(75) Inventors: **Yu-Pin Liu**, Miao-Li Hsien (TW);
Ming-Young Shiao, Miao-Li Hsien
(TW)

(73) Assignee: **Foxsemicon Integrated Technology, Inc.**, Chu-Nan, Miao-Li Hsien (TW)

(**) Term: **14 Years**

(21) Appl. No.: **29/345,696**

(22) Filed: **Oct. 21, 2009**

(30) **Foreign Application Priority Data**
Aug. 7, 2009 (CN) 2009 3 0311339

(51) **LOC (9) Cl.** **26-06**
(52) **U.S. Cl.** **D26/2**
(58) **Field of Classification Search** D26/1-4;
313/313, 315, 316, 317, 318, 493; 315/52,
315/53, 56, 57, 58

See application file for complete search history.

(56) **References Cited**

U.S. PATENT DOCUMENTS

D506,840 S * 6/2005 Van de Ven et al. D26/2

D531,741 S * 11/2006 Takahashi D26/2
D538,953 S * 3/2007 Mama D26/2
D541,440 S * 4/2007 Feit D26/2
D542,426 S * 5/2007 Itaya et al. D26/2
D549,361 S * 8/2007 To et al. D26/2
D550,864 S * 9/2007 Hernandez et al. D26/2

* cited by examiner

Primary Examiner—Marcus A Jackson
(74) *Attorney, Agent, or Firm*—Raymond J. Chew

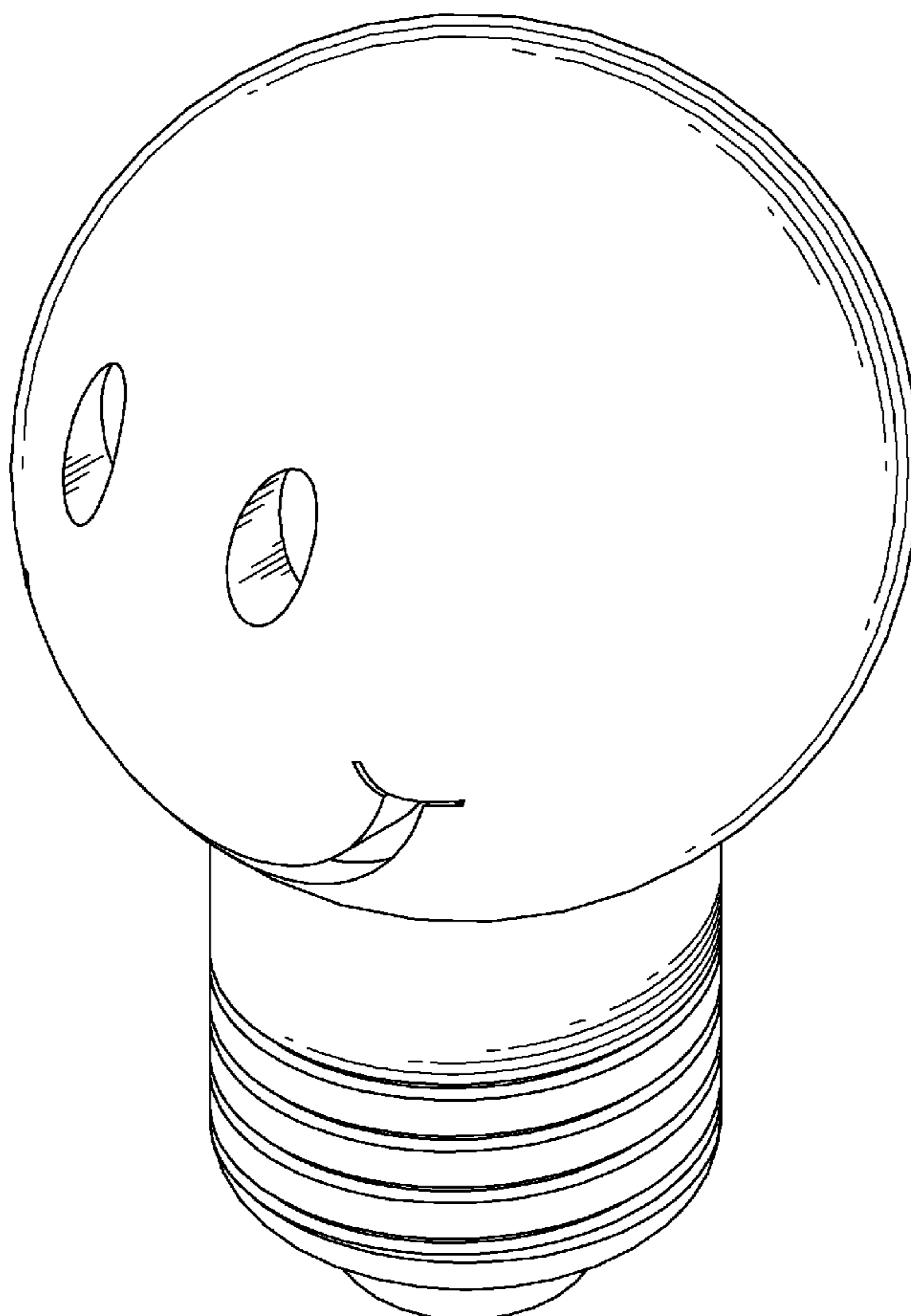
(57) **CLAIM**

The ornamental design for a light emitting diode bulb, as shown.

DESCRIPTION

FIG. 1 is a perspective view of a light emitting diode bulb showing our new design.
FIG. 2 is a front elevational view thereof.
FIG. 3 is a rear elevational view thereof.
FIG. 4 is a left-side, elevational view thereof.
FIG. 5 is a right-side, elevational view thereof.
FIG. 6 is a top plan view thereof; and,
FIG. 7 is a bottom plan view thereof.

1 Claim, 7 Drawing Sheets



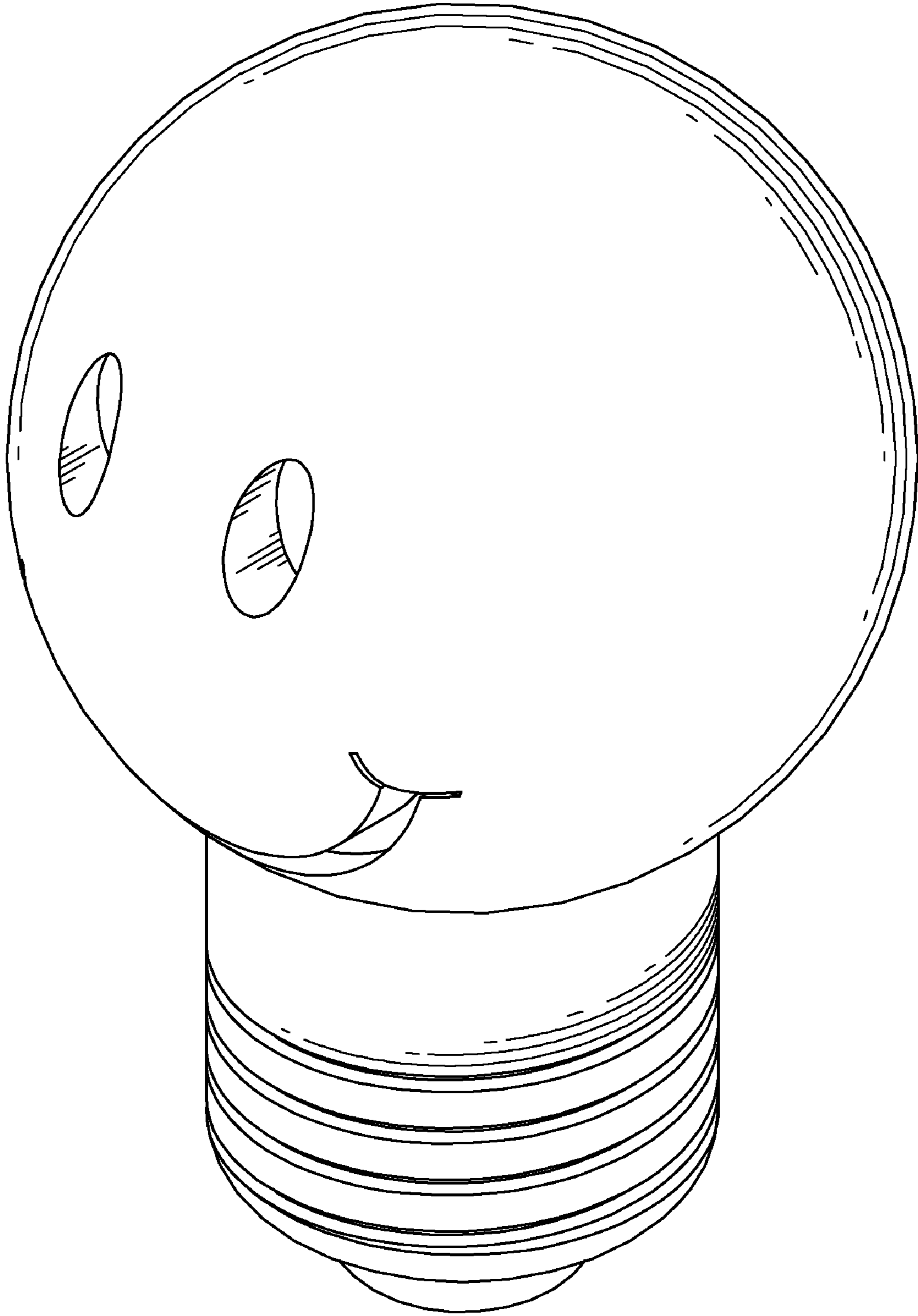


FIG. 1

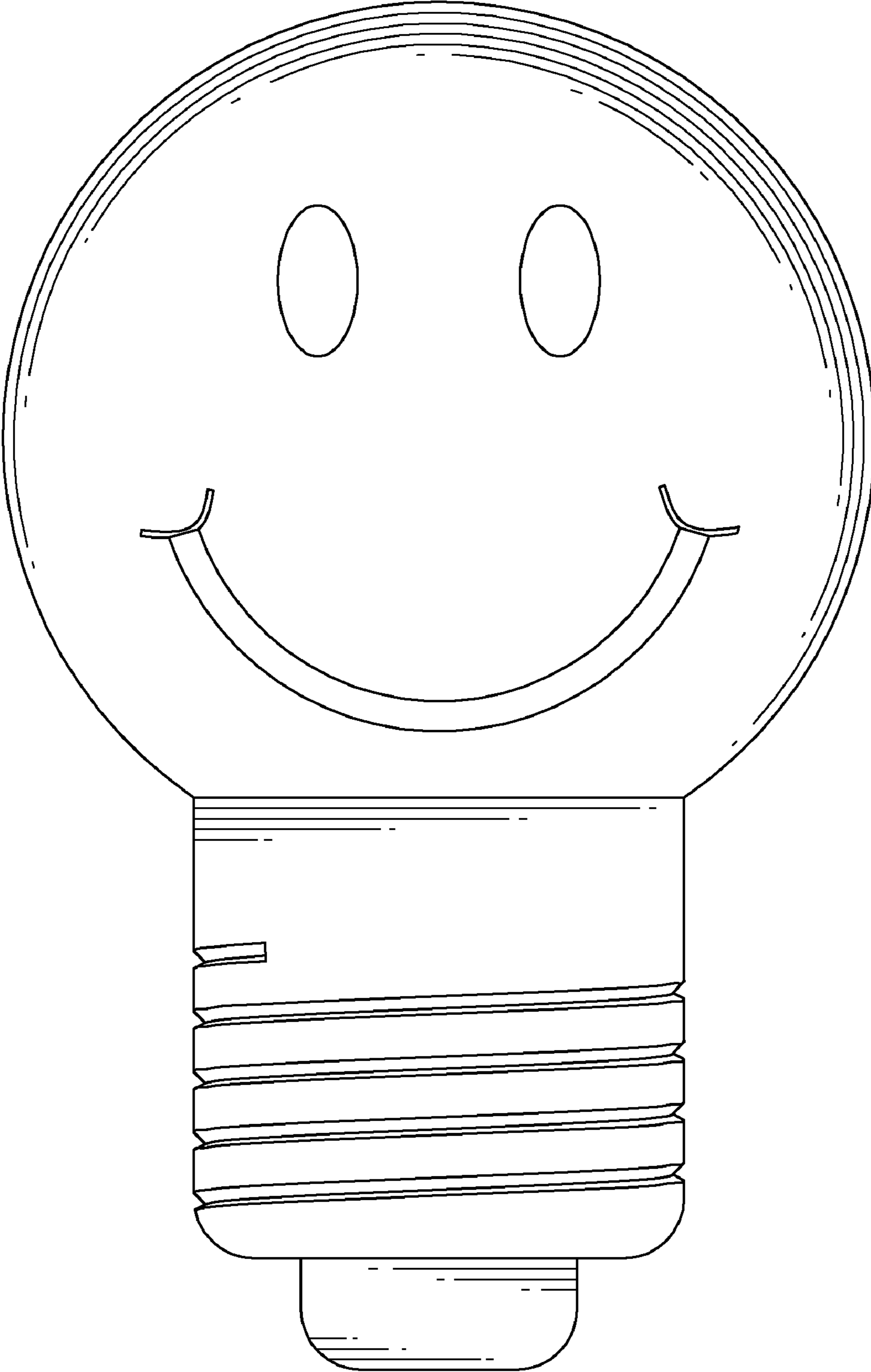


FIG. 2

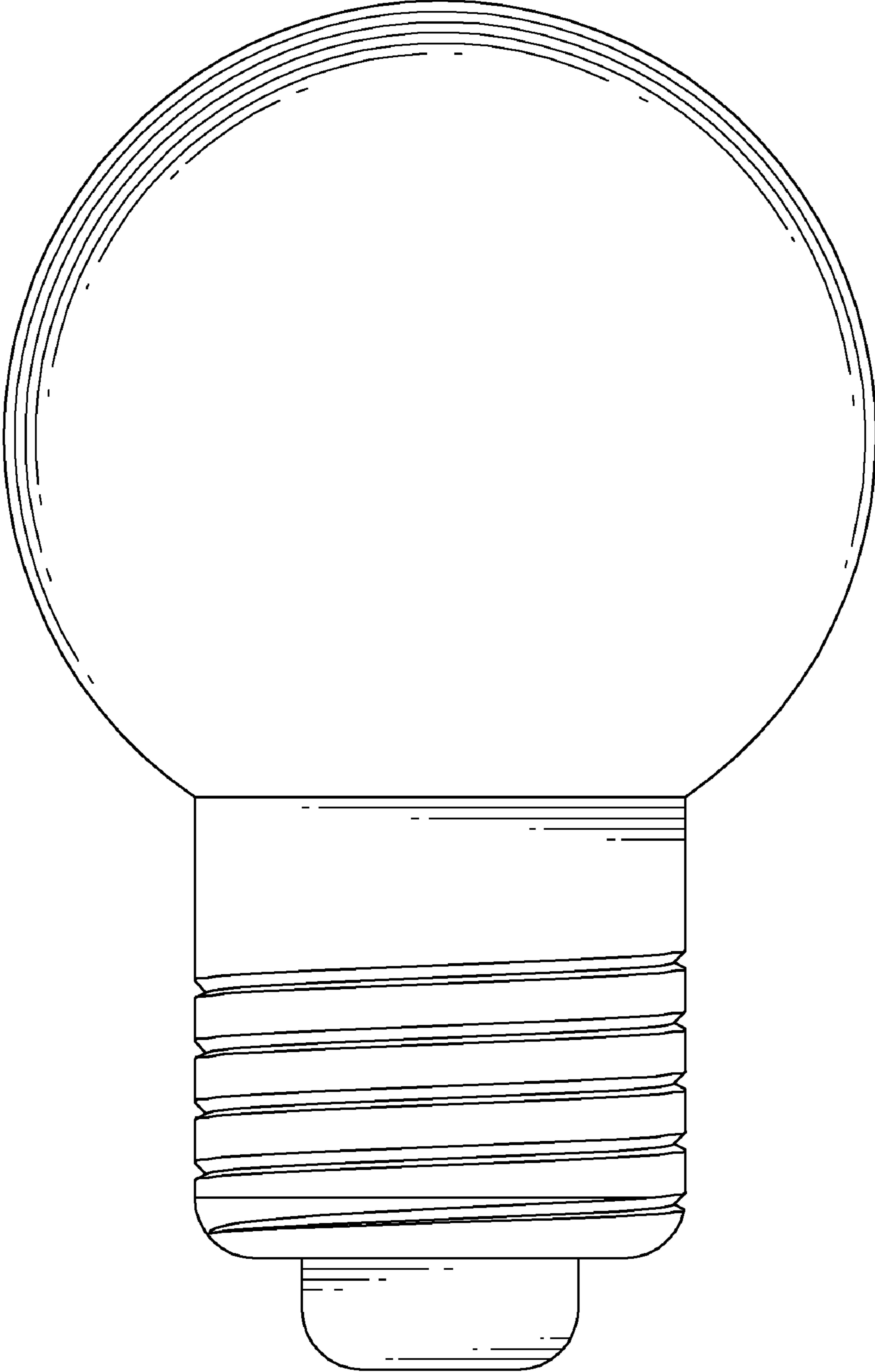


FIG. 3

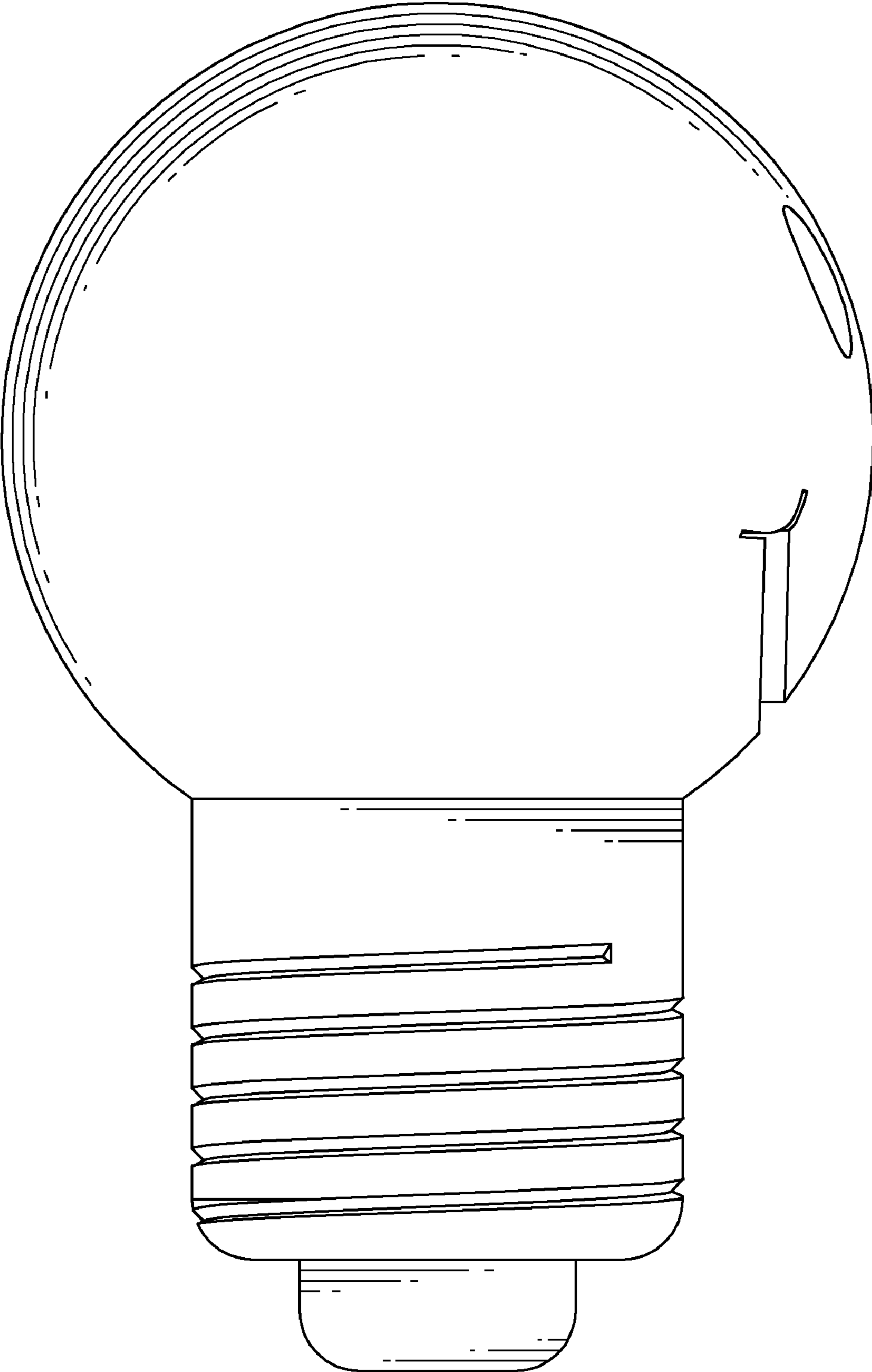


FIG. 4

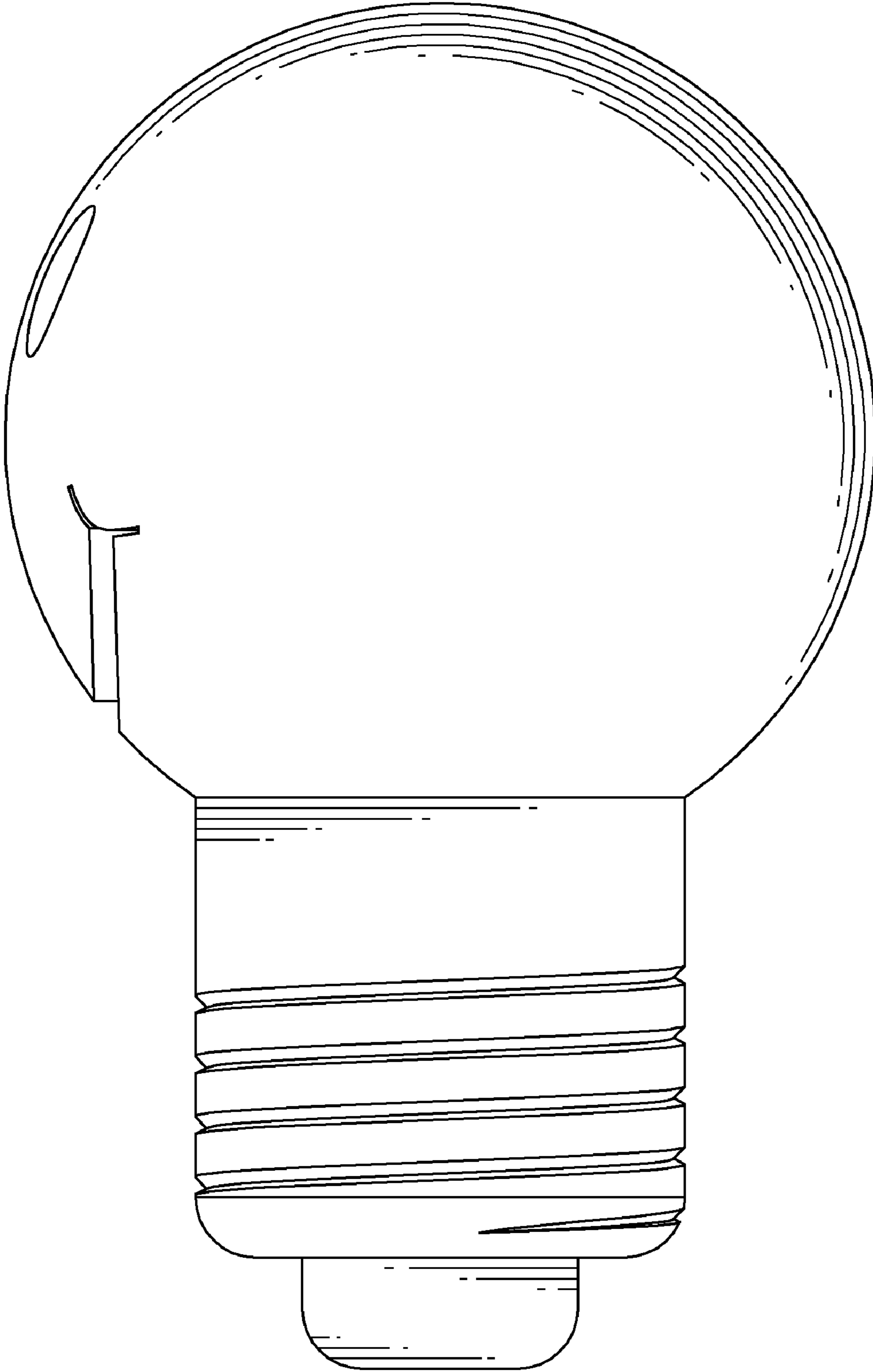


FIG. 5

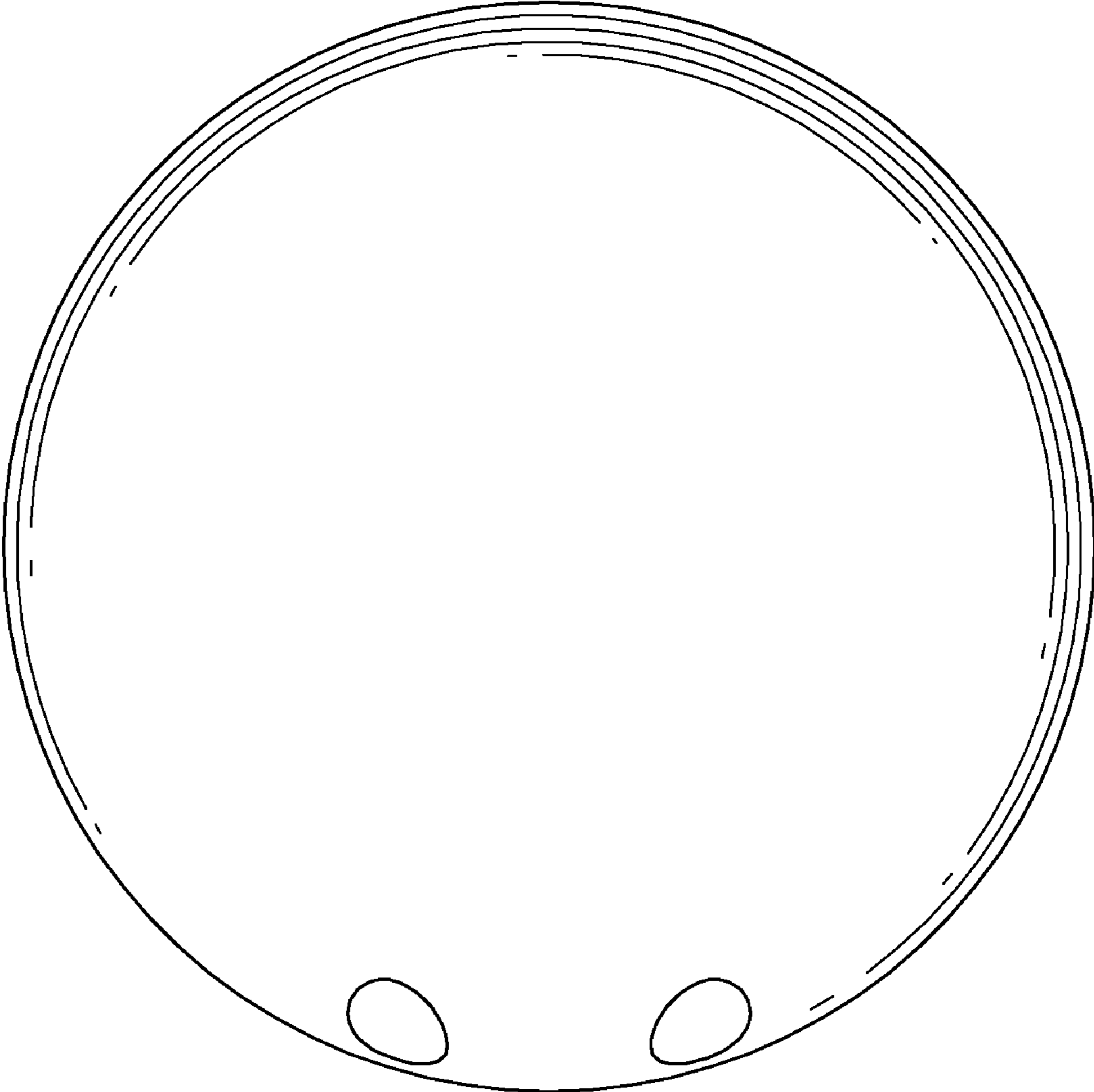


FIG. 6

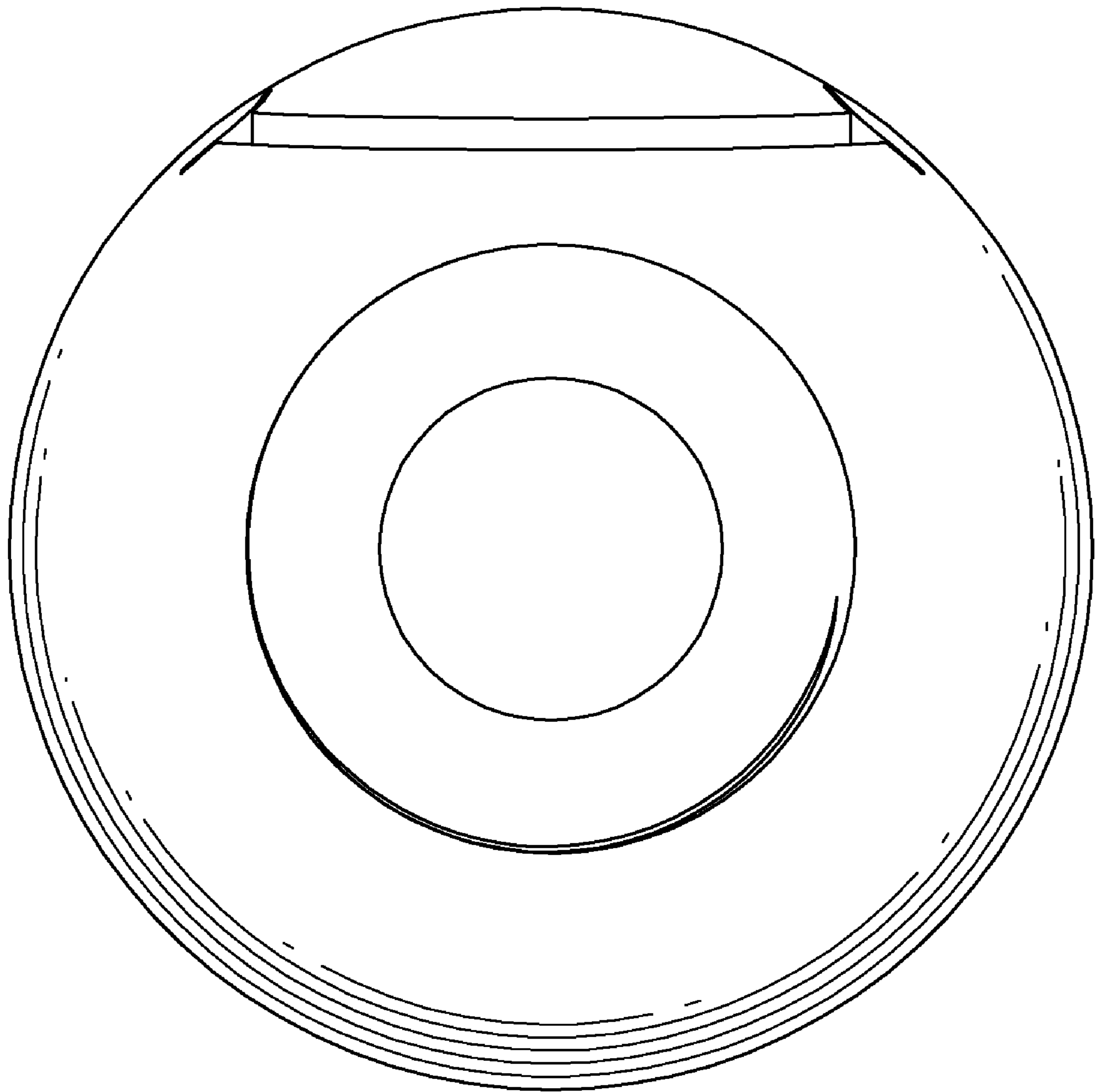


FIG. 7