



US00D612520S

(12) **United States Design Patent**
Tinen

(10) **Patent No.:** **US D612,520 S**
(45) **Date of Patent:** **** Mar. 23, 2010**

(54) **FIBER CEMENT SHINGLE PLANK WITH KEYWAYS**

(75) Inventor: **William J. Tinen**, Trabuco Canyon, CA (US)

(73) Assignee: **James Hardie Technology Limited**, Dublin (IE)

(**) Term: **14 Years**

(21) Appl. No.: **29/323,359**

(22) Filed: **Aug. 22, 2008**

(51) **LOC (9) Cl.** **25-01**

(52) **U.S. Cl.** **D25/139**

(58) **Field of Classification Search** D25/138–164;
52/478, 514, 518–530, 533–536, 539, 541,
52/545, 547, 554–555, 557

See application file for complete search history.

(56) **References Cited**

U.S. PATENT DOCUMENTS

33,620 A *	10/1861	Whytock	52/530
1,329,794 A *	2/1920	Moomaw	52/531
1,650,285 A *	11/1927	Lindley	52/545
3,667,184 A *	6/1972	Merrill et al.	52/530
D265,510 S *	7/1982	Bedwell, Jr.	D25/139
D348,317 S *	6/1994	Thomas et al.	D25/139
D415,848 S *	10/1999	Plath et al.	D25/143
D449,897 S *	10/2001	Croft	D25/141

* cited by examiner

Primary Examiner—Catherine R Oliver

(74) Attorney, Agent, or Firm—Gardere Wynne Sewell LLP

(57) **CLAIM**

The ornamental design for a fiber cement shingle plank with keyways, as shown and described.

DESCRIPTION

FIG. 1 is a front perspective view of a fiber cement shingle plank with keyways shown in my new design;

FIG. 2 is an enlarged view of a boxed portion of the fiber cement shingle plank with keyways shown in FIG. 1;

FIG. 3 is a front elevation view of the fiber cement shingle plank with keyways shown in FIG. 1;

FIG. 4 is an enlarged view of a boxed portion of the fiber cement shingle plank with keyways shown in FIG. 3;

FIG. 5 is a side view of the fiber cement shingle plank with keyways shown in FIG. 1, the opposite side being a mirror image thereof;

FIG. 6 is an enlarged view of a boxed portion of the fiber cement shingle plank with keyways shown in FIG. 5;

FIG. 7 is a first edge view of the fiber cement shingle plank with keyways shown in FIG. 1;

FIG. 8 is an enlarged view of the first edge view of the fiber cement shingle plank with keyways shown in FIG. 7;

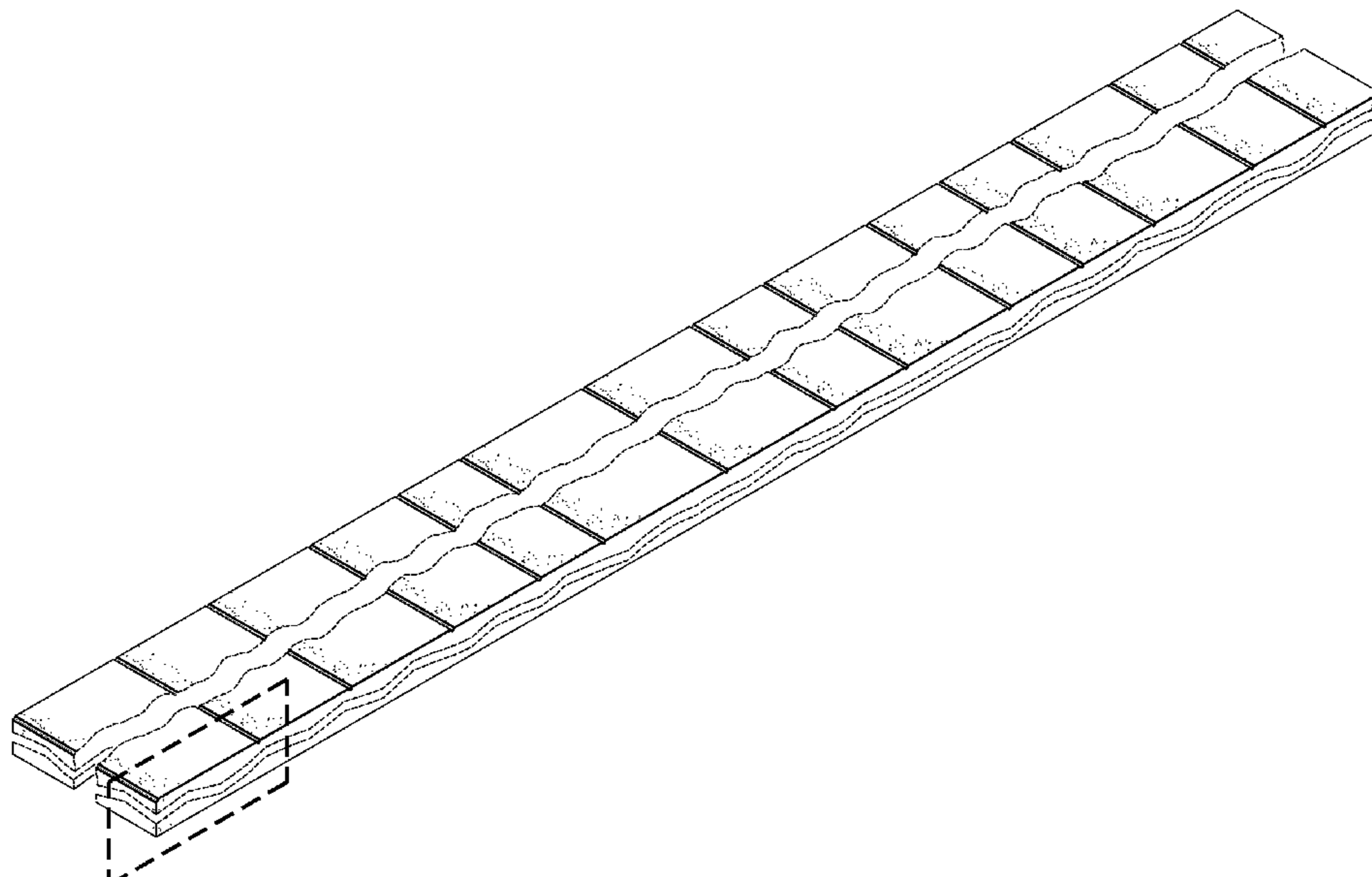
FIG. 9 is a second edge view of the fiber cement shingle plank with keyways shown in FIG. 1;

FIG. 10 is an enlarged view of the second edge view of the fiber cement shingle plank with keyways shown in FIG. 1; and,

FIG. 11 is a rear elevation view of the fiber cement shingle plank with keyways shown in FIG. 1.

For FIGS. 1–11, broken lines are for illustrative purposes only, showing the environment, indicating indeterminate length, do not indicate boundaries of the claimed design and form no part of the claimed design.

1 Claim, 5 Drawing Sheets



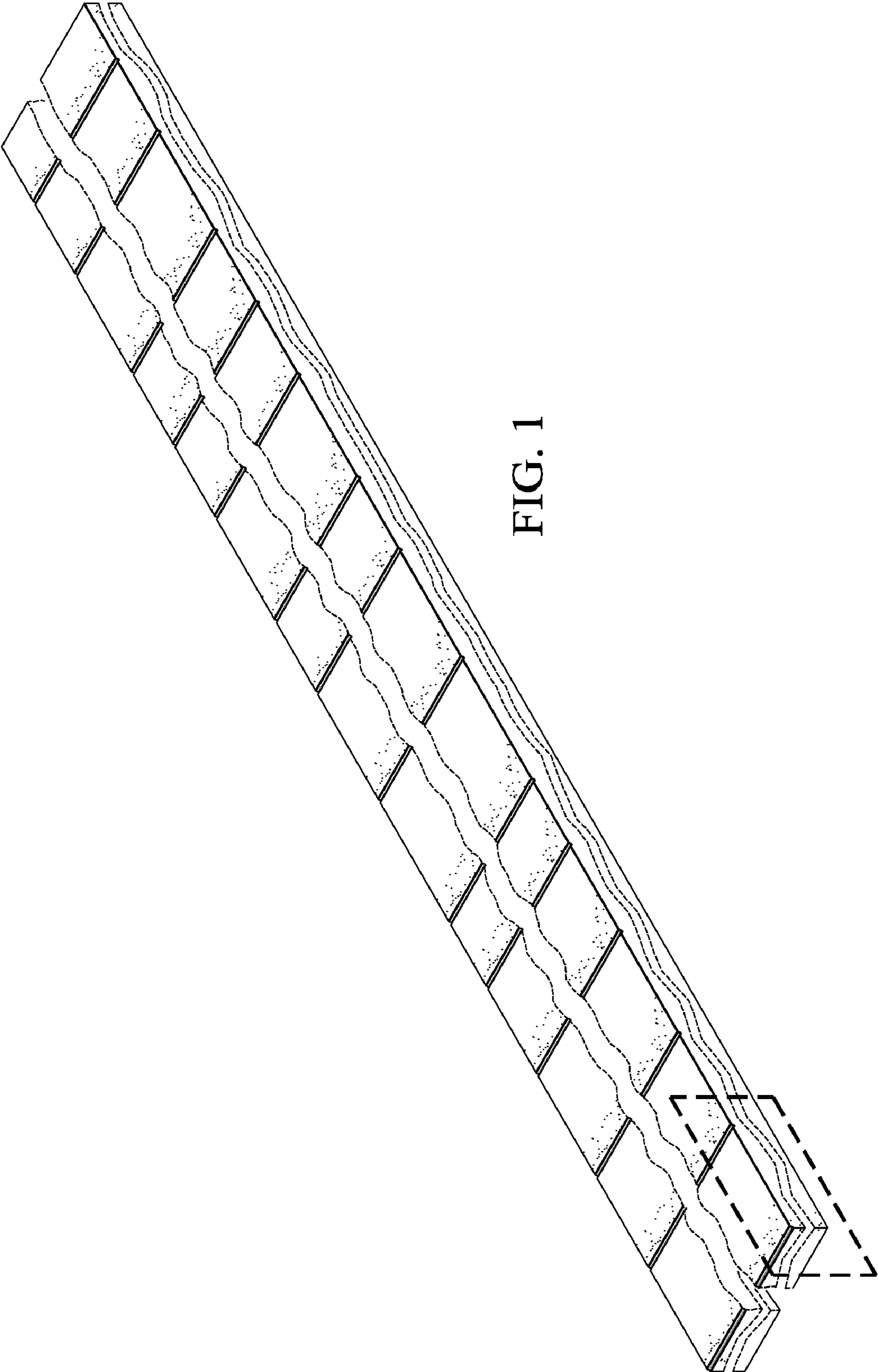


FIG. 1

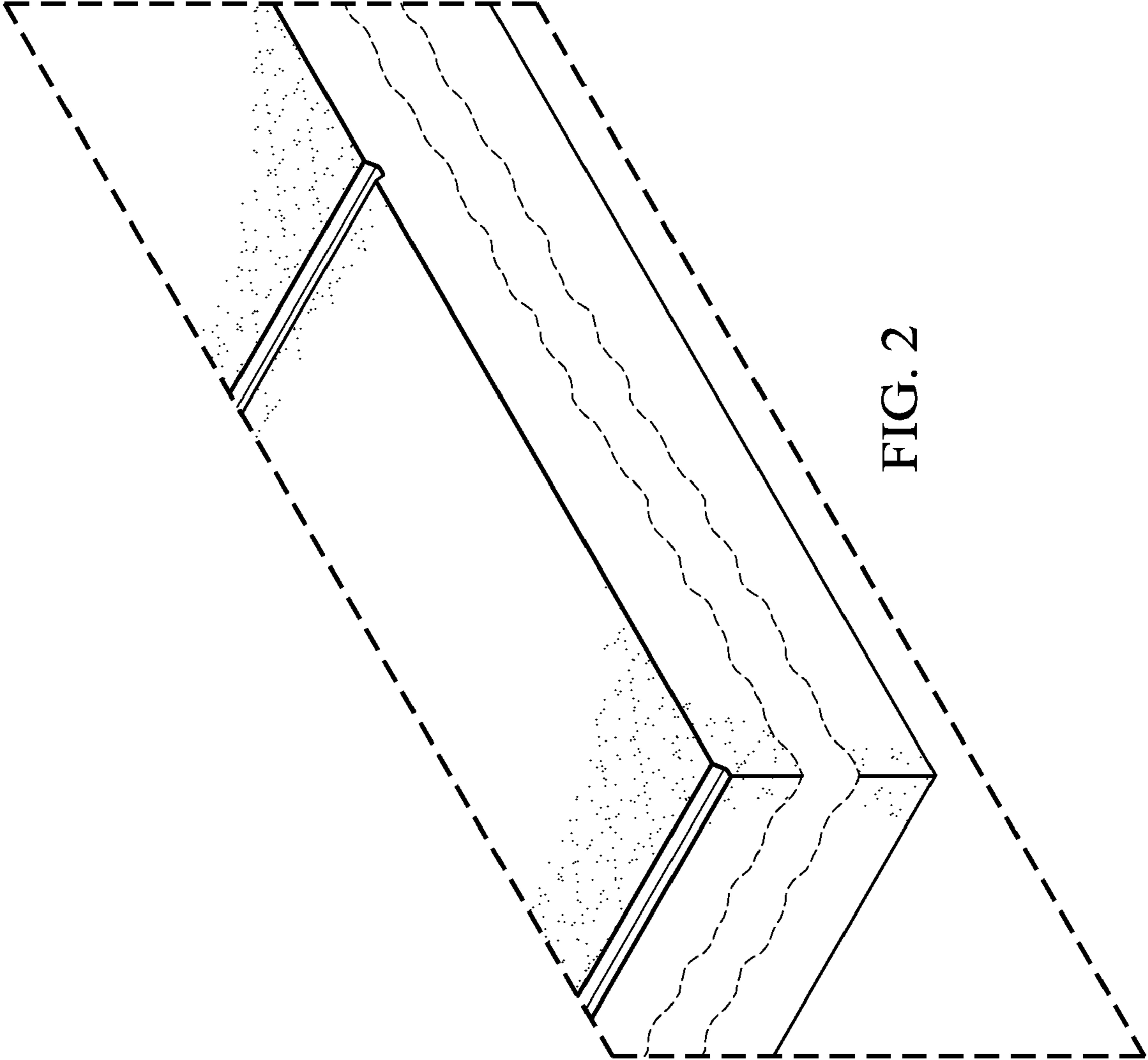


FIG. 2

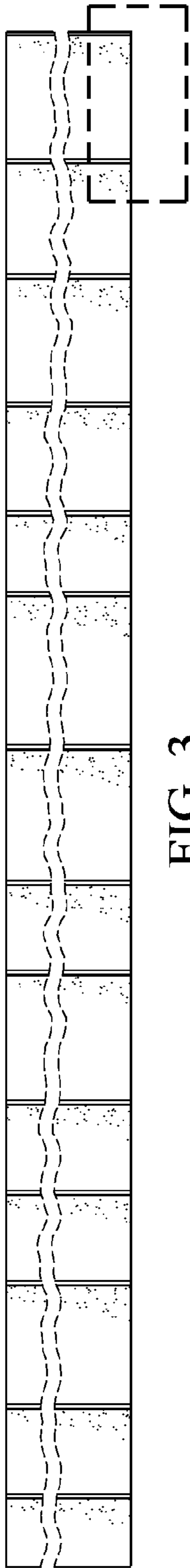


FIG. 3

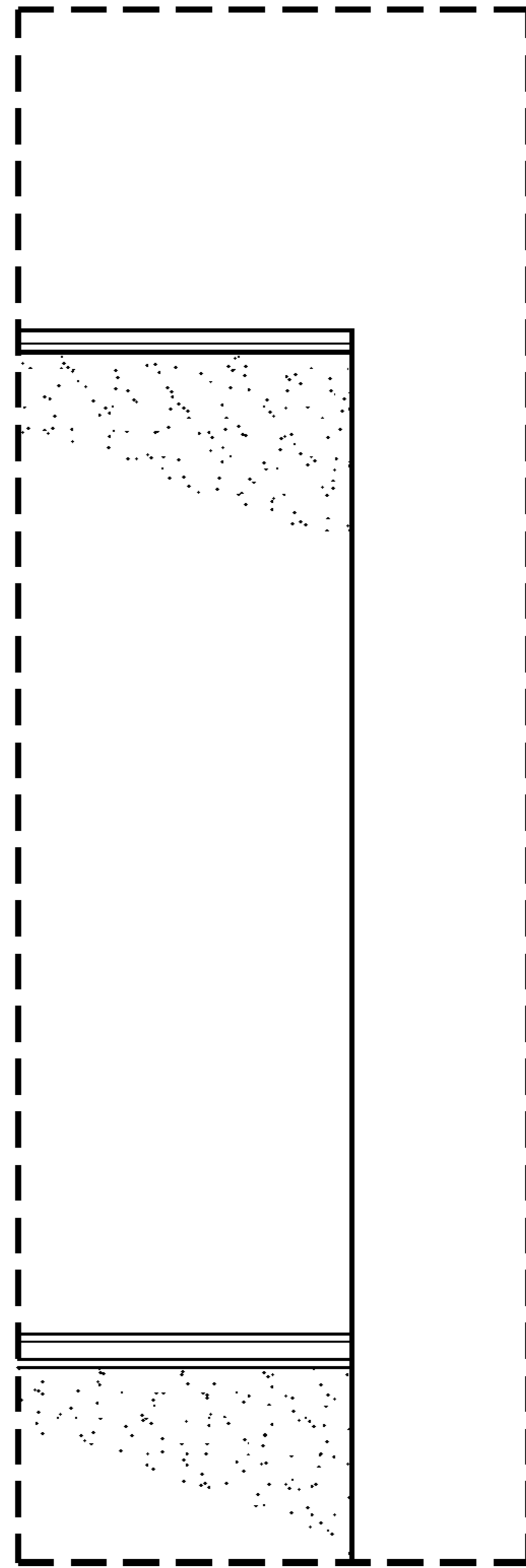


FIG. 4

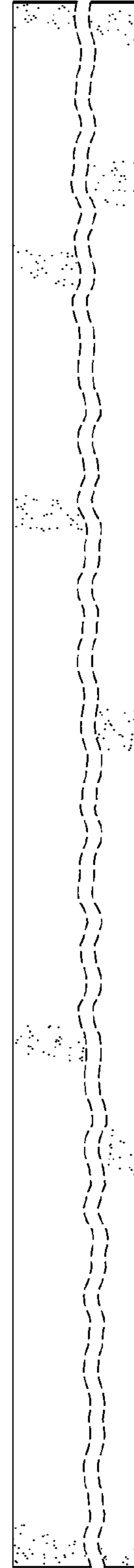


FIG. 11

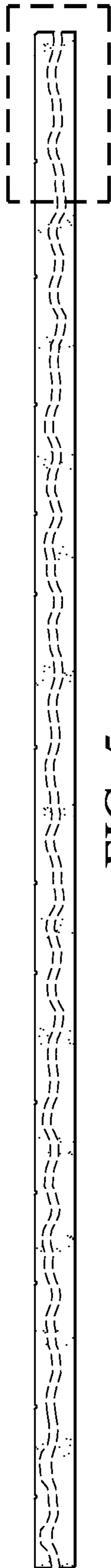


FIG. 5

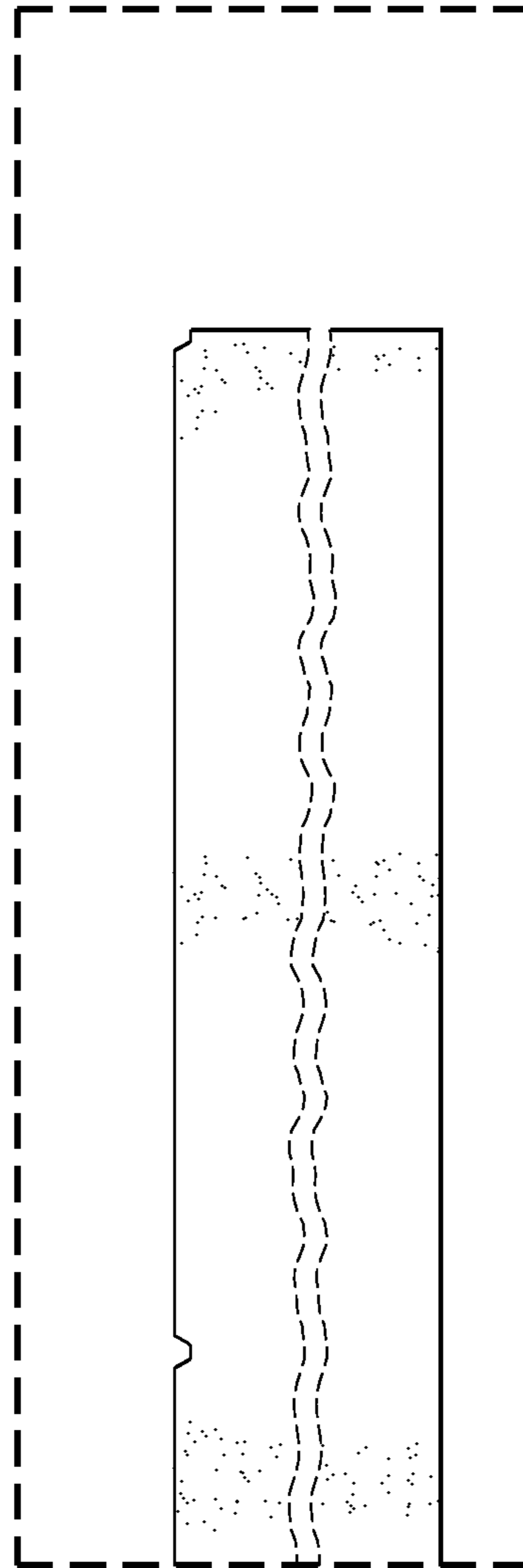


FIG. 6

FIG. 7

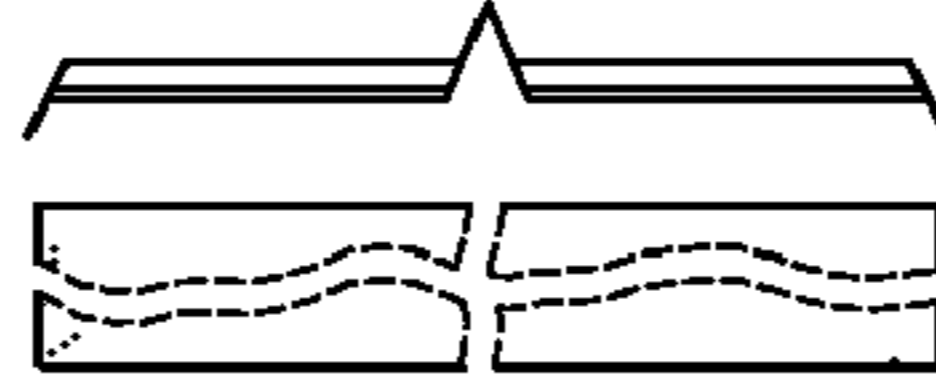


FIG. 8

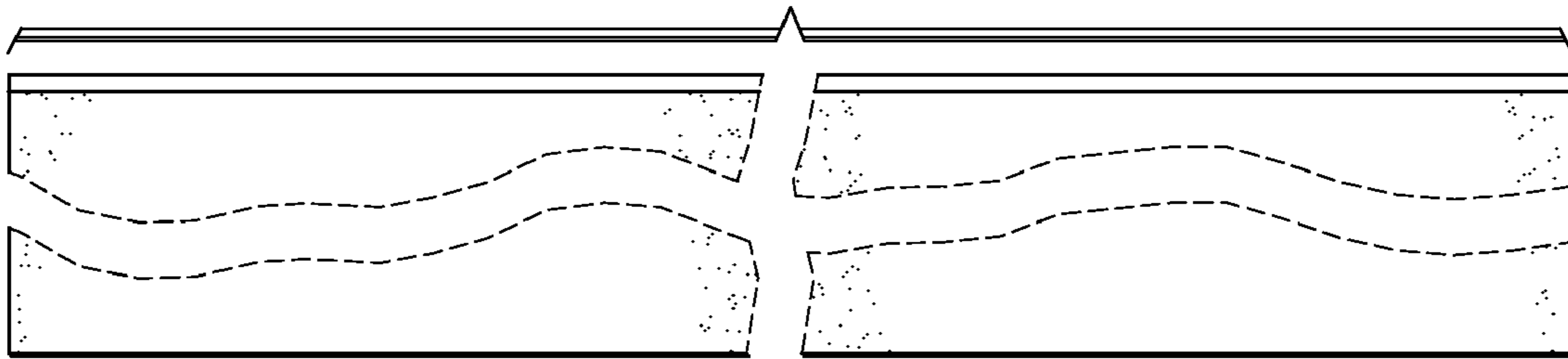


FIG. 9

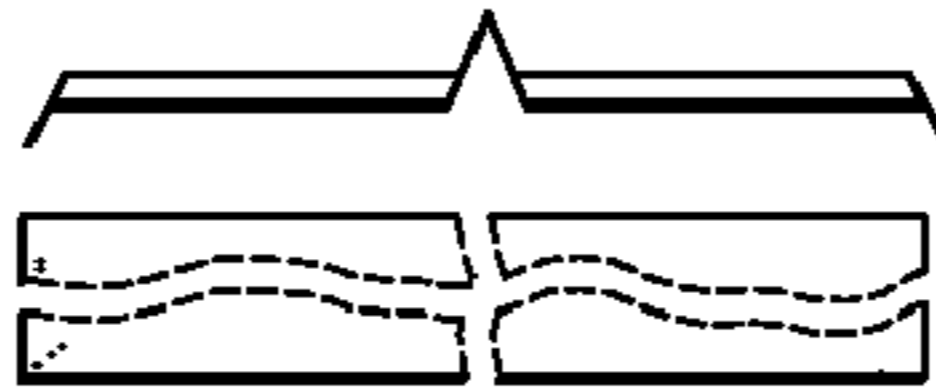


FIG. 10

