



US00D612519S

(12) **United States Design Patent**  
**Brabeck et al.**

(10) **Patent No.:** **US D612,519 S**  
(45) **Date of Patent:** **\*\* Mar. 23, 2010**

(54) **SCREEN FRAME SECTION**

(75) Inventors: **Steven John Brabeck**, Ormeau (AU);  
**Peter Bouma**, Ormeau (AU)

(73) Assignee: **IPH International Pty Ltd.**, Ormeau,  
Queensland (AU)

(\*\*) Term: **14 Years**

(21) Appl. No.: **29/334,243**

(22) Filed: **Mar. 23, 2009**

(51) **LOC (9) Cl.** ..... **25-01**

(52) **U.S. Cl.** ..... **D25/125; D25/119; D25/124**

(58) **Field of Classification Search** ..... D25/119,  
D25/124, 125; 160/371, 377, 383, 390, 380,  
160/381, 395, 399, 402; 296/146.1  
See application file for complete search history.

(56) **References Cited**

**U.S. PATENT DOCUMENTS**

4,932,457	A *	6/1990	Duncan	.....	160/380
5,904,200	A *	5/1999	Agen	.....	160/391
6,079,475	A *	6/2000	Morgan et al.	.....	160/371
6,505,669	B2 *	1/2003	Lilie et al.	.....	160/371
D492,797	S *	7/2004	Simko et al.	.....	D25/125
D497,010	S	10/2004	Brabeck		

D498,003	S	11/2004	Brabeck		
D550,863	S	9/2007	Brabeck		
7,537,043	B2 *	5/2009	Veivers et al.	.....	160/380
2003/0131954	A1 *	7/2003	Taylor et al.	.....	160/371
2003/0196770	A1 *	10/2003	Wylie	.....	160/371

\* cited by examiner

*Primary Examiner*—Doris Clark  
(74) *Attorney, Agent, or Firm*—Workman Nydegger

(57) **CLAIM**

The ornamental design for a screen frame section, as shown and described.

**DESCRIPTION**

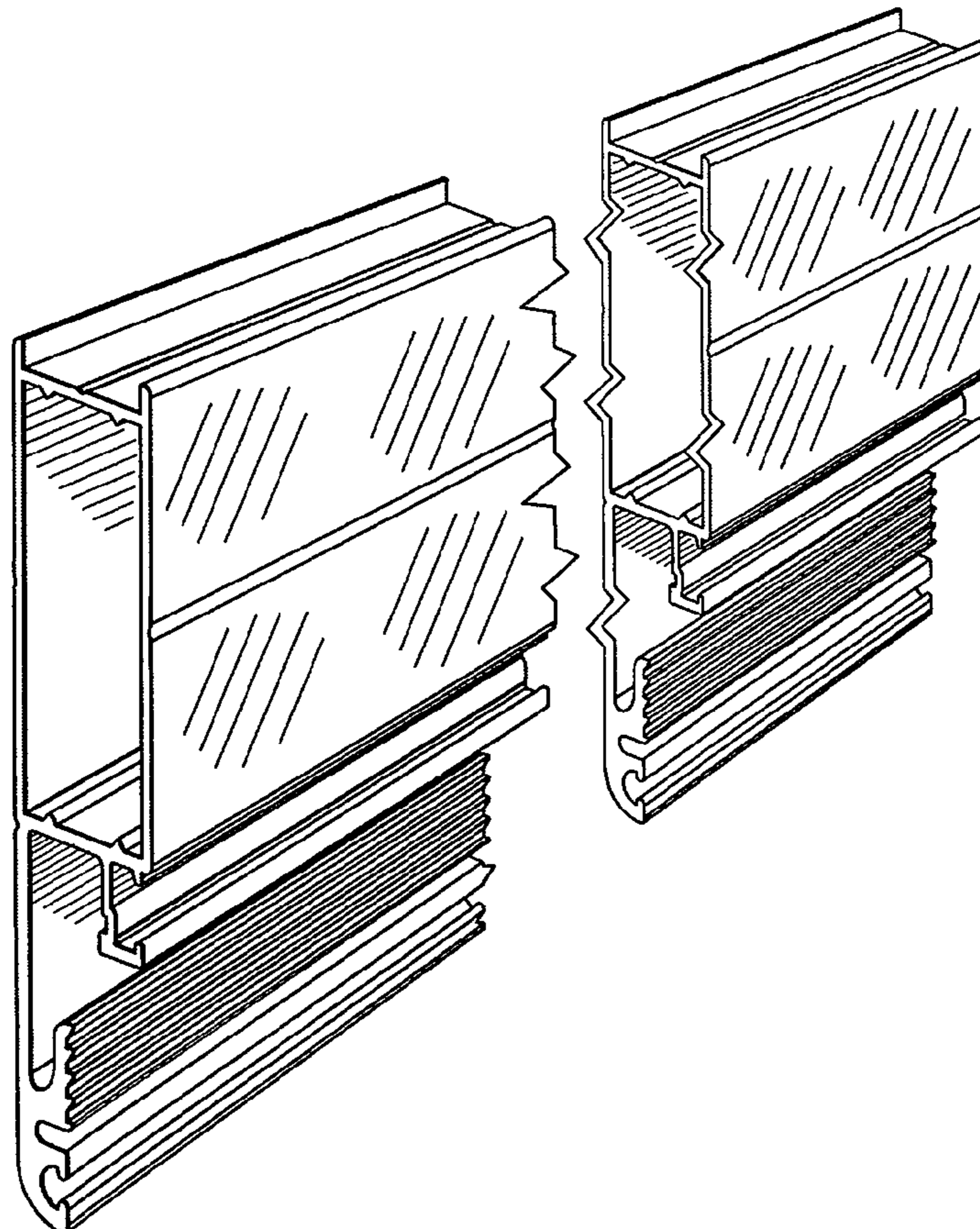
FIG. 1 is an end view of a screen frame section showing our new design;

FIG. 2 is an inverted perspective view of the screen frame section shown in FIG. 1 showing the left side view and the bottom view thereof; and,

FIG. 3 is a perspective view of the screen frame section shown in FIG. 1 showing the right side view and the top view thereof.

The end view not shown is a mirror image of the end shown in FIG. 1 and the section is of indefinite length.

**1 Claim, 1 Drawing Sheet**



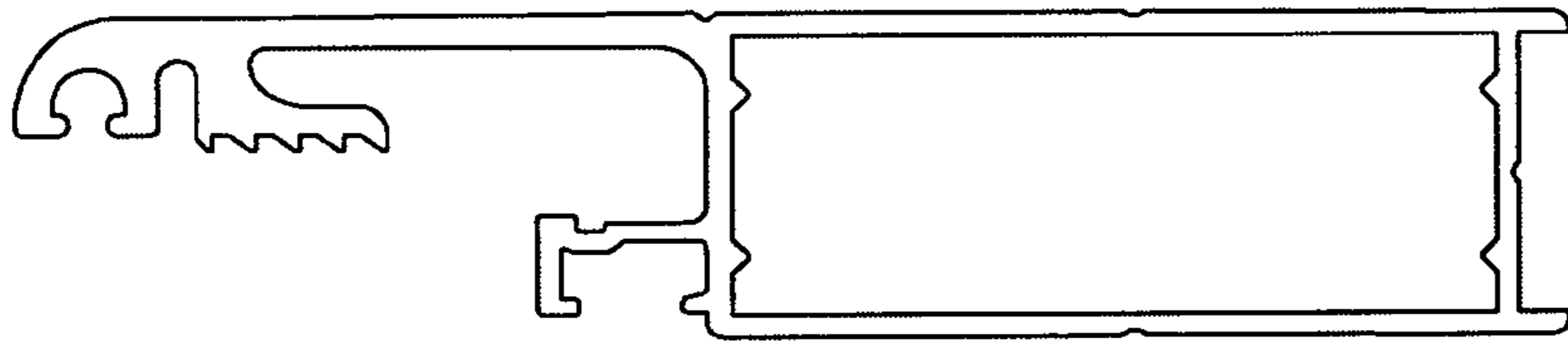


Fig. 1

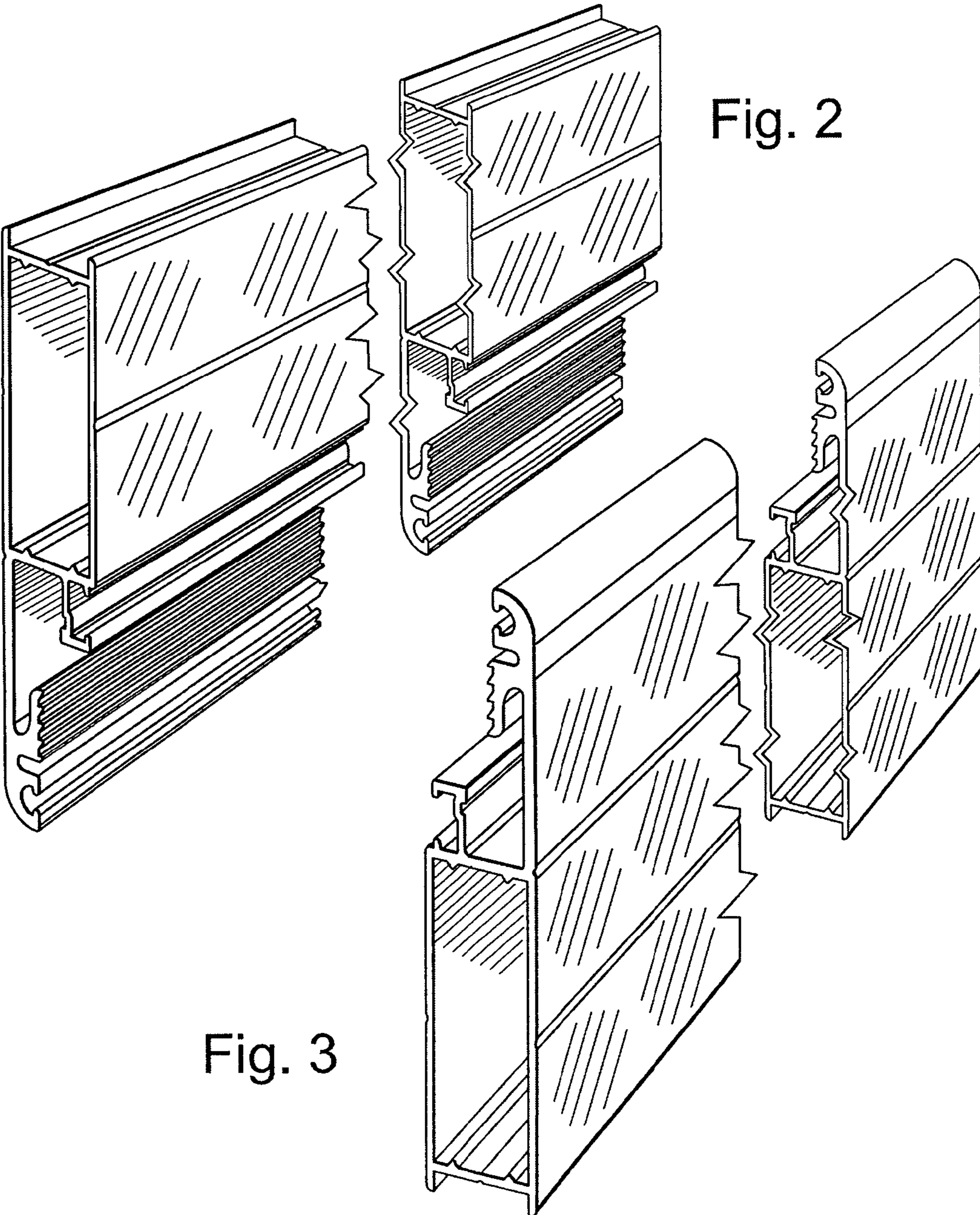


Fig. 2

Fig. 3